

Liftcrane Boom Capacities

Boom No. 44 With Heavy Lift Top
167,000 Lb. Counterweight
Crawler Machine on a Static Barge
0 Degree thru 3 Degree Static Machine List
No Travel - 360 Degree Rating

LIFTING CAPACITIES: Lifting capacities are for a crawler machine when operating on a static barge. Machine shall be positively secured to prevent shifting. Lifting capacities for various boom lengths and operating radii are for freely suspended loads and do not exceed 75% of a static tipping load. Capacities based on structural competence are denoted by an asterisk (*).

Upper boom point capacity for liftcrane service with single part whip line is 30,000 Lbs. or 60,000 Lbs. with two part whip line. In all cases, upper boom point capacities cannot exceed those listed for main boom capacity.

250 Ft. and 260 Ft. boom lengths require only the middle three sheaves to be used on lower boom point. All other sheaves must be removed from lower boom point.

Weight of all load blocks, hooks, weight ball, slings, hoist lines, etc., beneath boom point sheaves, is considered part of main boom load. Boom is not to be lowered beyond radii where combined weights are greater than rated capacity. Where no capacity is shown, operation is not intended or approved.

OPERATING CONDITIONS: Machine to operate on a firm uniformly supporting surface with gantry up and machine

list not to exceed degrees noted with exception of 0 degree machine list which must not exceed 0.5 degrees. Refer to boom rigging **No. 172610** or **No. 179809**, Wire Rope Specification chart **No. 7581-A**, and Counterweight Arrangement chart **No. 7692-A**. Crane operator judgment must be used to allow for dynamic load effects of swinging, hoisting or lowering, wind conditions, as well as adverse operating conditions and physical machine depreciation. Refer to operators manual for operating guidelines.

OPERATING RADIUS: Operating radius is horizontal distance from axis of rotation at barge deck to center of vertical hoist line or load block. Boom angle is angle between horizontal and centerline of boom butt and inserts, and is an indication of operating radius. In all cases, operating radius shall govern capacity.

BOOM POINT ELEVATION: Boom point elevation is vertical distance from barge deck to centerline of boom point shaft.

MACHINE EQUIPMENT: Machine equipped with 30 Ft. 9 in. crawlers, 48 in. treads, 28 Ft. retractable gantry, 12 part boom hoist reeving, four 1½ in. boom pendants or boom support straps and 167,000 Lb. counterweight.

Maximum Boom Length Lifted Unassisted Over Front, Side or Rear of Crawlers	
List	Boom Length
0 Degree	260 Ft.
1 Degree	260 Ft.
2 Degree	260 Ft.
3 Degree	260 Ft.
Load block, hook and weight ball on barge deck at start. Jib is not to be used on crawler machine while operating on a barge.	

Liftcrane Boom Capacities

Boom No. 44 With Heavy Lift Top
167,000 Lb. Counterweight
Crawler Machine on a Static Barge
0 Degree thru 3 Degree Static Machine List
No Travel - 360 Degree Rating

Oper. Radius Feet	Boom Angle Deg.	Boom Point Elev. Feet	0 Degree List Boom Capacity Pounds	1 Degree List Boom Capacity Pounds	2 Degree List Boom Capacity Pounds	3 Degree List Boom Capacity Pounds	Oper. Radius Feet
70 Ft. BOOM							
18	82.9	77.1	551,200 *				18
19	82.1	76.9	547,900 *				19
20	81.3	76.8	545,600 *	447,800 *			20
21	80.4	76.5	527,000 *	447,800 *	324,500 *		21
22	79.6	76.3	504,500 *	447,800 *	324,500 *	253,300 *	22
23	78.8	76.1	483,800 *	447,800 *	324,500 *	253,300 *	23
24	77.9	75.8	464,700 *	428,500	324,500 *	253,300 *	24
25	77.1	75.6	441,600	399,000	324,500 *	253,300 *	25
26	76.2	75.3	410,500	373,200	324,500 *	253,300 *	26
27	75.4	75.0	383,300	350,500	322,400	253,300 *	27
28	74.5	74.7	359,400	330,200	305,100	253,300 *	28
29	73.7	74.4	338,200	312,100	289,500	253,300 *	29
30	72.8	74.0	319,300	295,900	275,400	253,300 *	30
32	71.0	73.3	287,000	267,700	250,700	235,400	32
34	69.3	72.4	260,400	244,300	229,900	216,900	34
36	67.5	71.6	238,100	224,400	212,200	201,000	36
38	65.7	70.6	219,100	207,400	196,800	187,100	38
40	63.8	69.5	202,800	192,700	183,500	175,000	40
42	61.9	68.4	188,600	179,800	171,700	164,200	42
44	60.0	67.2	176,200	168,400	161,300	154,600	44
46	58.1	65.9	165,100	158,300	152,000	146,000	46
48	56.1	64.5	155,300	149,200	143,600	138,300	48
50	54.0	62.9	146,500	141,100	136,000	131,300	50
55	48.6	58.6	128,100	123,900	120,000	116,300	55
60	42.6	53.2	113,400	110,100	107,100	104,300	60
65	35.8	46.6	101,400	98,900	96,600	94,400	65
70	27.4	37.6	91,500	89,500	87,800	86,100	70

Liftcrane Boom Capacities

Boom No. 44 With Heavy Lift Top
167,000 Lb. Counterweight
Crawler Machine on a Static Barge
0 Degree thru 3 Degree Static Machine List
No Travel - 360 Degree Rating

Oper. Radius Feet	Boom Angle Deg.	Boom Point Elev. Feet	0 Degree List Boom Capacity Pounds	1 Degree List Boom Capacity Pounds	2 Degree List Boom Capacity Pounds	3 Degree List Boom Capacity Pounds	Oper. Radius Feet
80 Ft. BOOM							
20	82.4	86.9	526,400 *				20
21	81.7	86.7	523,600 *	430,000 *			21
22	80.9	86.5	503,500 *	428,100 *	317,700 *		22
23	80.2	86.3	482,900 *	425,700 *	317,700 *		23
24	79.5	86.1	463,800 *	422,100 *	317,700 *	249,100 *	24
25	78.7	85.9	441,600	394,000	317,700 *	249,100 *	25
26	78.0	85.6	410,400	368,800	317,700 *	249,100 *	26
27	77.3	85.4	383,200	346,500	315,700	249,100 *	27
28	76.5	85.1	359,300	326,600	299,000	249,100 *	28
29	75.8	84.8	338,100	308,900	283,900	249,100 *	29
30	75.0	84.5	319,200	292,800	270,200	249,100 *	30
32	73.5	83.9	286,800	265,100	246,300	229,600	32
34	72.0	83.2	260,200	242,000	226,000	211,800	34
36	70.5	82.4	237,800	222,400	208,800	196,400	36
38	68.9	81.6	218,800	205,600	193,800	183,000	38
40	67.3	80.7	202,500	191,000	180,700	171,300	40
42	65.8	79.8	188,300	178,300	169,200	160,800	42
44	64.2	78.7	175,900	167,000	158,900	151,500	44
46	62.5	77.6	164,800	156,900	149,800	143,100	46
48	60.9	76.5	155,000	148,000	141,600	135,600	48
50	59.2	75.2	146,200	139,900	134,100	128,700	50
55	54.8	71.7	127,700	122,800	118,300	114,100	55
60	50.2	67.6	113,000	109,100	105,600	102,200	60
65	45.1	62.7	101,100	97,900	95,100	92,400	65
70	39.6	56.8	91,100	88,600	86,300	84,100	70
75	33.3	49.4	82,700	80,700	78,900	77,200	75
80	25.4	39.7	75,600	74,000	72,600	71,200	80

Liftcrane Boom Capacities

Boom No. 44 With Heavy Lift Top
167,000 Lb. Counterweight
Crawler Machine on a Static Barge
0 Degree thru 3 Degree Static Machine List
No Travel - 360 Degree Rating

Oper. Radius Feet	Boom Angle Deg.	Boom Point Elev. Feet	0 Degree List Boom Capacity Pounds	1 Degree List Boom Capacity Pounds	2 Degree List Boom Capacity Pounds	3 Degree List Boom Capacity Pounds	Oper. Radius Feet
90 Ft. BOOM							
21	82.6	96.9	498,600 *				21
22	81.9	96.7	495,600 *	401,500 *			22
23	81.3	96.5	482,200 *	398,100 *			23
24	80.6	96.3	463,200 *	394,800 *	310,300 *		24
25	80.0	96.1	441,700	389,300	310,300 *	244,300 *	25
26	79.3	95.9	410,500	364,600	310,300 *	244,300 *	26
27	78.7	95.7	383,300	342,700	309,400	244,300 *	27
28	78.0	95.4	359,300	323,300	293,300	244,300 *	28
29	77.4	95.2	338,100	305,800	278,700	244,300 *	29
30	76.7	94.9	319,100	290,000	265,400	244,200	30
32	75.4	94.4	286,700	262,800	242,200	224,200	32
34	74.1	93.7	260,100	240,000	222,500	207,100	34
36	72.7	93.1	237,700	220,600	205,700	192,300	36
38	71.4	92.4	218,700	204,000	191,000	179,400	38
40	70.0	91.6	202,400	189,600	178,200	167,900	40
42	68.6	90.8	188,200	177,000	166,900	157,800	42
44	67.2	89.9	175,700	165,800	156,900	148,700	44
46	65.8	88.9	164,700	155,900	147,900	140,600	46
48	64.4	87.9	154,800	147,000	139,800	133,200	48
50	63.0	86.8	146,000	138,900	132,500	126,500	50
55	59.3	83.9	127,500	122,000	116,900	112,200	55
60	55.4	80.4	112,800	108,400	104,400	100,500	60
65	51.3	76.5	100,900	97,300	94,000	90,900	65
70	47.0	71.8	90,900	88,000	85,300	82,700	70
75	42.3	66.5	82,600	80,100	77,900	75,800	75
80	37.1	60.0	75,400	73,400	71,600	69,800	80
85	31.2	52.1	69,200	67,600	66,100	64,700	85

Liftcrane Boom Capacities

Boom No. 44 With Heavy Lift Top
167,000 Lb. Counterweight
Crawler Machine on a Static Barge
0 Degree thru 3 Degree Static Machine List
No Travel - 360 Degree Rating

Oper. Radius Feet	Boom Angle Deg.	Boom Point Elev. Feet	0 Degree List Boom Capacity Pounds	1 Degree List Boom Capacity Pounds	2 Degree List Boom Capacity Pounds	3 Degree List Boom Capacity Pounds	Oper. Radius Feet
100 Ft. BOOM							
22	82.8	106.8	479,300 *				22
23	82.2	106.7	476,300 *				23
24	81.6	106.5	462,200 *	369,900 *			24
25	81.0	106.3	441,500	366,900 *	302,000 *		25
26	80.4	106.1	410,300	360,300	302,000 *		26
27	79.8	105.9	383,100	338,800	301,900 *	238,900 *	27
28	79.3	105.7	359,100	319,700	287,500	238,900 *	28
29	78.7	105.5	337,800	302,500	273,400	238,900 *	29
30	78.1	105.2	318,900	287,000	260,500	238,000	30
32	76.9	104.7	286,400	260,200	238,000	218,800	32
34	75.7	104.2	259,700	237,700	218,800	202,400	34
36	74.5	103.6	237,300	218,600	202,400	188,100	36
38	73.3	103.0	218,300	202,200	188,100	175,500	38
40	72.1	102.3	202,000	187,900	175,500	164,400	40
42	70.9	101.5	187,700	175,400	164,500	154,600	42
44	69.7	100.8	175,300	164,300	154,600	145,800	44
46	68.4	99.9	164,200	154,500	145,800	137,800	46
48	67.2	99.0	154,400	145,700	137,800	130,600	48
50	65.9	98.1	145,600	137,700	130,600	124,100	50
55	62.7	95.5	127,000	120,900	115,300	110,100	55
60	59.3	92.5	112,300	107,400	102,900	98,600	60
65	55.9	89.2	100,400	96,300	92,600	89,100	65
70	52.3	85.3	90,400	87,100	84,000	81,100	70
75	48.5	80.9	82,000	79,200	76,700	74,200	75
80	44.4	75.9	74,900	72,500	70,400	68,300	80
85	40.0	70.0	68,700	66,700	64,900	63,200	85
90	35.1	63.1	63,300	61,600	60,100	58,600	90
95	29.5	54.7	58,500	57,100	55,900	54,700	95

Liftcrane Boom Capacities

Boom No. 44 With Heavy Lift Top
167,000 Lb. Counterweight
Crawler Machine on a Static Barge
0 Degree thru 3 Degree Static Machine List
No Travel - 360 Degree Rating

Oper. Radius Feet	Boom Angle Deg.	Boom Point Elev. Feet	0 Degree List Boom Capacity Pounds	1 Degree List Boom Capacity Pounds	2 Degree List Boom Capacity Pounds	3 Degree List Boom Capacity Pounds	Oper. Radius Feet
110 Ft. BOOM							
23	82.9	116.8	374,400 *				23
24	82.4	116.6	371,800 *				24
25	81.8	116.5	369,400 *	301,600 *			25
26	81.3	116.3	367,000 *	300,000 *			26
27	80.8	116.1	364,700 *	298,500 *	265,200 *		27
28	80.3	115.9	358,900	297,000 *	264,000 *		28
29	79.7	115.7	337,700	295,600 *	262,900 *	230,800 *	29
30	79.2	115.5	318,700	284,200	255,900	230,800 *	30
32	78.1	115.0	286,200	257,800	234,000	213,800	32
34	77.0	114.6	259,500	235,600	215,400	197,900	34
36	76.0	114.0	237,100	216,700	199,300	184,100	36
38	74.9	113.4	218,100	200,500	185,300	172,000	38
40	73.8	112.8	201,700	186,400	173,100	161,300	40
42	72.7	112.2	187,400	174,000	162,200	151,700	42
44	71.6	111.5	175,000	163,100	152,600	143,100	44
46	70.5	110.7	163,900	153,300	143,900	135,400	46
48	69.4	109.9	154,100	144,600	136,100	128,300	48
50	68.2	109.1	145,200	136,700	129,000	121,900	50
55	65.4	106.8	126,700	120,000	113,900	108,200	55
60	62.4	104.2	112,000	106,500	101,600	97,000	60
65	59.4	101.2	100,000	95,500	91,500	87,600	65
70	56.3	97.9	90,100	86,300	82,900	79,700	70
75	53.0	94.1	81,700	78,500	75,700	73,000	75
80	49.6	89.9	74,500	71,900	69,400	67,100	80
85	46.0	85.1	68,300	66,000	64,000	62,000	85
90	42.2	79.7	62,900	61,000	59,200	57,500	90
95	38.0	73.4	58,100	56,500	55,000	53,500	95
100	33.3	66.0	53,900	52,500	51,200	50,000	100
105	28.0	57.1	50,100	48,900	47,900	46,800	105

Liftcrane Boom Capacities

Boom No. 44 With Heavy Lift Top
167,000 Lb. Counterweight
Crawler Machine on a Static Barge
0 Degree thru 3 Degree Static Machine List
No Travel - 360 Degree Rating

Oper. Radius Feet	Boom Angle Deg.	Boom Point Elev. Feet	0 Degree List Boom Capacity Pounds	1 Degree List Boom Capacity Pounds	2 Degree List Boom Capacity Pounds	3 Degree List Boom Capacity Pounds	Oper. Radius Feet
120 Ft. BOOM							
24	83.0	126.8	363,700 *				24
25	82.5	126.6	361,400 *				25
26	82.0	126.4	359,200 *	293,200 *			26
27	81.6	126.3	357,000 *	291,800 *			27
28	81.1	126.1	354,900 *	290,400 *			28
29	80.6	125.9	337,300	289,000 *	257,100 *		29
30	80.1	125.7	318,300	281,200	251,300		30
32	79.1	125.3	285,800	255,200	230,000	208,800	32
34	78.1	124.8	259,100	233,300	211,800	193,500	34
36	77.2	124.4	236,700	214,700	196,100	180,100	36
38	76.2	123.8	217,600	198,700	182,500	168,400	38
40	75.2	123.3	201,200	184,700	170,500	157,900	40
42	74.2	122.7	187,000	172,500	159,800	148,600	42
44	73.2	122.0	174,500	161,600	150,300	140,300	44
46	72.2	121.4	163,400	151,900	141,800	132,700	46
48	71.2	120.6	153,500	143,200	134,100	125,900	48
50	70.1	119.9	144,700	135,400	127,100	119,600	50
55	67.6	117.8	126,200	118,800	112,200	106,200	55
60	64.9	115.5	111,400	105,500	100,100	95,100	60
65	62.2	112.8	99,400	94,500	90,100	86,000	65
70	59.5	109.9	89,500	85,400	81,700	78,200	70
75	56.6	106.6	81,100	77,600	74,500	71,500	75
80	53.6	102.9	73,900	71,000	68,300	65,700	80
85	50.6	98.8	67,700	65,200	62,900	60,700	85
90	47.3	94.2	62,300	60,100	58,100	56,200	90
95	43.9	89.1	57,500	55,600	53,900	52,200	95
100	40.2	83.3	53,300	51,600	50,100	48,700	100
105	36.2	76.6	49,500	48,100	46,800	45,500	105
110	31.8	68.8	46,100	44,800	43,800	42,700	110
115	26.7	59.3	43,000	41,900	41,000	40,100	115

Liftcrane Boom Capacities

Boom No. 44 With Heavy Lift Top
167,000 Lb. Counterweight
Crawler Machine on a Static Barge
0 Degree thru 3 Degree Static Machine List
No Travel - 360 Degree Rating

Oper. Radius Feet	Boom Angle Deg.	Boom Point Elev. Feet	0 Degree List Boom Capacity Pounds	1 Degree List Boom Capacity Pounds	2 Degree List Boom Capacity Pounds	3 Degree List Boom Capacity Pounds	Oper. Radius Feet
130 Ft. BOOM							
26	82.7	136.6	350,700 *				26
27	82.2	136.4	348,700 *				27
28	81.8	136.2	346,700 *	283,300 *			28
29	81.3	136.1	337,400	282,000 *			29
30	80.9	135.9	318,300	278,700	245,300 *		30
32	80.0	135.5	285,800	253,100	226,500	204,400	32
34	79.1	135.1	259,100	231,500	208,800	189,600	34
36	78.2	134.6	236,600	213,200	193,500	176,700	36
38	77.3	134.2	217,600	197,300	180,100	165,300	38
40	76.4	133.6	201,200	183,500	168,400	155,200	40
42	75.4	133.1	186,900	171,400	158,000	146,200	42
44	74.5	132.5	174,400	160,600	148,600	138,000	44
46	73.6	131.9	163,300	151,000	140,300	130,700	46
48	72.7	131.2	153,500	142,400	132,700	124,000	48
50	71.7	130.5	144,600	134,700	125,800	117,900	50
55	69.4	128.7	126,100	118,200	111,100	104,700	55
60	67.0	126.5	111,300	104,900	99,200	93,900	60
65	64.5	124.1	99,300	94,100	89,300	84,900	65
70	62.1	121.5	89,400	85,000	81,000	77,200	70
75	59.5	118.5	81,000	77,200	73,800	70,600	75
80	56.9	115.3	73,800	70,600	67,700	64,900	80
85	54.2	111.7	67,600	64,800	62,300	59,900	85
90	51.3	107.7	62,200	59,800	57,600	55,500	90
95	48.4	103.3	57,400	55,300	53,400	51,600	95
100	45.3	98.4	53,200	51,400	49,700	48,100	100
105	42.0	92.9	49,400	47,800	46,300	44,900	105
110	38.5	86.7	46,000	44,600	43,300	42,100	110
115	34.7	79.7	42,900	41,700	40,600	39,500	115
120	30.5	71.5	40,100	39,000	38,100	37,200	120
125	25.6	61.5	37,600	36,600	35,800	35,000	125



Liftcrane Boom Capacities

Boom No. 44 With Heavy Lift Top
 167,000 Lb. Counterweight
 Crawler Machine on a Static Barge
 0 Degree thru 3 Degree Static Machine List
 No Travel - 360 Degree Rating

Oper. Radius Feet	Boom Angle Deg.	Boom Point Elev. Feet	0 Degree List Boom Capacity Pounds	1 Degree List Boom Capacity Pounds	2 Degree List Boom Capacity Pounds	3 Degree List Boom Capacity Pounds	Oper. Radius Feet
140 Ft. BOOM							
27	82.8	146.5	341,800 *				27
28	82.4	146.4	340,000 *				28
29	81.9	146.2	337,000	275,900 *			29
30	81.5	146.0	318,000	274,700 *			30
32	80.7	145.7	285,400		222,600		32
34	79.9	145.3	258,600	229,300	205,400	185,500	34
36	79.0	144.9	236,200	211,100	190,400	173,000	36
38	78.2	144.4	217,100	195,500	177,400	161,900	38
40	77.4	144.0	200,700	181,800	165,900	152,100	40
42	76.5	143.5	186,400	169,800	155,600	143,300	42
44	75.7	142.9	173,900	159,200	146,500	135,300	44
46	74.8	142.3	162,800	149,600	138,200	128,200	46
48	74.0	141.7	152,900	141,100	130,800	121,600	48
50	73.1	141.1	144,100	133,400	124,000	115,600	50
55	70.9	139.4	125,500	117,000	109,500	102,700	55
60	68.7	137.4	110,700	103,900	97,700	92,100	60
65	66.5	135.2	98,700	93,100	88,000	83,200	65
70	64.2	132.8	88,800	84,000	79,700	75,700	70
75	61.9	130.1	80,400	76,300	72,600	69,200	75
80	59.5	127.2	73,200	69,700	66,600	63,600	80
85	57.1	124.0	67,000	64,000	61,200	58,600	85
90	54.6	120.4	61,600	58,900	56,500	54,300	90
95	52.0	116.5	56,800	54,500	52,400	50,400	95
100	49.3	112.2	52,500	50,500	48,700	46,900	100
105	46.5	107.5	48,800	47,000	45,300	43,800	105
110	43.5	102.3	45,400	43,800	42,300	40,900	110
115	40.4	96.5	42,300	40,900	39,600	38,400	115
120	37.0	90.0	39,500	38,200	37,100	36,000	120
125	33.4	82.6	36,900	35,800	34,800	33,900	125
130	29.3	74.0	34,600	33,600	32,800	31,900	130

Liftcrane Boom Capacities

Boom No. 44 With Heavy Lift Top
167,000 Lb. Counterweight
Crawler Machine on a Static Barge
0 Degree thru 3 Degree Static Machine List
No Travel - 360 Degree Rating

Oper. Radius Feet	Boom Angle Deg.	Boom Point Elev. Feet	0 Degree List Boom Capacity Pounds	1 Degree List Boom Capacity Pounds	2 Degree List Boom Capacity Pounds	3 Degree List Boom Capacity Pounds	Oper. Radius Feet
150 Ft. BOOM							
28	82.9	156.5	302,400 *				28
29	82.5	156.3	300,500 *				29
30	82.1	156.2	298,600 *				30
32	81.3	155.8	285,100	223,900 *			32
34	80.6	155.5	258,300	221,800 *	191,000 *		34
36	79.8	155.1	235,800	209,300	187,500	166,600 *	36
38	79.0	154.7	216,700	193,800	174,800	158,700	38
40	78.2	154.2	200,300	180,300	163,500	149,100	40
42	77.4	153.8	186,000	168,400	153,400	140,600	42
44	76.6	153.3	173,400	157,800	144,500	132,800	44
46	75.8	152.7	162,300	148,400	136,400	125,800	46
48	75.1	152.2	152,500	139,900	129,000	119,400	48
50	74.3	151.6	143,600	132,300	122,400	113,600	50
55	72.3	150.0	125,000	116,000	108,100	101,000	55
60	70.2	148.2	110,200	103,000	96,500	90,500	60
65	68.2	146.2	98,200	92,200	86,800	81,800	65
70	66.1	143.9	88,300	83,200	78,600	74,400	70
75	63.9	141.5	79,800	75,500	71,600	68,000	75
80	61.8	138.8	72,700	69,000	65,600	62,400	80
85	59.6	135.9	66,500	63,200	60,300	57,500	85
90	57.3	132.6	61,000	58,200	55,700	53,200	90
95	55.0	129.1	56,300	53,800	51,500	49,400	95
100	52.6	125.3	52,000	49,800	47,800	45,900	100
105	50.1	121.2	48,200	46,300	44,500	42,800	105
110	47.5	116.6	44,800	43,100	41,500	40,000	110
115	44.8	111.6	41,800	40,200	38,800	37,500	115
120	42.0	106.1	39,000	37,600	36,300	35,100	120
125	38.9	100.0	36,400	35,200	34,100	33,000	125
130	35.7	93.2	34,100	33,000	32,000	31,000	130
135	32.2	85.4	31,900	30,900	30,100	29,200	135
140	28.3	76.5	29,900	29,100	28,300	27,600	140

Liftcrane Boom Capacities

Boom No. 44 With Heavy Lift Top
167,000 Lb. Counterweight
Crawler Machine on a Static Barge
0 Degree thru 3 Degree Static Machine List
No Travel - 360 Degree Rating

Oper. Radius Feet	Boom Angle Deg.	Boom Point Elev. Feet	0 Degree List Boom Capacity Pounds	1 Degree List Boom Capacity Pounds	2 Degree List Boom Capacity Pounds	3 Degree List Boom Capacity Pounds	Oper. Radius Feet
160 Ft. BOOM							
29	83.0	166.4	292,100 *				29
30	82.6	166.3	290,300 *				30
32	81.9	166.0	284,700	217,700 *			32
34	81.1	165.7	257,800	215,900 *			34
36	80.4	165.3	235,300	207,300	184,600		36
38	79.7	164.9	216,200	192,000	172,100	155,400	38
40	79.0	164.5	199,700	178,600	161,000	146,100	40
42	78.2	164.0	185,400	166,800	151,200	137,800	42
44	77.5	163.6	172,900	156,300	142,300	130,200	44
46	76.8	163.1	161,800	147,000	134,400	123,400	46
48	76.0	162.6	151,900	138,600	127,200	117,200	48
50	75.3	162.0	143,000	131,000	120,600	111,400	50
55	73.4	160.5	124,400	114,900	106,500	99,000	55
60	71.5	158.8	109,600	101,900	95,000	88,800	60
65	69.6	157.0	97,600	91,200	85,500	80,200	65
70	67.7	154.9	87,600	82,200	77,400	72,900	70
75	65.7	152.6	79,200	74,600	70,400	66,600	75
80	63.7	150.2	72,000	68,000	64,500	61,100	80
85	61.7	147.5	65,800	62,300	59,200	56,300	85
90	59.6	144.5	60,400	57,300	54,600	52,000	90
95	57.5	141.3	55,600	52,900	50,500	48,200	95
100	55.3	137.9	51,300	49,000	46,800	44,800	100
105	53.1	134.1	47,600	45,400	43,500	41,700	105
110	50.7	130.1	44,200	42,300	40,600	38,900	110
115	48.4	125.6	41,100	39,400	37,800	36,400	115
120	45.9	120.8	38,300	36,700	35,400	34,100	120
125	43.3	115.6	35,700	34,300	33,100	31,900	125
130	40.5	109.8	33,400	32,100	31,000	30,000	130
135	37.6	103.4	31,200	30,100	29,100	28,200	135
140	34.5	96.2	29,300	28,200	27,400	26,500	140
145	31.1	88.2	27,400	26,500	25,700	25,000	145
150	27.3	78.8	25,700	24,900	24,200	23,500	150

Liftcrane Boom Capacities

Boom No. 44 With Heavy Lift Top
167,000 Lb. Counterweight
Crawler Machine on a Static Barge
0 Degree thru 3 Degree Static Machine List
No Travel - 360 Degree Rating

Oper. Radius Feet	Boom Angle Deg.	Boom Point Elev. Feet	0 Degree List Boom Capacity Pounds	1 Degree List Boom Capacity Pounds	2 Degree List Boom Capacity Pounds	3 Degree List Boom Capacity Pounds	Oper. Radius Feet
170 Ft. BOOM							
30	83.0	176.4	284,100 *				30
32	82.4	176.1	281,100 *				32
34	81.7	175.8	257,700	211,100 *			34
36	81.0	175.5	235,200	205,700	180,800 *		36
38	80.3	175.1	216,100	190,600	169,900		38
40	79.6	174.7	199,600	177,400	159,100	143,700	40
42	78.9	174.3	185,300	165,700	149,400	135,600	42
44	78.2	173.8	172,800	155,400	140,700	128,200	44
46	77.5	173.4	161,700	146,100	132,900	121,500	46
48	76.9	172.9	151,800	137,800	125,800	115,400	48
50	76.2	172.4	142,900	130,200	119,400	109,800	50
55	74.4	171.0	124,300	114,200	105,500	97,700	55
60	72.6	169.4	109,500	101,300	94,100	87,700	60
65	70.9	167.6	97,500	90,700	84,700	79,200	65
70	69.1	165.7	87,500	81,800	76,700	72,000	70
75	67.2	163.6	79,100	74,200	69,800	65,800	75
80	65.4	161.3	71,900	67,700	63,900	60,400	80
85	63.5	158.8	65,700	62,000	58,700	55,600	85
90	61.6	156.1	60,200	57,000	54,100	51,400	90
95	59.6	153.2	55,500	52,600	50,100	47,600	95
100	57.6	150.0	51,200	48,700	46,400	44,300	100
105	55.6	146.6	47,400	45,200	43,100	41,200	105
110	53.5	142.9	44,000	42,000	40,200	38,400	110
115	51.3	138.9	40,900	39,100	37,500	35,900	115
120	49.1	134.6	38,100	36,500	35,000	33,600	120
125	46.8	129.9	35,600	34,100	32,800	31,500	125
130	44.4	124.9	33,300	31,900	30,700	29,500	130
135	41.9	119.3	31,100	29,900	28,800	27,800	135
140	39.2	113.3	29,100	28,000	27,000	26,100	140
145	36.4	106.6	27,300	26,300	25,400	24,500	145
150	33.4	99.2	25,600	24,700	23,900	23,100	150
155	30.1	90.8	24,000	23,200	22,500	21,800	155
160	26.5	81.1	22,500	21,800	21,200	20,500	160

Liftcrane Boom Capacities

Boom No. 44 With Heavy Lift Top
167,000 Lb. Counterweight
Crawler Machine on a Static Barge
0 Degree thru 3 Degree Static Machine List
No Travel - 360 Degree Rating

Oper. Radius Feet	Boom Angle Deg.	Boom Point Elev. Feet	0 Degree List Boom Capacity Pounds	1 Degree List Boom Capacity Pounds	2 Degree List Boom Capacity Pounds	3 Degree List Boom Capacity Pounds	Oper. Radius Feet
180 Ft. BOOM							
32	82.8	186.2	274,600 *				32
34	82.1	185.9	257,300				34
36	81.5	185.6	234,800	203,800			36
38	80.9	185.3	215,600	188,800	167,300		38
40	80.2	184.9	199,100	175,700	156,700		40
42	79.6	184.5	184,800	164,200	147,200	132,900	42
44	78.9	184.1	172,200	153,900	138,700	125,700	44
46	78.3	183.6	161,100	144,700	131,000	119,200	46
48	77.6	183.2	151,200	136,500	124,000	113,200	48
50	76.9	182.7	142,300	129,000	117,600	107,800	50
55	75.3	181.4	123,700	113,100	104,000	95,900	55
60	73.6	179.9	108,900	100,300	92,700	86,000	60
65	72.0	178.3	96,900	89,700	83,400	77,700	65
70	70.3	176.5	86,900	80,800	75,500	70,600	70
75	68.6	174.5	78,400	73,300	68,700	64,500	75
80	66.8	172.3	71,200	66,800	62,800	59,100	80
85	65.1	170.0	65,000	61,100	57,700	54,400	85
90	63.3	167.5	59,600	56,200	53,100	50,200	90
95	61.5	164.8	54,800	51,800	49,100	46,500	95
100	59.6	161.8	50,600	47,900	45,400	43,200	100
105	57.8	158.7	46,800	44,400	42,200	40,100	105
110	55.8	155.3	43,400	41,200	39,200	37,400	110
115	53.9	151.7	40,300	38,300	36,600	34,900	115
120	51.8	147.7	37,500	35,700	34,100	32,600	120
125	49.8	143.5	34,900	33,300	31,900	30,500	125
130	47.6	139.0	32,600	31,100	29,800	28,600	130
135	45.4	134.1	30,400	29,100	27,900	26,800	135
140	43.1	128.8	28,400	27,200	26,200	25,100	140
145	40.6	123.0	26,600	25,500	24,500	23,600	145
150	38.1	116.7	24,900	23,900	23,000	22,100	150
155	35.4	109.8	23,300	22,400	21,600	20,800	155
160	32.4	102.1	21,800	21,000	20,300	19,600	160
165	29.2	93.4	20,400	19,700	19,000	18,400	165
170	25.7	83.3	19,100	18,500	17,900	17,300	170

Liftcrane Boom Capacities

Boom No. 44 With Heavy Lift Top
167,000 Lb. Counterweight
Crawler Machine on a Static Barge
0 Degree thru 3 Degree Static Machine List
No Travel - 360 Degree Rating

Oper. Radius Feet	Boom Angle Deg.	Boom Point Elev. Feet	0 Degree List Boom Capacity Pounds	1 Degree List Boom Capacity Pounds	2 Degree List Boom Capacity Pounds	3 Degree List Boom Capacity Pounds	Oper. Radius Feet
190 Ft. BOOM							
34	82.6	196.0	241,300 *				34
36	81.9	195.7	234,300	175,900 *			36
38	81.3	195.4	215,200	174,600 *			38
40	80.7	195.1	198,700	173,200 *	144,900 *		40
42	80.1	194.7	184,300	162,700	142,600 *		42
44	79.5	194.3	171,800	152,600	136,700	119,900 *	44
46	78.9	193.9	160,600	143,500	129,200	117,000	46
48	78.3	193.4	150,700	135,300	122,300	111,200	48
50	77.6	193.0	141,800	127,900	116,000	105,800	50
55	76.1	191.7	123,200	112,100	102,500	94,200	55
60	74.5	190.3	108,400	99,300	91,500	84,500	60
65	72.9	188.8	96,300	88,800	82,200	76,300	65
70	71.4	187.1	86,300	80,000	74,400	69,300	70
75	69.7	185.3	77,900	72,500	67,700	63,300	75
80	68.1	183.2	70,700	66,000	61,800	58,000	80
85	66.5	181.1	64,500	60,400	56,700	53,300	85
90	64.8	178.7	59,000	55,400	52,200	49,200	90
95	63.1	176.2	54,200	51,100	48,200	45,500	95
100	61.4	173.4	50,000	47,200	44,600	42,200	100
105	59.7	170.5	46,200	43,700	41,400	39,200	105
110	57.9	167.4	42,800	40,500	38,400	36,500	110
115	56.1	164.0	39,700	37,600	35,800	34,000	115
120	54.2	160.4	36,900	35,000	33,300	31,700	120
125	52.3	156.6	34,300	32,700	31,100	29,700	125
130	50.3	152.4	32,000	30,500	29,100	27,700	130
135	48.3	148.0	29,900	28,400	27,200	25,900	135
140	46.2	143.2	27,900	26,600	25,400	24,300	140
145	44.1	138.1	26,000	24,800	23,800	22,800	145
150	41.8	132.6	24,300	23,200	22,300	21,300	150
155	39.5	126.6	22,700	21,700	20,900	20,000	155
160	37.0	120.0	21,300	20,300	19,500	18,800	160
165	34.4	112.8	19,900	19,000	18,300	17,600	165
170	31.5	104.8	18,600	17,800	17,100	16,500	170
175	28.4	95.8	17,400	16,700	16,100	15,500	175



Liftcrane Boom Capacities

Boom No. 44 With Heavy Lift Top
 167,000 Lb. Counterweight
 Crawler Machine on a Static Barge
 0 Degree thru 3 Degree Static Machine List
 No Travel - 360 Degree Rating

Oper. Radius Feet	Boom Angle Deg.	Boom Point Elev. Feet	0 Degree List Boom Capacity Pounds	1 Degree List Boom Capacity Pounds	2 Degree List Boom Capacity Pounds	3 Degree List Boom Capacity Pounds	Oper. Radius Feet
200 Ft. BOOM							
34	82.9	206.1	233,400 *				34
36	82.4	205.8	231,200 *				36
38	81.8	205.5	214,700	169,200 *			38
40	81.2	205.2	198,200	168,000 *			40
42	80.6	204.8	183,800	161,200	137,100 *		42
44	80.0	204.5	171,200	151,200	134,700	115,300 *	44
46	79.4	204.1	160,100	142,100	127,300	113,500 *	46
48	78.9	203.7	150,200	134,000	120,500	109,100	48
50	78.3	203.2	141,300	126,600	114,300	103,800	50
55	76.8	202.1	122,600	111,000	101,000	92,400	55
60	75.3	200.7	107,800	98,300	90,100	82,800	60
65	73.8	199.3	95,700	87,800	80,900	74,800	65
70	72.3	197.7	85,700	79,000	73,200	67,900	70
75	70.8	195.9	77,200	71,600	66,500	62,000	75
80	69.3	194.0	70,000	65,100	60,700	56,700	80
85	67.7	192.0	63,800	59,500	55,700	52,100	85
90	66.2	189.8	58,400	54,600	51,200	48,100	90
95	64.6	187.4	53,600	50,200	47,200	44,400	95
100	63.0	184.8	49,300	46,300	43,600	41,100	100
105	61.3	182.1	45,500	42,800	40,400	38,200	105
110	59.7	179.2	42,100	39,700	37,500	35,500	110
115	58.0	176.0	39,000	36,800	34,900	33,000	115
120	56.3	172.7	36,200	34,200	32,400	30,700	120
125	54.5	169.1	33,700	31,800	30,200	28,700	125
130	52.7	165.3	31,300	29,700	28,200	26,800	130
135	50.9	161.3	29,200	27,600	26,300	25,000	135
140	49.0	157.0	27,200	25,800	24,500	23,300	140
145	47.0	152.3	25,300	24,100	22,900	21,800	145
150	45.0	147.3	23,600	22,500	21,400	20,400	150
155	42.9	142.0	22,000	21,000	20,000	19,100	155
160	40.7	136.2	20,600	19,600	18,700	17,800	160
165	38.4	130.0	19,200	18,200	17,400	16,700	165
170	36.0	123.2	17,900	17,000	16,300	15,600	170
175	33.4	115.8	16,700	15,900	15,200	14,500	175
180	30.7	107.5	15,500	14,800	14,200	13,600	180
185	27.7	98.3	14,400	13,800	13,200	12,700	185

Liftcrane Boom Capacities

Boom No. 44 With Heavy Lift Top
167,000 Lb. Counterweight
Crawler Machine on a Static Barge
0 Degree thru 3 Degree Static Machine List
No Travel - 360 Degree Rating

Oper. Radius Feet	Boom Angle Deg.	Boom Point Elev. Feet	0 Degree List Boom Capacity Pounds	1 Degree List Boom Capacity Pounds	2 Degree List Boom Capacity Pounds	3 Degree List Boom Capacity Pounds	Oper. Radius Feet
210 Ft. BOOM							
36	82.7	215.9	225,300 *				36
38	82.2	215.6	214,400				38
40	81.6	215.3	197,900	161,500 *			40
42	81.1	215.0	183,600	158,400 *			42
44	80.5	214.6	171,000	150,100	129,700 *		44
46	80.0	214.3	159,800	141,100	125,800	109,400 *	46
48	79.4	213.9	149,900	133,100	119,100	107,400	48
50	78.8	213.5	141,000	125,800	113,100	102,200	50
55	77.4	212.3	122,300	110,200	99,900	91,000	55
60	76.0	211.1	107,500	97,600	89,100	81,700	60
65	74.6	209.7	95,400	87,200	80,100	73,700	65
70	73.2	208.2	85,400	78,500	72,400	67,000	70
75	71.8	206.5	77,000	71,100	65,800	61,100	75
80	70.3	204.7	69,800	64,700	60,100	55,900	80
85	68.8	202.8	63,500	59,100	55,100	51,400	85
90	67.4	200.7	58,100	54,200	50,600	47,400	90
95	65.9	198.5	53,300	49,800	46,700	43,800	95
100	64.4	196.1	49,100	45,900	43,100	40,500	100
105	62.8	193.5	45,300	42,500	39,900	37,600	105
110	61.3	190.8	41,800	39,300	37,000	34,900	110
115	59.7	187.8	38,800	36,500	34,400	32,500	115
120	58.1	184.7	36,000	33,900	32,000	30,200	120
125	56.4	181.4	33,400	31,500	29,800	28,200	125
130	54.8	177.9	31,100	29,300	27,800	26,300	130
135	53.1	174.1	28,900	27,300	25,900	24,500	135
140	51.3	170.1	26,900	25,500	24,100	22,900	140
145	49.5	165.9	25,100	23,700	22,500	21,400	145
150	47.7	161.4	23,400	22,100	21,000	20,000	150
155	45.8	156.5	21,800	20,600	19,600	18,600	155
160	43.8	151.3	20,300	19,200	18,300	17,400	160
165	41.8	145.8	18,900	17,900	17,100	16,200	165
170	39.7	139.8	17,600	16,700	15,900	15,100	170
175	37.4	133.4	16,400	15,600	14,800	14,100	175
180	35.1	126.4	15,300	14,500	13,800	13,100	180
185	32.6	118.7	14,200	13,500	12,800	12,200	185
190	29.9	110.2	13,100	12,500	11,900	11,400	190
195	27.0	100.6	12,200	11,600	11,100	10,600	195



Liftcrane Boom Capacities

Boom No. 44 With Heavy Lift Top
167,000 Lb. Counterweight
Crawler Machine on a Static Barge
0 Degree thru 3 Degree Static Machine List
No Travel - 360 Degree Rating

Oper. Radius Feet	Boom Angle Deg.	Boom Point Elev. Feet	0 Degree List Boom Capacity Pounds	1 Degree List Boom Capacity Pounds	2 Degree List Boom Capacity Pounds	3 Degree List Boom Capacity Pounds	Oper. Radius Feet
220 Ft. BOOM							
38	82.5	225.8	214,000				38
40	82.0	225.5	197,400	159,000 *			40
42	81.5	225.1	183,100	155,800 *			42
44	80.9	224.8	170,500	148,700	127,200 *		44
46	80.4	224.4	159,300	139,800	124,000		46
48	79.9	224.1	149,400	131,800	117,400	101,700 *	48
50	79.4	223.7	140,500	124,600	111,400	100,300	50
55	78.0	222.6	121,800	109,100	98,500	89,300	55
60	76.7	221.4	106,900	96,600	87,800	80,100	60
65	75.3	220.1	94,800	86,300	78,900	72,300	65
70	74.0	218.7	84,800	77,600	71,300	65,600	70
75	72.6	217.1	76,400	70,200	64,700	59,800	75
80	71.2	215.4	69,100	63,800	59,000	54,700	80
85	69.9	213.5	62,900	58,200	54,100	50,200	85
90	68.5	211.6	57,400	53,300	49,600	46,300	90
95	67.0	209.4	52,600	49,000	45,700	42,700	95
100	65.6	207.2	48,400	45,100	42,200	39,500	100
105	64.2	204.7	44,600	41,700	39,000	36,500	105
110	62.7	202.2	41,200	38,500	36,100	33,900	110
115	61.2	199.4	38,100	35,700	33,500	31,500	115
120	59.7	196.5	35,300	33,100	31,100	29,300	120
125	58.2	193.4	32,700	30,700	28,900	27,200	125
130	56.6	190.1	30,400	28,600	26,900	25,300	130
135	55.0	186.6	28,200	26,500	25,000	23,600	135
140	53.4	182.9	26,200	24,700	23,300	22,000	140
145	51.7	179.0	24,400	23,000	21,700	20,500	145
150	50.1	174.8	22,700	21,400	20,200	19,100	150
155	48.3	170.4	21,100	19,900	18,800	17,700	155
160	46.5	165.6	19,600	18,500	17,500	16,500	160
165	44.7	160.6	18,200	17,200	16,200	15,300	165
170	42.8	155.2	16,900	16,000	15,100	14,300	170
175	40.8	149.5	15,700	14,800	14,000	13,200	175
180	38.7	143.3	14,600	13,700	13,000	12,300	180
185	36.5	136.6	13,500	12,700	12,000	11,400	185
190	34.2	129.4	12,500	11,700	11,100	10,500	190
195	31.8	121.5	11,500	10,800	10,200	9,700	195
200	29.2	112.7	10,600	9,900	9,400	8,900	200
205	26.3	102.9	9,700	9,100	8,600	8,200	205



Liftcrane Boom Capacities

Boom No. 44 With Heavy Lift Top
167,000 Lb. Counterweight
Crawler Machine on a Static Barge
0 Degree thru 3 Degree Static Machine List
No Travel - 360 Degree Rating

Oper. Radius Feet	Boom Angle Deg.	Boom Point Elev. Feet	0 Degree List Boom Capacity Pounds	1 Degree List Boom Capacity Pounds	2 Degree List Boom Capacity Pounds	3 Degree List Boom Capacity Pounds	Oper. Radius Feet
230 Ft. BOOM							
38	82.9	235.9	193,200 *				38
40	82.4	235.6	191,600 *				40
42	81.8	235.3	182,600	138,800 *			42
44	81.3	234.9	170,000	136,700 *			44
46	80.8	234.6	158,800	134,600 *	109,100 *		46
48	80.3	234.2	148,900	130,600	107,800 *		48
50	79.8	233.9	140,000	123,400	106,300 *	85,600 *	50
55	78.6	232.9	121,200	108,100	97,100	85,300 *	55
60	77.3	231.7	106,400	95,700	86,500	78,600	60
65	76.0	230.5	94,300	85,400	77,700	71,000	65
70	74.7	229.1	84,200	76,700	70,200	64,400	70
75	73.4	227.6	75,800	69,400	63,700	58,600	75
80	72.1	226.0	68,600	63,000	58,100	53,600	80
85	70.8	224.2	62,300	57,500	53,100	49,200	85
90	69.4	222.3	56,900	52,600	48,800	45,200	90
95	68.1	220.3	52,100	48,300	44,800	41,700	95
100	66.7	218.2	47,800	44,400	41,300	38,500	100
105	65.4	215.9	44,000	40,900	38,200	35,600	105
110	64.0	213.4	40,600	37,800	35,300	33,000	110
115	62.6	210.8	37,500	35,000	32,700	30,600	115
120	61.2	208.1	34,700	32,400	30,300	28,400	120
125	59.7	205.1	32,100	30,000	28,200	26,400	125
130	58.3	202.1	29,800	27,900	26,100	24,500	130
135	56.8	198.8	27,600	25,900	24,300	22,800	135
140	55.2	195.3	25,600	24,000	22,600	21,200	140
145	53.7	191.7	23,800	22,300	21,000	19,700	145
150	52.1	187.8	22,100	20,700	19,500	18,300	150
155	50.5	183.7	20,500	19,200	18,100	17,000	155
160	48.9	179.3	19,000	17,800	16,800	15,700	160
165	47.2	174.7	17,600	16,500	15,500	14,600	165
170	45.4	169.8	16,300	15,300	14,400	13,500	170
175	43.6	164.6	15,100	14,100	13,300	12,500	175
180	41.8	159.0	14,000	13,100	12,300	11,500	180
185	39.8	153.1	12,900	12,000	11,300	10,600	185
190	37.8	146.7	11,900	11,100	10,400	9,700	190
195	35.7	139.8	10,900	10,200	9,500	8,900	195
200	33.5	132.4	10,000	9,300	8,700	8,100	200
205	31.1	124.2	9,100	8,500	7,900	7,400	205
210	28.5	115.2	8,300	7,700	7,200	6,700	210
215	25.7	105.1	7,500	6,900	6,500	6,100	215



Liftcrane Boom Capacities

Boom No. 44 With Heavy Lift Top
167,000 Lb. Counterweight
Crawler Machine on a Static Barge
0 Degree thru 3 Degree Static Machine List
No Travel - 360 Degree Rating

Oper. Radius Feet	Boom Angle Deg.	Boom Point Elev. Feet	0 Degree List Boom Capacity Pounds	1 Degree List Boom Capacity Pounds	2 Degree List Boom Capacity Pounds	3 Degree List Boom Capacity Pounds	Oper. Radius Feet
240 Ft. BOOM							
40	82.7	245.7	185,800 *				40
42	82.2	245.4	182,100				42
44	81.7	245.1	169,400	130,100 *			44
46	81.2	244.7	158,300	127,900 *			46
48	80.7	244.4	148,300	125,800 *	98,500 *		48
50	80.3	244.0	139,400	122,200	98,300 *		50
55	79.0	243.1	120,700	107,000	95,600	76,600 *	55
60	77.8	242.0	105,800	94,600	85,200	76,200 *	60
65	76.6	240.8	93,700	84,400	76,500	69,500	65
70	75.4	239.5	83,600	75,800	69,000	63,000	70
75	74.1	238.0	75,100	68,500	62,600	57,400	75
80	72.9	236.5	67,900	62,100	57,000	52,400	80
85	71.6	234.8	61,700	56,600	52,100	48,000	85
90	70.3	233.0	56,200	51,700	47,800	44,100	90
95	69.1	231.1	51,400	47,400	43,900	40,600	95
100	67.8	229.1	47,100	43,600	40,400	37,500	100
105	66.5	226.9	43,300	40,100	37,300	34,600	105
110	65.2	224.6	39,900	37,000	34,400	32,000	110
115	63.8	222.1	36,800	34,200	31,800	29,600	115
120	62.5	219.5	34,000	31,600	29,500	27,400	120
125	61.1	216.7	31,400	29,300	27,300	25,400	125
130	59.7	213.8	29,100	27,100	25,300	23,600	130
135	58.3	210.7	26,900	25,100	23,400	21,900	135
140	56.9	207.5	24,900	23,200	21,700	20,300	140
145	55.5	204.0	23,100	21,500	20,100	18,800	145
150	54.0	200.4	21,400	19,900	18,600	17,400	150
155	52.5	196.6	19,800	18,400	17,200	16,100	155
160	50.9	192.5	18,300	17,100	15,900	14,800	160
165	49.4	188.2	16,900	15,800	14,700	13,700	165
170	47.8	183.7	15,600	14,500	13,600	12,600	170
175	46.1	178.9	14,400	13,400	12,500	11,600	175
180	44.4	173.9	13,300	12,300	11,500	10,600	180
185	42.6	168.5	12,200	11,300	10,500	9,700	185
190	40.8	162.7	11,100	10,300	9,600	8,900	190
195	38.9	156.6	10,200	9,400	8,700	8,000	195
200	37.0	150.0	9,300	8,500	7,900	7,300	200
205	34.9	142.9	8,400	7,700	7,100	6,500	205
210	32.7	135.3	7,600	6,900	6,400	5,800	210
215	30.4	126.9	6,800	6,200	5,700	5,200	215
220	27.9	117.7	6,000	5,500	5,000	4,600	220
225	25.1	107.3	5,300	4,800	4,400	4,000	225

Liftcrane Boom Capacities

Boom No. 44 With Heavy Lift Top
167,000 Lb. Counterweight
Crawler Machine on a Static Barge
0 Degree thru 3 Degree Static Machine List
No Travel - 360 Degree Rating

Oper. Radius Feet	Boom Angle Deg.	Boom Point Elev. Feet	0 Degree List Boom Capacity Pounds	1 Degree List Boom Capacity Pounds	2 Degree List Boom Capacity Pounds	3 Degree List Boom Capacity Pounds	Oper. Radius Feet
250 Ft. BOOM							
40	83.0	255.8	179,100 *				40
42	82.5	255.5	177,900 *				42
44	82.0	255.2	170,200	121,100 *			44
46	81.6	254.9	159,000	120,800 *			46
48	81.1	254.6	149,100	120,400 *			48
50	80.6	254.2	140,200	119,400 *	90,300 *		50
55	79.5	253.3	121,400	107,300	89,700 *	70,200 *	55
60	78.3	252.2	106,600	95,100	85,400	69,900 *	60
65	77.1	251.1	94,500	84,900	76,700	69,500 *	65
70	76.0	249.8	84,400	76,300	69,300	63,200	70
75	74.8	248.5	76,000	69,000	63,000	57,600	75
80	73.6	247.0	68,700	62,700	57,500	52,700	80
85	72.4	245.4	62,500	57,200	52,600	48,400	85
90	71.2	243.7	57,000	52,400	48,300	44,600	90
95	69.9	241.8	52,200	48,100	44,400	41,100	95
100	68.7	239.9	48,000	44,300	41,000	38,000	100
105	67.5	237.8	44,200	40,900	37,900	35,100	105
110	66.2	235.6	40,700	37,800	35,100	32,600	110
115	64.9	233.3	37,600	34,900	32,500	30,200	115
120	63.7	230.8	34,800	32,400	30,100	28,000	120
125	62.4	228.2	32,300	30,000	28,000	26,000	125
130	61.1	225.4	29,900	27,900	26,000	24,200	130
135	59.7	222.5	27,800	25,900	24,100	22,500	135
140	58.4	219.4	25,800	24,000	22,400	20,900	140
145	57.0	216.2	23,900	22,300	20,800	19,400	145
150	55.6	212.7	22,200	20,700	19,400	18,000	150
155	54.2	209.1	20,600	19,200	18,000	16,800	155
160	52.8	205.4	19,200	17,900	16,700	15,500	160
165	51.3	201.4	17,800	16,600	15,500	14,400	165
170	49.8	197.2	16,500	15,300	14,300	13,300	170
175	48.3	192.7	15,300	14,200	13,200	12,300	175
180	46.7	188.0	14,100	13,100	12,200	11,400	180
185	45.1	183.1	13,000	12,100	11,300	10,500	185
190	43.4	177.8	12,000	11,100	10,300	9,600	190
195	41.7	172.2	11,000	10,200	9,500	8,800	195
200	40.0	166.3	10,100	9,300	8,700	8,000	200
205	38.1	160.0	9,300	8,500	7,900	7,300	205
210	36.2	153.2	8,400	7,700	7,200	6,600	210
215	34.2	146.0	7,600	7,000	6,500	5,900	215
220	32.0	138.1	6,900	6,300	5,800	5,300	220
225	29.7	129.5	6,200	5,600	5,100	4,700	225
230	27.3	120.1	5,500	5,000	4,500	4,100	230



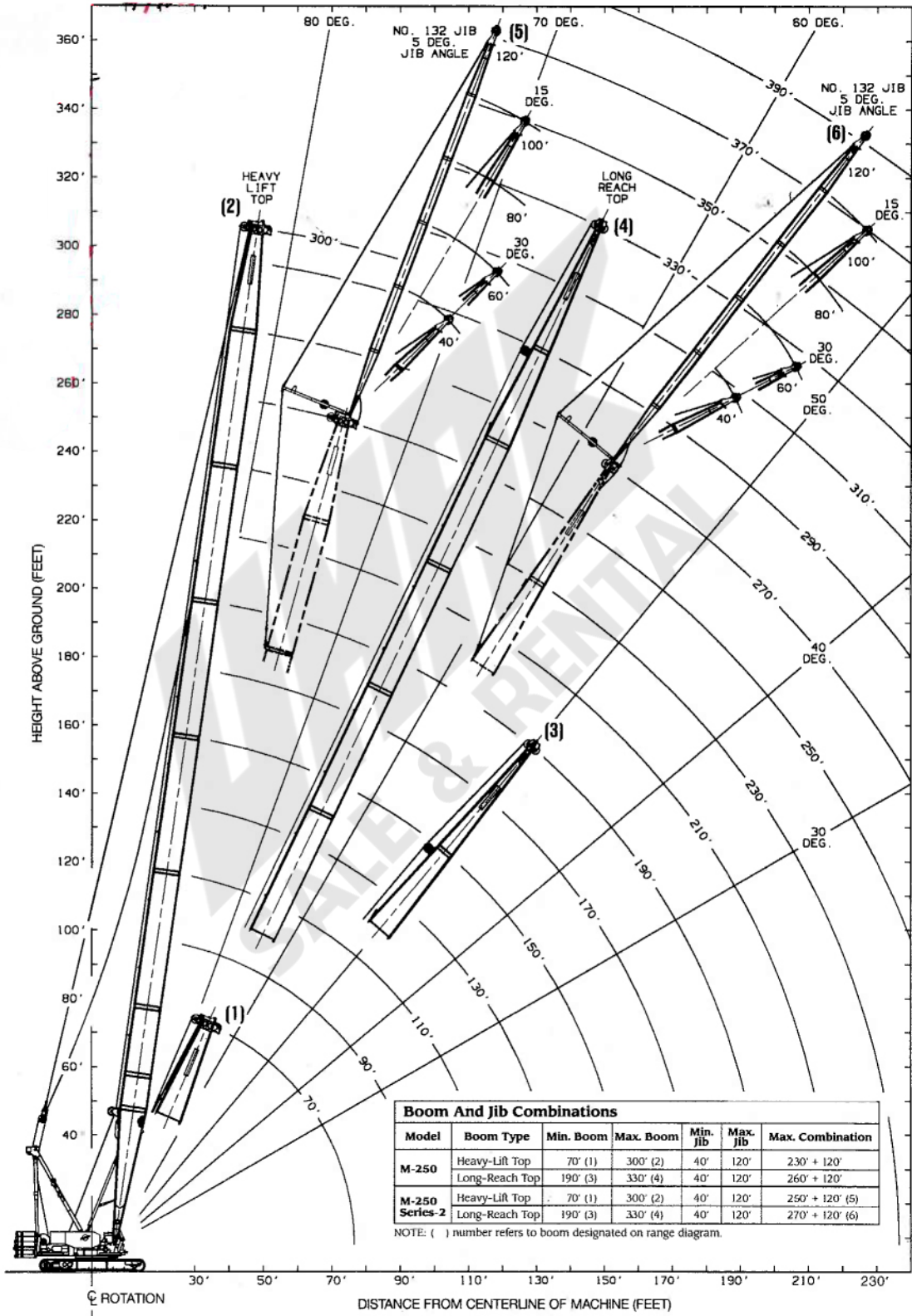
M-250

Liftcrane Boom Capacities

Boom No. 44 With Heavy Lift Top
167,000 Lb. Counterweight
Crawler Machine on a Static Barge
0 Degree thru 3 Degree Static Machine List
No Travel - 360 Degree Rating

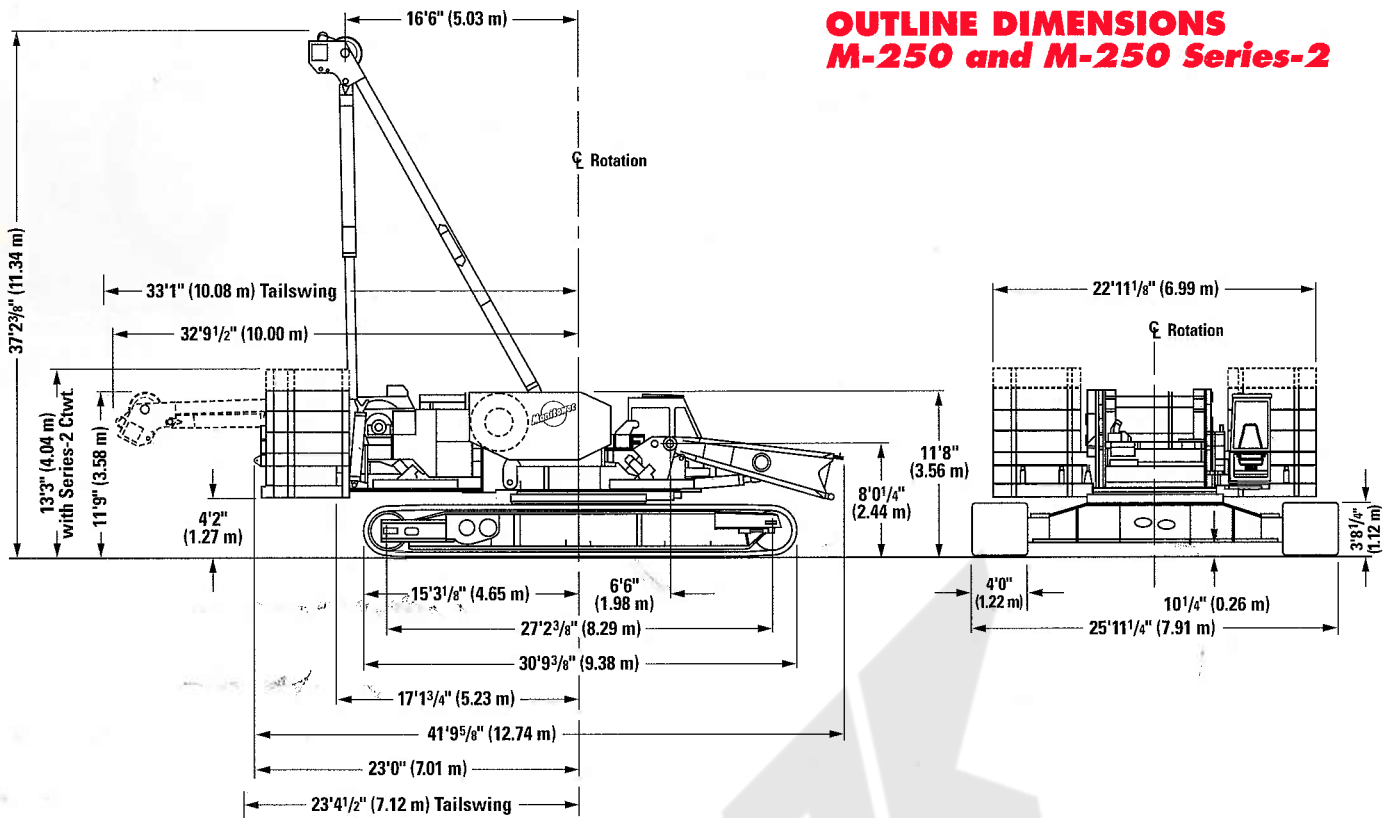
Oper. Radius Feet	Boom Angle Deg.	Boom Point Elev. Feet	0 Degree List Boom Capacity Pounds	1 Degree List Boom Capacity Pounds	2 Degree List Boom Capacity Pounds	3 Degree List Boom Capacity Pounds	Oper. Radius Feet
260 Ft. BOOM							
42	82.8	265.6	169,400 *				42
44	82.4	265.3	166,100 *				44
46	81.9	265.0	158,500	110,200 *			46
48	81.5	264.7	148,600	109,800 *			48
50	81.0	264.4	139,600	109,500 *	81,700 *		50
55	79.9	263.5	120,900	106,300	81,200 *	63,000 *	55
60	78.8	262.5	106,000	94,100	80,700 *	62,700 *	60
65	77.6	261.4	93,900	83,900	75,500	62,400 *	65
70	76.5	260.1	83,800	75,400	68,200	61,900	70
75	75.4	258.8	75,300	68,200	61,900	56,400	75
80	74.2	257.4	68,100	61,900	56,400	51,600	80
85	73.1	255.9	61,800	56,400	51,600	47,300	85
90	71.9	254.2	56,400	51,600	47,300	43,500	90
95	70.7	252.5	51,600	47,300	43,500	40,100	95
100	69.6	250.6	47,300	43,500	40,100	37,000	100
105	68.4	248.6	43,500	40,100	37,000	34,200	105
110	67.2	246.5	40,100	37,000	34,200	31,600	110
115	66.0	244.3	37,000	34,200	31,600	29,300	115
120	64.8	241.9	34,200	31,600	29,300	27,100	120
125	63.5	239.4	31,600	29,200	27,100	25,100	125
130	62.3	236.8	29,300	27,100	25,100	23,300	130
135	61.0	234.0	27,100	25,100	23,300	21,600	135
140	59.8	231.1	25,100	23,300	21,600	20,000	140
145	58.5	228.1	23,300	21,600	20,000	18,600	145
150	57.1	224.8	21,600	20,000	18,500	17,200	150
155	55.8	221.4	20,000	18,500	17,200	15,900	155
160	54.5	217.9	18,500	17,100	15,900	14,700	160
165	53.1	214.1	17,100	15,800	14,700	13,500	165
170	51.7	210.2	15,800	14,600	13,500	12,500	170
175	50.2	206.0	14,600	13,400	12,400	11,500	175
180	48.8	201.7	13,400	12,400	11,400	10,500	180
185	47.3	197.1	12,300	11,300	10,500	9,600	185
190	45.8	192.2	11,300	10,400	9,600	8,800	190
195	44.2	187.1	10,300	9,500	8,700	8,000	195
200	42.6	181.7	9,400	8,600	7,900	7,200	200
205	40.9	176.0	8,600	7,800	7,100	6,500	205
210	39.1	169.9	7,700	7,000	6,400	5,800	210
215	37.3	163.4	6,900	6,300	5,700	5,100	215
220	35.4	156.4	6,200	5,500	5,000	4,500	220
225	33.5	149.0	5,500	4,900	4,400		225
230	31.4	140.9	4,800	4,200			230
235	29.1	132.1	4,100				235

MANITOWOC M250



300-Ton Liftcrane ▲ 30,000-Lb. Clamshell

OUTLINE DIMENSIONS M-250 and M-250 Series-2



SPECIFICATIONS

UPPERWORKS

ROTATING BED: Fabricated steel rotating bed equipped with Manitowoc's patented **Fast Aligning Connection Technology (FACT™)** system for rapid attachment to rotating module on carbody. FACT system uses alignment devices, power-activated pins, and H-FACT® hydraulic quick coupler to speed crane assembly and disassembly.

DRUMS: Basic arrangement is a split rear drum-shaft assembly. Right drum 44% wide and 22½" in diameter. Left drum 18% wide and 22½" in diameter. Shaft and drums are antifriction-bearing mounted. Shaft driven by a fixed-displacement double-bank radial-piston hydraulic motor through a spur-gear reduction. Internal-expanding drum clutches are spring set, air released. External-contracting drum brakes are air applied, spring released. Parking brakes are spring set, air released. Front drums optional.

BOOM HOIST: Independent two-drum boom hoist is driven by variable-displacement hydraulic motor coupled to an integral brake and a planetary reduction. Grooved drums are 19% wide by 23" diameter. Drum-rotation indicator and ratchet-and-pawl are standard.

SWING SYSTEM: Independent swing powered by a fixed-displacement hydraulic motor coupled to an internal brake and planetary reduction mounted in the carbody assembly. Includes gear segment type swing lock.

OPERATOR'S STATION: Fully enclosed and insulated steel module mounted to the left front corner of the rotating bed. Module is equipped with sliding door, large safety glass windows on all sides and in roof. Standard equipment includes electric horn, cab space heater, dome light, fire extinguisher, air-circulating fan, and windshield wipers for upper front window, lower front window, and roof window. Module can be repositioned for transportation.

ENGINE/TRANSMISSION: Cummins N14-C450 diesel engine rated at 450 HP at 2,100 RPM provides independent power for all operations through the multi-hydraulic-pump transmission. Power system includes engine block heater (120V), ether starting aid, transmission disconnect clutch, high-silencing muffler, alcohol injector in air line, hydraulic oil cooler, radiator, and fan.

CONTROLS: Electronic-over-hydraulic controls and closed-looped hydraulics provide infinitely variable speed response in proportion to control lever movement. Manitowoc's patented **Electronically Processed Independent Control (EPIC®)** system provides micro-processor-driven control logic, pump control, onboard diagnostics, and service information. Selector switch permits load-hoist drums to be operated in either free-fall or power-down mode. Rotation indicator standard for each drum. Block up-limit controls for main and auxiliary hoist lines are standard.

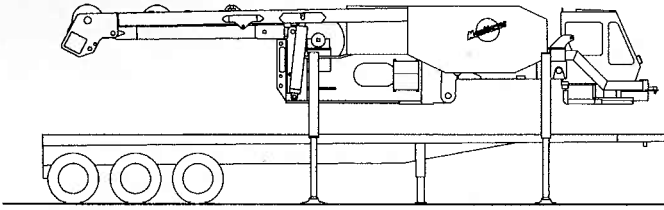
LOWERWORKS

CARBODY: Connects rotating bed to crawlers. Fabricated steel rotating module mounts to single-piece carbody via a 9'8" diameter turntable bearing. Crawlers mount to the carbody with FACT connection system of power-actuated pins.

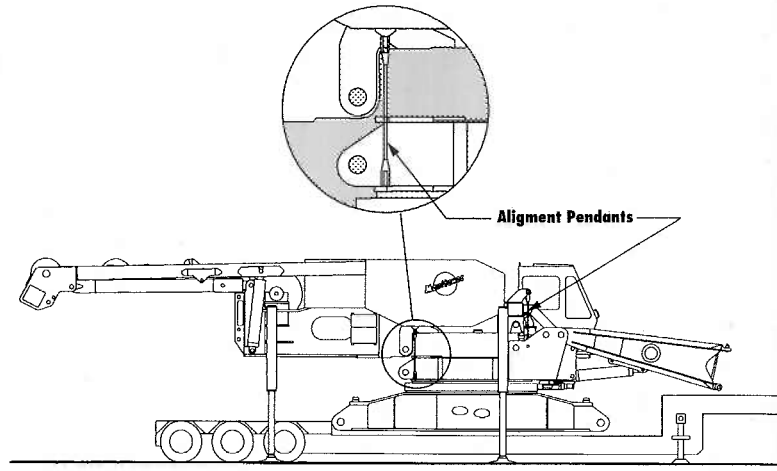
CRAWLERS: Crawler assemblies are 30'9" long, with reinforced steel frames, 48" wide cast-steel treads, and sealed "low-maintenance" intermediate rollers. Each crawler powered independently by two variable-displacement hydraulic motors and a planetary-and-spur gear reduction, that drives a chain to the crawler drive tumbler. Crawlers provide counter-rotation capability.

M-250 SELF-ASSEMBLY

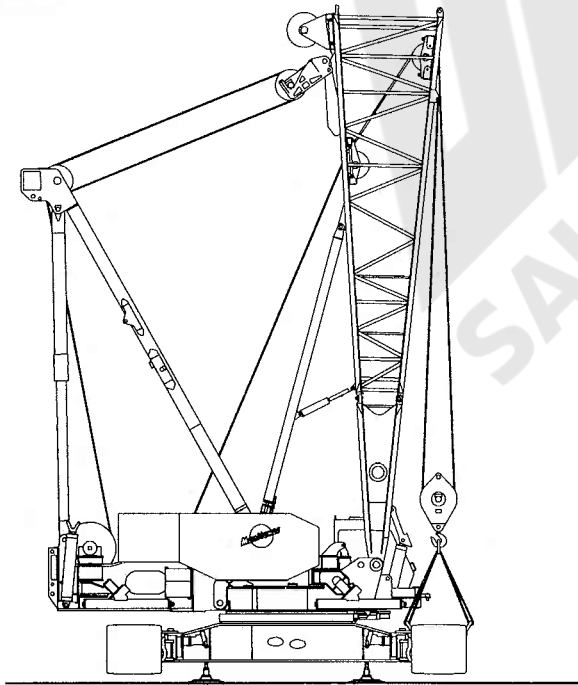
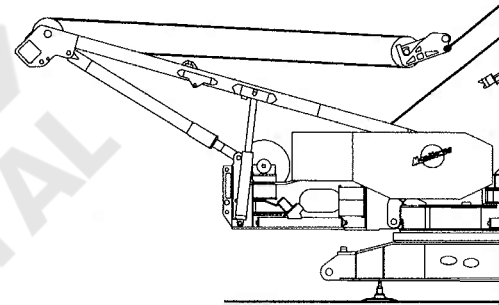
(with optional self-assembly system)



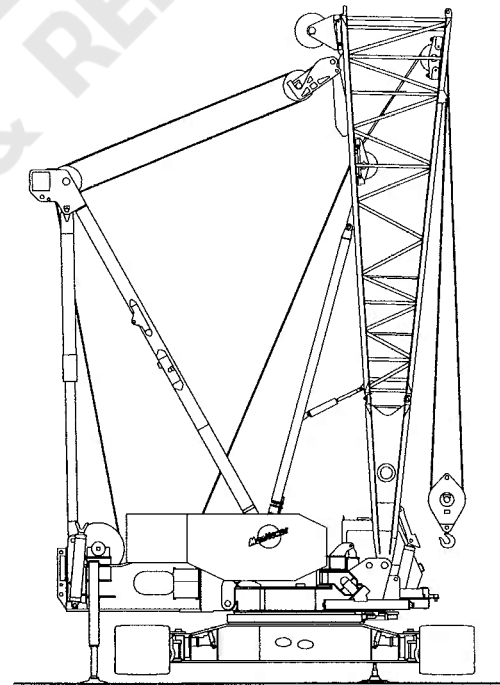
1 Operator's cab is rotated into operating position. Assembly jacks are rotated downward and used to lift upperworks off trailer.



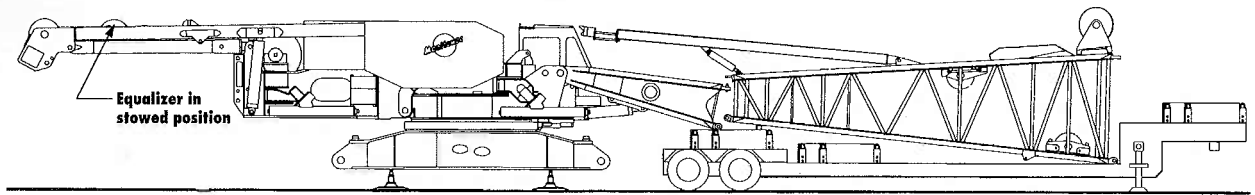
2 Carbody with rotating module is suspended and centered using alignment pendants. Upperworks is lowered, then connected to rotating module by FACT connection system's centering devices and power-activated pins. All power-activated pins used during set-up are operated by a hand-held remote control. The assembly, consisting of upperworks, rotating module, and carbody, is lowered onto supports.



5 Gantry is pulled into upright position with boom hoist and secured by power-activated backhitch pins. Crawlers are removed from trailer and attached to carbody by FACT connection system's vertical positioners and horizontal power-activated pins.

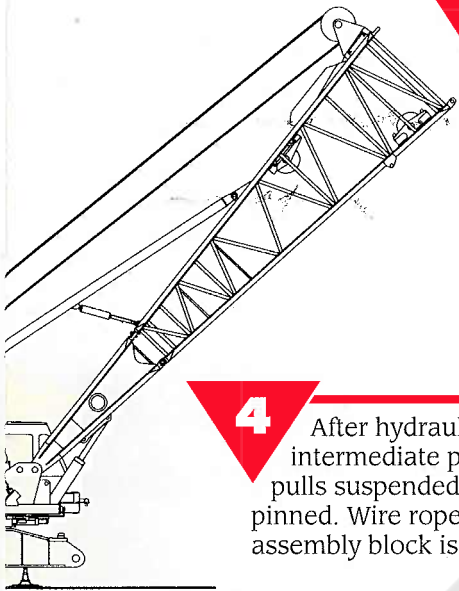


6 Rear assembly jacks are rotated downward and used to raise crane. Carbody supports are removed. Counterweight is removed from trailers and assembled.



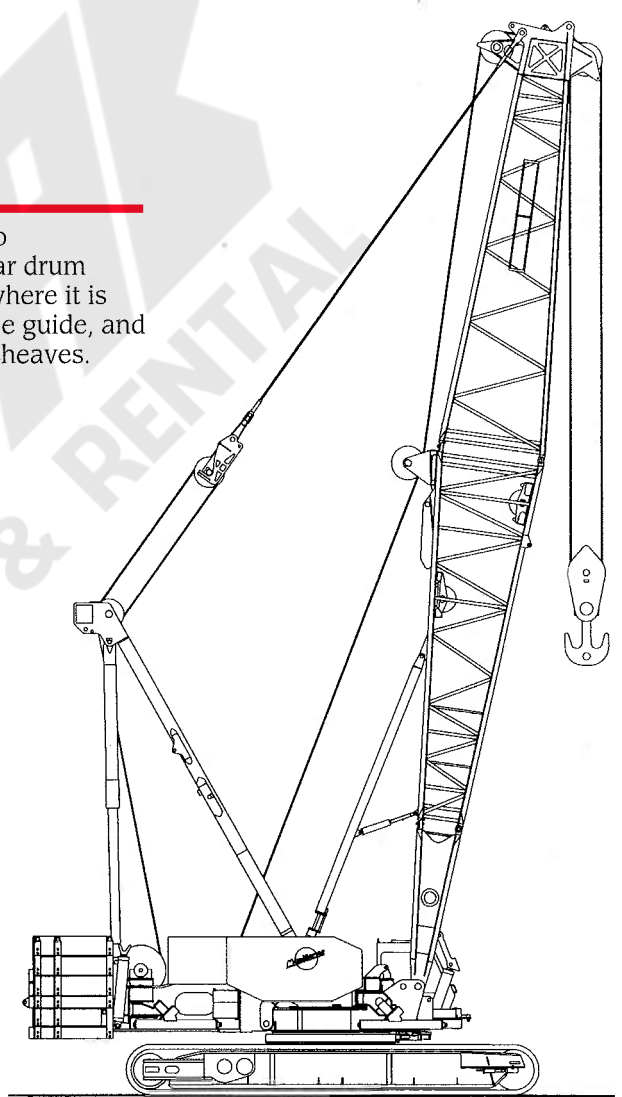
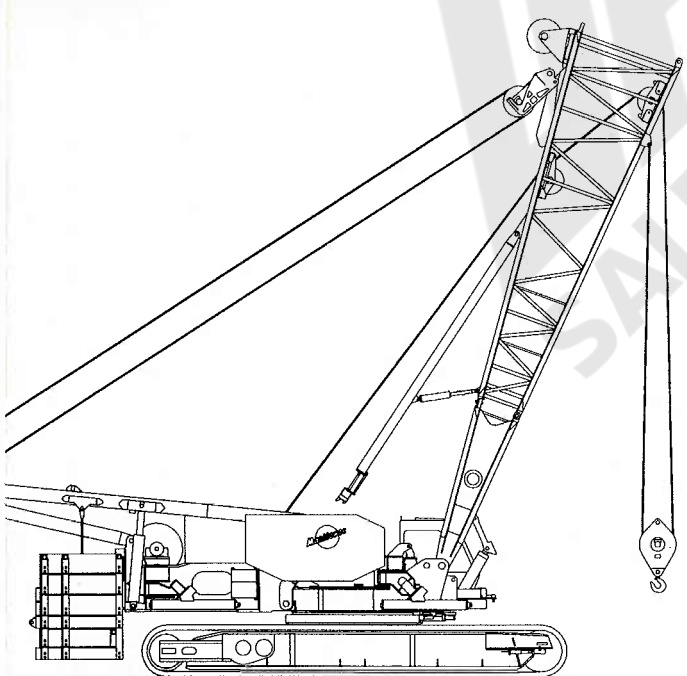
3

Upper boom butt is attached to lower boom butt by FACT connection system's vertical positioners, horizontal pins, and alignment pads. Wire rope from rear drum is reeved through wire rope guide and attached to equalizer. Boom butt is raised by a front-mounted hydraulic cylinder.



4

After hydraulic cylinders raise gantry to intermediate position, hoist line from rear drum pulls suspended equalizer to boom butt, where it is pinned. Wire rope is removed from wire rope guide, and assembly block is reeved using boom-butt sheaves.



7

Crane is positioned near counterweight. Gantry is lowered. Counterweight is pendant-connected to gantry; raised into position using counterweight-raising cylinders; and attached to upperworks by power-activated pins.

8

Boom top and inserts are positioned and attached using FACT connection system. Boom pendants are attached to equalizer, and load line is reeved to load block. Crane is ready to operate.

PERFORMANCE DATA

Wire Rope Specifications					
Application	Dia.	Description	Breaking Strength	Weight	Max. Operating Length
Lift	1½"	1960 Grade, Rotation-Resistant	154,900 lb	2.70 lb/ft	2,050' Hoist 1,270' Whip
Boom Hoist	1"	6 x 26 EIPS, Alternate lay	103,400 lb	1.85 lb/ft	975'

Line Pull vs. Line Speed*						
Line Pull (Infinitely Variable)	Hoist Pump Only		Divert 1 Travel Pump		Divert 2 Travel Pumps	
	1st Layer	8th Layer	1st Layer	8th Layer	1st Layer	8th Layer
0 lb	112 fpm	194 fpm	228 fpm	390 fpm	340 fpm	584 fpm
5,000 lb	110 fpm	190 fpm	225 fpm	380 fpm	334 fpm	564 fpm
10,000 lb	108 fpm	184 fpm	221 fpm	370 fpm	327 fpm	545 fpm
15,000 lb	107 fpm	179 fpm	217 fpm	360 fpm	321 fpm	526 fpm
20,000 lb	105 fpm	174 fpm	214 fpm	350 fpm	314 fpm	506 fpm
25,000 lb	103 fpm	169 fpm	210 fpm	341 fpm	307 fpm	390 fpm
30,000 lb	101 fpm	163 fpm	207 fpm	331 fpm	300 fpm	285 fpm

*Based on 22½" diameter smooth drum.

SWING SPEED: 2.0 RPM.

GRADEABILITY: 30%.

TRAVEL SPEED: 1.25 MPH.

BOOM HOIST SPEED: 300' boom, 0° to 82°— 2 minutes, 40 seconds.

LIFTCRANE ATTACHMENT

BASIC BOOM: Liftcrane equipped with 70' No. 44 basic boom consisting of 40' two-piece butt and 30' heavy-lift top with nine 30" diameter sealed antifriction-bearing sheaves. Includes rope guides, boom-hoist wire rope, boom-angle indicator, and hook and weight ball. Boom features Manitowoc's patented FACT connection system, which uses two vertical positioners, two horizontal connection pins, and alignment pads to connect adjacent sections of boom.

Gantry with telescopic backhitch and power-activated backhitch pins.

Air-cushioned physical boom stop.

Automatic boom stop.

UPPERWORKS COUNTERWEIGHT: Assembly connected to rear of rotating bed by remote-controlled, power-activated pins. Can be installed and removed as a unit by crane's hydraulic gantry-raising cylinders. M-250 – 12 pieces, 167,000-lb. total weight. M-250 Series-2 – 15 pieces, 207,000-lb. total weight.

CARBODY COUNTERWEIGHT: Only on M-250 Series-2. Two 30,000-lb. boxes connected to carbody by hooks and manually installed pins. Can be installed and removed by crane's optional self-assembly system using boom butt.

30' Tapered insert with pendants
(used with long-reach top)
40' Long-reach top

Jib No. 132

40' Jib with mounting parts
20' Insert with pendants

ATTACHMENTS:

30-ton single-sheave load block
60-ton two-sheave load block
100-ton three-sheave load block
300-ton nine-sheave load block
Single-sheave upper boom point (whipline)
Luffing-jib attachment
Series-2 package
MAX-ER™ attachments
X-TENDER™ attachment
RINGER® attachment
Other attachments on request
Container-handling attachment

BASIC CRANE OPTIONS:

Full-width front drum shaft
Air conditioner in operator's cab
Special paint – machinery enamel in
color other than Manitowoc standard
Bail limit control for hoist drums
Self-assembly system
Grooved laggings for liftcrane
Grooved laggings for clamshell
Caterpillar 3406B DITA engine
Load-moment indicator (LMI)
Elevated operator cab
Preparation to accept luffing jib, RINGER, and MAX-ER
attachments

OPTIONAL EQUIPMENT

BOOM AND JIB:

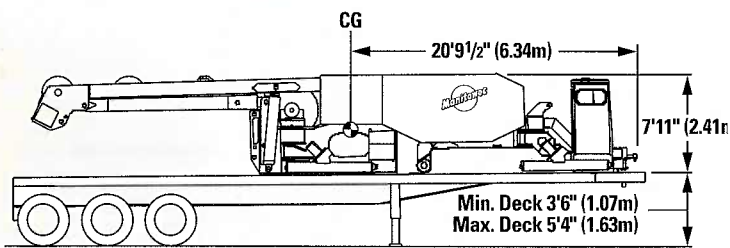
Boom No. 44

10' Insert with pendants

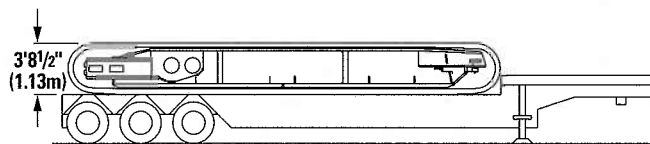
20' Insert with pendants

40' Insert with pendants

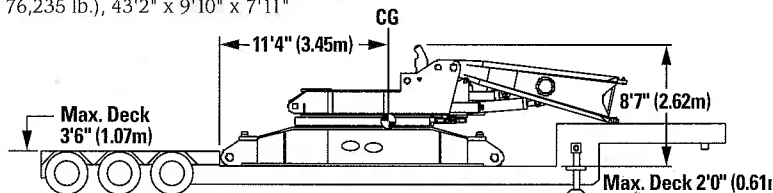
EASY MOBILIZATION



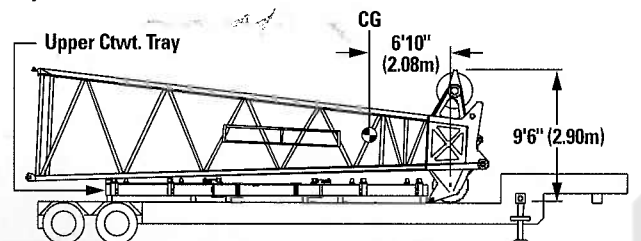
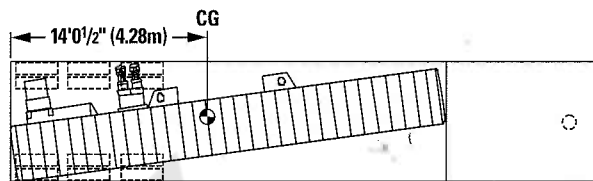
Upperworks module with operator's cab, gantry, equalizer, self-assembly jacks, and all wire rope: 84,000 lb., (without hoist and whipline wire rope: 76,235 lb.), 43'2" x 9'10" x 7'11"



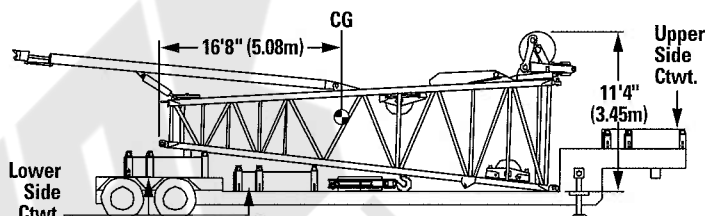
Crawler assembly: 56,545 lb. each, 30'9" x 7'3" x 3'8 1/2"



Carbody assembly, including carbody, rotating module, turntable bearing, swing drive, 12' lower boom butt, and boom-raising cylinder: 63,445 lb., 28'11" x 9'8" x 8'7"



30' boom top with lower boom point, wire rope guide, and basic pendants. 12,325 lb. upper counterweight tray: 31,170 lb. Total load 43,495 lb., 33'0" x 8'6" x 9'6"



Lower side counterweights (2): 10,000 lb. each
Upper side counterweights: 10,750 lb.
28' upper boom butt with wire rope guide, self-assembly rope guides, and boom stop: 11,070 lb.
Total load: 41,295 lb., 39'2" x 8'6" x 11'4"

Max. Deck 0.53m (Eur)
Max. Deck 2'0" (USA)

Component	Weight (Lb)	Length	Width	Height
10' Boom insert with pendants	2,360	10'6"	8'6"	8'0"
20' Boom insert with pendants	3,925	20'6"	8'6"	8'0"
40' Boom insert with pendants	6,545	40'6"	8'6"	8'0"
40' Basic No. 132 jib with strut and pendants	5,780	41'11"	4'0"	3'0"
20' Jib strut with sheaves and links	1,360	20'6"	4'0"	2'7"
20' Jib insert with pendants	1,045	20'6"	4'0"	3'0"
Lower counterweight tray with links	30,500	23'3"	6'4"	2'8"
Lower side counterweights (2)	10,000 ea.	5'7"	6'4"	1'4"
Lower center counterweight (Series-2 only)	18,400	10'0"	5'3"	1'4"
Upper counterweight tray with links	31,170	23'1"	6'9"	1'4"
Upper side counterweights (6 std., 8 for Series-2)	10,750 ea.	5'11"	6'3"	1'5"
Upper center counterweights (2)	10,000 ea.	6'11"	5'6"	1'6"
Assembled counterweight (standard M-250)	167,000	23'0"	6'9"	7'8"
Assembled upperworks counterweight (Series-2)	207,000	23'0"	6'9"	9'2"
Carbody counterweights (Series-2) (2)	30,000 ea.	11'0"	6'0"	2'11"

CAPACITY: 300-ton maximum capacity. Outlifts many larger lattice-boom cranes and 400-ton telescopic-boom cranes at useful boom lengths and normal working radii.

MOBILITY: Complete M-250 Series-2 with 300' of boom and 120' of jib ships on 13 trucks.

RELIABILITY: The M-250 delivers the same performance and long life that have earned all Manitowoc cranes a worldwide reputation for reliability and high resale value.

CODE COMPLIANCE: The Manitowoc M-250 can comply with all major operating codes, including the OSHA/ANSI, DIN, Keboma, British, and French standards.



MANITOWOC ENGINEERING CO.
Division of The Manitowoc Company, Inc.
P.O. Box 70 ♦ 2401 S. 30th St. ♦ Manitowoc, WI 54221-0070
Telephone: 414-684-6621 ♦ Telefax: 414-683-6277

Continuing product improvement may change specifications without notice.

Form Adv. 7584-1 ©1996 Manitowoc Litho in U.S.A. MEC