



LIFTCRANE BOOM CAPACITIES _____ 4100W SERIES 2

BOOM NO. 22C WITH OPEN THROAT TOP
 146,400 LB. CRANE COUNTERWEIGHT
 60,000 LB. CARBODY COUNTERWEIGHT
 26'6" CRAWLERS EXTENDED
 CRAWLER MACHINE ON A BARGE
 0 DEGREE THRU 3 DEGREE MACHINE LIST
 NO TRAVEL - 360 DEGREE RATING

CAPACITIES ARE FOR A CRAWLER MACHINE WHEN OPERATING ON A BARGE. MACHINE SHALL BE POSITIVELY SECURED TO PREVENT SHIFTING. CAPACITIES FOR VARIOUS BOOM LENGTHS AND OPERATING RADII ARE FOR FREELY SUSPENDED LOADS AND DO NOT EXCEED 75% OF A STATIC TIPPING LOAD. CAPACITIES BASED ON STRUCTURAL COMPETENCE ARE DENOTED BY AN ASTERISK (*).

UPPER BOOM POINT CAPACITY FOR LIFTCRANE SERVICE WITH SINGLE PART WHIP LINE OR COMBINATION OF TWO SINGLE PART LINES IS 29,300 LBS. IN ALL CASES, UPPER BOOM POINT CAPACITIES CANNOT EXCEED THOSE LISTED FOR MAIN BOOM CAPACITY.

WEIGHT OF UPPER BOOM POINT, ALL LOAD BLOCKS, HOOKS, WEIGHT BALL, SLINGS, HOIST LINES, ETC., BENEATH BOOM POINT SHEAVES, IS CONSIDERED PART OF MAIN BOOM LOAD. BOOM IS NOT TO BE LOWERED BEYOND RADII WHERE COMBINED WEIGHTS ARE GREATER THAN RATED CAPACITY. WHERE NO CAPACITY IS SHOWN, OPERATION IS NOT INTENDED OR APPROVED.

MACHINE TO OPERATE ON A FIRM UNIFORMLY SUPPORTING SURFACE WITH CRAWLERS FULLY EXTENDED, GANTRY UP AND MACHINE LIST NOT TO EXCEED DEGREES NOTED. REFER TO BOOM RIGGING NO. 190693 AND WIRE ROPE SPECIFICATION CHART NO. 6592-A. CRANE OPERATOR JUDGMENT MUST BE USED TO ALLOW FOR DYNAMIC LOAD EFFECTS OF SWINGING, HOISTING OR LOWERING, WIND CONDITIONS, AS WELL AS ADVERSE OPERATING CONDITIONS AND PHYSICAL MACHINE DEPRECIATION.

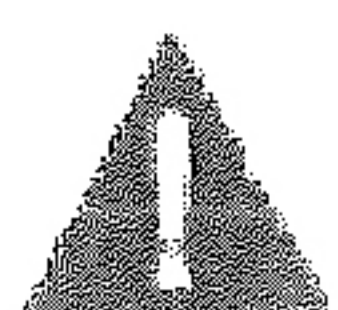
OPERATING RADIUS IS HORIZONTAL DISTANCE FROM AXIS OF ROTATION AT BARGE DECK TO CENTER OF VERTICAL HOIST LINE OR LOAD BLOCK. BOOM ANGLE IS ANGLE BETWEEN HORIZONTAL AND CENTERLINE OF BOOM BUTT AND INSERTS, AND IS AN INDICATION OF OPERATING RADIUS. IN ALL CASES, OPERATING RADIUS SHALL GOVERN CAPACITY. BOOM POINT ELEVATION IS VERTICAL DISTANCE FROM BARGE DECK TO CENTERLINE OF BOOM POINT SHAFT.

MACHINE EQUIPPED WITH 26'6" EXTENDIBLE CRAWLERS, 48" TREADS, 17' RETRACTABLE GANTRY, 12 PART BOOM HOIST REEVING, FOUR 1-3/8" BOOM PENDANTS, 1ST COUNTERWEIGHT = 41,900 LBS., 2ND COUNTERWEIGHT = 41,500 LBS., 3RD COUNTERWEIGHT = 39,000 LBS., TWO 12,000 LB. SIDE COUNTERWEIGHTS, AND TWO 30,000 LB. CARBODY COUNTERWEIGHTS.

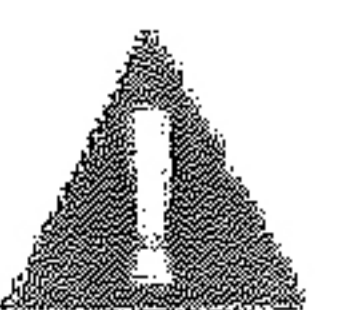
MAXIMUM BOOM LENGTHS LIFTED UNASSISTED			DEDUCT FROM CAPACITIES WHEN UPPER BOOM POINT IS ATTACHED	
LIST	OVER FRONT OF CRAWLERS	OVER SIDE OF EXTENDED CRAWLERS	ONE SHEAVE POINT	TWO SHEAVE POINT
0 DEGREE	250'	250'	1,200 LBS.	1,500 LBS.
1 DEGREE	250'	250'		
2 DEGREE	250'	250'		
3 DEGREE	250'	250'		

LOAD BLOCK, HOOK AND WEIGHT BALL ON BARGE AT START. JIB IS NOT TO BE USED ON CRAWLER MACHINE WHILE OPERATING ON A BARGE.

BOOM LGTH. FEET	OPER. RAD. FEET	BOOM ANG. DEG.	BOOM POINT ELEV. FEET	BOOM CAPACITY 0 DEGREE LIST POUNDS	BOOM CAPACITY 1 DEGREE LIST POUNDS	BOOM CAPACITY 2 DEGREE LIST POUNDS	BOOM CAPACITY 3 DEGREE LIST POUNDS	OPER. RAD. FEET
70	16.5	79.7	75.9	460,000*	375,200*			16.5
	17	79.3	75.8	400,000*	358,600*	326,300*		17
	18	78.5	75.6	380,100*	343,300*	313,700*	283,800*	18
	19	77.6	75.4	363,000*	329,200*	301,200*	275,100*	19
	20	76.8	75.2	347,300*	316,200*	290,200*	262,700*	20
	22	75.1	74.7	319,600*	292,400*	264,700*	240,800*	22
	24	73.4	74.1	293,400*	265,800*	242,600*	222,200*	24
	26	71.7	73.5	266,100	243,400*	223,800*	206,900*	26
	28	69.9	72.8	237,500	220,900	206,100	192,900	28
	30	68.2	72.0	214,300	200,600	188,300	177,100	30
	32	66.4	71.2	195,100	183,700	173,200	163,700	32
	34	64.6	70.3	178,900	169,200	160,300	152,000	34
	36	62.8	69.3	165,200	156,900	149,100	141,900	36
	38	60.9	68.2	153,300	146,100	139,300	133,000	38
	40	59.1	67.0	143,000	136,600	130,700	125,100	40
	45	54.1	63.7	122,100	117,500	113,000	108,800	45
	50	48.9	59.8	106,300	102,800	99,400	95,200	50
55	43.2	55.0	93,900	91,200	88,600	85,100	55	
60	36.9	49.0	84,000	81,900	79,900	77,900	60	
65	29.4	41.3	75,800	74,200	72,600	71,100	65	
70	19.5	30.3	63,900*	63,300*	62,900*	62,500*	70	



This information is for reference use only and must not be used for a specific serial numbered crane.





LIFTCRANE BOOM CAPACITIES

4100W SERIES 2

BOOM NO. 22C WITH OPEN THROAT TOP
 146,400 LB. CRANE COUNTERWEIGHT
 60,000 LB. CARBODY COUNTERWEIGHT
 26'6" CRAWLERS EXTENDED
 CRAWLER MACHINE ON A BARGE
 0 DEGREE THRU 3 DEGREE MACHINE LIST
 NO TRAVEL - 360 DEGREE RATING

BOOM LGTH. FEET	OPER. RAD. FEET	BOOM ANG. DEG.	BOOM POINT ELEV. FEET	BOOM CAPACITY 0 DEGREE LIST POUNDS	BOOM CAPACITY 1 DEGREE LIST POUNDS	BOOM CAPACITY 2 DEGREE LIST POUNDS	BOOM CAPACITY 3 DEGREE LIST POUNDS	OPER. RAD. FEET
80	17	80.6	85.9	392,800*	342,000*	301,300*		17
	18	79.9	85.8	378,900*	336,600*	293,600*		18
	19	79.2	85.6	361,800*	323,800*	281,000*	251,700*	19
	20	78.5	85.4	346,100*	311,100*	268,000*	231,300*	20
	22	77.0	85.0	318,400*	287,200*	256,800*		22
	24	75.5	84.5	292,500*	261,300*	235,700*	213,900*	24
	26	74.0	83.9	265,600*	239,500*	217,700*	198,800*	26
	28	72.5	83.3	237,000	218,400	202,100	185,900*	28
	30	71.0	82.7	213,800	198,400	184,700	172,600	30
	32	69.5	81.9	194,600	181,700	170,100	159,600	32
	34	68.0	81.2	178,500	157,500	157,500	148,400	34
	36	66.4	80.3	164,700	155,200	146,500	138,600	36
	38	64.8	79.4	152,800	144,600	137,000	130,000	38
	40	63.3	78.4	142,400	135,200	128,500	122,300	40
	45	59.2	75.7	121,500	116,200	111,200	106,500	45
	50	54.9	72.5	105,700	101,700	97,800	94,100	50
55	50.4	68.6	93,300	90,200	87,100	84,200	55	
60	45.6	64.1	83,400	80,900	78,400	75,100	60	
65	40.3	58.8	75,200	73,200	71,200	69,300	65	
70	34.4	52.2	68,300	66,700	65,200	63,600	70	
75	27.4	43.9	62,500	61,300	60,000	58,800	75	
80	18.2	32.0	53,900*	53,400*	53,100*	52,800*	80	
90	18	81.1	95.9	355,400*	293,200*			18
	19	80.4	95.7	346,900*	288,900*	255,900*		19
	20	79.8	95.6	336,900*	280,600*	248,700*	222,600*	20
	22	78.5	95.2	317,400*	268,000*	239,300*	206,200*	22
	24	77.2	94.8	291,700*	257,000*	229,300*		24
	26	75.9	94.3	264,800*	235,700*	212,000*	192,000*	26
	28	74.5	93.7	236,500	216,000	197,200*	179,500*	28
	30	73.2	93.2	213,400	196,300	181,400	168,300	30
	32	71.9	92.5	194,200	179,800	167,100	155,800	32
	34	70.5	91.9	178,000	165,800	154,800	145,000	34
	36	69.2	91.1	164,200	153,700	144,100	135,500	36
	38	67.8	90.3	152,300	143,200	134,800	127,200	38
	40	66.4	89.5	142,000	133,900	126,500	119,700	40
	45	62.9	87.1	121,100	115,100	109,500	104,300	45
	50	59.3	84.4	105,200	100,600	96,300	92,200	50
	55	55.5	81.2	92,800	89,200	85,700	82,500	55
60	51.5	77.5	82,900	80,000	77,100	74,500	60	
65	47.3	73.2	74,700	72,300	70,000	67,800	65	
70	42.8	68.2	67,800	65,900	64,000	62,200	70	
75	37.9	62.3	62,000	60,400	58,900	57,300	75	
80	32.4	55.2	57,000	55,700	54,400	53,200	80	
85	25.8	46.2	52,600	51,600	50,600	49,600	85	
90	17.1	33.5	45,900*	45,600*	45,300*	45,000*	90	
100	19	81.4	105.9	332,900*	280,000*			19
	20	80.8	105.7	327,100*	271,800*	240,100*		20
	22	79.6	105.4	316,200*	252,800*	222,400*	198,800*	22
	24	78.5	105.0	290,800*	232,000*	206,500*	185,400*	24
	26	77.3	104.6	263,900*	213,600	192,200*	173,600*	26
	28	76.1	104.1	236,200	194,200	178,100	163,100*	28
	30	74.9	103.6	212,900	178,000	164,200	152,100	30
	32	73.7	103.0	193,700	164,100	152,200	141,700	32
	34	72.5	102.4	177,500	152,100	141,800	132,500	34
	36	71.3	101.7	163,700	141,700	132,600	124,400	36
	38	70.1	101.0	151,800	132,600	124,500	117,200	38
	40	68.9	100.3	141,400	113,900	107,800	102,100	40
	45	65.8	98.2	120,500	99,600	94,800	90,300	45
	50	62.6	95.8	104,700	88,200	84,400	80,800	50
	55	59.3	93.0	92,300	79,000	75,900	72,900	55
	60	55.9	89.9	82,300	71,400	68,800	66,400	60
65	52.4	86.2	74,100	65,000	62,900	60,800	65	
70	48.7	82.1	67,200	59,600	57,700	56,000	70	
75	44.8	77.4	61,400	54,900	53,300	51,900	75	
80	40.5	72.0	56,400	50,800	49,500	48,200	80	
85	35.9	65.6	52,000	47,200	46,100	45,100	85	
90	30.7	58.0	48,200	44,000	43,100	42,300	90	
95	24.5	48.5	44,900	41,000	40,000	39,500*	95	
100	16.3	35.0	39,300*	39,000*	38,700*		100	

This information is for reference use only and must not be used for a specific serial numbered crane.





LIFTCRANE BOOM CAPACITIES _____ 4100W SERIES 2

BOOM NO. 22C WITH OPEN THROAT TOP
 146,400 LB. CRANE COUNTERWEIGHT
 60,000 LB. CARBODY COUNTERWEIGHT
 26'6" CRAWLERS EXTENDED
 CRAWLER MACHINE ON A BARGE
 0 DEGREE THRU 3 DEGREE MACHINE LIST
 NO TRAVEL - 360 DEGREE RATING

BOOM LGTH. FEET	OPER. RAD. FEET	BOOM ANG. DEG.	BOOM POINT ELEV. FEET	BOOM CAPACITY 0 DEGREE LIST POUNDS	BOOM CAPACITY 1 DEGREE LIST POUNDS	BOOM CAPACITY 2 DEGREE LIST POUNDS	BOOM CAPACITY 3 DEGREE LIST POUNDS	OPER. RAD. FEET
110	22	80.6	115.5	291,600*	240,700*			22
	24	79.5	115.2	282,900*	234,500*	204,200*		24
	26	78.5	114.8	263,200*	228,500*	199,700*	177,500*	26
	28	77.4	114.4	235,800	211,100*	187,600*	168,200*	28
	30	76.3	113.9	212,500	192,300	175,000	158,200*	30
	32	75.3	113.4	193,300	176,200	161,500	148,700	32
	34	74.2	112.8	177,100	162,500	149,800	138,600	34
	36	73.1	112.2	163,300	150,700	139,600	129,700	36
	38	72.0	111.6	151,400	140,400	130,600	121,900	38
	40	70.9	110.9	141,000	131,400	122,600	114,800	40
	45	68.1	109.1	120,100	112,900	106,200	100,200	45
	50	65.3	106.9	104,200	98,600	93,400	88,600	50
	55	62.4	104.5	91,800	87,400	83,200	79,300	55
	60	59.4	101.7	81,800	78,200	74,800	71,600	60
	65	56.3	98.5	73,600	70,700	67,800	65,100	65
	70	53.1	95.0	66,800	64,300	61,900	59,600	70
	75	49.8	91.0	60,900	58,900	56,800	54,900	75
	80	46.3	86.5	55,900	54,200	52,400	50,800	80
85	42.6	81.4	51,600	50,100	48,600	47,200	85	
90	38.6	75.6	47,800	46,500	45,200	44,000	90	
95	34.2	68.8	44,400	43,300	42,200	41,200	95	
100	29.2	60.7	41,400	40,500	39,600	38,700	100	
105	23.3	50.6	38,700	38,000	37,200	36,500	105	
110	15.5	36.4	33,900*	33,600*	33,400*	33,200*	110	
120	22	81.4	125.6	285,000*				22
	24	80.4	125.3	271,700*	226,600*			24
	26	79.4	125.0	259,800*	220,900*	193,000*		26
	28	78.5	124.6	235,300	207,900*	182,500*	162,800*	28
	30	77.5	124.2	212,100	190,200	171,300*	153,300*	30
	32	76.5	123.7	192,800	174,400	158,700	144,700*	32
	34	75.5	123.2	176,600	160,900	147,300	135,500	34
	36	74.5	122.7	162,800	149,200	137,300	126,900	36
	38	73.5	122.1	150,900	139,000	128,500	119,300	38
	40	72.5	121.5	140,500	130,000	120,700	112,400	40
	45	70.0	119.8	119,500	111,700	104,600	98,200	45
	50	67.5	117.8	103,700	97,600	92,000	86,900	50
	55	64.8	115.6	91,300	86,400	81,900	77,700	55
	60	62.2	113.1	81,300	77,300	73,600	70,100	60
	65	59.4	110.3	73,100	69,800	66,700	63,800	65
	70	56.6	107.2	66,200	63,500	60,800	58,400	70
	75	53.7	103.7	60,400	58,000	55,800	53,700	75
	80	50.7	99.9	55,300	53,400	51,500	49,600	80
85	47.5	95.5	51,000	49,300	47,600	46,100	85	
90	44.2	90.7	47,200	45,700	44,300	42,900	90	
95	40.7	85.2	43,800	42,500	41,300	40,100	95	
100	36.9	79.0	40,800	39,700	38,600	37,600	100	
105	32.7	71.8	38,100	37,200	36,200	35,300	105	
110	28.0	63.3	35,700	34,900	34,100	33,300	110	
115	22.3	52.6	33,500	32,800	32,200	31,500	115	

This information is for reference use only and must not be used for a specific serial numbered crane.





LIFTCRANE BOOM CAPACITIES _____ 4100W SERIES 2

BOOM NO. 22C WITH OPEN THROAT TOP
 146,400 LB. CRANE COUNTERWEIGHT
 60,000 LB. CARBODY COUNTERWEIGHT
 26'6" CRAWLERS EXTENDED
 CRAWLER MACHINE ON A BARGE
 0 DEGREE THRU 3 DEGREE MACHINE LIST
 NO TRAVEL - 360 DEGREE RATING

BOOM LGTH. FEET	OPER. RAD. FEET	BOOM ANG. DEG.	BOOM POINT ELEV. FEET	BOOM CAPACITY 0 DEGREE LIST POUNDS	BOOM CAPACITY 1 DEGREE LIST POUNDS	BOOM CAPACITY 2 DEGREE LIST POUNDS	BOOM CAPACITY 3 DEGREE LIST POUNDS	OPER. RAD. FEET
130	24	81.2	135.5	260,000*				24
	26	80.3	135.1	248,600*	203,000*			26
	28	79.4	134.8	234,700*	198,400*	170,600*		28
	30	78.5	134.4	211,800	188,400	167,200*	147,200*	30
	32	77.6	134.0	192,500	172,800	156,200	140,800*	32
	34	76.7	133.5	176,300	159,500	145,100	132,800	34
	36	75.7	133.0	162,500	147,900	135,300	124,400	36
	38	74.8	132.5	150,600	137,900	126,700	117,000	38
	40	73.9	131.9	140,200	129,000	119,100	110,400	40
	45	71.6	130.4	119,300	110,800	103,200	96,500	45
	50	69.3	128.6	103,400	96,000	90,900	85,400	50
	55	66.9	126.6	91,000	85,700	80,900	76,400	55
	60	64.5	124.3	81,000	76,700	72,700	69,000	60
	65	62.0	121.8	72,800	69,200	65,900	62,800	65
	70	59.5	119.0	65,900	62,900	60,100	57,400	70
	75	56.9	115.9	60,000	57,500	55,100	52,800	75
	80	54.2	112.5	55,000	52,900	50,800	48,800	80
	85	51.5	108.7	50,700	48,800	47,000	45,300	85
	90	48.6	104.5	46,800	45,200	43,700	42,100	90
	95	45.6	99.8	43,500	42,100	40,700	39,400	95
100	42.4	94.7	40,500	39,200	38,000	36,900	100	
105	39.0	88.9	37,800	36,700	35,600	34,600	105	
110	35.4	82.3	35,300	34,400	33,500	32,600	110	
115	31.4	74.7	33,100	32,300	31,500	30,800	115	
120	26.0	65.7	31,100	30,500	29,800	29,100	120	
125	21.4	54.5	29,300	28,700	28,200	27,600	125	
140	26	81.0	145.3	239,700*	195,500*			26
	28	80.1	144.9	230,800*	191,000*			28
	30	79.3	144.6	211,300	186,500	161,100*		30
	32	78.5	144.2	192,100	171,100	153,600*	136,600*	32
	34	77.6	143.8	175,800	157,900	142,700	129,500*	34
	36	76.8	143.3	162,000	146,500	133,200	121,800	36
	38	75.9	142.8	150,100	136,500	124,700	114,600	38
	40	75.1	142.3	139,700	127,700	117,200	108,100	40
	45	73.0	140.9	118,700	109,700	101,700	94,500	45
	50	70.8	139.2	102,800	95,800	89,500	83,700	50
	55	68.6	137.4	90,400	84,800	79,600	74,900	55
	60	66.4	135.3	80,400	75,800	71,600	67,600	60
	65	64.2	133.0	72,200	68,400	64,800	61,500	65
	70	61.9	130.5	65,300	62,100	59,100	56,200	70
	75	59.5	127.7	59,500	56,700	54,100	51,700	75
	80	57.1	124.6	54,400	52,100	49,800	47,700	80
	85	54.6	121.2	50,100	48,100	46,100	44,200	85
	90	52.1	117.5	46,200	44,500	42,800	41,100	90
	95	49.5	113.4	42,900	41,300	39,800	38,400	95
	100	45.7	108.9	39,900	38,500	37,200	35,900	100
105	43.8	104.0	37,200	36,000	34,800	33,700	105	
110	40.8	98.5	34,700	33,700	32,600	31,600	110	
115	37.5	92.3	32,500	31,600	30,700	29,800	115	
120	34.0	85.4	30,500	29,700	28,900	28,100	120	
125	30.2	77.4	28,700	28,000	27,300	26,600	125	
130	25.8	68.0	27,000	26,400	25,800	25,200	130	
135	20.7	56.4	25,500	25,000	24,400	23,900	135	





LIFTCRANE BOOM CAPACITIES _____ 4100W SERIES 2

**BOOM NO. 22C WITH OPEN THROAT TOP
 146,400 LB. CRANE COUNTERWEIGHT
 60,000 LB. CARBODY COUNTERWEIGHT
 26'6" CRAWLERS EXTENDED
 CRAWLER MACHINE ON A BARGE
 0 DEGREE THRU 3 DEGREE MACHINE LIST
 NO TRAVEL - 360 DEGREE RATING**

BOOM LGTH. FEET	OPER. RAD. FEET	BOOM ANG. DEG.	BOOM POINT ELEV. FEET	BOOM CAPACITY 0 DEGREE LIST POUNDS	BOOM CAPACITY 1 DEGREE LIST POUNDS	BOOM CAPACITY 2 DEGREE LIST POUNDS	BOOM CAPACITY 3 DEGREE LIST POUNDS	OPER. RAD. FEET
150	28	80.8	155.1	218,600*	173,700*			28
	30	80.0	154.7	210,300*	170,100*			30
	32	79.2	154.4	191,600	166,700*	141,800*		32
	34	78.5	154.0	175,400	156,300	139,300*	121,500*	34
	36	77.7	153.6	161,600	145,100	131,100	119,300	36
	38	76.9	153.1	149,600	135,200	122,900	112,300	38
	40	76.1	152.6	139,200	126,500	115,500	106,000	40
	45	74.1	151.3	118,200	108,700	100,200	92,700	45
	50	72.1	149.8	102,400	94,900	88,200	82,200	50
	55	70.1	148.1	89,900	84,000	78,500	73,500	55
	60	68.1	146.2	79,900	75,000	70,500	66,400	60
	65	66.0	144.0	71,700	67,600	63,800	60,300	65
	70	63.9	141.7	64,800	61,400	58,100	55,100	70
	75	61.7	139.1	59,000	56,000	53,300	50,700	75
	80	59.6	136.3	53,900	51,400	49,000	46,700	80
	85	57.3	133.3	49,600	47,400	45,300	43,300	85
	90	55.0	129.9	45,700	43,800	42,000	40,200	90
	95	52.7	126.2	42,400	40,700	39,100	37,500	95
	100	50.2	122.3	39,400	37,900	36,400	35,000	100
	105	47.7	117.9	36,700	35,400	34,100	32,800	105
110	45.0	113.1	34,200	33,100	31,900	30,800	110	
115	42.3	107.9	32,000	31,000	30,000	29,000	115	
120	39.3	102.1	30,000	29,100	28,200	27,300	120	
125	36.2	95.7	28,200	27,400	26,600	25,800	125	
130	32.9	88.4	26,500	25,800	25,100	24,400	130	
135	29.2	80.1	25,000	24,300	23,700	23,100	135	
140	25.0	70.3	23,500	23,000	22,400	21,900	140	
145	19.9	58.2	22,200	21,800	21,300	20,800	145	
160	28	81.4	165.2	208,500*				28
	30	80.6	164.9	203,500*	163,200*			30
	32	79.9	164.5	191,100	159,900*	136,100*		32
	34	79.2	164.2	174,900	154,800	133,700*		34
	36	78.5	163.8	161,000	143,600	129,000	114,800*	36
	38	77.7	163.4	149,100	133,900	120,900	110,000	38
	40	77.0	162.9	138,700	125,200	113,700	103,800	40
	45	75.2	161.7	117,700	107,600	98,700	90,900	45
	50	73.3	160.3	101,800	93,900	86,800	80,500	50
	55	71.4	158.7	89,300	83,000	77,300	72,100	55
	60	69.5	156.9	79,300	74,200	69,400	65,000	60
	65	67.6	154.9	71,100	66,800	62,800	59,100	65
	70	65.6	152.8	64,200	60,600	57,100	54,000	70
	75	63.7	150.4	58,400	55,300	52,300	49,600	75
	80	61.6	147.8	53,300	50,700	48,100	45,700	80
	85	59.6	145.0	49,000	46,600	44,400	42,300	85
	90	57.5	141.9	45,100	43,100	41,100	39,300	90
	95	55.3	138.6	41,800	40,000	38,200	36,500	95
	100	53.1	135.0	38,700	37,200	35,600	34,100	100
	105	50.9	131.1	36,000	34,600	33,200	31,900	105
110	48.5	126.9	33,600	32,400	31,100	29,900	110	
115	46.1	122.2	31,400	30,300	29,200	28,100	115	
120	43.5	117.2	29,400	28,400	27,400	26,400	120	
125	40.9	111.7	27,600	26,700	25,800	24,900	125	
130	38.0	105.6	25,900	25,100	24,300	23,500	130	
135	35.0	98.9	24,300	23,600	22,900	22,200	135	
140	31.8	91.3	22,900	22,300	21,600	21,000	140	
145	28.2	82.6	21,600	21,000	20,500	19,900	145	
150	24.1	72.5	20,400	19,900	19,400	18,900	150	
155	19.3	59.9	19,200*	18,800	18,400	17,900	155	



LIFT CRANE BOOM CAPACITIES

4100W SERIES 2

BOOM NO. 22C WITH OPEN THROAT TOP
 146,400 LB. CRANE COUNTERWEIGHT
 60,000 LB. CARBODY COUNTERWEIGHT
 26'6" CRAWLERS EXTENDED
 CRAWLER MACHINE ON A BARGE
 0 DEGREE THRU 3 DEGREE MACHINE LIST
 NO TRAVEL - 360 DEGREE RATING

BOOM LGTH. FEET	OPER. RAD. FEET	BOOM ANG. DEG.	BOOM POINT ELEV. FEET	BOOM CAPACITY 0 DEGREE LIST POUNDS	BOOM CAPACITY 1 DEGREE LIST POUNDS	BOOM CAPACITY 2 DEGREE LIST POUNDS	BOOM CAPACITY 3 DEGREE LIST POUNDS	OPER. RAD. FEET
170	30	81.2	175.0	192,600*				30
	32	80.5	174.7	188,400*	149,100*			32
	34	79.8	174.3	174,600	146,400*	123,200*		34
	36	79.2	174.0	160,800	142,400	121,200*		36
	38	78.5	173.6	148,800	132,800	119,300*	103,300*	38
	40	77.8	173.1	138,400	124,200	112,200	101,800*	40
	45	76.0	172.0	117,400	106,700	97,400	89,400	45
	50	74.3	170.7	101,500	93,200	85,800	79,300	50
	55	72.5	169.2	89,100	82,400	76,400	71,000	55
	60	70.8	167.5	79,000	73,600	68,600	64,000	60
	65	69.0	165.7	70,800	66,300	62,000	58,200	65
	70	67.2	163.7	63,900	60,100	56,500	53,200	70
	75	65.3	161.5	58,100	54,800	51,700	48,800	75
	80	63.4	159.1	53,000	50,200	47,500	45,000	80
	85	61.5	156.5	48,700	46,200	43,800	41,600	85
	90	59.6	153.6	44,900	42,700	40,600	38,600	90
	95	57.6	150.6	41,500	39,600	37,700	35,900	95
	100	55.6	147.3	38,500	36,800	35,100	33,500	100
	105	53.6	143.7	35,800	34,300	32,800	31,300	105
	110	51.4	139.9	33,300	32,000	30,600	29,400	110
115	49.2	135.8	31,100	29,900	28,700	27,600	115	
120	47.0	131.3	29,100	28,000	27,000	25,900	120	
125	44.6	126.4	27,300	26,300	25,300	24,400	125	
130	42.2	121.1	25,600	24,700	23,800	23,000	130	
135	39.6	115.4	24,100	23,300	22,500	21,700	135	
140	36.9	109.0	22,600	21,900	21,200	20,500	140	
145	34.0	102.0	21,300	20,700	20,000	19,400	145	
150	30.8	94.1	20,100	19,500	18,900	18,300	150	
155	27.3	85.1	18,900	18,400	17,900	17,400	155	
160	23.4	74.6	17,600	17,400	17,000	16,500	160	
165	18.7	61.6	16,400*	16,200*	16,100	15,700	165	
180	32	81.1	184.8	180,000*				32
	34	80.4	184.5	174,100*	139,700*			34
	36	79.8	184.1	160,300	137,200*	115,900*		36
	38	79.1	183.8	148,300	131,500	114,000*		38
	40	78.5	183.4	137,900	123,000	110,500	97,400*	40
	45	76.8	182.3	116,900	105,700	96,000	87,600	45
	50	75.2	181.0	101,000	92,200	84,500	77,700	50
	55	73.5	179.6	88,500	81,500	75,200	69,600	55
	60	71.9	178.1	78,500	72,700	67,500	62,800	60
	65	70.2	176.4	70,300	65,500	61,000	57,000	65
	70	68.5	174.5	63,400	59,300	55,500	52,100	70
	75	66.8	172.4	57,500	54,000	50,800	47,700	75
	80	65.0	170.2	52,500	49,500	46,600	44,000	80
	85	63.3	167.8	48,100	45,500	43,000	40,700	85
	90	61.5	165.1	44,300	42,000	39,800	37,700	90
	95	59.6	162.3	40,900	38,900	36,900	35,000	95
	100	57.6	159.3	37,900	36,100	34,300	32,600	100
	105	55.9	156.0	35,200	33,600	32,000	30,500	105
	110	53.9	152.5	32,700	31,300	29,900	28,500	110
	115	51.9	148.7	30,500	29,200	28,000	26,700	115
120	49.9	144.6	28,500	27,400	26,200	25,100	120	
125	47.8	140.3	26,700	25,700	24,600	23,600	125	
130	45.6	135.6	25,000	24,100	23,100	22,200	130	
135	43.3	130.5	23,500	22,600	21,700	20,900	135	
140	40.9	124.9	22,000	21,300	20,500	19,700	140	
145	38.4	118.9	20,700	20,000	19,300	18,600	145	
150	35.8	112.3	19,500	18,800	18,200	17,500	150	
155	33.0	105.0	18,300	17,800	17,200	16,600	155	
160	29.9	96.8	17,200	16,800	16,200	15,700	160	
165	26.6	87.5	16,200	15,800	15,300	14,900	165	
170	22.7	76.6	15,300	14,900	14,500	14,100	170	
175	18.2	63.2	13,500*	13,400*	13,200*	13,000*	175	





LIFTCRANE BOOM CAPACITIES _____ 4100W SERIES 2

**BOOM NO. 22C WITH OPEN THROAT TOP
 146,400 LB. CRANE COUNTERWEIGHT
 60,000 LB. CARBODY COUNTERWEIGHT
 26'6" CRAWLERS EXTENDED
 CRAWLER MACHINE ON A BARGE
 0 DEGREE THRU 3 DEGREE MACHINE LIST
 NO TRAVEL - 360 DEGREE RATING**

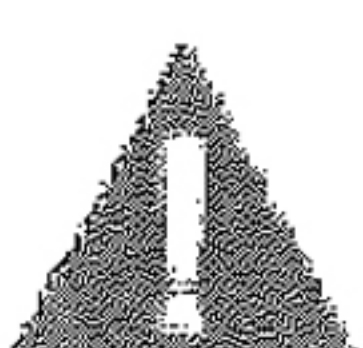
BOOM LGTH. FEET	OPER. RAD. FEET	BOOM ANG. DEG.	BOOM POINT ELEV. FEET	BOOM CAPACITY 0 DEGREE LIST POUNDS	BOOM CAPACITY 1 DEGREE LIST POUNDS	BOOM CAPACITY 2 DEGREE LIST POUNDS	BOOM CAPACITY 3 DEGREE LIST POUNDS	OPER. RAD. FEET
190	32	81.5	194.9	171,000*				32
	34	80.9	194.6	166,100*	129,500*			34
	36	80.3	194.3	159,800	127,300*			36
	38	79.7	193.9	147,900	125,100*	104,500*		38
	40	79.1	193.6	137,400	121,800	102,900*		40
	45	77.5	192.5	116,400	104,600	94,600	85,300*	45
	50	76.0	191.4	100,500	91,300	83,300	76,200	50
	55	74.4	190.0	88,000	80,700	74,100	68,300	55
	60	72.9	188.6	78,000	71,900	66,500	61,600	60
	65	71.3	186.9	69,700	64,700	60,100	55,900	65
	70	69.7	185.2	62,800	58,600	54,600	51,000	70
	75	68.1	183.2	57,000	53,300	49,900	46,800	75
	80	66.4	181.1	52,000	48,800	45,800	43,100	80
	85	64.8	178.9	47,600	44,800	42,200	39,800	85
	90	63.1	176.4	43,800	41,300	39,000	36,800	90
	95	61.4	173.8	40,400	38,200	36,200	34,200	95
	100	59.7	171.0	37,400	35,500	33,600	31,800	100
	105	57.9	167.9	34,700	33,000	31,300	29,700	105
	110	56.1	164.7	32,200	30,700	29,200	27,800	110
	115	54.3	161.2	30,000	28,600	27,300	26,000	115
120	52.4	157.5	28,000	26,800	25,500	24,300	120	
125	50.4	153.5	26,200	25,100	23,900	22,800	125	
130	48.5	149.2	24,500	23,500	22,400	21,500	130	
135	46.4	144.6	22,900	22,000	21,100	20,200	135	
140	44.3	139.7	21,500	20,700	19,800	19,000	140	
145	42.1	134.4	20,200	19,400	18,600	17,900	145	
150	39.8	128.6	18,900	18,300	17,500	16,800	150	
155	37.4	122.3	17,800	17,200	16,500	15,900	155	
160	34.8	115.5	16,700	16,200	15,600	15,000	160	
165	32.1	107.9	15,700	15,200	14,700	14,100	165	
170	29.1	99.4	14,800	14,300	13,800	13,400	170	
175	25.8	89.8	13,900	13,500	13,100	12,600	175	
180	22.1	78.6	13,100	12,700	12,300	11,900	180	
185	17.7	64.8	11,000*	10,800*	10,700*	10,500*	185	
200	34	81.4	204.7	157,200*				34
	36	80.8	204.4	153,500*	120,100*			36
	38	80.2	204.1	147,400	118,100*			38
	40	79.6	203.7	136,900	116,100*	97,300*		40
	45	78.2	202.8	115,900	103,600	93,100	77,800*	45
	50	76.7	201.8	100,000	90,300	82,000	74,700	50
	55	75.2	200.4	87,500	79,800	72,900	66,900	55
	60	73.7	199.0	77,400	71,100	65,400	60,300	60
	65	72.2	197.5	69,200	63,900	59,100	54,800	65
	70	70.7	195.8	62,300	57,800	53,700	49,900	70
	75	69.2	194.0	56,400	52,600	49,000	45,800	75
	80	67.7	192.0	51,400	48,100	44,900	42,100	80
	85	66.1	189.9	47,000	44,100	41,400	38,800	85
	90	64.5	187.6	43,200	40,600	38,200	35,900	90
	95	62.9	185.1	39,800	37,500	35,400	33,300	95
	100	61.3	182.5	36,800	34,800	32,800	31,000	100
	105	59.7	179.6	34,100	32,300	30,500	28,900	105
	110	58.0	176.6	31,600	30,000	28,400	26,900	110
	115	56.3	173.4	29,400	28,000	26,500	25,200	115
	120	54.5	169.9	27,400	26,100	24,800	23,500	120
125	52.8	166.3	25,600	24,400	23,200	22,000	125	
130	50.9	162.3	23,900	22,800	21,700	20,700	130	
135	49.1	158.1	22,300	21,400	20,400	19,400	135	
140	47.2	153.6	20,900	20,000	19,100	18,200	140	
145	45.2	148.8	19,600	18,800	17,900	17,100	145	
150	43.1	143.7	18,300	17,600	16,800	16,100	150	
155	41.0	138.2	17,200	16,500	15,800	15,100	155	
160	38.7	132.2	16,100	15,500	14,900	14,200	160	
165	36.4	125.7	15,100	14,600	14,000	13,400	165	
170	33.9	118.6	14,200	13,700	13,100	12,600	170	
175	31.2	110.7	13,300	12,800	12,300	11,800	175	
180	28.4	102.0	12,400	12,100	11,600	11,100	180	
185	25.2	92.1	11,700	11,300	10,900	10,500	185	
190	21.6	80.5	10,900	10,600	10,200	9,900	190	
195	17.3	66.3	8,500*	8,400*	8,200*	8,100*	195	



LIFTCRANE BOOM CAPACITIES _____ 4100W SERIES 2

BOOM NO. 22C WITH OPEN THROAT TOP
 146,400 LB. CRANE COUNTERWEIGHT
 60,000 LB. CARBODY COUNTERWEIGHT
 26'6" CRAWLERS EXTENDED
 CRAWLER MACHINE ON A BARGE
 0 DEGREE THRU 3 DEGREE MACHINE LIST
 NO TRAVEL - 360 DEGREE RATING

BOOM LGTH. FEET	OPER. RAD. FEET	BOOM ANG. DEG.	BOOM POINT ELEV. FEET	BOOM CAPACITY 0 DEGREE LIST POUNDS	BOOM CAPACITY 1 DEGREE LIST POUNDS	BOOM CAPACITY 2 DEGREE LIST POUNDS	BOOM CAPACITY 3 DEGREE LIST POUNDS	OPER. RAD. FEET
210	36	81.2	214.6	146,000*				36
	38	80.7	214.2	143,300*	111,900*			38
	40	80.1	213.9	136,600	110,100*			40
	45	78.7	213.0	115,500	102,700	87,600*		45
	50	77.3	211.9	99,600	89,600	80,900	68,500*	50
	55	75.9	210.7	87,100	79,100	72,000	65,800	55
	60	74.5	209.4	77,100	70,500	64,600	59,300	60
	65	73.1	208.0	68,800	63,300	58,300	53,800	65
	70	71.7	206.4	61,900	57,300	53,000	49,100	70
	75	70.2	204.6	56,100	52,100	48,400	45,000	75
	80	68.8	202.8	51,000	47,600	44,300	41,300	80
	85	67.3	200.8	46,700	43,600	40,800	38,100	85
	90	65.8	198.6	42,800	40,200	37,600	35,300	90
	95	64.3	196.3	39,400	37,100	34,800	32,700	95
	100	62.8	193.8	36,400	34,300	32,300	30,400	100
	105	61.3	191.1	33,700	31,800	30,000	28,300	105
	110	59.7	188.3	31,300	29,600	27,900	26,400	110
	115	58.1	185.3	29,100	27,600	26,000	24,600	115
	120	56.5	182.1	27,100	25,700	24,300	23,000	120
	125	54.8	178.6	25,200	24,000	22,700	21,500	125
130	53.1	175.0	23,500	22,400	21,300	20,200	130	
135	51.4	171.1	22,000	21,000	19,900	18,900	135	
140	49.6	167.0	20,600	19,600	18,600	17,700	140	
145	47.8	162.6	19,200	18,400	17,500	16,600	145	
150	46.0	157.9	18,000	17,200	16,400	15,600	150	
155	44.0	152.9	16,800	16,100	15,400	14,600	155	
160	42.0	147.6	15,800	15,100	14,400	13,700	160	
165	39.9	141.8	14,800	14,200	13,500	12,900	165	
170	37.8	135.6	13,800	13,300	12,700	12,100	170	
175	35.5	128.9	12,900	12,400	11,900	11,400	175	
180	33.1	121.6	12,100	11,700	11,200	10,700	180	
185	30.5	113.5	11,300	10,900	10,500	10,000	185	
190	27.7	104.5	10,600	10,200	9,800	9,400	190	
195	24.6	94.3	9,900	9,600	9,200	8,800	195	
200	21.0	82.4	8,800*	8,600*	8,500*	8,300	200	
205	16.8	67.8	6,500*	6,500*	6,300*	6,200*	205	





LIFTCRANE BOOM CAPACITIES _____ 4100W SERIES 2

BOOM NO. 22C WITH OPEN THROAT TOP
 146,400 LB. CRANE COUNTERWEIGHT
 60,000 LB. CARBODY COUNTERWEIGHT
 26'6" CRAWLERS EXTENDED
 CRAWLER MACHINE ON A BARGE
 0 DEGREE THRU 3 DEGREE MACHINE LIST
 NO TRAVEL - 360 DEGREE RATING

BOOM LGTH. FEET	OPER. RAD. FEET	BOOM ANG. DEG.	BOOM POINT ELEV. FEET	BOOM CAPACITY 0 DEGREE LIST POUNDS	BOOM CAPACITY 1 DEGREE LIST POUNDS	BOOM CAPACITY 2 DEGREE LIST POUNDS	BOOM CAPACITY 3 DEGREE LIST POUNDS	OPER. RAD. FEET
220	38	81.1	224.4	135,900*				38
	40	80.6	224.0	133,400*	104,200*			40
	45	79.3	223.2	115,000	100,200*			45
	50	77.9	222.1	99,100	88,600	77,400*		50
	55	76.6	221.0	86,600	78,200	70,900	60,100*	55
	60	75.3	219.8	76,600	69,700	63,500	58,100	60
	65	73.9	218.4	68,300	62,500	57,400	52,700	65
	70	72.5	216.9	61,400	56,500	52,100	48,100	70
	75	71.2	215.2	55,500	51,400	47,500	44,000	75
	80	69.8	213.5	50,500	46,900	43,500	40,400	80
	85	68.4	211.6	46,100	43,000	40,000	37,200	85
	90	67.0	209.5	42,300	39,500	36,800	34,400	90
	95	65.6	207.3	38,900	36,400	34,000	31,800	95
	100	64.1	205.0	35,800	33,700	31,500	29,500	100
	105	62.7	202.5	33,100	31,200	29,300	27,500	105
	110	61.2	199.8	30,700	28,900	27,200	25,600	110
	115	59.7	196.9	28,500	26,900	25,300	23,800	115
	120	58.2	193.9	26,500	25,000	23,600	22,200	120
	125	56.6	190.7	24,600	23,300	22,000	20,800	125
	130	55.1	187.3	23,000	21,800	20,600	19,400	130
	135	53.5	183.8	21,400	20,300	19,200	18,100	135
140	51.8	179.9	20,000	19,000	18,000	17,000	140	
145	50.1	175.9	18,600	17,700	16,800	15,900	145	
150	48.4	171.6	17,400	16,600	15,700	14,900	150	
155	46.7	167.0	16,300	15,500	14,700	13,900	155	
160	44.8	162.1	15,200	14,500	13,700	13,000	160	
165	43.0	156.9	14,200	13,500	12,800	12,200	165	
170	41.0	151.4	13,200	12,700	12,000	11,400	170	
175	39.0	145.4	12,300	11,800	11,200	10,600	175	
180	36.9	139.0	11,500	11,000	10,500	9,900	180	
185	34.6	132.1	10,700	10,300	9,800	9,300	185	
190	32.3	124.5	10,000	9,600	9,100	8,700	190	
195	29.8	116.2	9,300	8,900	8,500	8,100	195	
200	27.0	106.9	8,600	8,300	7,900	7,500	200	
205	24.0	96.4	8,000	7,700	7,300	7,000	205	
210	20.6	84.2	6,500*	6,300*	6,200*	6,000*	210	
215	16.4	69.3	4,400*	4,300*	4,200*	4,100*	215	



LIFTCRANE BOOM CAPACITIES _____ 4100W SERIES 2

BOOM NO. 22C WITH OPEN THROAT TOP
 146,400 LB. CRANE COUNTERWEIGHT
 60,000 LB. CARBODY COUNTERWEIGHT
 26'6" CRAWLERS EXTENDED
 CRAWLER MACHINE ON A BARGE
 0 DEGREE THRU 3 DEGREE MACHINE LIST
 NO TRAVEL - 360 DEGREE RATING

BOOM LGTH. FEET	OPER. RAD. FEET	BOOM ANG. DEG.	BOOM POINT ELEV. FEET	BOOM CAPACITY 0 DEGREE LIST POUNDS	BOOM CAPACITY 1 DEGREE LIST POUNDS	BOOM CAPACITY 2 DEGREE LIST POUNDS	BOOM CAPACITY 3 DEGREE LIST POUNDS	OPER. RAD. FEET
230	30	81.5	234.5	132,900*				30
	40	81.0	234.2	125,200*				40
	45	79.7	233.3	114,500	93,300*			45
	50	78.5	232.4	98,600	87,700			50
	55	77.2	231.3	86,100	77,400	68,400*		55
	60	75.9	230.1	76,100	68,900	62,500	52,700*	60
	65	74.6	228.8	67,800	61,800	55,400	51,700	65
	70	73.3	227.3	60,900	55,800	51,200	47,100	70
	75	72.0	225.8	55,000	50,700	46,700	43,000	75
	80	70.7	224.1	50,000	46,200	42,700	39,500	80
	85	69.4	222.3	45,600	42,300	39,200	36,400	85
	90	68.0	220.3	41,700	38,900	36,100	33,600	90
	95	66.7	218.2	38,400	35,800	33,300	31,000	95
	100	65.3	216.0	35,300	33,000	30,000	28,800	100
	105	64.0	213.6	32,600	30,500	28,600	26,700	105
	110	62.6	211.1	30,200	28,300	26,500	24,800	110
	115	61.1	208.4	28,000	26,300	24,700	23,100	115
	120	59.7	205.6	26,000	24,500	22,900	21,500	120
	125	58.3	202.6	24,100	22,800	21,400	20,100	125
	130	56.8	199.4	22,400	21,200	19,900	18,700	130
	135	55.3	196.1	20,900	19,700	18,600	17,500	135
	140	53.8	192.5	19,400	18,400	17,300	16,300	140
145	52.2	188.7	18,100	17,200	16,200	15,200	145	
150	50.6	184.7	16,900	16,000	15,100	14,200	150	
155	49.0	180.5	15,700	14,900	14,100	13,200	155	
160	47.3	176.0	14,700	13,900	13,100	12,400	160	
165	45.6	171.3	13,600	13,000	12,200	11,500	165	
170	43.8	166.2	12,700	12,100	11,400	10,700	170	
175	42.0	160.8	11,800	11,300	10,600	10,000	175	
180	40.1	155.1	11,000	10,500	9,900	9,300	180	
185	38.1	148.9	10,200	9,700	9,200	8,600	185	
190	36.0	142.3	9,400	9,000	8,500	8,000	190	
195	33.9	135.1	8,700	8,400	7,900	7,400	195	
200	31.6	127.4	8,100	7,700	7,300	6,900	200	
205	29.1	118.8	7,400	7,100	6,700	6,300	205	
210	26.4	109.3	6,800*	6,600	6,200	5,800	210	
215	23.5	98.5	6,100*	6,000*	5,700	5,300	215	
220	20.1	86.0	4,400*	4,300*	4,100*	4,000*	220	

SALE





LIFTCRANE BOOM CAPACITIES _____ 4100W SERIES 2

**BOOM NO. 22C WITH OPEN THROAT TOP
 146,400 LB. CRANE COUNTERWEIGHT
 60,000 LB. CARBODY COUNTERWEIGHT
 26'6" CRAWLERS EXTENDED
 CRAWLER MACHINE ON A BARGE
 0 DEGREE THRU 3 DEGREE MACHINE LIST
 NO TRAVEL - 360 DEGREE RATING**

BOOM LGTH. FEET	OPER. RAD. FEET	BOOM ANG. DEG.	BOOM POINT ELEV. FEET	BOOM CAPACITY 0 DEGREE LIST POUNDS	BOOM CAPACITY 1 DEGREE LIST POUNDS	BOOM CAPACITY 2 DEGREE LIST POUNDS	BOOM CAPACITY 3 DEGREE LIST POUNDS	OPER. RAD. FEET
2 4 0	40	81.4	244.3	123,400 ^M				40
	45	80.2	243.5	112,600 ^M				45
	50	78.9	242.6	98,100	82,600 ^M			50
	55	77.7	241.5	85,600	76,600			55
	60	76.5	240.4	75,600	68,100	60,300 ^M		60
	65	75.3	239.1	67,300	61,100	55,500		65
	70	74.0	237.8	60,400	55,100	50,300	45,700 ^M	70
	75	72.8	236.3	54,500	50,000	45,800	42,100	75
	80	71.5	234.7	49,500	45,600	41,900	38,600	80
	85	70.3	232.9	45,100	41,700	38,400	35,500	85
	90	69.0	231.1	41,200	38,200	35,400	32,700	90
	95	67.7	229.1	37,800	35,200	32,600	30,200	95
	100	66.4	227.0	34,800	32,400	30,100	28,000	100
	105	65.1	224.7	32,100	30,000	27,900	25,900	105
	110	63.8	222.3	29,700	27,700	25,800	24,100	110
	115	62.5	219.8	27,400	25,700	24,000	22,400	115
	120	61.1	217.1	25,400	23,900	22,300	20,800	120
	125	59.7	214.3	23,600	22,200	20,700	19,400	125
	130	58.3	211.3	21,900	20,600	19,300	18,000	130
	135	56.9	208.1	20,300	19,200	17,900	16,800	135
	140	55.5	204.8	18,900	17,800	16,700	15,600	140
	145	54.0	201.2	17,600	16,600	15,500	14,500	145
150	52.5	197.5	16,300	15,400	14,500	13,500	150	
155	51.0	193.6	15,200	14,400	13,400	12,600	155	
160	49.5	189.4	14,100	13,300	12,500	11,700	160	
165	47.9	185.0	13,100	12,400	11,600	10,900	165	
170	46.2	180.3	12,200	11,500	10,800	10,100	170	
175	44.6	175.4	11,300	10,700	10,000	9,300	175	
180	42.8	170.2	10,400	9,900	9,300	8,600	180	
185	41.0	164.6	9,600	9,100	8,600	8,000	185	
190	39.2	158.7	8,900	8,400	7,900	7,400	190	
195	37.3	152.3	8,200	7,800	7,300	6,800	195	
200	35.2	145.5	7,500 ^M	7,100	6,700	6,200	200	
205	33.1	138.2	6,700 ^M	6,500 ^M	6,100	5,700	205	
210	30.9	130.1	6,000 ^M	5,800 ^M	5,500 ^M	5,200	210	
215	28.5	121.4	5,300 ^M	5,200 ^M	4,900 ^M	4,700	215	
220	25.8	111.6	4,700 ^M	4,500 ^M	4,300 ^M	4,100 ^M	220	
225	23.0	100.6	4,000 ^M				225	



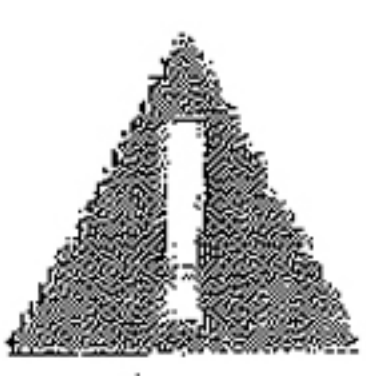
LIFTCRANE BOOM CAPACITIES

4100W SERIES 2

BOOM NO. 22C WITH OPEN THROAT TOP
 146,400 LB. CRANE COUNTERWEIGHT
 60,000 LB. CARBODY COUNTERWEIGHT
 26'6" CRAWLERS EXTENDED
 CRAWLER MACHINE ON A BARGE
 0 DEGREE THRU 3 DEGREE MACHINE LIST
 NO TRAVEL - 360 DEGREE RATING

BOOM LGTH. FEET	OPER. RAD. FEET	BOOM ANG. DEG.	BOOM POINT ELEV. FEET	BOOM CAPACITY 0 DEGREE LIST POUNDS	BOOM CAPACITY 1 DEGREE LIST POUNDS	BOOM CAPACITY 2 DEGREE LIST POUNDS	BOOM CAPACITY 3 DEGREE LIST POUNDS	OPER. RAD. FEET
250	45	80.6	253.6	106,600*				45
	50	79.4	252.7	97,800				50
	55	78.2	251.7	85,200	73,800*			55
	60	77.1	250.7	75,200	67,500			60
	65	75.9	249.4	66,900	60,500	53,400*		65
	70	74.7	248.1	60,000	54,500	49,600		70
	75	73.5	246.7	54,100	49,400	45,200	40,100*	75
	80	72.3	245.2	49,100	45,000	41,300	37,900	80
	85	71.1	243.5	44,700	41,200	37,800	34,800	85
	90	69.9	241.7	40,800	37,700	34,800	32,100	90
	95	68.7	239.9	37,400	34,700	32,000	29,600	95
	100	67.4	237.8	34,400	32,000	29,600	27,400	100
	105	66.2	235.7	31,700	29,500	27,300	25,300	105
	110	64.9	233.4	29,300	27,300	25,300	23,500	110
	115	63.6	231.0	27,100	25,300	23,500	21,800	115
	120	62.4	228.5	25,000	23,400	21,800	20,200	120
	125	61.1	225.8	23,200	21,700	20,200	18,800	125
	130	59.7	222.9	21,500	20,200	18,800	17,500	130
	135	58.4	219.9	20,000	18,700	17,400	16,200	135
	140	57.0	216.8	18,500	17,400	16,200	15,100	140
	145	55.7	213.4	17,200	16,200	15,100	14,000	145
	150	54.3	209.9	16,000	15,000	14,000	13,000	150
155	52.8	206.3	14,800	13,900	13,000	12,100	155	
160	51.4	202.4	13,700	12,900	12,000	11,200	160	
165	49.9	198.3	12,700	12,000	11,200	10,400	165	
170	48.4	193.9	11,800	11,100	10,300	9,600	170	
175	46.8	189.4	10,900	10,300	9,500	8,900	175	
180	45.3	184.6	10,100	9,500	8,800	8,200	180	
185	43.6	179.5	9,300	8,700	8,100	7,500	185	
190	41.9	174.1	8,500	8,000	7,400	6,900	190	
195	40.2	168.3	7,800*	7,400	6,800	6,300	195	
200	38.4	162.2	7,000*	6,700*	6,200	5,700	200	
205	36.5	155.7	6,200*	5,900*	5,600*	5,200	205	
210	34.5	148.7	5,500*	5,200*	4,900*	4,600*	210	
215	32.4	141.1	4,800*	4,600*	4,300*	4,000*	215	
220	30.2	132.9	4,100*	4,000*			220	

206,400





LIFTCRANE BOOM CAPACITIES _____ 4100W SERIES 2

BOOM NO. 22C WITH OPEN THROAT TOP
 146,400 LB. CRANE COUNTERWEIGHT
 60,000 LB. CARBODY COUNTERWEIGHT
 26'6" CRAWLERS EXTENDED
 CRAWLER MACHINE ON A BARGE
 0 DEGREE THRU 3 DEGREE MACHINE LIST
 NO TRAVEL - 360 DEGREE RATING

BOOM LGTH. FEET	OPER. RAD. FEET	BOOM ANG. DEG.	BOOM POINT ELEV. FEET	BOOM CAPACITY 0 DEGREE LIST POUNDS
260	45	80.9	263.8	104,800*
	50	79.8	262.9	95,700*
	55	78.7	262.0	84,700
	60	77.6	260.9	74,700
	65	76.4	259.7	66,400
	70	75.3	258.5	59,500
	75	74.2	257.1	53,600
	80	73.0	255.6	48,500
	85	71.8	254.1	44,100
	90	70.7	252.4	40,300
	95	69.5	250.6	35,900
	100	68.3	248.6	33,900
	105	67.1	246.6	31,100
	110	65.9	244.4	28,700
	115	64.7	242.1	26,500
	120	63.5	239.7	24,500
	125	62.3	237.1	22,600
	130	61.0	234.4	20,900
	135	59.7	231.6	19,400
	140	58.5	228.6	17,900
	145	57.2	225.5	15,600
150	55.8	222.1	15,400	
155	54.5	218.7	14,200	
160	53.1	215.0	13,100	
165	51.7	211.2	12,100	
170	50.3	207.1	11,200	
175	48.9	202.9	10,300	
180	47.4	198.4	9,500	
185	45.9	193.7	8,700	
190	44.3	188.7	7,900*	
195	42.7	183.4	7,000*	
200	41.1	177.8	6,200*	
205	39.4	171.9	5,400*	
210	37.6	165.6	4,700*	
215	35.8	158.9	4,000*	



WEIGHTS
4100W SERIES-1 and 2

DESCRIPTION

**APPROXIMATE WEIGHT
(POUNDS)**

Liftcrane — with 70' No. 22C boom, crane counterweight, universal gantry with telescopic backhitch, 26'6" crawlers with 48" treads, full width tandem drums, independent swing, independent boom hoist, Cummins NTA-855-C360 engine, 27-5/8" diameter lagging for rear drum, boom hoist rope, equalizer, telescopic air cushioned boom stop, 200 ton hook block, 15 ton hook and weight ball, single sheave upper boom point, and upper wire rope guide S-1 — 366,575 *
S-2 — 450,575 *

Upperworks — with Cummins NTA-855-C360 engine, independent swing, independent boom hoist, and 27-5/8" diameter lagging for rear drum; **LESS** boom, gantry and backhitch, equalizer, hook block, weight ball, counterweight, telescopic air cushioned boom stop and catwalk 80,620 *

Upperworks — as above with gantry and backhitch, equalizer, boom hoist rope, and carbody; **LESS** crawlers 141,365 *

*Weights do not include hoist line, whip line or fuel. For Caterpillar D-343TA **add** 1,170 lbs.; for Caterpillar 3406 PCTA **add** 100 lbs.; for GM 12V-71N **add** 600 lbs.

Carbody — with roller path, ring gear, and king pin; **LESS** crawlers 49,700

Crawlers — 26'6" with 48" treads 38,405 each

Counterweight

Inner (Self-Removing) 41,900
Middle (Self-Removing) 41,500
Outer (Self-Removing) 39,000
Upper Side (2) (Series-2 only) 12,000 each
Carbody (2) (Series-2 only) 30,000 each

No. 22C Open Throat Boom Top

Boom Top — 40' (with lower boom point assembly) 8,770
Basic Pendant — 40' 9-3/4" (4) 250 each
Upper Boom Point (single sheave) 1,260
(double sheave) 1,510
Jib Adapter 540
Offset Link (2) 60 each

No. 22A Light Tapered Boom Top

Tapered Boom Top — 50' (with lower boom point assembly) 5,980
Tapered Boom Insert — 30' 3,610
Basic Pendant — 40' 9-3/4" (4) 250 each
Upper Boom Point 720
Wire Rope Anchor Joint 140

No. 22A Hammerhead Boom Top

Boom Top — 10' (with boom point and wire rope guide assembly) 5,510
Tapered Boom Insert — 30' 3,610
Basic Pendant — 37'11" (4) 215 each
Upper Boom Point 275

DESCRIPTION**APPROXIMATE WEIGHT
(POUNDS)****No. 22A and 22C Boom Butt, Inserts, and Pendants**

Boom Butt — 30'0"	6,320
Boom Insert — 40'0" (with Jib Backstay and Wire Rope Roller Guide)	4,560
Boom Insert — 40'0"	4,460
Boom Insert — 20'0"	2,480
Boom Insert — 10'0"	1,400
Pendant — 40' (4 per Insert)	215 each
Pendant — 20' (4 per Insert)	155 each
Pendant — 10' (4 per Insert)	115 each
Pendant Spreader Bar	440
Wire Rope Guide Assembly (Upper)	550
Wire Rope Guide Assembly (Lower)	325
Wire Rope Roller Guide Assembly	55
Equalizer with Pendant Links	2,160
Telescopic Boom Stop	675
Platform for Butt	100
Removable Equalizer Rail (2)	50 each
Pendant Attaching Lug with Link for Boom Handling (2)	250 each
Pendant Rubbing Frame (4)	50 each

No. 123 Jib

Jib Top — 15'0" (with Jib Point)	695
Jib Butt — 15'0"	600
Jib Insert — 10'0"	340
Basic Pendant — 33' 3-3/4" (2)	115 each
Pendant — 10' (2 per Insert)	65 each
Jib Backstay Pendant — 50'4" (2)	90 each
Jib Strut — 12'6"	390

Components

Hook Rollers with Shafts (6)	170 each
Light Plant with Mounting Platform — 6.5 KW	1,390
Catwalk — Right and Left Side with Rails	1,320
Lagging — 27-5/8" Diameter (Plain)	1,440
12 - Part Gantry with Telescopic Backhitch	7,805
Boom Hoist Wire Rope — 12 Part, 760' of 7/8" 6x26	1,080
Hoist Line — 1-1/8" 6x31	2.34 lbs./ft.
Whip Line — 1-1/8" 6x31	2.34 lbs./ft.
15 Ton Hook and Weight Ball	865
100 Ton Hook Block Assembly (LESS 2-1,225 Lbs. Weight Plates)	3,220
200 Ton Hook Block Assembly	4,815
230 Ton Hook Block Assembly	5,660
Dragline Fairlead — Revolving	1,910
Dragline Fairlead — Hinged	8,180

NOTE Weights may fluctuate $\pm 5\%$ due to manufacturing tolerances. Also, weights of various small components have been omitted from this weight sheet.

DESCRIPTION

NOTE Weights may fluctuate $\pm 5\%$ due to manufacturing tolerances. Also, weights of various small components have been omitted from this weight sheet.

APPROXIMATE WEIGHT (POUNDS)

Liftcrane — with 33 foot stationary tower with container handling system, 80 foot number 22A boom, 242,400 pounds crane counterweight, elevated operator's cab with stairway, gantry, full width front and rear drums with 19-7/8 inch diameter grooved lagging on each drum, independent swing, independent boom hoist with boom hoist wire rope, Cummins NTA-885-C400 engine with VICON® controlled torque converters, 26 foot 6 inch crawlers with 48 inch treads, telescopic air cushioned boom stops, sheave carrier, upper wire rope guide assembly, two container handling blocks, and two 40 ton swivel hook blocks	502,280 *
Upperworks — with Cummins NTA-855-C400 engine with VICON controlled converters, full width front and rear drums with 19-7/8 inch grooved lagging on each drum, independent swing, and independent boom hoist; LESS crane counterweights, elevated operators cab with stairway, gantry, boom hoist wire rope, stationary tower with tagline drums, boom, sheave carrier, telescopic boom stops, two container handling blocks, and two 40 ton swivel hook blocks...	77,375 *
Upperworks — as above with gantry, boom hoist wire rope, sheave carrier, and carbody; LESS crawlers...	133,385 *
*Weights do not include hoist line, whip line, fuel and lubricants.	
Carbody — with roller path, ring gear, and king pin; LESS crawlers	47,760
Crawlers — 26 foot 6 inches with 48 inch treads.....	38,730 each
Counterweight	
Inner (self-removing)	41,900
Middle (self-removing)	41,500
Outer (self-removing)	39,000
Upper Side (2)	30,000 each
Carbody (2)	30,000 each
33 Foot Stationary Tower	
Tower — 33'-0" (with container handling system)	10,275
Boom Strut	1,600
Main Strut	2,260
Link (2)	485 each
Tower Cap Wire Rope Guide	865
Sheave Carrier	1,390
Tower Backstay	2,535
Strut for Tower Backstay (2)	35 each
Pendant Link (2)	125 each
Fairlead Assembly (2)	105 each
Sheave Assembly (with mounting channel)	340
Winch Assembly (with mounting plate)	1,215
Boom No. 22A	
Boom Butt — 30'-0" (with wire rope roller guide and strut supports)	6,320
Boom Top — 50'-0" (with sheaves in point, two wedge sockets, and wire rope roller guide)	7,010
Boom Insert 40'-0"	4,300
Boom Insert 20'-0"	2,450
Boom Insert 10'-0"	1,450
Basic Pendant — 68'-4" (4)	280 each
Pendant — 40'-0" (4)	175 each
Pendant — 20'-0" (4)	125 each
Pendant — 10'-0" (4)	90 each
Wire Rope Guide Assembly (boom top)	325
Wire Rope Roller Guide Assembly (inserts)	55 each
Pendant Link with Pin (2)	90 each

Components

Hook Rollers with Shafts (6)	170 each
Drum with Lagging — 19-7/8" Diameter, Grooved (2)	2,260 each
Gantry with Backhitch	5,745
Boom Hoist Wire Rope — 14 Part, 875' of 7/8" 6x26	1,287
Hoist Line Rope — 1-1/8" 6x31	2.34 lbs./ft.
Tagline Wire Rope — (2) 560' of 3/8" 6x19	145 each
40 Ton Swivel Hook Block	1,050
Telescopic Air Cushioned Boom Stop	1,170
Container Handling Blocks with Attachment Beam	630

REFERENCE MANUAL CHECKLIST

SEND ORDER FORM TO: ADVERTISING DEPARTMENT, MANITOWOC ENGINEERING CO.
P.O. Box 70, MANITOWOC, WISCONSIN 54220

SHIPPING INSTRUCTIONS:

FIRM: _____

ADDRESS: _____

CITY, STATE, ZIP: _____

ATTN: _____

4100W S-2

DATED: 08-14-85

Quan.	No.	Date	Description
_____	7809		ANNOUNCEMENT BROCHURE
_____	160299-1/2	03-25-83	OUTLINE DIMENSIONS
★ _____	962-1/2	07-10-84	WEIGHTS
★ _____	190693	07-13-83	BOOM NO. 22C — OPEN THROAT TOP <i>Meets ANSI B30.5 Code</i> RIGGING ASSEMBLY DRAWING
★ _____	6934-A	04-26-84	LIFT CAPACITIES JIB NO. 123 LIFT CAPACITIES 70' thru 100' Boom
_____	6935-G	07-09-79	0° Jib Offset Angle
_____	6935-H	07-09-79	10° Jib Offset Angle
_____	6935-I	07-09-79	20° Jib Offset Angle
_____	6935-A	11-10-78	110' thru 240' Boom 0° Jib Offset Angle
_____	6935-B	11-10-78	10° Jib Offset Angle
_____	6935-C	11-10-78	20° Jib Offset Angle
★ _____	6934-B	04-26-84	BOOM NO. 22C — 4½° OFFSET TOP <i>Meets ANSI B30.5 Code</i> LIFT CAPACITIES JIB NO. 123 LIFT CAPACITIES 70' thru 100' Boom
_____	6936-G	07-09-79	0° Jib Offset Angle
_____	6936-H	07-09-79	10° Jib Offset Angle
_____	6936-I	07-09-79	20° Jib Offset Angle
_____	6936-A	01-25-78	110' thru 240' Boom 0° Jib Offset Angle
_____	6936-B	01-25-78	10° Jib Offset Angle
_____	6936-C	01-25-78	20° Jib Offset Angle
★ _____	190993	09-05-80	BOOM NO. 22A — HAMMERHEAD TOP <i>Meets ANSI B30.5 Code</i> RIGGING ASSEMBLY DRAWING
★ _____	6961-A	04-26-84	LIFT CAPACITIES JIB NO. 123 LIFT CAPACITIES
_____	6969-A	02-27-80	5° Jib Offset Angle
_____	6969-B	02-27-80	10° Jib Offset Angle
_____	6969-C	02-27-80	20° Jib Offset Angle
★ _____	50935	03-07-83	BOOM NO. 22A — LIGHT TAPERED TOP <i>Meets ANSI B30.5 Code</i> RIGGING ASSEMBLY DRAWING
★ _____	7342-A	03-24-83	LIFT CAPACITIES JIB NO. 123 LIFT CAPACITIES
_____	7343-A	03-24-83	0° Jib Offset Angle
_____	7343-B	03-24-83	10° Jib Offset Angle
_____	7343-C	03-24-83	20° Jib Offset Angle

(Continued on reverse side.)

★New or revised item contained in this mailing

REFERENCE MANUAL CHECKLIST

SEND ORDER FORM TO: ADVERTISING DEPARTMENT, MANITOWOC ENGINEERING CO.
P.O. Box 70, MANITOWOC, WISCONSIN 54220

SHIPPING INSTRUCTIONS:

FIRM: _____

ADDRESS: _____

CITY, STATE, ZIP: _____

ATTN: _____

4100W S-2

DATED: 08-14-85

Quan.	No.	Date	Description
_____	Bulletin 1	02-17-84	CONTAINER-HANDLING ASSEMBLY
_____	161579	03-25-83	CONTAINER-HANDLING ASSEMBLY
_____	1139-1/2	06-15-83	OUTLINE DIMENSIONS
_____	161323	03-22-83	WEIGHTS
_____	191538	10-21-83	RIGGING ASSEMBLY DRAWING
_____		04-06-83	RANGE DIAGRAM
_____			LIFT CAPACITIES

★New or revised item contained in this mailing.

JIB LIFTING CAPACITIES

MEETS
ANSI B30.5
REQUIREMENTS

4100W

4100W SERIES-1

JIB NO. 123 WITH 12'6" STRUT ON
BOOM NO. 22A WITH LIGHT TAPERED TOP
26'6" CRAWLERS EXTENDED

0 DEGREE JIB OFFSET ANGLE

Chart supplements boom capacity chart No. 6266-A. Capacities are for freely suspended loads based on tipping, strength of structural components or other factors. Crane operator judgment must be used to allow for dynamic load effects of swinging, hoisting or lowering, travel, as well as adverse operating conditions and physical machine depreciation.

Capacities do not exceed **75%** of a static tipping load with machine on firm level surface. Capacities based on structural

competence are denoted by shaded areas. Operating radius is the horizontal distance from the axis of rotation to the center of vertical hoist line or load block. Weight of all load blocks, hooks, weight ball, slings, hoist lines beneath boom and jib point sheaves, etc., including those on the main boom is considered part of the jib load. Boom and jib are not to be lowered beyond radii where combined weights are greater than rated capacity. Maximum capacity on 1 1/8 in. — 6x31 IPS, IWRC is 28,300 lbs./line.

JIB POINT RADIUS: FEET	CAPACITIES IN POUNDS																	JIB POINT RADIUS: FEET
	BOOM LENGTH — FEET																	
	110	120	130	140	150	160	170	180	190	200	210	220	230	240	250	260	270	
80 *	40,000	40,000	40,000	40,000	40,000	40,000	40,000	40,000	40,000	40,000	40,000	40,000	40,000	40,000	40,000	40,000	40,000	80 *
85	40,000	40,000	40,000	40,000	40,000	40,000	40,000	40,000	40,000	40,000	39,800	39,300	38,800	38,200	37,900	37,400	36,900	85
90	40,000	40,000	40,000	39,900	39,400	38,800	38,500	38,000	37,500	36,900	36,600	36,000	35,600	35,000	34,700	34,200	33,700	90
100	36,300	35,600	35,100	34,500	34,100	33,500	33,200	32,600	32,100	31,600	31,200	30,700	30,200	29,600	29,300	28,800	28,300	100
110	32,000	31,400	30,800	30,200	29,800	29,200	28,900	28,300	27,800	27,300	26,900	26,400	25,900	25,300	25,000	24,500	24,000	110
120	28,500	27,900	27,300	26,700	26,200	25,700	25,400	24,800	24,300	23,700	23,400	22,800	22,300	21,800	21,500	20,900	20,400	120
130		24,900	24,400	23,800	23,300	22,700	22,400	21,800	21,400	20,800	20,400	19,900	19,400	18,800	18,500	18,000	17,500	130
140			21,900	21,300	20,800	20,200	19,900	19,300	18,900	18,300	17,900	17,400	16,900	16,300	16,000	15,500	15,000	140
150				19,100	18,700	18,100	17,800	17,200	16,700	16,100	15,800	15,200	14,700	14,200	13,900	13,300	12,800	150
160						16,200	15,900	15,300	14,900	14,300	13,900	13,400	12,900	12,300	12,000	11,400	10,900	160
170							14,300	13,700	13,200	12,600	12,300	11,700	11,200	10,700	10,400	9,800	9,300	170
180								12,300	11,800	11,200	10,900	10,300	9,800	9,200	8,900	8,300	7,900	180
190									10,500	9,900	9,600	9,000	8,500	7,900	7,600	7,100	6,600	190
200										8,800	8,400	7,800	7,400	6,800	6,500	5,900	5,400	200
210											7,400	6,800	6,400	5,800	5,500	4,900	4,400	210
220												5,400	4,800	4,500				220

JIB POINT RADIUS: FEET	CAPACITIES IN POUNDS																	JIB POINT RADIUS: FEET
	BOOM LENGTH — FEET																	
	110	120	130	140	150	160	170	180	190	200	210	220	230	240	250	260		
95 *	30,000	30,000	30,000	30,000	30,000	30,000	30,000	30,000	30,000	30,000	30,000	30,000	30,000	30,000	30,000	30,000	30,000	95 *
100	30,000	30,000	30,000	30,000	30,000	30,000	30,000	30,000	30,000	30,000	30,000	30,000	30,000	29,900	29,600	29,000		100
110	30,000	30,000	30,000	30,000	30,000	29,400	29,100	28,500	28,100	27,500	27,100	26,600	26,100	25,600	25,200	24,700		110
120	28,600	28,000	27,500	26,900	26,400	25,900	25,600	25,000	24,500	23,900	23,600	23,000	22,600	22,000	21,700	21,100		120
130	25,700	25,100	24,500	24,000	23,500	22,900	22,600	22,000	21,600	21,000	20,600	20,100	19,600	19,000	18,700	18,200		130
140		22,600	22,100	21,500	21,000	20,400	20,100	19,500	19,100	18,500	18,100	17,600	17,100	16,500	16,200	15,700		140
150			19,900	19,300	18,900	18,300	18,000	17,400	16,900	16,300	16,000	15,400	14,900	14,400	14,100	13,500		150
160					17,000	16,400	16,100	15,500	15,000	14,500	14,100	13,600	13,100	12,500	12,200	11,600		160
170						14,800	14,500	13,900	13,400	12,800	12,500	11,900	11,400	10,900	10,500	10,000		170
180							13,000	12,400	12,000	11,400	11,000	10,500	10,000	9,400	9,100	8,500		180
190								11,200	10,700	10,100	9,800	9,200	8,700	8,100	7,800	7,200		190
200									9,500	9,000	8,600	8,000	7,500	7,000	6,700	6,100		200
210											7,600	7,000	6,500	5,900	5,600	5,100		210
220												6,100	5,600	5,000	4,700	4,100		220

JIB POINT RADIUS: FEET	CAPACITIES IN POUNDS																	JIB POINT RADIUS: FEET
	BOOM LENGTH — FEET																	
	110	120	130	140	150	160	170	180	190	200	210	220	230	240	250	260		
120 *	20,000	20,000	20,000	20,000	20,000	20,000	20,000	20,000	20,000	20,000	20,000	20,000	20,000	20,000	20,000	20,000	20,000	120 *
130	20,000	20,000	20,000	20,000	20,000	20,000	20,000	20,000	20,000	20,000	20,000	20,000	20,000	19,800	19,300	18,900	18,400	130
140	20,000	20,000	20,000	20,000	20,000	20,000	20,000	20,000	20,000	20,000	20,000	20,000	20,000	19,800	19,300	18,900	18,400	140
150		20,000	20,000	19,500	19,000	18,400	18,100	17,600	17,100	16,500	16,200	15,600	15,100	14,600	14,300	13,700		150
160			18,200	17,600	17,200	16,600	16,300	15,700	15,200	14,700	14,300	13,700	13,300	12,700	12,400	11,800		160
170					15,500	14,900	14,600	14,100	13,600	13,000	12,700	12,100	11,600	11,100	10,700	10,200		170
180						13,500	13,200	12,600	12,100	11,600	11,200	10,700	10,200	9,600	9,300	8,700		180
190							11,900	11,300	10,900	10,300	9,900	9,400	8,900	8,300	8,000	7,400		190
200								10,200	9,700	9,100	8,800	8,200	7,700	7,200	6,800	6,300		200
210									8,700	8,100	7,700	7,200	6,700	6,100	5,800	5,200		210
220										7,200	6,800	6,200	5,700	5,200	4,900	4,300		220
230											5,400	4,900	4,300	4,000				230

JIB POINT RADIUS: FEET	CAPACITIES IN POUNDS																	JIB POINT RADIUS: FEET
	BOOM LENGTH — FEET																	
	110	120	130	140	150	160	170	180	190	200	210	220	230	240	250			
150 *	10,000	10,000	10,000	10,000	10,000	10,000	10,000	10,000	10,000	10,000	10,000	10,000	10,000	10,000	10,000	10,000	10,000	150 *
160		10,000	10,000	10,000	10,000	10,000	10,000	10,000	10,000	10,000	10,000	10,000	10,000	10,000	10,000	10,000	10,000	160
170			10,000	10,000	10,000	10,000	10,000	10,000	10,000	10,000	10,000	10,000	10,000	10,000	10,000	10,000	10,000	170
180					10,000	10,000	10,000	10,000	10,000	10,000	10,000	10,000	10,000	10,000	10,000	10,000	10,000	180
190						10,000	10,000	10,000	10,000	10,000	10,000	9,400	8,900	8,400	8,100			190
200							10,000	10,000	9,800	9,200	8,800	8,300	7,800	7,200	6,900			200
210								9,200	8,700	8,200	7,800	7,200	6,800	6,200	5,900			210
220									7,800	7,200	6,900	6,300	5,800	5,300	4,900			220
230										6,400	6,000	5,500	5,000	4,400	4,100			230
240											5,200	4,700	4,200					240

* These capacities apply for ALL lesser radii obtainable.

JIB LIFTING CAPACITIES

MEETS
ANSI B30.5
REQUIREMENTS

4100W
4100W SERIES-1

JIB NO. 123 WITH 12'6" STRUT ON
BOOM NO. 22A WITH LIGHT TAPERED TOP
26'6" CRAWLERS EXTENDED

10 DEGREE JIB OFFSET ANGLE

Chart supplements boom capacity chart No. 6266-A. Capacities are for freely suspended loads based on tipping, strength of structural components or other factors. Crane operator judgment must be used to allow for dynamic load effects of swinging, hoisting or lowering, travel, as well as adverse operating conditions and physical machine depreciation.

competence are denoted by shaded areas. Operating radius is the horizontal distance from the axis of rotation to the center of vertical hoist line or load block. Weight of all load blocks, hooks, weight ball, slings, hoist lines beneath boom and jib point sheaves, etc., including those on the main boom is considered part of the jib load. Boom and jib are not to be lowered beyond radii where combined weights are greater than rated capacity. Maximum capacity on 1 1/8 in. — 6x31 IPS, IWRC is 28,300 lbs./line.

Capacities do not exceed **75%** of a static tipping load with machine on firm level surface. Capacities based on structural

30 FOOT JIB	JIB POINT RADIUS: FEET	CAPACITIES IN POUNDS																	JIB POINT RADIUS: FEET
		BOOM LENGTH — FEET																	
		110	120	130	140	150	160	170	180	190	200	210	220	230	240	250	260	270	
80 *	40,000	40,000	40,000	40,000	40,000	40,000	40,000	40,000	40,000	40,000	40,000	40,000	40,000	40,000	40,000	40,000	40,000	40,000	80 *
85	40,000	40,000	40,000	40,000	40,000	40,000	40,000	40,000	40,000	40,000	40,000	40,000	40,000	40,000	40,000	40,000	40,000	40,000	85
90	40,000	40,000	40,000	40,000	40,000	39,400	39,100	38,600	38,100	37,600	37,300	36,800	36,300	35,800	35,500	35,100	34,600	34,600	90
95	39,100	38,500	38,000	37,400	37,000	36,500	36,200	35,700	35,300	34,700	34,400	33,900	33,400	32,900	32,600	32,100	31,700	31,700	95
100	36,500	35,900	35,400	34,900	34,500	33,900	33,700	33,100	32,700	32,200	31,800	31,300	30,900	30,400	30,100	29,600	29,100	29,100	100
110	32,200	31,600	31,100	30,600	30,100	29,600	29,300	28,800	28,300	27,800	27,400	26,900	26,500	26,000	25,700	25,100	24,700	24,700	110
120		28,100	27,500	27,000	26,600	26,000	25,700	25,200	24,700	24,200	23,900	23,300	22,900	22,300	22,000	21,500	21,100	21,100	120
130				24,000	23,600	23,000	22,700	22,200	21,700	21,200	20,900	20,300	19,900	19,300	19,000	18,500	18,000	18,000	130
140					21,000	20,500	20,200	19,600	19,200	18,600	18,300	17,800	17,300	16,800	16,500	15,900	15,500	15,500	140
150						18,300	18,000	17,500	17,000	16,500	16,100	15,600	15,100	14,600	14,300	13,700	13,300	13,300	150
160								15,600	15,100	14,600	14,200	13,700	13,200	12,700	12,400	11,800	11,400	11,400	160
170									13,400	12,900	12,600	12,000	11,500	11,000	10,700	10,200	9,700	9,700	170
180										11,400	11,100	10,500	10,100	9,500	9,200	8,700	8,200	8,200	180
190												9,200	8,800	8,200	7,900	7,400	6,900	6,900	190
200													7,600	7,000	6,700	6,200	5,700	5,700	200
210														6,000	5,700	5,100	4,600	4,600	210

40 FOOT JIB	JIB POINT RADIUS: FEET	CAPACITIES IN POUNDS																	JIB POINT RADIUS: FEET
		BOOM LENGTH — FEET																	
		110	120	130	140	150	160	170	180	190	200	210	220	230	240	250	260	270	
95 *	30,000	30,000	30,000	30,000	30,000	30,000	30,000	30,000	30,000	30,000	30,000	30,000	30,000	30,000	30,000	30,000	30,000	30,000	95 *
100	30,000	30,000	30,000	30,000	30,000	30,000	30,000	30,000	30,000	30,000	30,000	30,000	30,000	30,000	30,000	30,000	30,000	30,000	100
110	27,900	29,200	30,000	30,000	30,000	29,900	29,600	29,100	28,700	28,100	27,800	27,300	26,900	26,400	26,100	25,600	25,600	25,600	110
120	26,100	27,300	27,800	27,300	26,800	26,300	26,000	25,500	25,100	24,500	24,200	23,700	23,200	22,700	22,400	21,900	21,900	21,900	120
130			24,800	24,300	23,800	23,300	23,000	22,500	22,000	21,500	21,200	20,700	20,200	19,700	19,400	18,900	18,900	18,900	130
140				21,700	21,300	20,700	20,500	19,900	19,500	18,900	18,600	18,100	17,600	17,100	16,800	16,300	16,300	16,300	140
150					19,100	18,500	18,300	17,700	17,300	16,700	16,400	15,900	15,400	14,900	14,600	14,100	14,100	14,100	150
160						16,400	15,800	15,400	14,800	14,500	14,000	13,500	13,000	12,700	12,100	12,100	12,100	12,100	160
170								14,100	13,700	13,200	12,800	12,300	11,800	11,300	11,000	10,500	10,500	10,500	170
180									12,200	11,700	11,300	10,800	10,300	9,800	9,500	9,000	9,000	9,000	180
190										10,000	9,500	9,000	8,500	8,000	7,600	7,600	7,600	7,600	190
200											8,300	7,800	7,300	6,800	6,400	6,400	6,400	6,400	200
210												6,800	6,200	5,900	5,400	5,400	5,400	5,400	210
220													4,900	4,400	4,400	4,400	4,400	4,400	220

50 FOOT JIB	JIB POINT RADIUS: FEET	CAPACITIES IN POUNDS																	JIB POINT RADIUS: FEET
		BOOM LENGTH — FEET																	
		110	120	130	140	150	160	170	180	190	200	210	220	230	240	250	260	270	
125 *	20,000	20,000	20,000	20,000	20,000	20,000	20,000	20,000	20,000	20,000	20,000	20,000	20,000	20,000	20,000	20,000	20,000	20,000	125 *
130	20,000	20,000	20,000	20,000	20,000	20,000	20,000	20,000	20,000	20,000	20,000	20,000	20,000	20,000	20,000	19,800	19,300	19,300	130
140		20,000	20,000	20,000	20,000	20,000	20,000	20,000	20,000	19,800	19,300	18,900	18,400	18,000	17,500	17,200	16,700	16,700	140
150				19,800	19,800	18,800	18,500	18,000	17,600	17,000	16,700	16,200	15,800	15,200	14,900	14,400	14,400	14,400	150
160					17,400	16,900	16,600	16,100	15,700	15,100	14,800	14,300	13,800	13,300	13,000	12,500	12,500	12,500	160
170						15,200	14,900	14,400	14,000	13,400	13,100	12,600	12,100	11,600	11,300	10,800	10,800	10,800	170
180							12,900	12,500	11,900	11,600	11,100	10,600	10,100	9,800	9,300	8,800	8,800	8,800	180
190								11,200	10,600	10,300	9,800	9,300	8,800	8,300	7,900	7,900	7,900	7,900	190
200									9,400	9,100	8,600	8,100	7,600	7,300	6,700	6,700	6,700	6,700	200
210											7,500	7,000	6,500	6,200	5,700	5,700	5,700	5,700	210
220												6,000	5,500	5,200	4,700	4,700	4,700	4,700	220
230													4,600	4,300	4,300	4,300	4,300	4,300	230

60 FOOT JIB	JIB POINT RADIUS: FEET	CAPACITIES IN POUNDS																	JIB POINT RADIUS: FEET
		BOOM LENGTH — FEET																	
		110	120	130	140	150	160	170	180	190	200	210	220	230	240	250	260	270	
140 *	10,000	10,000	10,000	10,000	10,000	10,000	10,000	10,000	10,000	10,000	10,000	10,000	10,000	10,000	10,000	10,000	10,000	10,000	140 *
150		10,000	10,000	10,000	10,000	10,000	10,000	10,000	10,000	10,000	10,000	10,000	10,000	10,000	10,000	10,000	10,000	10,000	150
160				10,000	10,000	10,000	10,000	10,000	10,000	10,000	10,000	10,000	10,000	10,000	10,000	10,000	10,000	10,000	160
170					10,000	10,000	10,000	10,000	10,000	10,000	10,000	10,000	10,000	10,000	10,000	10,000	10,000	10,000	170
180						10,000	10,000	10,000	10,000	10,000	10,000	10,000	10,000	10,000	10,000	10,000	10,000	10,000	180
190							10,000	10,000	10,000	10,000	10,000	10,000	9,900	9,400	8,900	8,600	8,600	8,600	190
200								10,000	10,000	10,000	10,000	10,000	9,200	8,700	8,200	7,700	7,400	7,400	200
210									10,000	10,000	10,000	10,000	8,500	8,200	7,600	7,200	6,600	6,300	210
220													6,600	6,200	5,700	5,400	5,400	5,400	220
230														5,300	4,800	4,500	4,500	4,500	230

* These capacities apply for ALL lesser radii obtainable.

JIB LIFTING CAPACITIES

MEETS
ANSI B30.5
REQUIREMENTS

4100W

4100W SERIES-1

JIB NO. 123 WITH 12'6" STRUT ON
BOOM NO. 22A WITH LIGHT TAPERED TOP
26'6" CRAWLERS EXTENDED

20 DEGREE JIB OFFSET ANGLE

Chart supplements boom capacity chart No. 6266-A. Capacities are for freely suspended loads based on tipping, strength of structural components or other factors. Crane operator judgment must be used to allow for dynamic load effects of swinging, hoisting or lowering, travel, as well as adverse operating conditions and physical machine depreciation.

competence are denoted by shaded areas. Operating radius is the horizontal distance from the axis of rotation to the center of vertical hoist line or load block. Weight of all load blocks, hooks, weight ball, slings, hoist lines beneath boom and jib point sheaves, etc., including those on the main boom is considered part of the jib load. Boom and jib are not to be lowered beyond radii where combined weights are greater than rated capacity. Maximum capacity on 1/8 in. — 6x31 IPS, IWRC is 28,300 lbs./line.

Capacities do not exceed **75%** of a static tipping load with machine on firm level surface. Capacities based on structural

JIB POINT RADIUS: FEET	CAPACITIES IN POUNDS																	JIB POINT RADIUS: FEET	
	BOOM LENGTH — FEET																		
	110	120	130	140	150	160	170	180	190	200	210	220	230	240	250	260	270		
70 *	40,000	40,000	40,000	40,000	40,000	40,000	40,000	40,000	40,000	40,000	40,000	40,000	40,000	40,000	40,000	40,000	40,000	40,000	70 *
75	39,000	40,000	40,000	40,000	40,000	40,000	40,000	40,000	40,000	40,000	40,000	40,000	40,000	40,000	40,000	40,000	40,000	40,000	75
80	37,600	38,800	40,000	40,000	40,000	40,000	40,000	40,000	40,000	40,000	40,000	40,000	40,000	40,000	40,000	40,000	40,000	40,000	80
85	36,300	37,500	38,700	39,800	40,000	40,000	40,000	40,000	40,000	40,000	40,000	40,000	40,000	40,000	40,000	40,000	40,000	40,000	85
90	35,100	36,300	37,400	38,500	39,600	39,800	39,600	39,100	38,700	38,200	37,900	37,500	37,100	36,600	36,300	35,900	35,500	35,100	90
95	34,000	35,200	36,300	37,400	37,400	36,900	36,700	36,200	35,800	35,300	35,000	34,500	34,100	33,600	33,400	32,900	32,500	32,100	95
100		34,200	35,300	35,200	34,800	34,300	34,100	33,600	33,200	32,700	32,400	31,900	31,500	31,000	30,700	30,300	29,800	29,400	100
110			31,400	30,800	30,400	29,900	29,700	29,200	28,700	28,200	27,900	27,400	27,000	26,500	26,300	25,800	25,300	24,900	110
120					26,800	26,300	26,000	25,500	25,100	24,600	24,300	23,800	23,400	22,800	22,600	22,100	21,600	21,200	120
130						23,200	23,000	22,500	22,100	21,500	21,200	20,700	20,300	19,800	19,500	19,000	18,600	18,200	130
140								19,900	19,500	18,900	18,600	18,100	17,700	17,200	16,900	16,400	15,900	15,500	140
150										16,700	16,400	15,900	15,400	14,900	14,600	14,100	13,700	13,300	150
160											14,500	13,900	13,500	13,000	12,700	12,200	11,700	11,300	160
170													11,800	11,300	11,000	10,500	10,000	9,600	170
180														9,800	9,500	9,000	8,500	8,100	180
190															7,600	7,200	6,800	6,400	190

JIB POINT RADIUS: FEET	CAPACITIES IN POUNDS																	JIB POINT RADIUS: FEET	
	BOOM LENGTH — FEET																		
	110	120	130	140	150	160	170	180	190	200	210	220	230	240	250	260	270		
75 *	30,000	30,000	30,000	30,000	30,000	30,000	30,000	30,000	30,000	30,000	30,000	30,000	30,000	30,000	30,000	30,000	30,000	30,000	75 *
80	29,200	30,000	30,000	30,000	30,000	30,000	30,000	30,000	30,000	30,000	30,000	30,000	30,000	30,000	30,000	30,000	30,000	30,000	80
85	28,100	29,000	29,800	30,000	30,000	30,000	30,000	30,000	30,000	30,000	30,000	30,000	30,000	30,000	30,000	30,000	30,000	30,000	85
90	27,200	28,000	28,900	29,600	30,000	30,000	30,000	30,000	30,000	30,000	30,000	30,000	30,000	30,000	30,000	30,000	30,000	30,000	90
100	26,500	27,300	27,100	27,900	28,600	29,300	30,000	30,000	30,000	30,000	30,000	30,000	30,000	30,000	30,000	30,000	30,000	30,000	100
110		24,900	25,700	26,400	27,100	27,800	28,500	29,100	29,200	28,800	28,500	28,000	27,600	27,100	26,900	26,400	26,000	25,600	110
120				25,100	25,800	26,500	26,500	26,000	25,600	25,100	24,800	24,300	23,900	23,400	23,100	22,700	22,300	21,900	120
130					24,100	23,600	23,400	22,900	22,500	22,000	21,700	21,200	20,800	20,300	20,000	19,500	19,100	18,700	130
140							20,800	20,300	19,900	19,400	19,100	18,600	18,100	17,700	17,400	16,900	16,500	16,100	140
150								18,000	17,600	17,100	16,800	16,300	15,900	15,400	15,100	14,600	14,200	13,800	150
160										15,200	14,800	14,300	13,900	13,400	13,100	12,600	12,200	11,800	160
170												12,600	12,200	11,700	11,400	10,900	10,500	10,100	170
180													10,700	10,100	9,900	9,400	9,000	8,600	180
190														8,500	8,000	7,600	7,200	6,800	190

JIB POINT RADIUS: FEET	CAPACITIES IN POUNDS																	JIB POINT RADIUS: FEET	
	BOOM LENGTH — FEET																		
	110	120	130	140	150	160	170	180	190	200	210	220	230	240	250	260	270		
110 *	20,000	20,000	20,000	20,000	20,000	20,000	20,000	20,000	20,000	20,000	20,000	20,000	20,000	20,000	20,000	20,000	20,000	20,000	110 *
115	19,400	20,000	20,000	20,000	20,000	20,000	20,000	20,000	20,000	20,000	20,000	20,000	20,000	20,000	20,000	20,000	20,000	20,000	115
120		19,500	20,000	20,000	20,000	20,000	20,000	20,000	20,000	20,000	20,000	20,000	20,000	20,000	20,000	20,000	20,000	20,000	120
125			19,600	20,000	20,000	20,000	20,000	20,000	20,000	20,000	20,000	20,000	20,000	20,000	20,000	20,000	20,000	20,000	125
130				19,100	19,700	20,000	20,000	20,000	20,000	20,000	20,000	20,000	20,000	20,000	20,000	20,000	20,000	20,000	130
140						19,300	18,800	20,000	20,000	20,000	19,800	19,500	19,000	18,600	18,200	17,900	17,400	17,000	140
150								18,900	18,400	18,000	17,500	17,200	16,700	16,300	15,900	15,600	15,100	14,700	150
160										16,400	16,000	15,500	15,200	14,800	14,300	13,900	13,600	13,100	160
170											13,800	13,500	13,000	12,600	12,100	11,800	11,300	10,900	170
180												12,000	11,500	11,100	10,600	10,300	9,800	9,400	180
190														9,700	9,200	8,900	8,400	8,000	190
200															7,600	7,200	6,800	6,400	200

JIB POINT RADIUS: FEET	CAPACITIES IN POUNDS																	JIB POINT RADIUS: FEET	
	BOOM LENGTH — FEET																		
	110	120	130	140	150	160	170	180	190	200	210	220	230	240	250	260	270		
125 *	10,000	10,000	10,000	10,000	10,000	10,000	10,000	10,000	10,000	10,000	10,000	10,000	10,000	10,000	10,000	10,000	10,000	10,000	125 *
130		10,000	10,000	10,000	10,000	10,000	10,000	10,000	10,000	10,000	10,000	10,000	10,000	10,000	10,000	10,000	10,000	10,000	130
140			10,000	10,000	10,000	10,000	10,000	10,000	10,000	10,000	10,000	10,000	10,000	10,000	10,000	10,000	10,000	10,000	140
150					10,000	10,000	10,000	10,000	10,000	10,000	10,000	10,000	10,000	10,000	10,000	10,000	10,000	10,000	150
160						10,000	10,000	10,000	10,000	10,000	10,000	10,000	10,000	10,000	10,000	10,000	10,000	10,000	160
170								10,000	10,000	10,000	10,000	10,000	10,000	10,000	10,000	10,000	10,000	10,000	170
180									10,000	10,000	10,000	10,000	10,000	10,000	10,000	10,000	10,000	10,000	180
190										10,000	10,000	10,000	10,000	10,000	10,000	10,000	10,000	10,000	190
200														8,700	8,200	7,900	7,400	7,000	200
210															7,000	6,800	6,400	6,000	210

* These capacities apply for ALL lesser radii obtainable.

LIFTCRANE CAPACITIES

MEETS
ANSI B30.5
REQUIREMENTS

4100W SERIES 2 CRAWLER

BOOM NO. 22C WITH OPEN THROAT TOP
146,400 LB. CRANE COUNTERWEIGHT
60,000 LB. CARBODY COUNTERWEIGHT
26'6" CRAWLERS EXTENDED

WARNING: This chart will apply only when two 12,000 lb. side ctwts. and two 30,000 lb. carbody ctwts. bear MEC registered Serial Numbers.

LIFTING CAPACITIES: Capacities for various boom lengths and operating radii are for freely suspended loads and do not exceed 75% of a static tipping load. Capacities based on structural competence are shown by shaded areas.

Upper boom point capacity for liftcrane service with single part whip line or combination of two single part lines is 28,300 lbs. In all cases, upper boom point capacities cannot exceed those listed for the main boom capacity.

Capacities are shown in pounds. Weight of upper boom point, jib, (see chart A), all load blocks, hooks, weight ball, slings, hoist lines, etc. beneath boom and jib point sheaves, is considered part of the main boom load. Boom is not to be lowered beyond radii where combined weights are greater than rated capacity. Where no capacity is shown, operation is not intended or approved.

OPERATING CONDITIONS: Machine to operate in a level position on a firm surface with crawlers fully extended and gantry in working position and be rigged in accordance with and under conditions referred to in rigging drawing No. 190693 and load line specification chart No. 6592-A.

Crane operator judgment must be used to allow for dynamic load effects of swinging, hoisting or lowering, travel, wind conditions, as well as adverse operating conditions and physical machine depreciation.

OPERATING RADIUS: Operating radius is the horizontal distance from the axis of rotation to the center of vertical hoist line or load block with the load freely suspended. Add 14" to boom point radius for radius of sheave when using single part hoist line.

Boom angle is the angle between horizontal and centerline of boom butt and inserts and is an indication of operating radius. In all cases, operating radius shall govern capacity.

BOOM POINT ELEVATION: Boom point elevation, in feet, is the vertical distance from ground level to centerline of boom point shaft.

MACHINE EQUIPMENT: Machine equipped with 26'6" extendible crawlers, 48" treads, 17' retractable gantry, 12 part boom hoist reeving, four 1 3/8" boom pendants, 1st ctwt. 41,900 lbs., 2nd ctwt. 41,500 lbs., 3rd ctwt. 39,000 lbs., two 12,000 lbs. side ctwt's. and two 30,000 lbs. carbody ctwt's.

HOIST REEVEING FOR MAIN LOAD BLOCK						
No. Parts of Line	1	2	3	4	5	6
Max. Load — Lbs.	32,500	65,000	97,500	130,000	162,500	195,000
No. Parts of Line	7	8	9	10	11	12
Max. Load — Lbs.	227,500	260,000	292,500	325,000	357,500	400,000
No. Parts of Line	13	14				
Max. Load — Lbs.	430,000	460,000				

LOAD AND WHIP LINE SPECIFICATIONS	
LOAD LINE: 1-1/8" — 6x31 Warrington-Seale, Extra Improved Plow Steel, Regular Lay, IWRC. Minimum Breaking Strength 65 Ton. (Approx. Weight Per Ft. in Lbs. 2.34)	
WHIP LINE: 1-1/8" — 6x31 Warrington-Seale, Improved Plow Steel, Regular Lay, IWRC. Minimum Breaking Strength 56.5 Ton. Maximum Load — 28,300 Lbs. Per Line. (Approx. Weight Per Ft. in Lbs. 2.34)	

MAXIMUM BOOM AND JIB LENGTHS LIFTED UNASSISTED				(A) DEDUCT FROM CAPACITIES WHEN JIB IS ATTACHED	
OVER FRONT OF CRAWLERS		OVER SIDE OF EXTENDED CRAWLERS		Jib Lgth.	Jib No. 123
Boom Lgth.	Jib No. 123	Boom Lgth.	Jib No. 123		
260'	—	260'	—	30'	3,000 Lb.
250'	—	250'	—	40'	3,600 Lb.
240'	40'	240'	40'	50'	4,200 Lb.
230'	60'	230'	60'	60'	4,900 Lb.
Load block, hook and weight ball on ground at start. To comply with B30.5 requirements, upper boom point cannot be used on 260' boom.				Jib deducts include jib adaptor.	

DEDUCT FROM CAPACITIES WHEN UPPER BOOM POINT IS ATTACHED

One Sheave Point 1,200 lbs.
Two Sheave Point 1,500 lbs.

For jib capacities, consult jib chart.

Boom Lgth.: Feet	Oper. Rad.: Feet	Boom Ang.: Deg.	Boom Point: Elev.	Capacity: Crawlers Extended	Boom Lgth.: Feet	Oper. Rad.: Feet	Boom Ang.: Deg.	Boom Point: Elev.	Capacity: Crawlers Extended	Boom Lgth.: Feet	Oper. Rad.: Feet	Boom Ang.: Deg.	Boom Point: Elev.	Capacity: Crawlers Extended	Boom Lgth.: Feet	Oper. Rad.: Feet	Boom Ang.: Deg.	Boom Point: Elev.	Capacity: Crawlers Extended
16.5	79.7	75.9	460,000	17	80.6	85.9	392,800	18	81.1	95.9	355,400	19	81.4	105.9	332,900	20	81.4	105.9	327,100
17	79.3	75.8	400,000	18	79.9	85.8	378,900	19	80.4	95.7	346,900	20	80.8	105.7	327,100	21	79.6	105.4	316,200
18	78.5	75.6	380,100	19	79.2	85.6	361,800	20	79.8	95.6	336,900	22	79.6	105.4	316,200	23	78.5	105.0	290,800
19	77.6	75.4	363,000	20	78.5	85.4	346,100	22	78.5	95.2	317,400	24	78.5	105.0	290,800	25	77.3	104.5	263,900
20	76.8	75.1	347,300	22	77.0	84.9	318,400	24	77.2	94.7	291,700	26	77.3	104.5	263,900	27	75.9	104.1	236,200
22	75.1	74.6	319,600	24	75.5	84.5	292,500	26	75.9	94.3	264,800	28	76.1	104.1	236,200	29	74.5	103.6	212,900
24	73.4	74.1	293,400	26	74.0	83.9	265,600	28	74.5	93.7	236,600	30	74.9	103.6	212,900	31	73.2	103.0	193,700
26	71.7	73.5	266,100	28	72.5	83.3	237,000	30	73.2	93.2	213,400	32	73.7	103.0	193,700	33	71.9	102.4	177,500
28	69.9	72.8	237,500	30	71.0	82.7	213,800	32	71.9	92.5	194,200	34	72.5	102.4	177,500	35	70.5	101.7	163,700
30	68.2	72.0	214,300	32	69.5	81.9	194,600	34	70.5	91.9	178,000	36	71.3	101.7	163,700	37	69.2	101.0	151,800
32	66.4	71.2	195,100	34	68.0	81.2	178,500	36	69.2	91.1	164,200	38	70.1	101.0	151,800	39	67.8	100.3	141,400
34	64.6	70.2	178,900	36	66.4	80.3	164,700	38	67.8	90.3	152,300	40	68.9	100.3	141,400	41	66.4	98.2	120,500
36	62.8	69.3	165,200	38	64.8	79.4	152,800	40	66.4	89.5	142,000	45	65.8	98.2	120,500	46	62.9	95.8	104,700
38	60.9	68.2	153,300	40	63.3	78.4	142,400	45	62.9	87.1	121,100	50	62.6	95.8	104,700	51	59.3	93.0	92,300
40	59.1	67.0	143,000	45	59.2	75.7	121,500	50	59.3	84.4	105,200	55	59.3	93.0	92,300	56	55.5	89.8	82,300
45	54.1	63.7	122,100	50	54.9	72.5	105,700	55	55.5	81.2	92,800	60	55.9	89.8	82,300	61	51.5	86.2	74,100
50	48.9	59.8	106,300	55	50.4	68.6	93,300	60	51.5	77.5	82,900	65	52.4	86.2	74,100	66	47.3	82.1	67,200
55	43.2	54.9	93,900	60	45.6	64.1	83,400	65	47.3	73.2	74,700	70	48.7	82.1	67,200	71	42.8	77.4	61,400
60	36.9	49.0	84,000	65	40.3	58.8	75,200	70	42.8	68.2	67,800	75	44.8	77.4	61,400	76	37.9	72.0	56,400
65	29.4	41.3	75,800	70	34.4	52.2	68,300	75	37.9	62.3	62,000	80	40.5	72.0	56,400	81	32.4	65.6	52,000
70	19.5	30.3	63,900	75	27.4	43.9	62,500	80	32.4	55.2	57,000	85	35.9	65.6	52,000	86	25.8	58.0	48,200
				80	18.2	32.0	53,900	85	25.8	46.2	52,600	90	30.7	58.0	48,200	91	17.1	48.5	44,900
								90	17.1	33.5	45,900	95	24.5	48.5	44,900	96		35.0	39,300
												100	16.3	35.0	39,300				

WARNING! CHECK AMOUNT OF COUNTERWEIGHT ON MACHINE BEFORE USE OF THIS CHART.

Capacities continued on reverse side.

Boom Lgth.: Feet	Oper. Rad.: Feet	Boom Ang.: Deg.	Boom Point: Elev.	Capacity: Crawlers Extended	Boom Lgth.: Feet	Oper. Rad.: Feet	Boom Ang.: Deg.	Boom Point: Elev.	Capacity: Crawlers Extended	Boom Lgth.: Feet	Oper. Rad.: Feet	Boom Ang.: Deg.	Boom Point: Elev.	Capacity: Crawlers Extended	Boom Lgth.: Feet	Oper. Rad.: Feet	Boom Ang.: Deg.	Boom Point: Elev.	Capacity: Crawlers Extended
22	80.6	115.5	291,600	105	43.8	103.9	37,200	32	81.1	184.8	180,000	2	175	31.2	110.7	13,300			
24	79.5	115.2	282,900	110	40.8	98.5	34,700	34	80.4	184.5	174,100	2	180	28.4	102.0	12,400			
26	78.5	114.8	263,200	115	37.5	92.3	32,500	36	79.8	184.1	160,300	2	185	25.2	92.1	11,700			
28	77.4	114.3	235,800	120	34.0	85.4	30,500	38	79.1	183.8	148,300	2	190	21.6	80.5	10,900			
30	76.3	113.9	212,500	125	30.2	77.4	28,700	40	78.5	183.4	137,900	2	195	17.3	66.3	8,500			
32	75.3	113.4	193,300	130	25.8	68.0	27,000	45	76.8	182.3	116,900	36	81.2	214.5	146,000				
34	74.2	112.8	177,100	135	20.7	56.4	25,500	50	75.2	181.0	101,000	38	80.7	214.2	143,900				
36	73.1	112.2	163,300	28	80.8	155.1	218,600	55	73.5	179.6	88,500	40	80.1	213.9	136,600				
38	72.0	111.6	151,400	30	80.0	154.7	210,300	60	71.9	178.1	78,500	45	78.7	213.0	115,500				
40	70.9	110.9	141,000	32	79.2	154.4	191,600	65	70.2	176.3	70,300	50	77.3	211.9	99,600				
45	68.1	109.1	120,100	34	78.5	154.0	175,400	70	68.5	174.5	63,400	55	75.9	210.7	87,100				
50	65.3	106.9	104,200	36	77.7	153.5	161,600	75	66.8	172.4	57,500	60	74.5	209.4	77,100				
55	62.4	104.5	91,800	38	76.9	153.1	149,600	80	65.0	170.2	52,500	65	73.1	207.9	68,800				
60	59.4	101.7	81,800	40	76.1	152.6	139,200	85	63.3	167.7	48,100	70	71.7	206.4	61,900				
65	56.3	98.5	73,600	45	74.1	151.3	118,200	90	61.5	165.1	44,300	75	70.2	204.6	56,100				
70	53.1	95.0	66,800	50	72.1	149.8	102,400	95	59.6	162.3	40,900	80	68.8	202.8	51,000				
75	49.8	91.0	60,900	55	70.1	148.1	89,900	100	57.8	159.3	37,900	85	67.3	200.7	46,700				
80	46.3	86.5	55,900	60	68.1	146.2	79,900	105	55.9	156.0	35,200	90	65.8	198.6	42,800				
85	42.6	81.4	51,600	65	66.0	144.0	71,700	110	53.9	152.5	32,700	95	64.3	196.3	39,400				
90	38.6	75.6	47,800	70	63.9	141.7	64,800	115	51.9	148.7	30,500	100	62.8	193.8	36,400				
95	34.2	68.8	44,400	75	61.7	139.1	59,000	120	49.9	144.6	28,500	105	61.3	191.1	33,700				
100	29.2	60.7	41,400	80	59.6	136.3	53,900	125	47.8	140.3	26,700	110	59.7	188.3	31,300				
105	23.3	50.6	38,700	85	57.3	133.2	49,600	130	45.6	135.5	25,000	115	58.1	185.3	29,100				
110	15.5	36.4	33,900	90	55.0	129.9	45,700	135	43.3	130.4	23,500	120	56.5	182.1	27,100				
22	81.4	125.6	285,000	95	52.7	126.2	42,400	140	40.9	124.9	22,000	125	54.8	178.6	25,200				
24	80.4	125.3	271,700	100	50.2	122.3	39,400	145	38.4	118.9	20,700	130	53.1	175.0	23,500				
26	79.4	125.0	259,800	105	47.7	117.9	36,700	150	35.8	112.3	19,500	135	51.4	171.1	22,000				
28	78.5	124.6	235,300	110	45.0	113.1	34,200	155	33.0	105.0	18,300	140	49.6	167.0	20,600				
30	77.5	124.1	212,100	115	42.3	107.9	32,000	160	29.9	96.8	17,200	145	47.8	162.6	19,200				
32	76.5	123.7	192,800	120	39.3	102.1	30,000	165	26.6	87.5	16,200	150	46.0	157.9	18,000				
34	75.5	123.2	176,600	125	36.2	95.7	28,200	170	22.7	76.6	15,300	155	44.0	152.9	16,800				
36	74.5	122.7	162,800	130	32.9	88.4	26,500	175	18.2	63.2	13,500	160	42.0	147.6	15,800				
38	73.5	122.1	150,900	135	29.2	80.1	25,000	32	81.5	194.9	171,000	165	39.9	141.8	14,800				
40	72.5	121.5	140,500	140	25.0	70.3	23,500	34	80.9	194.6	166,100	170	37.8	135.6	13,800				
45	70.0	119.8	119,500	145	19.9	58.2	22,200	36	80.3	194.3	159,800	175	35.5	128.9	12,900				
50	67.5	117.8	103,700	28	81.4	165.2	208,500	38	79.7	193.9	147,900	180	33.1	121.6	12,100				
55	64.8	115.6	91,300	30	80.6	164.9	203,500	40	79.1	193.6	137,400	185	30.5	113.5	11,300				
60	62.2	113.1	81,300	32	79.9	164.5	191,100	45	77.5	192.5	116,400	190	27.7	104.5	10,600				
65	59.4	110.3	73,100	34	79.2	164.2	174,900	50	76.0	191.3	100,500	195	24.6	94.3	9,900				
70	56.6	107.2	66,200	36	78.5	163.8	161,000	55	74.4	190.0	88,000	200	21.0	82.4	8,800				
75	53.7	103.7	60,400	38	77.7	163.3	149,100	60	72.9	188.6	78,000	205	16.8	67.8	6,500				
80	50.7	99.9	55,300	40	77.0	162.9	138,700	65	71.3	186.9	69,700	38	81.1	224.4	135,900				
85	47.5	95.5	51,000	45	75.2	161.7	117,700	70	69.7	185.2	62,800	40	80.6	224.0	133,400				
90	44.2	90.7	47,200	50	73.3	160.2	101,800	75	68.1	183.2	57,000	45	79.3	223.1	115,000				
95	40.7	85.2	43,800	55	71.4	158.7	89,300	80	66.4	181.1	52,000	50	77.9	222.1	99,100				
100	36.9	79.0	40,800	60	69.5	156.9	79,300	85	64.8	178.9	47,600	55	76.6	221.0	86,600				
105	32.7	71.8	38,100	65	67.6	154.9	71,100	90	63.1	176.4	43,800	60	75.3	219.8	76,600				
110	28.0	63.2	35,700	70	65.6	152.8	64,200	95	61.4	173.8	40,400	65	73.9	218.4	68,300				
115	22.3	52.6	33,500	75	63.7	150.4	58,400	100	59.7	171.0	37,400	70	72.5	216.9	61,400				
24	81.2	135.5	260,000	80	61.6	147.8	53,300	105	57.9	167.9	34,700	75	71.2	215.2	55,500				
26	80.3	135.1	248,600	85	59.6	145.0	49,000	110	56.1	164.7	32,200	80	69.8	213.5	50,500				
28	79.4	134.8	234,700	90	57.5	141.9	45,100	115	54.3	161.2	30,000	85	68.4	211.5	46,100				
30	78.5	134.4	211,800	95	55.3	138.6	41,800	120	52.4	157.5	28,000	90	67.0	209.5	42,300				
32	77.6	133.9	192,500	100	53.1	135.0	38,700	125	50.4	153.5	26,200	95	65.6	207.3	38,900				
34	76.7	133.5	176,300	105	50.9	131.1	36,000	130	48.5	149.2	24,500	100	64.1	204.9	35,800				
36	75.7	133.0	162,500	110	48.5	126.8	33,600	135	46.4	144.6	22,900	105	62.7	202.4	33,100				
38	74.8	132.5	150,600	115	46.1	122.2	31,400	140	44.3	139.7	21,500	110	61.2	199.8	30,700				
40	73.9	131.9	140,200	120	43.5	117.2	29,400	145	42.1	134.4	20,200	115	59.7	196.9	28,500				
45	71.6	130.4	119,300	125	40.9	111.7	27,600	150	39.8	128.6	18,900	120	58.2	193.9	26,500				
50	69.3	128.6	103,400	130	38.0	105.6	25,900	155	37.4	122.3	17,800	125	56.6	190.7	24,600				
55	66.9	126.6	91,000	135	35.0	98.9	24,300	160	34.8	115.5	16,700	130	55.1	187.3	23,000				
60	64.5	124.3	81,000	140	31.8	91.3	22,900	165	32.1	107.9	15,700	135	53.5	183.7	21,400				
65	62.0	121.8	72,800	145	28.2	82.6	21,600	170	29.1	99.4	14,800	140	51.8	179.9	20,000				
70	59.5	119.0	65,900	150	24.1	72.5	20,400	175	25.8	89.8	13,900	145	50.1	175.9	18,600				
75	56.9	115.9	60,000	155	19.3	59.9	19,200	180	22.1	78.6	13,100	150	48.4	171.6	17,400				
80	54.2	112.5	55,000	30	81.2	175.0	192,600	185	17.7	64.8	11,000	155	46.7	167.0	16,300				
85	51.5	108.7	50,700	32	80.5	174.7	188,400	34	81.4	204.7	157,200	160	44.8	162.1	15,200				
90	48.6	104.5	46,800	34	79.8	174.3	174,600	36	80.8	204.4	153,500	165	43.0	156.9	14,200				
95	45.6	99.8	43,500	36	79.2	174.0	160,800	38	80.2	204.1	147,400	170	41.0	151.4	13,200				
100	42.4	94.7	40,500	38	78.5	173.6	148,800	40	79.6	203.7	136,900	175	39.0	145.4	12,300				
105	39.0	88.8	37,800	40	77.8	173.1	138,400	45	78.2	202.8	115,900	180	36.9	139.0	11,500				
110	35.4	82.3	35,300	45	76.0	172.0	117,400	50	76.7	201.6	100,000	185	34.6	132.1	10,700				
115	31.4	74.7	33,100	50	74.3	170.7	101,500	55	75.2	200.4	87,500	190	32.3	124.5	10,000				
120	26.8	65.7	31,100	55	72.5	169.2	89,100	60	73.7	199.0	77,400	195	29.8	116.2	9,300				
125	21.4	54.5	29,300	60	70.8	167.5	79,000	65	72.2	197.5	69,200	200	27.0	106.9	8,600				
26	81.0	145.3	239,700	65	69.0	165.7	70,800	70	70.7	195.8	62,300	205	24.0	96.4	8,000				
28	80.1	144.9	230,800	70	67.2	163.7	63,900	75	69.2	194.0	56,400	210	20.6	84.2	6,500				
30	79.3	144.6	211,300	75	65.3	161.5	58,100	80	67.7	192.0	51,400	215	16.4	69.3	4,400				

Boom Lgth.: Feet	Oper. Rad.: Feet	Boom Angle: Deg.	Boom Point: Elev.	Capacity: Crawlers Extended
38	81.5	234.5	132,900	
40	81.0	234.2	125,200	
45	79.7	233.3	114,500	
50	78.5	232.4	98,600	
55	77.2	231.3	86,100	
60	75.9	230.1	76,100	
65	74.6	228.8	67,800	
70	73.3	227.3	60,900	
75	72.0	225.8	55,000	
80	70.7	224.1	50,000	
85	69.4	222.3	45,600	
90	68.0	220.3	41,700	
95	66.7	218.2	38,400	
100	65.3	216.0	35,300	
105	64.0	213.6	32,600	
110	62.6	211.1	30,200	
115	61.1	208.4	28,000	
120	59.7	205.6	26,000	
125	58.3	202.6	24,100	
130	56.8	199.4	22,400	
135	55.3	196.0	20,900	
140	53.8	192.5	19,400	
145	52.2	188.7	18,100	
150	50.6	184.7	16,900	
155	49.0	180.5	15,700	
160	47.3	176.0	14,700	
165	45.6	171.3	13,600	
170	43.8	166.2	12,700	
175	42.0	160.8	11,800	
180	40.1	155.1	11,000	
185	38.1	148.9	10,200	
190	36.0	142.3	9,400	
195	33.9	135.1	8,700	
200	31.6	127.3	8,100	
205	29.1	118.8	7,400	
210	26.4	109.3	6,800	
215	23.5	98.5	6,100	
220	20.1	86.0	4,400	
40	81.4	244.3	123,400	
45	80.2	243.5	112,600	
50	78.9	242.6	98,100	
55	77.7	241.5	85,600	
60	76.5	240.4	75,600	
65	75.3	239.1	67,300	
70	74.0	237.7	60,400	
75	72.8	236.3	54,500	
80	71.5	234.6	49,500	
85	70.3	232.9	45,100	
90	69.0	231.1	41,200	
95	67.7	229.1	37,800	
100	66.4	227.0	34,800	
105	65.1	224.7	32,100	
110	63.8	222.3	29,700	
115	62.5	219.8	27,400	
120	61.1	217.1	25,400	
125	59.7	214.3	23,600	
130	58.3	211.3	21,900	
135	56.9	208.1	20,300	
140	55.5	204.7	18,900	
145	54.0	201.2	17,600	
150	52.5	197.5	16,300	
155	51.0	193.5	15,200	
160	49.5	189.4	14,100	
165	47.9	185.0	13,100	
170	46.2	180.3	12,200	
175	44.6	175.4	11,300	
180	42.8	170.2	10,400	
185	41.0	164.6	9,600	
190	39.2	158.7	8,900	
195	37.3	152.3	8,200	
200	35.2	145.5	7,500	
205	33.1	138.1	6,700	
210	30.9	130.1	6,000	
215	28.5	121.4	5,300	
220	25.8	111.6	4,700	
225	23.0	100.6	4,000	

Boom Lgth.: Feet	Oper. Rad.: Feet	Boom Angle: Deg.	Boom Point: Elev.	Capacity: Crawlers Extended
45	80.6	253.6	106,600	
50	79.4	252.7	97,800	
55	78.2	251.7	85,200	
60	77.1	250.6	75,200	
65	75.9	249.4	66,900	
70	74.7	248.1	60,000	
75	73.5	246.7	54,100	
80	72.3	245.2	49,100	
85	71.1	243.5	44,700	
90	69.9	241.7	40,800	
95	68.7	239.8	37,400	
100	67.4	237.8	34,400	
105	66.2	235.7	31,700	
110	64.9	233.4	29,300	
115	63.6	231.0	27,100	
120	62.4	228.5	25,000	
125	61.1	225.8	23,200	
130	59.7	222.9	21,500	
135	58.4	219.9	20,000	
140	57.0	216.8	18,500	
145	55.7	213.4	17,200	
150	54.3	209.9	16,000	
155	52.8	206.2	14,800	
160	51.4	202.4	13,700	
165	49.9	198.3	12,700	
170	48.4	193.9	11,800	
175	46.8	189.4	10,900	
180	45.3	184.5	10,100	
185	43.6	179.4	9,300	
190	41.9	174.0	8,500	
195	40.2	168.3	7,800	
200	38.4	162.2	7,000	
205	36.5	155.7	6,200	
210	34.5	148.7	5,500	
215	32.4	141.1	4,800	
220	30.2	132.9	4,100	
45	80.9	263.7	104,800	
50	79.8	262.9	95,700	
55	78.7	261.9	84,700	
60	77.6	260.9	74,700	
65	76.4	259.7	66,400	
70	75.3	258.5	59,500	
75	74.2	257.1	53,600	
80	73.0	255.6	48,500	
85	71.8	254.1	44,100	
90	70.7	252.4	40,300	
95	69.5	250.6	36,900	
100	68.3	248.6	33,900	
105	67.1	246.6	31,100	
110	65.9	244.4	28,700	
115	64.7	242.1	26,500	
120	63.5	239.7	24,500	
125	62.3	237.1	22,600	
130	61.0	234.4	20,900	
135	59.7	231.6	19,400	
140	58.5	228.6	17,900	
145	57.2	225.4	16,600	
150	55.8	222.1	15,400	
155	54.5	218.7	14,200	
160	53.1	215.0	13,100	
165	51.7	211.2	12,100	
170	50.3	207.1	11,200	
175	48.9	202.9	10,300	
180	47.4	198.4	9,500	
185	45.9	193.7	8,700	
190	44.3	188.7	7,900	
195	42.7	183.4	7,000	
200	41.1	177.8	6,200	
205	39.4	171.9	5,400	
210	37.6	165.6	4,700	
215	35.8	158.9	4,000	

230

250

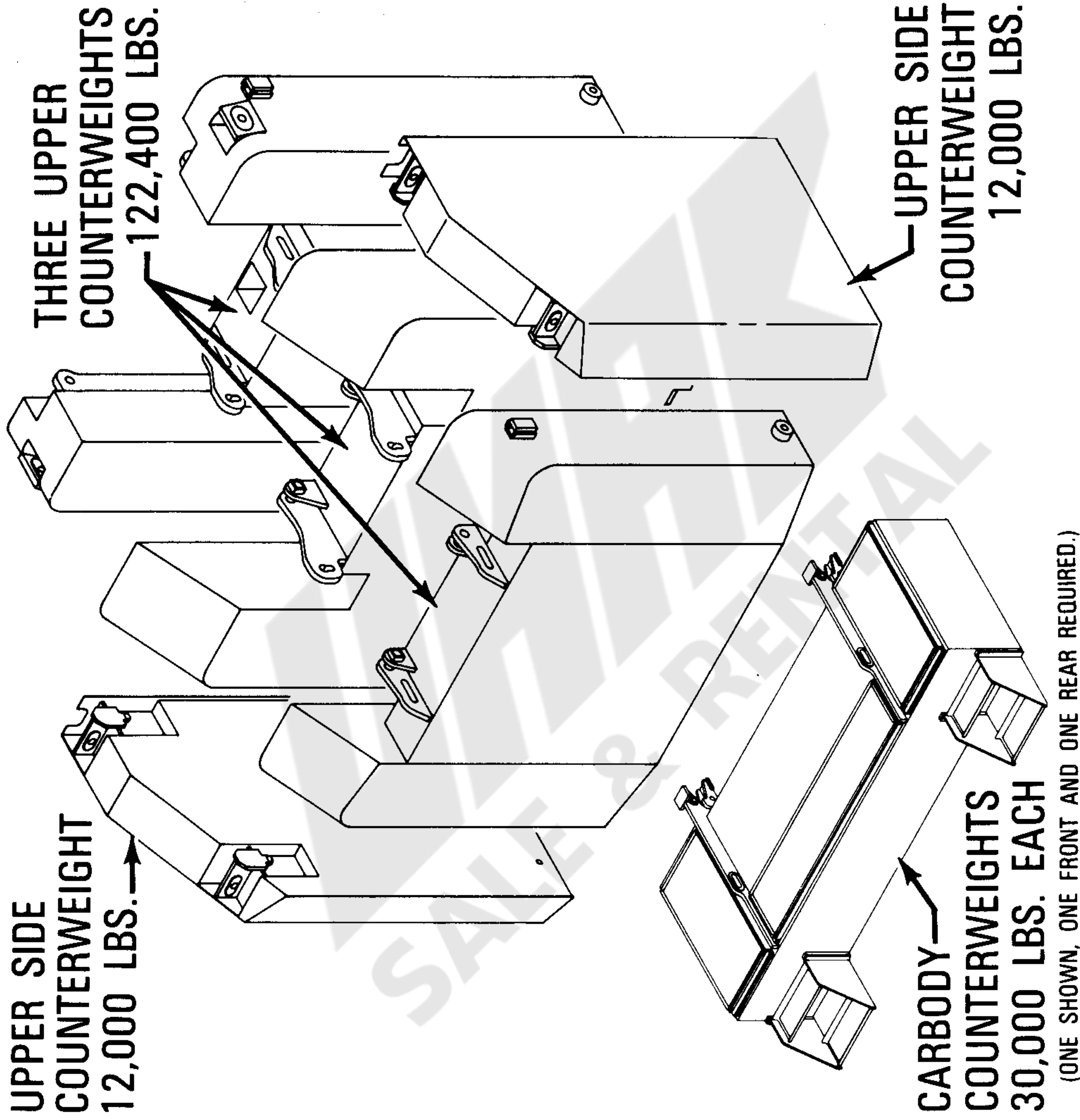
240

260

CAUTION

BOTH CARBODY COUNTERWEIGHTS MUST ALWAYS BE ATTACHED TO CARBODY BEFORE ATTACHING THE UPPER SIDE COUNTERWEIGHTS TO THE UPPER COUNTERWEIGHTS. LIKEWISE, THE UPPER SIDE COUNTERWEIGHTS MUST BE REMOVED FROM THE UPPER COUNTERWEIGHTS BEFORE REMOVING THE CARBODY COUNTERWEIGHTS. NEVER OPERATE THE MACHINE WITH UPPER SIDE COUNTERWEIGHTS IN PLACE UNLESS BOTH CARBODY COUNTERWEIGHTS ARE ALSO IN PLACE.

4100W SERIES 2



Boom Lgth.: Feet	Oper. Rad.: Feet	Boom Ang.: Deg.	Boom Point: Elev.	Capacity: Crawlers Extended	Boom Lgth.: Feet	Oper. Rad.: Feet	Boom Ang.: Deg.	Boom Point: Elev.	Capacity: Crawlers Extended	Boom Lgth.: Feet	Oper. Rad.: Feet	Boom Ang.: Deg.	Boom Point: Elev.	Capacity: Crawlers Extended	Boom Lgth.: Feet	Oper. Rad.: Feet	Boom Ang.: Deg.	Boom Point: Elev.	Capacity: Crawlers Extended	
22	82.3	115.7		240,500	140	105	45.3	104.2	37,200	180	32	82.1	185.0	158,700	200	175	32.3	111.1	13,300	
24	81.3	115.4		232,100		110	42.2	98.8	34,700		34	81.5	184.7			154,000	180	29.4	102.4	12,400
26	80.2	115.0		224,400		115	39.0	92.7	32,500		36	80.8	184.3			149,500	185	26.2	92.5	11,700
28	79.1	114.6		217,900		120	35.5	85.7	30,500		38	80.2	184.0			145,200	190	22.6	81.0	10,900
30	78.1	114.1		210,700		125	31.7	77.8	28,700		40	79.5	183.6			137,900	195	18.4	67.0	8,500
32	77.0	113.6		193,300		130	27.4	68.5	27,000		45	77.9	182.5			116,900	36	82.1	214.7	134,200
34	75.9	113.1		177,100		135	22.2	57.0	25,500		50	76.3	181.2			101,000	38	81.6	214.4	131,000
36	74.8	112.5		163,300		28	82.1	155.3	185,600		55	74.6	179.8			88,500	40	81.0	214.1	127,900
38	73.7	111.8		151,400		30	81.3	154.9	179,600		60	72.9	178.3			78,500	45	79.6	213.2	115,500
40	72.6	111.2		141,000		32	80.5	154.6	174,000		65	71.3	176.6			70,300	50	78.3	212.1	99,600
45	69.9	109.3		120,100	34	79.7	154.2	168,800	70	69.6	174.7		63,400	55	76.9	210.9	87,100			
50	67.0	107.2		104,200	36	79.0	153.8	161,600	75	67.8	172.6		57,500	60	75.4	209.6	77,100			
55	64.1	104.7		91,800	38	78.2	153.3	149,600	80	66.1	170.4		52,500	65	74.0	208.1	68,800			
60	61.2	101.9		81,800	40	77.4	152.8	139,200	85	64.3	168.0		48,100	70	72.6	206.6	61,900			
65	58.1	98.8		73,600	45	75.4	151.5	118,200	90	62.5	165.4		44,300	75	71.2	204.8	56,100			
70	54.9	95.3		66,800	50	73.4	150.0	102,400	95	60.7	162.5		40,900	80	69.7	203.0	51,000			
75	51.6	91.3		60,900	55	71.4	148.3	89,900	100	58.9	159.5		37,900	85	68.2	201.0	46,700			
80	48.1	86.8		55,900	60	69.4	146.4	79,900	105	57.0	156.2		35,200	90	66.7	198.8	42,800			
85	44.4	81.7		51,600	65	67.3	144.3	71,700	110	55.0	152.7		32,700	95	65.2	196.5	39,400			
90	40.4	75.9		47,800	70	65.2	141.9	64,800	115	53.0	149.0		30,500	100	63.7	194.0	36,400			
95	36.1	69.2		44,400	75	63.0	139.4	59,000	120	51.0	144.9		28,500	105	62.2	191.3	33,700			
100	31.1	61.1		41,400	80	60.9	136.6	53,900	125	48.9	140.5		26,700	110	60.6	188.5	31,300			
105	25.3	51.1		38,700	85	58.6	133.5	49,600	130	46.7	135.8		25,000	115	59.0	185.5	29,100			
110	17.6	37.2		33,900	90	56.3	130.1	45,700	135	44.4	130.7		23,500	120	57.4	182.3	27,100			
22	83.0	125.9		228,700	95	54.0	126.5	42,400	140	42.0	125.2		22,000	125	55.7	178.9	25,200			
24	82.0	125.5		220,500	100	51.5	122.5	39,400	145	39.6	119.2		20,700	130	54.1	175.2	23,500			
26	81.0	125.2		213,000	105	49.0	118.2	36,700	150	36.9	112.6		19,500	135	52.3	171.4	22,000			
28	80.0	124.8		206,100	110	46.4	113.4	34,200	155	34.1	105.3		18,300	140	50.6	167.3	20,600			
30	79.1	124.4		199,700	115	43.6	108.2	32,000	160	31.1	97.2		17,200	145	48.8	162.9	19,200			
32	78.1	123.9		192,800	120	40.7	102.4	30,000	165	27.7	87.9		16,200	150	46.9	158.2	18,000			
34	77.1	123.4		186,600	125	37.6	96.0	28,200	170	23.9	77.1		15,300	155	45.0	153.2	16,800			
36	76.1	122.9		180,800	130	34.2	88.8	26,500	175	19.4	63.8		13,500	160	43.0	147.9	15,800			
38	75.1	122.3		175,900	135	30.5	80.5	25,000	32	82.5	195.1		153,100	165	40.9	142.1	14,800			
40	74.1	121.7		171,500	140	26.4	70.8	23,500	34	81.9	194.8		148,800	170	38.7	135.9	13,800			
45	71.6	120.0		159,500	145	21.4	58.8	22,200	36	81.3	194.5		144,800	175	36.5	129.2	12,900			
50	69.1	118.1		147,700	28	82.6	165.4	179,800	38	80.7	194.1		140,800	180	34.0	121.9	12,100			
55	66.5	115.9		136,300	30	81.8	165.1	173,900	40	80.1	193.8		137,000	185	31.5	113.9	11,300			
60	63.8	113.4		125,300	32	81.1	164.7	168,400	45	78.5	192.7		132,500	190	28.7	104.9	10,600			
65	61.1	110.6		114,700	34	80.4	164.4	163,300	50	77.0	191.5		128,000	195	25.6	94.7	9,900			
70	58.3	107.5		104,200	36	79.7	164.0	158,600	55	75.4	190.2		123,500	200	22.1	82.9	8,800			
75	55.4	104.0		94,700	38	78.9	163.6	149,100	60	73.9	188.8		119,000	205	17.9	68.5	6,500			
80	52.4	100.1		85,300	40	78.2	163.1	144,700	70	70.7	185.4		114,400	38	82.0	224.6	125,700			
85	49.2	95.8		76,800	45	76.3	161.9	137,700	75	69.1	183.4		109,800	40	81.4	224.2	122,800			
90	45.9	91.0		68,300	50	74.5	160.5	131,200	80	67.4	181.4		105,200	45	80.1	223.3	115,000			
95	42.4	85.5		60,800	55	72.6	158.9	124,700	85	65.8	179.1		100,600	50	78.8	222.3	107,100			
100	38.6	79.4		53,300	60	70.7	157.1	118,200	90	64.1	176.6		96,000	55	77.5	221.2	99,600			
105	34.4	72.2		46,800	65	68.8	155.1	112,700	95	62.4	174.0		91,400	60	76.1	220.0	92,100			
110	29.7	63.7		41,300	70	66.8	153.0	107,200	100	60.7	171.2		86,800	65	74.8	218.6	84,600			
115	24.1	53.2		35,800	75	64.9	150.6	101,700	105	58.9	168.2		82,200	70	73.4	217.1	77,100			
24	82.6	135.7		212,700	80	62.9	148.0	96,200	110	57.1	164.9		77,600	75	72.0	215.4	70,600			
26	81.7	135.3		205,300	85	60.8	145.2	90,700	115	55.3	161.4		73,000	80	70.7	213.7	64,100			
28	80.8	135.0		198,600	90	58.7	142.2	85,200	120	53.4	157.7		68,400	85	69.3	211.8	57,600			
30	79.9	134.6		192,300	95	56.6	138.8	79,700	125	51.5	153.7		63,800	90	67.9	209.7	51,100			
32	79.0	134.2		186,500	100	54.4	135.2	74,200	130	49.5	149.5		59,200	95	66.4	207.5	44,600			
34	78.1	133.7		181,300	105	52.1	131.4	68,700	135	47.5	144.9		54,600	100	65.0	205.2	38,100			
36	77.2	133.2		176,600	110	49.7	127.1	63,200	140	45.3	140.0		50,000	105	63.6	202.7	31,600			
38	76.3	132.7		172,400	115	47.3	122.5	57,700	145	43.1	134.6		45,400	110	62.1	200.0	25,100			
40	75.4	132.1		168,600	120	44.8	117.5	52,200	150	40.8	128.9		40,800	115	60.6	197.2	18,600			
45	73.1	130.6		155,300	125	42.1	112.0	46,700	155	38.4	122.6		36,200	120	59.1	194.2	12,100			
50	70.8	128.8		142,800	130	39.3	105.9	41,200	160	35.9	115.8		31,600	125	57.5	191.0	5,600			
55	68.4	126.8		130,300	135	36.3	99.2	35,700	165	33.2	108.3		27,000	130	55.9	187.6	2,100			
60	66.0	124.6		118,800	140	33.1	91.7	30,200	170	30.2	99.8		22,400	135	54.3	184.0	2,100			
65	63.5	122.0		107,300	145	29.5	83.0	24,700	175	27.0	90.3		17,800	140	52.7	180.2	2,100			
70	61.0	119.2		95,800	150	25.5	72.9	19,200	180	23.3	79.1		13,200	145	51.0	176.1	2,100			
75	58.4	116.1		84,300	155	20.7	60.5	13,700	185	18.9	65.4		8,600	150	49.3	171.8	2,100			
80	55.7	112.7		72,800	30	82.3	175.2	169,000	34	82.3	204.9		143,100	155	47.6	167.3	1,600			
85	53.0	108.9		61,300	32	81.6	174.9	163,600	36	81.7	204.6		139,500	160	45.7	162.4	1,100			
90	50.1	104.8		50,800	34	81.0	174.5	158,700	38	81.2	204.3		136,000	165	43.9	157.2	600			
95	47.1	100.1		40,300	36	80.3	174.2	154,000	40	80.6	203.9		132,500	170	41.9	151.7	1,100			
100	43.9	95.0		30,800	38	79.6	173.8	148,800	45	79.1	203.0		115,900	175	39.9	145.7	1,100			
105	40.6	89.2		22,300	40	78.9	173.3	138,400	50	77.7	201.8		100,000	180	37.8	139.3	1,100			
110	36.9	82.6		14,800	45	77.2	172.2	127,900	55	76.2	200.6		87,500	185	35.6	132.4	1,100			
115	33.0	75.1		8,300	50	75.4	170.9	117,400	60	74.7	199.2		77,400	190	33.2	124.8	1,100			
120	28.5	66.1		4,800	55	73.7	169.4	106,900	65	73.2	197.7		69,200	195	30.7	116.6	900			
125	23.1																			

Boom Lgth.: Feet	Oper. Rad.: Feet	Boom Angle: Deg.	Boom Point: Elev.	Capacity Crawlers Extended
38	82.3	234.7	119,500	
40	81.8	234.4	117,100	
45	80.6	233.5	111,200	
50	79.3	232.6	98,600	
55	78.0	231.5	86,100	
60	76.7	230.3	76,100	
65	75.4	229.0	67,800	
70	74.2	227.5	60,900	
75	72.9	226.0	55,000	
80	71.5	224.3	50,000	
85	70.2	222.5	45,600	
90	68.9	220.5	41,700	
95	67.5	218.4	38,400	
100	66.2	216.2	35,300	
105	64.8	213.9	32,600	
110	63.4	211.3	30,200	
115	62.0	208.7	28,000	
120	60.6	205.8	26,000	
125	59.1	202.8	24,100	
130	57.6	199.6	22,400	
135	56.1	196.3	20,900	
140	54.6	192.7	19,400	
145	53.0	189.0	18,100	
150	51.5	185.0	16,900	
155	49.8	180.7	15,700	
160	48.2	176.3	14,700	
165	46.4	171.5	13,600	
170	44.7	166.5	12,700	
175	42.8	161.1	11,800	
180	40.9	155.4	11,000	
185	39.0	149.2	10,200	
190	36.9	142.6	9,400	
195	34.7	135.5	8,700	
200	32.4	127.7	8,100	
205	30.0	119.2	7,400	
210	27.3	109.7	6,800	
215	24.4	99.0	6,100	
220	21.0	86.6	4,400	

2
3
0

2
4
0

40	82.2	244.5	111,700
45	81.0	243.7	106,300
50	79.7	242.7	98,100
55	78.5	241.7	85,600
60	77.3	240.6	75,600
65	76.1	239.3	67,300
70	74.8	237.9	60,400
75	73.6	236.5	54,500
80	72.3	234.9	49,500
85	71.1	233.1	45,100
90	69.8	231.3	41,200
95	68.5	229.3	37,800
100	67.2	227.2	34,800
105	65.9	224.9	32,100
110	64.6	222.5	29,700
115	63.3	220.0	27,400
120	61.9	217.3	25,400
125	60.5	214.5	23,600
130	59.1	211.5	21,900
135	57.7	208.3	20,300
140	56.3	205.0	18,900
145	54.8	201.5	17,600
150	53.3	197.7	16,300
155	51.8	193.8	15,200
160	50.3	189.6	14,100
165	48.7	185.2	13,100
170	47.1	180.6	12,200
175	45.4	175.7	11,300
180	43.7	170.5	10,400
185	41.9	164.9	9,600
190	40.0	159.0	8,900
195	38.1	152.6	8,200
200	36.1	145.8	7,500
205	34.0	138.5	6,700
210	31.7	130.5	6,000
215	29.3	121.8	5,300
220	26.7	112.1	4,700
225	23.8	101.1	4,000

Boom Lgth.: Feet	Oper. Rad.: Feet	Boom Angle: Deg.	Boom Point: Elev.	Capacity Crawlers Extended
45	81.3	253.8	101,500	
50	80.2	252.9	96,900	
55	79.0	251.9	85,200	
60	77.8	250.8	75,200	
65	76.6	249.6	66,900	
70	75.5	248.3	60,000	
75	74.3	246.9	54,100	
80	73.1	245.4	49,100	
85	71.9	243.7	44,700	
90	70.6	241.9	40,800	
95	69.4	240.1	37,400	
100	68.2	238.0	34,400	
105	66.9	235.9	31,700	
110	65.7	233.6	29,300	
115	64.4	231.2	27,100	
120	63.1	228.7	25,000	
125	61.8	226.0	23,200	
130	60.5	223.1	21,500	
135	59.2	220.2	20,000	
140	57.8	217.0	18,500	
145	56.4	213.7	17,200	
150	55.1	210.2	16,000	
155	53.6	206.5	14,800	
160	52.2	202.6	13,700	
165	50.7	198.5	12,700	
170	49.2	194.2	11,800	
175	47.6	189.6	10,900	
180	46.0	184.8	10,100	
185	44.4	179.7	9,300	
190	42.7	174.3	8,500	
195	41.0	168.6	7,800	
200	39.2	162.5	7,000	
205	37.3	156.0	6,200	
210	35.3	149.0	5,500	
215	33.3	141.4	4,800	
220	31.1	133.3	4,100	

2
5
0

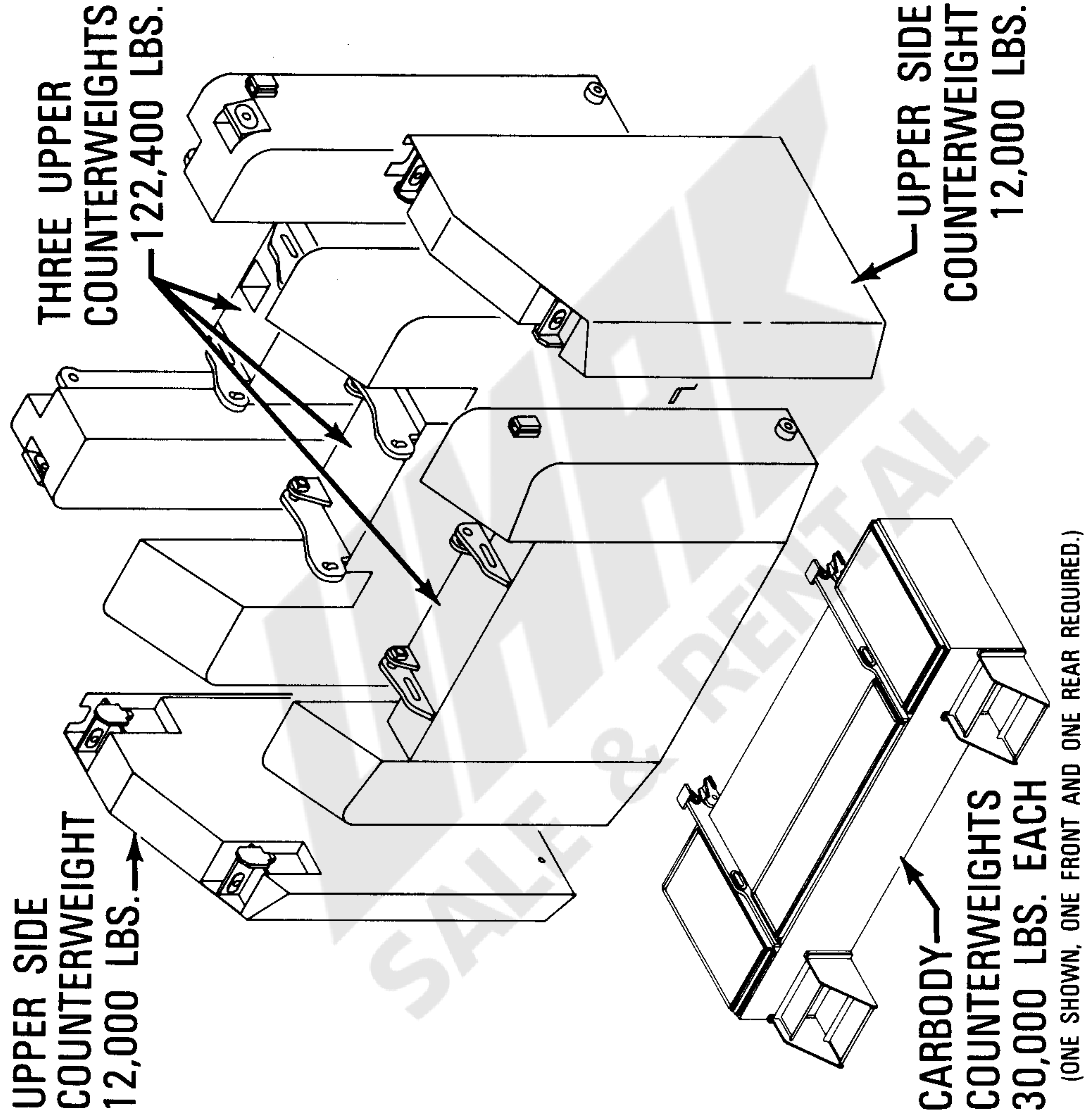
45	81.7	263.9	96,500
50	80.5	263.1	92,300
55	79.4	262.1	84,700
60	78.3	261.1	74,700
65	77.2	259.9	66,400
70	76.0	258.7	59,500
75	74.9	257.3	53,600
80	73.7	255.8	48,500
85	72.6	254.3	44,100
90	71.4	252.6	40,300
95	70.3	250.8	36,900
100	69.1	248.8	33,900
105	67.9	246.8	31,100
110	66.7	244.6	28,700
115	65.5	242.3	26,500
120	64.2	239.9	24,500
125	63.0	237.3	22,600
130	61.8	234.6	20,900
135	60.5	231.8	19,400
140	59.2	228.8	17,900
145	57.9	225.7	16,600
150	56.6	222.4	15,400
155	55.2	218.9	14,200
160	53.9	215.2	13,100
165	52.5	211.4	12,100
170	51.1	207.4	11,200
175	49.6	203.1	10,300
180	48.2	198.6	9,500
185	46.6	193.9	8,700
190	45.1	188.9	7,900
195	43.5	183.7	7,000
200	41.8	178.1	6,200
205	40.1	172.2	5,400
210	38.4	165.9	4,700
215	36.5	159.2	4,000

2
6
0

CAUTION

BOTH CARBODY COUNTERWEIGHTS MUST ALWAYS BE ATTACHED TO CARBODY BEFORE ATTACHING THE UPPER SIDE COUNTERWEIGHTS TO THE UPPER COUNTERWEIGHTS. LIKEWISE, THE UPPER SIDE COUNTERWEIGHTS MUST BE REMOVED FROM THE UPPER COUNTERWEIGHTS BEFORE REMOVING THE CARBODY COUNTERWEIGHTS. NEVER OPERATE THE MACHINE WITH UPPER SIDE COUNTERWEIGHTS IN PLACE UNLESS BOTH CARBODY COUNTERWEIGHTS ARE ALSO IN PLACE.

4100W SERIES 2



LIFT CRANE JIB CAPACITIES

MEETS
ANSI B30.5
REQUIREMENTS

4100W SERIES 2

**JIB NO. 123 WITH 12' 6" STRUT ON
BOOM NO. 22C WITH OPEN THROAT TOP
146,400 LB. CRANE COUNTERWEIGHT
60,000 LB. CARBODY COUNTERWEIGHT
26' 6" CRAWLERS EXTENDED**

CHART SUPPLEMENTS BOOM CAPACITY CHART NO. 6934-A. CAPACITIES FOR VARIOUS BOOM LENGTHS, JIB LENGTHS AND JIB OPERATING RADII ARE FOR FREELY SUSPENDED LOADS AND DO NOT EXCEED 75% OF A STATIC TIPPING LOAD. CAPACITIES BASED ON STRUCTURAL COMPETENCE ARE DENOTED BY AN ASTERISK (*).

WEIGHT OF ALL LOAD BLOCKS, HOOKS, WEIGHT BALL, SLINGS, HOIST LINES, ETC., BENEATH BOOM AND JIB POINT SHEAVES, IS CONSIDERED PART OF THE JIB LOAD. BOOM AND JIB ARE NOT TO BE LOWERED BEYOND RADII WHERE COMBINED WEIGHTS ARE GREATER THAN RATED CAPACITY. WHERE NO CAPACITY IS SHOWN, OPERATION IS NOT INTENDED OR APPROVED.

MACHINE TO OPERATE IN A LEVEL POSITION ON A FIRM SURFACE WITH CRAWLERS FULLY EXTENDED AND GANTRY UP. REFER TO BOOM RIGGING NO. 190693, JIB ASSEMBLY NO. 43730 AND WIRE ROPE SPECIFICATION CHART NO. 6592-A. CRANE OPERATOR JUDGMENT MUST BE USED TO ALLOW FOR DYNAMIC LOAD EFFECTS OF SWINGING, HOISTING OR LOWERING, TRAVEL, WIND CONDITIONS, AS WELL AS ADVERSE OPERATING CONDITIONS AND PHYSICAL MACHINE DEPRECIATION.

OPERATING RADIUS IS THE HORIZONTAL DISTANCE FROM THE AXIS OF ROTATION TO THE CENTER OF VERTICAL HOIST LINE OR LOAD BLOCK. BOOM ANGLE IS THE ANGLE BETWEEN HORIZONTAL AND CENTERLINE OF BOOM BUTT AND INSERTS AND IS AN INDICATION OF OPERATING RADIUS. IN ALL CASES, OPERATING RADIUS SHALL GOVERN CAPACITY. JIB POINT ELEVATION IS VERTICAL DISTANCE FROM GROUND LEVEL TO CENTERLINE OF JIB POINT SHAFT.

MACHINE EQUIPPED WITH 26' 6" EXTENDIBLE CRAWLERS, 48" TREADS, 17' RETRACTABLE GANTRY, 12 PART BOOM HOIST REEVING, FOUR 1-3/8" BOOM PENDANTS, 1ST CWT. = 41,900 LBS., 2ND CWT. = 41,500 LBS., 3RD CWT. = 39,000 LBS., TWO 12,000 LB. SIDE CWTs. AND TWO 30,000 LB. CARBODY CWTs.

MAXIMUM CAPACITY ON 1-1/8" - 6 X 31 IPS, IWRC IS 28,300 LBS. PER LINE.

MAXIMUM BOOM AND JIB LENGTHS LIFTED UNASSISTED			
OVER END OF CRAWLERS		OVER SIDE OF EXTENDED CRAWLERS	
BM. LGTH.	JIB NO. 123	BM. LGTH.	JIB NO. 123
260'	---	260'	---
250'	---	250'	---
240'	40'	240'	40'
230'	60'	230'	60'

LOAD BLOCK, HOOK AND WEIGHT BALL ON GROUND AT START.

30 FOOT JIB

BOOM LGTH. FEET	JIB OPER. RAD. FEET	0 DEGREE OFFSET			10 DEGREE OFFSET			20 DEGREE OFFSET			JIB OPER. RAD. FEET
		BOOM ANG. DEG.	JIB POINT ELEV. FEET	CAPACITY POUNDS	BOOM ANG. DEG.	JIB POINT ELEV. FEET	CAPACITY POUNDS	BOOM ANG. DEG.	JIB POINT ELEV. FEET	CAPACITY POUNDS	
110	30	79.9	148.1	40,000*							30
	35	77.9	147.1	40,000*	79.9	146.6	40,000*				35
	40	75.8	145.9	40,000*	77.8	145.4	40,000*	79.8	144.1	40,000*	40
	45	73.8	144.5	40,000*	75.8	144.0	40,000*	77.7	142.7	40,000*	45
	50	71.7	142.9	40,000*	73.7	142.4	40,000*	75.6	141.1	40,000*	50
	55	69.5	141.1	40,000*	71.5	140.6	40,000*	73.4	139.3	40,000*	55
	60	67.4	139.1	40,000*	69.4	138.6	40,000*	71.2	137.3	40,000*	60
	65	65.2	136.9	40,000*	67.2	136.3	40,000*	69.0	135.0	40,000*	65
	70	63.0	134.4	40,000*	64.9	133.9	40,000*	66.8	132.5	40,000*	70
	75	60.7	131.7	40,000*	62.6	131.1	40,000*	64.5	129.7	38,800*	75
	80	58.4	128.7	40,000*	60.3	128.1	40,000*	62.1	126.7	37,400*	80
	90	53.5	121.9	40,000*	55.4	121.3	40,000*	57.2	119.7	35,000*	90
100	48.4	113.6	40,000*	50.2	113.0	38,600*				100	
110	42.7	103.7	36,300	44.6	103.0	35,900*				110	
120	36.4	91.4	32,100							120	
120	35	78.7	157.3	40,000*							35
	40	76.8	156.2	40,000*	78.7	155.7	40,000*				40
	45	74.8	154.9	40,000*	76.7	154.4	40,000*	78.5	153.1	40,000*	45
	50	72.9	153.4	40,000*	74.8	152.9	40,000*	76.6	151.6	40,000*	50
	55	70.9	151.8	40,000*	72.8	151.3	40,000*	74.6	149.9	40,000*	55
	60	68.9	149.9	40,000*	70.8	149.4	40,000*	72.6	148.0	40,000*	60
	65	66.9	147.8	40,000*	68.8	147.3	40,000*	70.5	146.0	40,000*	65
	70	64.9	145.6	40,000*	66.7	145.0	40,000*	68.4	143.7	40,000*	70
	75	62.8	143.1	40,000*	64.6	142.5	40,000*	66.3	141.1	40,000*	75
	80	60.7	140.3	40,000*	62.5	139.8	40,000*	64.2	138.4	38,600*	80
	90	56.3	134.1	40,000*	58.1	133.5	40,000*	59.7	132.0	36,200*	90
	100	51.6	126.8	40,000*	53.4	126.1	40,000*	55.0	124.5	34,100*	100
110	46.7	118.0	35,600	48.4	117.3	36,000				110	
120	41.2	107.5	31,400	43.0	106.8	31,700				120	
130	35.2	94.6	27,900							130	

LIFT CRANE JIB CAPACITIES

MEETS
ANSI B30.5
REQUIREMENTS

4100W SERIES 2

JIB NO. 123 WITH 12' 6" STRUT ON
BOOM NO. 22C WITH OPEN THROAT TOP
146,400 LB. CRANE COUNTERWEIGHT
60,000 LB. CARBODY COUNTERWEIGHT
26' 6" CRAWLERS EXTENDED

30 FOOT JIB

BOOM LGTH. FEET	JIB OPER. RAD. FEET	0 DEGREE OFFSET			10 DEGREE OFFSET			20 DEGREE OFFSET			JIB OPER. RAD. FEET
		BOOM ANG. DEG.	JIB POINT ELEV. FEET	CAPACITY POUNDS	BOOM ANG. DEG.	JIB POINT ELEV. FEET	CAPACITY POUNDS	BOOM ANG. DEG.	JIB POINT ELEV. FEET	CAPACITY POUNDS	
130	35	79.4	167.5	40,000*							35
	40	77.6	166.5	40,000*	79.4	166.0	40,000*				40
	45	75.8	165.3	40,000*	77.6	164.8	40,000*	79.3	163.5	40,000*	45
	50	74.0	163.9	40,000*	75.7	163.4	40,000*	77.4	162.1	40,000*	50
	55	72.1	162.3	40,000*	73.9	161.8	40,000*	75.6	160.5	40,000*	55
	60	70.3	160.6	40,000*	72.0	160.1	40,000*	73.7	158.7	40,000*	60
	65	68.4	158.7	40,000*	70.1	158.1	40,000*	71.8	156.8	40,000*	65
	70	66.5	156.6	40,000*	68.2	156.0	40,000*	69.9	154.7	40,000*	70
	75	64.6	154.3	40,000*	66.3	153.7	40,000*	67.9	152.3	40,000*	75
	80	62.6	151.7	40,000*	64.3	151.2	40,000*	65.9	149.8	39,700*	80
	90	58.6	146.0	40,000*	60.3	145.5	40,000*	61.8	144.0	37,300*	90
	100	54.4	139.3	40,000*	56.0	138.7	40,000*	57.5	137.2	35,200*	100
	110	49.9	131.5	35,200	51.6	130.8	35,600	53.0	129.2	33,400*	110
	120	45.1	122.2	31,000	46.7	121.5	31,300				120
130	39.9	111.2	27,400							130	
140	34.0	97.7	24,400							140	
140	35	80.0	177.7	40,000*							35
	40	78.3	176.7	40,000*	80.0	176.2	40,000*				40
	45	76.6	175.6	40,000*	78.3	175.1	40,000*	79.9	173.7	40,000*	45
	50	74.9	174.3	40,000*	76.6	173.8	40,000*	78.2	172.4	40,000*	50
	55	73.2	172.8	40,000*	74.9	172.3	40,000*	76.4	171.0	40,000*	55
	60	71.5	171.2	40,000*	73.1	170.7	40,000*	74.7	169.3	40,000*	60
	65	69.7	169.4	40,000*	71.3	168.9	40,000*	72.9	167.5	40,000*	65
	70	67.9	167.4	40,000*	69.6	166.9	40,000*	71.1	165.5	40,000*	70
	75	66.1	165.3	40,000*	67.8	164.7	40,000*	69.3	163.3	40,000*	75
	80	64.3	163.0	40,000*	65.9	162.4	40,000*	67.4	161.0	40,000*	80
	90	60.6	157.7	40,000*	62.2	157.1	40,000*	63.7	155.6	38,300*	90
	100	56.7	151.5	39,800	58.3	150.9	40,000*	59.7	149.4	36,200*	100
	110	52.6	144.3	34,600	54.2	143.7	35,000	55.6	142.1	34,300*	110
	120	48.3	136.0	30,300	49.9	135.3	30,700				120
130	43.7	126.2	26,800	45.2	125.5	27,100				130	
140	38.7	114.7	23,800							140	
150	33.0	100.7	21,200							150	
150	35	80.6	187.8	40,000*							35
	40	79.0	186.9	40,000*	80.5	186.4	40,000*				40
	45	77.4	185.8	40,000*	78.9	185.3	40,000*	80.5	184.0	40,000*	45
	50	75.8	184.6	40,000*	77.3	184.1	40,000*	78.8	182.8	40,000*	50
	55	74.1	183.3	40,000*	75.7	182.7	40,000*	77.2	181.4	40,000*	55
	60	72.5	181.7	40,000*	74.1	181.2	40,000*	75.6	179.8	40,000*	60
	65	70.9	180.0	40,000*	72.4	179.5	40,000*	73.9	178.1	40,000*	65
	70	69.2	178.2	40,000*	70.7	177.7	40,000*	72.2	176.3	40,000*	70
	75	67.5	176.2	40,000*	69.1	175.6	40,000*	70.5	174.2	40,000*	75
	80	65.8	174.0	40,000*	67.3	173.5	40,000*	68.8	172.0	40,000*	80
	90	62.3	169.1	40,000*	63.9	168.5	40,000*	65.3	167.0	39,300*	90
	100	58.7	163.4	39,200	60.2	162.8	39,800	61.6	161.3	37,100*	100
	110	55.0	156.8	34,000	56.5	156.2	34,500	57.8	154.6	35,000	110
	120	51.1	149.2	29,800	52.5	148.5	30,200	53.8	146.8	30,600	120
130	46.9	140.4	26,200	48.4	139.7	26,600				130	
140	42.4	130.2	23,200	43.9	129.4	23,500				140	
150	37.6	118.1	20,600							150	
160	32.0	103.6	18,400							160	
160	40	79.5	197.1	40,000*							40
	45	78.0	196.1	40,000*	79.5	195.6	40,000*				45
	50	76.5	194.9	40,000*	78.0	194.4	40,000*	79.4	193.1	40,000*	50
	55	75.0	193.6	40,000*	76.5	193.1	40,000*	77.9	191.8	40,000*	55
	60	73.4	192.2	40,000*	74.9	191.7	40,000*	76.3	190.3	40,000*	60
	65	71.9	190.6	40,000*	73.4	190.1	40,000*	74.8	188.7	40,000*	65
	70	70.3	188.9	40,000*	71.8	188.3	40,000*	73.2	187.0	40,000*	70
	75	68.7	187.0	40,000*	70.2	186.4	40,000*	71.6	185.0	40,000*	75
	80	67.1	184.9	40,000*	68.6	184.4	40,000*	70.0	183.0	40,000*	80
	90	63.9	180.3	40,000*	65.3	179.8	40,000*	66.7	178.3	40,000*	90
	100	60.5	175.0	38,600	62.0	174.4	39,200	63.3	172.9	38,000*	100
	110	57.0	168.9	33,400	58.5	168.3	33,900	59.8	166.7	34,400	110
	120	53.4	161.9	29,100	54.8	161.2	29,600	56.1	159.6	30,000	120
	130	49.6	153.8	25,600	51.0	153.2	26,000				130
140	45.6	144.6	22,600	47.0	143.9	22,900				140	
150	41.3	134.0	20,000	42.6	133.2	20,300				150	
160	36.5	121.5	17,800							160	

LIFT CRANE JIB CAPACITIES

MEETS
ANSI B30.5
REQUIREMENTS

4100W SERIES 2

JIB NO. 123 WITH 12' 6" STRUT ON
BOOM NO. 22C WITH OPEN THROAT TOP
146,400 LB. CRANE COUNTERWEIGHT
60,000 LB. CARBODY COUNTERWEIGHT
26' 6" CRAWLERS EXTENDED

30 FOOT JIB

BOOM LGTH. FEET	JIB OPER. RAD. FEET	0 DEGREE OFFSET			10 DEGREE OFFSET			20 DEGREE OFFSET			JIB OPER. RAD. FEET
		BOOM ANG. DEG.	JIB POINT ELEV. FEET	CAPACITY POUNDS	BOOM ANG. DEG.	JIB POINT ELEV. FEET	CAPACITY POUNDS	BOOM ANG. DEG.	JIB POINT ELEV. FEET	CAPACITY POUNDS	
170	40	80.1	207.3	40,000*							40
	45	78.6	206.3	40,000*	80.0	205.8	40,000*				45
	50	77.2	205.2	40,000*	78.6	204.7	40,000*	80.0	203.3	40,000*	50
	55	75.7	204.0	40,000*	77.2	203.5	40,000*	78.5	202.1	40,000*	55
	60	74.3	202.6	40,000*	75.7	202.1	40,000*	77.0	200.7	40,000*	60
	65	72.8	201.1	40,000*	74.2	200.6	40,000*	75.6	199.2	40,000*	65
	70	71.3	199.5	40,000*	72.7	198.9	40,000*	74.1	197.6	40,000*	70
	75	69.8	197.7	40,000*	71.2	197.1	40,000*	72.6	195.7	40,000*	75
	80	68.3	195.8	40,000*	69.7	195.2	40,000*	71.0	193.8	40,000*	80
	90	65.2	191.4	40,000*	66.6	190.9	40,000*	67.9	189.4	40,000*	90
	100	62.1	186.4	38,200	63.5	185.8	38,900	64.7	184.3	38,900*	100
	110	58.9	180.7	33,000	60.2	180.1	33,600	61.5	178.5	34,100	110
	120	55.5	174.2	28,800	56.8	173.6	29,300	58.1	172.0	29,700	120
	130	52.0	166.8	25,200	53.3	166.1	25,600	54.5	164.4	26,000	130
	140	48.3	158.4	22,200	49.6	157.7	22,600				140
	150	44.4	148.7	19,600	45.7	148.0	19,900				150
	160	40.2	137.6	17,400							160
170	35.6	124.7	15,400							170	
180	40	80.5	217.4	40,000*							40
	45	79.2	216.5	40,000*	80.5	216.0	40,000*				45
	50	77.8	215.5	40,000*	79.1	214.9	40,000*	80.5	213.6	40,000*	50
	55	76.4	214.3	40,000*	77.8	213.8	40,000*	79.1	212.4	40,000*	55
	60	75.0	213.0	40,000*	76.4	212.5	40,000*	77.7	211.1	40,000*	60
	65	73.6	211.6	40,000*	75.0	211.0	40,000*	76.3	209.7	40,000*	65
	70	72.2	210.0	40,000*	73.6	209.5	40,000*	74.8	208.1	40,000*	70
	75	70.8	208.3	40,000*	72.1	207.8	40,000*	73.4	206.4	40,000*	75
	80	69.4	206.5	40,000*	70.7	205.9	40,000*	72.0	204.5	40,000*	80
	90	66.5	202.4	40,000*	67.8	201.8	40,000*	69.0	200.4	40,000*	90
	100	63.5	197.7	37,600	64.8	197.1	38,300	66.0	195.6	39,000	100
	110	60.5	192.3	32,400	61.8	191.7	33,000	63.0	190.2	33,600	110
	120	57.3	186.2	28,200	58.6	185.6	28,700	59.8	184.0	29,200	120
	130	54.1	179.3	24,600	55.3	178.7	25,100	56.5	177.0	25,500	130
	140	50.7	171.6	21,600	51.9	170.9	22,000	53.0	169.2	22,400	140
	150	47.1	162.8	19,000	48.3	162.0	19,400				150
	160	43.3	152.7	16,800	44.5	152.0	17,100				160
170	39.2	141.2	14,800							170	
180	34.7	127.8	13,100							180	
190	45	79.7	226.7	40,000*							45
	50	78.3	225.7	40,000*	79.6	225.2	40,000*				50
	55	77.0	224.6	40,000*	78.3	224.1	40,000*	79.6	222.7	40,000*	55
	60	75.7	223.4	40,000*	77.0	222.8	40,000*	78.2	221.4	40,000*	60
	65	74.4	222.0	40,000*	75.7	221.5	40,000*	76.9	220.1	40,000*	65
	70	73.1	220.5	40,000*	74.3	220.0	40,000*	75.6	218.6	40,000*	70
	75	71.7	218.9	40,000*	73.0	218.4	40,000*	74.2	216.9	40,000*	75
	80	70.3	217.2	40,000*	71.6	216.6	40,000*	72.8	215.2	40,000*	80
	90	67.6	213.3	40,000*	68.9	212.7	40,000*	70.0	211.3	40,000*	90
	100	64.8	208.8	37,100	66.0	208.2	37,800	67.2	206.8	38,500	100
	110	61.9	203.7	31,900	63.2	203.2	32,500	64.3	201.6	33,100	110
	120	59.0	198.0	27,600	60.2	197.4	28,200	61.3	195.8	28,700	120
	130	55.9	191.6	24,100	57.1	190.9	24,600	58.2	189.3	25,000	130
	140	52.7	184.3	21,000	54.0	183.7	21,500	55.0	182.0	21,900	140
	150	49.4	176.2	18,500	50.6	175.5	18,800				150
	160	46.0	167.0	16,200	47.1	166.3	16,500				160
	170	42.3	156.6	14,200	43.4	155.8	14,500				170
180	38.3	144.7	12,500							180	
190	33.9	130.9	11,000							190	

LIFT CRANE JIB CAPACITIES

MEETS
ANSI B30.5
REQUIREMENTS

4100W SERIES 2

JIB NO. 123 WITH 12' 6" STRUT ON
BOOM NO. 22C WITH OPEN THROAT TOP
146,400 LB. CRANE COUNTERWEIGHT
60,000 LB. CARBODY COUNTERWEIGHT
26' 6" CRAWLERS EXTENDED

30 FOOT JIB

BOOM LGTH. FEET	JIB OPER. RAD. FEET	0 DEGREE OFFSET			10 DEGREE OFFSET			20 DEGREE OFFSET			JIB OPER. RAD. FEET
		BOOM ANG. DEG.	JIB POINT ELEV. FEET	CAPACITY POUNDS	BOOM ANG. DEG.	JIB POINT ELEV. FEET	CAPACITY POUNDS	BOOM ANG. DEG.	JIB POINT ELEV. FEET	CAPACITY POUNDS	
200	45	80.1	236.9	40,000*							45
	50	78.9	235.9	40,000*	80.1	235.4	40,000*				50
	55	77.6	234.8	40,000*	78.8	234.3	40,000*	80.0	232.9	40,000*	55
	60	76.3	233.7	40,000*	77.6	233.1	40,000*	78.8	231.7	40,000*	60
	65	75.1	232.4	40,000*	76.3	231.8	40,000*	77.5	230.4	40,000*	65
	70	73.8	231.0	40,000*	75.0	230.4	40,000*	76.2	229.0	40,000*	70
	75	72.5	229.4	40,000*	73.7	228.9	40,000*	74.9	227.5	40,000*	75
	80	71.2	227.8	40,000*	72.4	227.2	40,000*	73.6	225.8	40,000*	80
	90	68.6	224.1	40,000*	69.8	223.5	40,000*	71.0	222.1	40,000*	90
	100	65.9	219.8	36,500	67.1	219.3	37,200	68.3	217.8	38,000	100
	110	63.2	215.0	31,300	64.4	214.4	32,000	65.5	212.9	32,600	110
	120	60.4	209.6	27,000	61.6	209.0	27,600	62.7	207.5	28,200	120
	130	57.6	203.6	23,500	58.7	202.9	24,000	59.8	201.3	24,500	130
	140	54.6	196.8	20,400	55.8	196.1	20,900	56.8	194.5	21,300	140
	150	51.5	189.2	17,800	52.7	188.5	18,300	53.7	186.8	18,600	150
	160	48.3	180.7	15,600	49.4	180.0	16,000				160
	170	44.9	171.2	13,600	46.0	170.4	13,900				170
	180	41.3	160.4	11,900	42.4	159.6	12,200				180
	190	37.4	148.1	10,300							190
	200	33.1	133.9	8,900							200
210	45	80.5	247.0	40,000*							45
	50	79.3	246.1	40,000*	80.5	245.6	40,000*				50
	55	78.1	245.1	40,000*	79.3	244.5	40,000*	80.5	243.2	40,000*	55
	60	76.9	244.0	40,000*	78.1	243.4	40,000*	79.2	242.0	40,000*	60
	65	75.7	242.7	40,000*	76.9	242.2	40,000*	78.0	240.8	40,000*	65
	70	74.5	241.4	40,000*	75.7	240.8	40,000*	76.8	239.4	40,000*	70
	75	73.3	239.9	40,000*	74.4	239.4	40,000*	75.6	237.9	40,000*	75
	80	72.0	238.3	40,000*	73.2	237.8	40,000*	74.3	236.3	40,000*	80
	90	69.5	234.8	40,000*	70.7	234.2	40,000*	71.8	232.8	40,000*	90
	100	67.0	230.8	36,100	68.1	230.2	36,900	69.2	228.7	37,600	100
	110	64.4	226.2	30,900	65.6	225.6	31,600	66.6	224.1	32,200	110
	120	61.8	221.1	26,600	62.9	220.5	27,200	63.9	218.9	27,800	120
	130	59.0	215.3	23,100	60.2	214.7	23,600	61.2	213.1	24,100	130
	140	56.3	209.0	20,000	57.4	208.3	20,500	58.4	206.7	21,000	140
	150	53.4	201.9	17,400	54.5	201.2	17,900	55.5	199.5	18,300	150
	160	50.4	193.9	15,200	51.5	193.3	15,600	52.4	191.5	15,900	160
	170	47.2	185.1	13,200	48.3	184.4	13,600				170
	180	43.9	175.2	11,500	45.0	174.5	11,800				180
	190	40.4	164.1	9,900							190
	200	36.6	151.5	8,600							200
210	32.4	136.8	7,300							210	
220	50	79.7	256.3	40,000*							50
	55	78.6	255.3	40,000*	79.7	254.8	40,000*				55
	60	77.4	254.2	40,000*	78.6	253.7	40,000*	79.7	252.3	40,000*	60
	65	76.3	253.0	40,000*	77.4	252.5	40,000*	78.5	251.1	40,000*	65
	70	75.1	251.7	40,000*	76.2	251.2	40,000*	77.3	249.8	40,000*	70
	75	73.9	250.3	40,000*	75.1	249.8	40,000*	76.1	248.4	40,000*	75
	80	72.8	248.8	40,000*	73.9	248.3	40,000*	75.0	246.8	40,000*	80
	90	70.4	245.4	40,000*	71.5	244.9	40,000*	72.5	243.4	40,000*	90
	100	67.9	241.6	35,500	69.1	241.0	36,300	70.1	239.6	37,100	100
	110	65.5	237.3	30,300	66.6	236.7	31,000	67.6	235.2	31,700	110
	120	63.0	232.4	26,000	64.1	231.8	26,700	65.1	230.3	27,300	120
	130	60.4	226.9	22,500	61.5	226.3	23,100	62.5	224.8	23,600	130
	140	57.8	220.9	19,400	58.8	220.3	20,000	59.8	218.7	20,400	140
	150	55.0	214.2	16,900	56.1	213.6	17,300	57.1	211.9	17,700	150
	160	52.2	206.8	14,600	53.3	206.1	15,000	54.2	204.4	15,400	160
170	49.3	198.6	12,600	50.4	197.9	13,000				170	
180	46.2	189.4	10,900	47.3	188.7	11,200				180	
190	43.0	179.2	9,300	44.0	178.4	9,600				190	
200	39.6	167.7	8,000							200	
210	35.8	154.7	6,600*							210	

LIFT CRANE JIB CAPACITIES

MEETS
ANSI B30.5
REQUIREMENTS

4100W SERIES 2

JIB NO. 123 WITH 12' 6" STRUT ON
BOOM NO. 22C WITH OPEN THROAT TOP
146,400 LB. CRANE COUNTERWEIGHT
60,000 LB. CARBODY COUNTERWEIGHT
26' 6" CRAWLERS EXTENDED

30 FOOT JIB

BOOM LGTH. FEET	JIB OPER. RAD. FEET	0 DEGREE OFFSET			10 DEGREE OFFSET			20 DEGREE OFFSET			JIB OPER. RAD. FEET
		BOOM ANG. DEG.	JIB POINT ELEV. FEET	CAPACITY POUNDS	BOOM ANG. DEG.	JIB POINT ELEV. FEET	CAPACITY POUNDS	BOOM ANG. DEG.	JIB POINT ELEV. FEET	CAPACITY POUNDS	
230	50	80.1	266.4	40,000*							50
	55	79.0	265.5	40,000*	80.1	265.0	40,000*				55
	60	77.9	264.5	40,000*	79.0	263.9	40,000*	80.1	262.5	40,000*	60
	65	76.8	263.3	40,000*	77.9	262.8	40,000*	79.0	261.4	40,000*	65
	70	75.7	262.1	40,000*	76.8	261.5	40,000*	77.8	260.1	40,000*	70
	75	74.6	260.7	40,000*	75.6	260.2	40,000*	76.7	258.8	40,000*	75
	80	73.4	259.3	40,000*	74.5	258.7	40,000*	75.6	257.3	40,000*	80
	90	71.1	256.1	40,000*	72.2	255.5	40,000*	73.2	254.0	40,000*	90
	100	68.8	252.4	35,000	69.9	251.8	35,800	70.9	250.3	36,700	100
	110	66.5	248.2	29,800	67.5	247.6	30,500	68.5	246.1	31,300	110
	120	64.1	243.6	25,500	65.1	243.0	26,200	66.1	241.5	26,800	120
	130	61.6	238.4	21,900	62.7	237.8	22,500	63.6	236.2	23,100	130
	140	59.1	232.7	18,900	60.2	232.0	19,500	61.1	230.5	20,000	140
	150	56.5	226.3	16,300	57.6	225.7	16,800	58.5	224.1	17,200	150
	160	53.9	219.3	14,100	54.9	218.7	14,500	55.8	217.0	14,900	160
	170	51.1	211.6	12,100	52.2	210.9	12,500	53.1	209.2	12,800	170
	180	48.3	203.1	10,300	49.3	202.4	10,700				180
	190	45.3	193.6	8,800	46.3	192.9	9,100				190
	200	42.1	183.1	7,400*	43.1	182.3	7,700				200
	210	38.8	171.3	5,800*							210
	220	35.1	157.9	4,400*							220
	240	50	80.5	276.6	40,000*						
55		79.4	275.7	40,000*	80.5	275.1	40,000*				55
60		78.4	274.7	40,000*	79.4	274.1	40,000*	80.5	272.7	40,000*	60
65		77.3	273.6	40,000*	78.4	273.0	40,000*	79.4	271.6	40,000*	65
70		76.2	272.4	40,000*	77.3	271.8	40,000*	78.3	270.4	40,000*	70
75		75.1	271.1	40,000*	76.2	270.6	40,000*	77.2	269.1	40,000*	75
80		74.1	269.7	40,000*	75.1	269.2	40,000*	76.1	267.7	40,000*	80
90		71.9	266.6	40,000*	72.9	266.0	40,000*	73.9	264.6	40,000*	90
100		69.6	263.1	34,400	70.7	262.5	35,400	71.6	261.0	36,200	100
110		67.4	259.1	29,200	68.4	258.5	30,000	69.4	257.0	30,800	110
120		65.1	254.7	25,000	66.1	254.1	25,700	67.1	252.6	26,300	120
130		62.8	249.7	21,400	63.8	249.1	22,000	64.7	247.6	22,600	130
140		60.4	244.3	18,400	61.4	243.7	18,900	62.3	242.1	19,500	140
150		57.9	238.2	15,800	58.9	237.6	16,300	59.8	236.0	16,700	150
160		55.4	231.6	13,500	56.4	231.0	14,000	57.3	229.3	14,400	160
170	52.8	224.3	11,500	53.8	223.7	11,900	54.7	221.9	12,300	170	
180	50.1	216.3	9,800	51.1	215.6	10,200				180	
190	47.3	207.5	8,200	48.3	206.8	8,600				190	
200	44.4	197.7	6,600*	45.4	197.0	7,000*				200	
210	41.3	186.9	5,100*	42.3	186.1	5,400*				210	

LIFT CRANE JIB CAPACITIES

MEETS
ANSI B30.5
REQUIREMENTS

4100W SERIES 2

JIB NO. 123 WITH 12'6" STRUT ON
BOOM NO. 22C WITH OPEN THROAT TOP
146,400 LB. CRANE COUNTERWEIGHT
60,000 LB. CARBODY COUNTERWEIGHT
26'6" CRAWLERS EXTENDED

40 FOOT JIB

BOOM LGTH. FEET	JIB OPER. RAD. FEET	0 DEGREE OFFSET			10 DEGREE OFFSET			20 DEGREE OFFSET			JIB OPER. RAD. FEET
		BOOM ANG. DEG.	JIB POINT ELEV. FEET	CAPACITY POUNDS	BOOM ANG. DEG.	JIB POINT ELEV. FEET	CAPACITY POUNDS	BOOM ANG. DEG.	JIB POINT ELEV. FEET	CAPACITY POUNDS	
110	35	78.9	157.3	30,000*							35
	40	77.0	156.2	30,000*	79.5	155.5	30,000*				40
	45	75.1	154.9	30,000*	77.6	154.2	30,000*	80.0	152.6	30,000*	45
	50	73.1	153.4	30,000*	75.6	152.8	30,000*	78.0	151.1	30,000*	50
	55	71.2	151.8	30,000*	73.6	151.1	30,000*	76.0	149.4	30,000*	55
	60	69.2	149.9	30,000*	71.6	149.2	30,000*	74.0	147.5	30,000*	60
	65	67.2	147.8	30,000*	69.6	147.1	30,000*	72.0	145.4	30,000*	65
	70	65.1	145.6	30,000*	67.5	144.9	30,000*	69.9	143.1	30,000*	70
	75	63.0	143.1	30,000*	65.4	142.4	30,000*	67.7	140.6	30,000*	75
	80	60.9	140.3	30,000*	63.3	139.6	30,000*	65.6	137.8	29,200*	80
	90	56.5	134.1	30,000*	58.9	133.4	30,000*	61.1	131.5	27,200*	90
	100	51.9	126.7	30,000*	54.2	125.9	30,000*	56.3	123.9	25,600*	100
	110	46.9	118.0	30,000*	49.2	117.1	28,000*				110
120	41.5	107.5	29,600*	43.7	106.5	26,200*				120	
130	35.4	94.6	27,300*							130	
120	35	79.6	167.5	30,000*							35
	40	77.8	166.5	30,000*	80.2	165.8	30,000*				40
	45	76.0	165.2	30,000*	78.3	164.6	30,000*				45
	50	74.2	163.9	30,000*	76.5	163.2	30,000*	78.8	161.5	30,000*	50
	55	72.4	162.3	30,000*	74.7	161.6	30,000*	76.9	160.0	30,000*	55
	60	70.5	160.6	30,000*	72.8	159.9	30,000*	75.1	158.2	30,000*	60
	65	68.6	158.7	30,000*	70.9	158.0	30,000*	73.1	156.3	30,000*	65
	70	66.7	156.6	30,000*	69.0	155.9	30,000*	71.2	154.1	30,000*	70
	75	64.8	154.2	30,000*	67.1	153.5	30,000*	69.3	151.8	30,000*	75
	80	62.8	151.7	30,000*	65.1	151.0	30,000*	67.3	149.2	30,000*	80
	90	58.8	146.0	30,000*	61.0	145.3	30,000*	63.1	143.4	28,000*	90
	100	54.6	139.3	30,000*	56.8	138.5	30,000*	58.8	136.5	26,400*	100
	110	50.1	131.4	30,000*	52.3	130.6	29,300*	54.3	128.5	24,900*	110
120	45.3	122.2	30,000*	47.5	121.3	27,400*				120	
130	40.1	111.1	28,200	42.2	110.1	25,800*				130	
140	34.2	97.7	25,200							140	
130	35	80.2	177.7	30,000*							35
	40	78.5	176.7	30,000*							40
	45	76.8	175.6	30,000*	79.0	174.9	30,000*				45
	50	75.1	174.3	30,000*	77.3	173.6	30,000*	79.5	171.9	30,000*	50
	55	73.4	172.8	30,000*	75.6	172.1	30,000*	77.7	170.4	30,000*	55
	60	71.7	171.2	30,000*	73.9	170.5	30,000*	76.0	168.8	30,000*	60
	65	69.9	169.4	30,000*	72.1	168.7	30,000*	74.2	167.0	30,000*	65
	70	68.1	167.4	30,000*	70.3	166.7	30,000*	72.4	165.0	30,000*	70
	75	66.3	165.3	30,000*	68.5	164.6	30,000*	70.6	162.8	30,000*	75
	80	64.5	162.9	30,000*	66.7	162.2	30,000*	68.7	160.4	30,000*	80
	90	60.8	157.7	30,000*	62.9	156.9	30,000*	64.9	155.0	28,800*	90
	100	56.9	151.5	30,000*	59.0	150.7	30,000*	61.0	148.7	27,100*	100
	110	52.8	144.3	30,000*	54.9	143.5	30,000*	56.8	141.4	25,700*	110
120	48.5	136.0	30,000*	50.6	135.1	28,600*	52.4	132.9	24,400*	120	
130	43.9	126.2	27,800	45.9	125.3	26,900*				130	
140	38.9	114.7	24,800							140	
150	33.2	100.7	22,200							150	
140	40	79.2	186.9	30,000*							40
	45	77.6	185.8	30,000*	79.6	185.2	30,000*				45
	50	76.0	184.6	30,000*	78.0	183.9	30,000*	80.1	182.2	30,000*	50
	55	74.3	183.2	30,000*	76.4	182.6	30,000*	78.4	180.8	30,000*	55
	60	72.7	181.7	30,000*	74.8	181.0	30,000*	76.8	179.3	30,000*	60
	65	71.1	180.0	30,000*	73.1	179.3	30,000*	75.1	177.6	30,000*	65
	70	69.4	178.2	30,000*	71.4	177.5	30,000*	73.4	175.7	30,000*	70
	75	67.7	176.2	30,000*	69.8	175.5	30,000*	71.7	173.7	30,000*	75
	80	66.0	174.0	30,000*	68.0	173.3	30,000*	70.0	171.4	30,000*	80
	90	62.5	169.1	30,000*	64.5	168.3	30,000*	66.4	166.4	29,600*	90
	100	58.9	163.4	30,000*	60.9	162.6	30,000*	62.8	160.6	27,900*	100
	110	55.2	156.8	30,000*	57.2	155.9	30,000*	59.0	153.9	26,400*	110
	120	51.3	149.1	30,000*	53.2	148.3	29,700*	55.0	146.2	25,100*	120
130	47.1	140.4	27,100	49.0	139.4	27,600				130	
140	42.6	130.1	24,100	44.5	129.2	24,500				140	
150	37.8	118.1	21,500							150	
160	32.2	103.6	19,300							160	

LIFT CRANE JIB CAPACITIES

MEETS
ANSI B30.5
REQUIREMENTS

4100W SERIES 2

JIB NO. 123 WITH 12' 6" STRUT ON
BOOM NO. 22C WITH OPEN THROAT TOP
146,400 LB. CRANE COUNTERWEIGHT
60,000 LB. CARBODY COUNTERWEIGHT
26' 6" CRAWLERS EXTENDED

40 FOOT JIB

BOOM LGTH. FEET	JIB OPER. RAD. FEET	0 DEGREE OFFSET			10 DEGREE OFFSET			20 DEGREE OFFSET			JIB OPER. RAD. FEET
		BOOM ANG. DEG.	JIB POINT ELEV. FEET	CAPACITY POUNDS	BOOM ANG. DEG.	JIB POINT ELEV. FEET	CAPACITY POUNDS	BOOM ANG. DEG.	JIB POINT ELEV. FEET	CAPACITY POUNDS	
150	40	79.7	197.1	30,000*							40
	45	78.2	196.1	30,000*	80.2	195.4	30,000*				45
	50	76.7	194.9	30,000*	78.7	194.2	30,000*				50
	55	75.2	193.6	30,000*	77.1	192.9	30,000*	79.1	191.2	30,000*	55
	60	73.6	192.2	30,000*	75.6	191.5	30,000*	77.5	189.7	30,000*	60
	65	72.1	190.6	30,000*	74.0	189.9	30,000*	75.9	188.1	30,000*	65
	70	70.5	188.9	30,000*	72.5	188.2	30,000*	74.3	186.4	30,000*	70
	75	68.9	187.0	30,000*	70.9	186.3	30,000*	72.7	184.5	30,000*	75
	80	67.3	184.9	30,000*	69.3	184.2	30,000*	71.1	182.4	30,000*	80
	90	64.1	180.3	30,000*	66.0	179.6	30,000*	67.8	177.7	30,000*	90
	100	60.7	175.0	30,000*	62.6	174.2	30,000*	64.4	172.3	28,600*	100
	110	57.2	168.8	30,000*	59.1	168.0	30,000*	60.9	166.0	27,100*	110
	120	53.6	161.8	30,000*	55.5	161.0	30,000*	57.2	158.9	25,800*	120
	130	49.8	153.8	26,600	51.7	152.9	27,100	53.3	150.7	24,600*	130
	140	45.8	144.6	23,600	47.6	143.7	24,000				140
	150	41.5	133.9	21,000	43.2	132.9	21,300				150
160	36.7	121.4	18,700							160	
160	40	80.2	207.3	30,000*							40
	45	78.8	206.3	30,000*							45
	50	77.4	205.2	30,000*	79.2	204.5	30,000*				50
	55	75.9	204.0	30,000*	77.8	203.3	30,000*	79.6	201.5	30,000*	55
	60	74.5	202.6	30,000*	76.3	201.9	30,000*	78.1	200.1	30,000*	60
	65	73.0	201.1	30,000*	74.8	200.4	30,000*	76.7	198.6	30,000*	65
	70	71.5	199.5	30,000*	73.4	198.8	30,000*	75.2	197.0	30,000*	70
	75	70.0	197.7	30,000*	71.9	197.0	30,000*	73.6	195.1	30,000*	75
	80	68.5	195.7	30,000*	70.3	195.0	30,000*	72.1	193.2	30,000*	80
	90	65.4	191.4	30,000*	67.3	190.7	30,000*	69.0	188.8	30,000*	90
	100	62.3	186.4	30,000*	64.1	185.6	30,000*	65.8	183.7	29,200*	100
	110	59.0	180.7	30,000*	60.8	179.9	30,000*	62.5	177.9	27,700*	110
	120	55.7	174.2	29,500	57.5	173.3	30,000*	59.1	171.3	26,400*	120
	130	52.2	166.8	25,900	53.9	165.9	26,500	55.5	163.7	25,300*	130
	140	48.5	158.3	22,900	50.2	157.4	23,400				140
	150	44.6	148.7	20,300	46.3	147.7	20,700				150
160	40.4	137.6	18,100	42.1	136.6	18,400				160	
170	35.8	124.7	16,100							170	
170	45	79.3	216.5	30,000*							45
	50	78.0	215.5	30,000*	79.8	214.8	30,000*				50
	55	76.6	214.3	30,000*	78.4	213.6	30,000*	80.1	211.8	30,000*	55
	60	75.2	213.0	30,000*	77.0	212.3	30,000*	78.7	210.5	30,000*	60
	65	73.8	211.6	30,000*	75.6	210.9	30,000*	77.3	209.1	30,000*	65
	70	72.4	210.0	30,000*	74.2	209.3	30,000*	75.9	207.5	30,000*	70
	75	71.0	208.3	30,000*	72.7	207.6	30,000*	74.4	205.8	30,000*	75
	80	69.6	206.5	30,000*	71.3	205.7	30,000*	73.0	203.9	30,000*	80
	90	66.7	202.4	30,000*	68.4	201.6	30,000*	70.1	199.8	30,000*	90
	100	63.7	197.7	30,000*	65.4	196.9	30,000*	67.1	195.0	29,900*	100
	110	60.6	192.3	30,000*	62.4	191.5	30,000*	64.0	189.5	28,400*	110
	120	57.5	186.2	29,100	59.2	185.4	29,800	60.8	183.3	27,000*	120
	130	54.2	179.3	25,600	55.9	178.5	26,100	57.5	176.3	25,900*	130
	140	50.8	171.5	22,500	52.5	170.6	23,000	54.0	168.4	23,500	140
	150	47.3	162.7	20,000	48.9	161.8	20,400				150
	160	43.5	152.7	17,700	45.1	151.7	18,100				160
170	39.4	141.2	15,700							170	
180	34.9	127.8	14,000							180	

LIFT CRANE JIB CAPACITIES

MEETS
ANSI B30.5
REQUIREMENTS

4100W SERIES 2

JIB NO. 123 WITH 12' 6" STRUT ON
BOOM NO. 22C WITH OPEN THROAT TOP
146,400 LB. CRANE COUNTERWEIGHT
60,000 LB. CARBODY COUNTERWEIGHT
26' 6" CRAWLERS EXTENDED

40 FOOT JIB

BOOM LGTH. FEET	JIB OPER. RAD. FEET	0 DEGREE OFFSET			10 DEGREE OFFSET			20 DEGREE OFFSET			JIB OPER. RAD. FEET
		BOOM ANG. DEG.	JIB POINT ELEV. FEET	CAPACITY POUNDS	BOOM ANG. DEG.	JIB POINT ELEV. FEET	CAPACITY POUNDS	BOOM ANG. DEG.	JIB POINT ELEV. FEET	CAPACITY POUNDS	
180	45	79.8	226.7	30,000*							45
	50	78.5	225.7	30,000*	80.2	225.0	30,000*				50
	55	77.2	224.6	30,000*	78.9	223.9	30,000*	80.6	222.1	30,000*	55
	60	75.9	223.3	30,000*	77.6	222.6	30,000*	79.2	220.8	30,000*	60
	65	74.6	222.0	30,000*	76.2	221.3	30,000*	77.9	219.5	30,000*	65
	70	73.2	220.5	30,000*	74.9	219.8	30,000*	76.5	218.0	30,000*	70
	75	71.9	218.9	30,000*	73.6	218.2	30,000*	75.2	216.3	30,000*	75
	80	70.5	217.1	30,000*	72.2	216.4	30,000*	73.8	214.6	30,000*	80
	90	67.8	213.3	30,000*	69.4	212.5	30,000*	71.0	210.6	30,000*	90
	100	65.0	208.8	30,000*	66.6	208.0	30,000*	68.2	206.1	30,000*	100
	110	62.1	203.7	30,000*	63.7	202.9	30,000*	65.3	201.0	28,900*	110
	120	59.1	198.0	28,500	60.8	197.2	29,200	62.3	195.2	27,600*	120
	130	56.1	191.6	25,000	57.7	190.7	25,600	59.2	188.6	26,100	130
	140	52.9	184.3	21,900	54.5	183.4	22,500	55.9	181.3	23,000	140
	150	49.6	176.2	19,300	51.2	175.3	19,800	52.6	173.0	20,200	150
	160	46.1	167.0	17,100	47.7	166.0	17,500				160
170	42.4	156.6	15,100	44.0	155.6	15,500				170	
180	38.4	144.7	13,400							180	
190	34.1	130.9	11,800							190	
190	45	80.3	236.8	30,000*							45
	50	79.0	235.9	30,000*	80.6	235.2	30,000*				50
	55	77.8	234.8	30,000*	79.4	234.1	30,000*				55
	60	76.5	233.7	30,000*	78.1	232.9	30,000*	79.7	231.1	30,000*	60
	65	75.2	232.4	30,000*	76.9	231.6	30,000*	78.4	229.8	30,000*	65
	70	74.0	230.9	30,000*	75.6	230.2	30,000*	77.2	228.4	30,000*	70
	75	72.7	229.4	30,000*	74.3	228.7	30,000*	75.9	226.8	30,000*	75
	80	71.4	227.8	30,000*	73.0	227.0	30,000*	74.5	225.2	30,000*	80
	90	68.8	224.1	30,000*	70.4	223.3	30,000*	71.9	221.4	30,000*	90
	100	66.1	219.8	30,000*	67.7	219.1	30,000*	69.2	217.1	30,000*	100
	110	63.4	215.0	30,000*	65.0	214.2	30,000*	66.4	212.3	29,500*	110
	120	60.6	209.6	28,000	62.2	208.8	28,700	63.6	206.8	28,200*	120
	130	57.7	203.6	24,400	59.3	202.7	25,100	60.7	200.6	25,700	130
	140	54.7	196.8	21,400	56.3	195.9	22,000	57.7	193.8	22,500	140
	150	51.7	189.2	18,800	53.2	188.3	19,300	54.6	186.0	19,800	150
	160	48.4	180.7	16,500	50.0	179.8	17,000				160
170	45.1	171.2	14,600	46.6	170.2	15,000				170	
180	41.5	160.4	12,800	42.9	159.3	13,200				180	
190	37.6	148.1	11,300							190	
200	33.3	133.9	9,900							200	
200	45	80.7	247.0	30,000*							45
	50	79.5	246.1	30,000*							50
	55	78.3	245.1	30,000*	79.8	244.3	30,000*				55
	60	77.1	243.9	30,000*	78.6	243.2	30,000*	80.2	241.4	30,000*	60
	65	75.9	242.7	30,000*	77.4	242.0	30,000*	78.9	240.2	30,000*	65
	70	74.6	241.4	30,000*	76.2	240.6	30,000*	77.7	238.8	30,000*	70
	75	73.4	239.9	30,000*	75.0	239.1	30,000*	76.5	237.3	30,000*	75
	80	72.2	238.3	30,000*	73.7	237.6	30,000*	75.2	235.7	30,000*	80
	90	69.7	234.8	30,000*	71.2	234.0	30,000*	72.7	232.1	30,000*	90
	100	67.1	230.7	30,000*	68.7	230.0	30,000*	70.1	228.1	30,000*	100
	110	64.6	226.2	30,000*	66.1	225.4	30,000*	67.5	223.4	30,000*	110
	120	61.9	221.1	27,400	63.4	220.3	28,100	64.8	218.2	28,700*	120
	130	59.2	215.3	23,800	60.7	214.5	24,500	62.1	212.4	25,100	130
	140	56.4	208.9	20,800	57.9	208.1	21,400	59.2	206.0	22,000	140
	150	53.5	201.8	18,200	55.0	201.0	18,700	56.3	198.7	19,200	150
	160	50.5	193.9	15,900	52.0	193.0	16,400	53.3	190.7	16,800	160
170	47.4	185.1	13,900	48.8	184.1	14,400				170	
180	44.1	175.2	12,200	45.5	174.2	12,600				180	
190	40.5	164.1	10,600							190	
200	36.7	151.4	9,300							200	
210	32.6	136.8	8,000							210	

LIFT CRANE JIB CAPACITIES

MEETS
ANSI B30.5
REQUIREMENTS

4100W SERIES 2

JIB NO. 123 WITH 12' 6" STRUT ON
BOOM NO. 22C WITH OPEN THROAT TOP
146,400 LB. CRANE COUNTERWEIGHT
60,000 LB. CARBODY COUNTERWEIGHT
26' 6" CRAWLERS EXTENDED

40 FOOT JIB

BOOM LGTH. FEET	JIB OPER. RAD. FEET	0 DEGREE OFFSET			10 DEGREE OFFSET			20 DEGREE OFFSET			JIB OPER. RAD. FEET
		BOOM ANG. DEG.	JIB POINT ELEV. FEET	CAPACITY POUNDS	BOOM ANG. DEG.	JIB POINT ELEV. FEET	CAPACITY POUNDS	BOOM ANG. DEG.	JIB POINT ELEV. FEET	CAPACITY POUNDS	
210	50	79.9	256.3	30,000*							50
	55	78.7	255.3	30,000*	80.2	254.6	30,000*				55
	60	77.6	254.2	30,000*	79.1	253.5	30,000*	80.6	251.7	30,000*	60
	65	76.4	253.0	30,000*	77.9	252.3	30,000*	79.4	250.5	30,000*	65
	70	75.3	251.7	30,000*	76.7	251.0	30,000*	78.2	249.2	30,000*	70
	75	74.1	250.3	30,000*	75.6	249.6	30,000*	77.0	247.7	30,000*	75
	80	72.9	248.8	30,000*	74.4	248.1	30,000*	75.8	246.2	30,000*	80
	90	70.5	245.4	30,000*	72.0	244.7	30,000*	73.4	242.8	30,000*	90
	100	68.1	241.6	30,000*	69.6	240.8	30,000*	71.0	238.9	30,000*	100
	110	65.6	237.2	30,000*	67.1	236.5	30,000*	68.5	234.5	30,000*	110
	120	63.1	232.4	27,000	64.6	231.6	27,800	65.9	229.6	28,500	120
	130	60.5	226.9	23,400	62.0	226.1	24,100	63.3	224.1	24,800	130
	140	57.9	220.9	20,400	59.3	220.0	21,000	60.6	217.9	21,600	140
	150	55.2	214.2	17,800	56.6	213.3	18,300	57.9	211.1	18,900	150
	160	52.4	206.8	15,500	53.8	205.9	16,000	55.0	203.6	16,500	160
	170	49.4	198.5	13,500	50.8	197.6	14,000				170
	180	46.4	189.4	11,800	47.8	188.4	12,200				180
	190	43.1	179.2	10,200	44.5	178.1	10,600				190
	200	39.7	167.7	8,900							200
	210	36.0	154.7	7,600							210
	220	50	80.3	266.4	30,000*						
55		79.2	265.5	30,000*	80.6	264.8	30,000*				55
60		78.1	264.4	30,000*	79.5	263.7	30,000*				60
65		76.9	263.3	30,000*	78.4	262.6	30,000*	79.8	260.7	30,000*	65
70		75.8	262.1	30,000*	77.3	261.3	30,000*	78.7	259.5	30,000*	70
75		74.7	260.7	30,000*	76.1	260.0	30,000*	77.5	258.1	30,000*	75
80		73.6	259.3	30,000*	75.0	258.5	30,000*	76.4	256.7	30,000*	80
90		71.3	256.0	30,000*	72.7	255.3	30,000*	74.1	253.4	30,000*	90
100		69.0	252.4	30,000*	70.4	251.6	30,000*	71.7	249.7	30,000*	100
110		66.6	248.2	30,000*	68.0	247.4	30,000*	69.4	245.5	30,000*	110
120		64.2	243.6	26,400	65.6	242.8	27,200	66.9	240.8	28,000	120
130		61.8	238.4	22,800	63.2	237.6	23,600	64.4	235.5	24,300	130
140		59.3	232.7	19,800	60.6	231.8	20,500	61.9	229.7	21,100	140
150		56.7	226.3	17,200	58.1	225.5	17,800	59.3	223.3	18,400	150
160	54.0	219.3	14,900	55.4	218.4	15,500	56.6	216.2	16,000	160	
170	51.3	211.6	12,900	52.6	210.7	13,400	53.8	208.4	13,900	170	
180	48.4	203.1	11,200	49.8	202.1	11,600				180	
190	45.4	193.6	9,600	46.7	192.6	10,000				190	
200	42.3	183.1	8,300	43.6	182.0	8,600				200	
210	38.9	171.3	7,000*							210	
220	35.3	157.9	5,600*							220	
230	50	80.6	276.6	30,000*							50
	55	79.6	275.7	30,000*							55
	60	78.5	274.7	30,000*	79.9	273.9	30,000*				60
	65	77.4	273.6	30,000*	78.8	272.8	30,000*	80.2	271.0	30,000*	65
	70	76.4	272.4	30,000*	77.7	271.6	30,000*	79.1	269.8	30,000*	70
	75	75.3	271.1	30,000*	76.7	270.3	30,000*	78.0	268.5	30,000*	75
	80	74.2	269.7	30,000*	75.6	268.9	30,000*	76.9	267.1	30,000*	80
	90	72.0	266.6	30,000*	73.4	265.8	30,000*	74.7	263.9	30,000*	90
	100	69.8	263.1	30,000*	71.1	262.3	30,000*	72.4	260.4	30,000*	100
	110	67.5	259.1	30,000*	68.9	258.3	30,000*	70.2	256.4	30,000*	110
	120	65.2	254.6	25,800	66.6	253.8	26,700	67.8	251.9	27,600	120
	130	62.9	249.7	22,300	64.2	248.9	23,100	65.5	246.9	23,800	130
	140	60.5	244.3	19,200	61.8	243.4	20,000	63.1	241.3	20,600	140
	150	58.1	238.2	16,600	59.4	237.4	17,300	60.6	235.3	17,900	150
160	55.5	231.6	14,400	56.9	230.7	15,000	58.0	228.5	15,500	160	
170	52.9	224.3	12,400	54.3	223.4	12,900	55.4	221.1	13,400	170	
180	50.3	216.3	10,600	51.6	215.4	11,100	52.7	213.0	11,500	180	
190	47.5	207.5	9,100	48.8	206.5	9,500				190	
200	44.5	197.7	7,700	45.8	196.7	8,100				200	
210	41.4	186.9	6,200*	42.7	185.8	6,700*				210	
220	38.1	174.7	4,800*							220	

LIFT CRANE JIB CAPACITIES

MEETS
ANSI B30.5
REQUIREMENTS

4100W SERIES 2

JIB NO. 123 WITH 12' 6" STRUT ON
BOOM NO. 22C WITH OPEN THROAT TOP
146,400 LB. CRANE COUNTERWEIGHT
60,000 LB. CARBODY COUNTERWEIGHT
26' 6" CRAWLERS EXTENDED

40 FOOT JIB

BOOM LGTH. FEET	JIB OPER. RAD. FEET	0 DEGREE OFFSET			10 DEGREE OFFSET			20 DEGREE OFFSET			JIB OPER. RAD. FEET
		BOOM ANG. DEG.	JIB POINT ELEV. FEET	CAPACITY POUNDS	BOOM ANG. DEG.	JIB POINT ELEV. FEET	CAPACITY POUNDS	BOOM ANG. DEG.	JIB POINT ELEV. FEET	CAPACITY POUNDS	
240	55	79.9	285.8	30,000*							55
	60	78.9	284.9	30,000*	80.3	284.1	30,000*				60
	65	77.9	283.8	30,000*	79.2	283.1	30,000*	80.5	281.2	30,000*	65
	70	76.8	282.7	30,000*	78.2	281.9	30,000*	79.5	280.1	30,000*	70
	75	75.8	281.4	30,000*	77.1	280.7	30,000*	78.4	278.8	30,000*	75
	80	74.8	280.1	30,000*	76.1	279.3	30,000*	77.4	277.5	30,000*	80
	90	72.6	277.1	30,000*	74.0	276.3	30,000*	75.3	274.4	30,000*	90
	100	70.5	273.7	30,000*	71.8	272.9	30,000*	73.1	271.0	30,000*	100
	110	68.4	269.9	29,600	69.7	269.1	30,000*	70.9	267.2	30,000*	110
	120	66.2	265.6	25,300	67.5	264.9	26,200	68.7	262.9	27,100	120
	130	63.9	260.9	21,700	65.2	260.1	22,600	66.4	258.1	23,300	130
	140	61.6	255.7	18,700	62.9	254.9	19,400	64.1	252.8	20,100	140
	150	59.3	250.0	16,100	60.6	249.1	16,800	61.8	247.0	17,400	150
	160	56.9	243.7	13,800	58.2	242.8	14,400	59.4	240.6	15,000	160
	170	54.5	236.8	11,800	55.7	235.9	12,400	56.9	233.6	12,900	170
	180	51.9	229.2	10,100	53.2	228.3	10,600	54.3	226.0	11,000	180
	190	49.3	220.9	8,500	50.5	219.9	9,000				190
	200	46.6	211.8	7,000*	47.8	210.8	7,600*				200
210	43.7	201.7	5,400*	44.9	200.7	5,900*				210	
220	40.7	190.6	4,000*							220	

LIFT CRANE JIB CAPACITIES

MEETS
ANSI B30.5
REQUIREMENTS

4100W SERIES 2

JIB NO. 123 WITH 12' 6" STRUT ON
BOOM NO. 22C WITH OPEN THROAT TOP
146,400 LB. CRANE COUNTERWEIGHT
60,000 LB. CARBODY COUNTERWEIGHT
26' 6" CRAWLERS EXTENDED

50 FOOT JIB

BOOM LGTH. FEET	JIB OPER. RAD. FEET	0 DEGREE OFFSET			10 DEGREE OFFSET			20 DEGREE OFFSET			JIB OPER. RAD. FEET
		BOOM ANG. DEG.	JIB POINT ELEV. FEET	CAPACITY POUNDS	BOOM ANG. DEG.	JIB POINT ELEV. FEET	CAPACITY POUNDS	BOOM ANG. DEG.	JIB POINT ELEV. FEET	CAPACITY POUNDS	
110	35	79.9	167.7	20,000*							35
	40	78.1	166.7	20,000*							40
	45	76.3	165.5	20,000*	79.2	164.8	20,000*				45
	50	74.5	164.1	20,000*	77.4	163.4	20,000*	80.3	161.6	20,000*	50
	55	72.7	162.6	20,000*	75.6	161.9	20,000*	78.4	160.1	20,000*	55
	60	70.8	160.9	20,000*	73.7	160.2	20,000*	76.6	158.3	20,000*	60
	65	68.9	159.0	20,000*	71.8	158.3	20,000*	74.7	156.4	20,000*	65
	70	67.0	157.0	20,000*	69.9	156.2	20,000*	72.7	154.3	20,000*	70
	75	65.1	154.7	20,000*	68.0	154.0	20,000*	70.8	152.0	20,000*	75
	80	63.1	152.2	20,000*	66.0	151.5	20,000*	68.8	149.5	20,000*	80
	90	59.1	146.6	20,000*	62.0	145.8	20,000*	64.7	143.7	20,000*	90
	100	54.9	140.0	20,000*	57.7	139.2	20,000*	60.4	137.0	20,000*	100
	110	50.5	132.2	20,000*	53.3	131.4	20,000*	55.8	129.0	20,000*	110
	120	45.7	123.1	20,000*	48.5	122.2	20,000*				120
130	40.6	112.3	20,000*	43.3	111.2	20,000*				130	
140	34.8	99.1	20,000*							140	
120	35	80.5	177.9	20,000*							35
	40	78.8	176.9	20,000*							40
	45	77.1	175.8	20,000*	79.9	175.1	20,000*				45
	50	75.4	174.5	20,000*	78.2	173.8	20,000*	80.9	171.9	20,000*	50
	55	73.7	173.1	20,000*	76.4	172.4	20,000*	79.1	170.5	20,000*	55
	60	71.9	171.5	20,000*	74.7	170.8	20,000*	77.4	168.9	20,000*	60
	65	70.2	169.7	20,000*	72.9	169.0	20,000*	75.6	167.1	20,000*	65
	70	68.4	167.8	20,000*	71.2	167.1	20,000*	73.8	165.1	20,000*	70
	75	66.6	165.7	20,000*	69.4	164.9	20,000*	72.0	163.0	20,000*	75
	80	64.8	163.4	20,000*	67.5	162.6	20,000*	70.1	160.6	20,000*	80
	90	61.1	158.2	20,000*	63.8	157.4	20,000*	66.3	155.3	20,000*	90
	100	57.2	152.1	20,000*	59.9	151.3	20,000*	62.4	149.1	20,000*	100
	110	53.2	145.0	20,000*	55.8	144.2	20,000*	58.3	141.9	20,000*	110
	120	48.9	136.8	20,000*	51.5	135.9	20,000*	53.9	133.5	19,500*	120
130	44.3	127.2	20,000*	46.9	126.2	20,000*				130	
140	39.3	115.9	20,000*	41.9	114.7	20,000*				140	
150	33.7	102.1	20,000*							150	
130	40	79.4	187.1	20,000*							40
	45	77.8	186.0	20,000*	80.4	185.3	20,000*				45
	50	76.2	184.9	20,000*	78.8	184.1	20,000*				50
	55	74.6	183.5	20,000*	77.2	182.8	20,000*	79.8	180.9	20,000*	55
	60	73.0	182.0	20,000*	75.6	181.3	20,000*	78.1	179.3	20,000*	60
	65	71.3	180.4	20,000*	73.9	179.6	20,000*	76.4	177.7	20,000*	65
	70	69.7	178.6	20,000*	72.2	177.8	20,000*	74.8	175.8	20,000*	70
	75	68.0	176.6	20,000*	70.6	175.8	20,000*	73.0	173.8	20,000*	75
	80	66.3	174.4	20,000*	68.8	173.6	20,000*	71.3	171.6	20,000*	80
	90	62.8	169.6	20,000*	65.4	168.8	20,000*	67.8	166.7	20,000*	90
	100	59.2	163.9	20,000*	61.8	163.1	20,000*	64.1	160.9	20,000*	100
	110	55.5	157.4	20,000*	58.0	156.5	20,000*	60.3	154.3	20,000*	110
	120	51.6	149.9	20,000*	54.1	149.0	20,000*	56.3	146.6	20,000*	120
	130	47.5	141.2	20,000*	49.9	140.3	20,000*	52.1	137.7	19,100*	130
140	43.0	131.2	20,000*	45.4	130.1	20,000*				140	
150	38.2	119.3	20,000*							150	
160	32.7	105.1	20,000*							160	
140	40	80.0	197.3	20,000*							40
	45	78.5	196.3	20,000*	80.9	195.5	20,000*				45
	50	76.9	195.2	20,000*	79.4	194.4	20,000*				50
	55	75.4	193.9	20,000*	77.9	193.1	20,000*	80.3	191.2	20,000*	55
	60	73.9	192.5	20,000*	76.3	191.7	20,000*	78.8	189.8	20,000*	60
	65	72.3	190.9	20,000*	74.8	190.2	20,000*	77.2	188.2	20,000*	65
	70	70.8	189.2	20,000*	73.2	188.4	20,000*	75.6	186.4	20,000*	70
	75	69.2	187.3	20,000*	71.6	186.6	20,000*	74.0	184.5	20,000*	75
	80	67.6	185.3	20,000*	70.0	184.5	20,000*	72.4	182.5	20,000*	80
	90	64.3	180.8	20,000*	66.7	180.0	20,000*	69.1	177.9	20,000*	90
	100	61.0	175.5	20,000*	63.4	174.7	20,000*	65.7	172.5	20,000*	100
	110	57.5	169.5	20,000*	59.9	168.6	20,000*	62.1	166.3	20,000*	110
	120	53.9	162.5	20,000*	56.3	161.6	20,000*	58.5	159.3	20,000*	120
	130	50.1	154.6	20,000*	52.5	153.7	20,000*	54.6	151.2	19,700*	130
140	46.1	145.5	20,000*	48.5	144.5	20,000*				140	
150	41.8	135.0	20,000*	44.1	133.9	20,000*				150	
160	37.1	122.7	19,500							160	
170	31.8	107.9	17,600							170	

LIFT CRANE JIB CAPACITIES

MEETS
ANSI B30.5
REQUIREMENTS

4100W SERIES 2

JIB NO. 123 WITH 12' 6" STRUT ON
BOOM NO. 22C WITH OPEN THROAT TOP
146,400 LB. CRANE COUNTERWEIGHT
60,000 LB. CARBODY COUNTERWEIGHT
26' 6" CRAWLERS EXTENDED

50 FOOT JIB

BOOM LGTH. FEET	JIB OPER. RAD. FEET	0 DEGREE OFFSET			10 DEGREE OFFSET			20 DEGREE OFFSET			JIB OPER. RAD. FEET
		BOOM ANG. DEG.	JIB POINT ELEV. FEET	CAPACITY POUNDS	BOOM ANG. DEG.	JIB POINT ELEV. FEET	CAPACITY POUNDS	BOOM ANG. DEG.	JIB POINT ELEV. FEET	CAPACITY POUNDS	
150	40	80.5	207.4	20,000*							40
	45	79.0	206.5	20,000*							45
	50	77.6	205.4	20,000*	79.9	204.7	20,000*				50
	55	76.1	204.2	20,000*	78.5	203.5	20,000*	80.8	201.5	20,000*	55
	60	74.7	202.9	20,000*	77.0	202.1	20,000*	79.3	200.1	20,000*	60
	65	73.2	201.4	20,000*	75.6	200.6	20,000*	77.9	198.6	20,000*	65
	70	71.7	199.8	20,000*	74.1	199.0	20,000*	76.4	197.0	20,000*	70
	75	70.2	198.0	20,000*	72.6	197.3	20,000*	74.8	195.2	20,000*	75
	80	68.7	196.1	20,000*	71.1	195.3	20,000*	73.3	193.3	20,000*	80
	90	65.7	191.8	20,000*	68.0	191.0	20,000*	70.2	188.9	20,000*	90
	100	62.5	186.9	20,000*	64.8	186.1	20,000*	67.0	183.9	20,000*	100
	110	59.3	181.2	20,000*	61.6	180.4	20,000*	63.7	178.1	20,000*	110
	120	56.0	174.8	20,000*	58.2	173.9	20,000*	60.3	171.6	20,000*	120
	130	52.5	167.5	20,000*	54.7	166.6	20,000*	56.7	164.1	20,000*	130
140	48.8	159.2	20,000*	51.0	158.2	20,000*	53.0	155.6	19,300*	140	
150	44.9	149.7	20,000*	47.1	148.6	20,000*				150	
160	40.7	138.7	19,000	42.9	137.6	19,400				160	
170	36.2	126.0	17,000							170	
160	40	80.9	217.6	20,000*							40
	45	79.6	216.7	20,000*							45
	50	78.2	215.7	20,000*	80.4	214.9	20,000*				50
	55	76.8	214.5	20,000*	79.0	213.8	20,000*				55
	60	75.4	213.3	20,000*	77.7	212.5	20,000*	79.9	210.5	20,000*	60
	65	74.0	211.9	20,000*	76.3	211.1	20,000*	78.4	209.0	20,000*	65
	70	72.6	210.3	20,000*	74.8	209.5	20,000*	77.0	207.5	20,000*	70
	75	71.2	208.6	20,000*	73.4	207.9	20,000*	75.6	205.8	20,000*	75
	80	69.8	206.8	20,000*	72.0	206.0	20,000*	74.1	204.0	20,000*	80
	90	66.9	202.8	20,000*	69.1	202.0	20,000*	71.2	199.9	20,000*	90
	100	63.9	198.1	20,000*	66.1	197.3	20,000*	68.2	195.1	20,000*	100
	110	60.9	192.8	20,000*	63.1	192.0	20,000*	65.1	189.7	20,000*	110
	120	57.8	186.8	20,000*	59.9	185.9	20,000*	61.9	183.6	20,000*	120
	130	54.5	180.0	20,000*	56.7	179.1	20,000*	58.6	176.7	20,000*	130
140	51.1	172.3	20,000*	53.2	171.3	20,000*	55.2	168.8	19,800*	140	
150	47.6	163.6	20,000*	49.7	162.6	20,000*				150	
160	43.8	153.7	18,300	45.9	152.6	18,800				160	
170	39.7	142.4	16,400	41.8	141.2	16,700				170	
180	35.3	129.1	14,600							180	
170	45	80.0	226.9	20,000*							45
	50	78.7	225.9	20,000*	80.9	225.1	20,000*				50
	55	77.4	224.8	20,000*	79.5	224.0	20,000*				55
	60	76.1	223.6	20,000*	78.2	222.8	20,000*	80.3	220.8	20,000*	60
	65	74.8	222.3	20,000*	76.9	221.5	20,000*	79.0	219.4	20,000*	65
	70	73.4	220.8	20,000*	75.6	220.0	20,000*	77.6	217.9	20,000*	70
	75	72.1	219.2	20,000*	74.2	218.4	20,000*	76.3	216.3	20,000*	75
	80	70.7	217.5	20,000*	72.8	216.7	20,000*	74.9	214.6	20,000*	80
	90	68.0	213.7	20,000*	70.1	212.8	20,000*	72.1	210.7	20,000*	90
	100	65.2	209.2	20,000*	67.3	208.4	20,000*	69.3	206.2	20,000*	100
	110	62.3	204.2	20,000*	64.4	203.4	20,000*	66.4	201.1	20,000*	110
	120	59.4	198.6	20,000*	61.4	197.7	20,000*	63.4	195.4	20,000*	120
	130	56.3	192.2	20,000*	58.4	191.3	20,000*	60.3	188.9	20,000*	130
	140	53.2	185.0	20,000*	55.2	184.1	20,000*	57.1	181.6	20,000*	140
150	49.9	177.0	20,000*	51.9	176.0	20,000*	53.7	173.4	19,500*	150	
160	46.4	167.9	17,900	48.4	166.9	18,400				160	
170	42.7	157.6	16,000	44.7	156.5	16,400				170	
180	38.8	145.9	14,200							180	
190	34.4	132.3	12,700							190	

LIFT CRANE JIB CAPACITIES

MEETS
ANSI B30.5
REQUIREMENTS

4100W SERIES 2

JIB NO. 123 WITH 12' 6" STRUT ON
BOOM NO. 22C WITH OPEN THROAT TOP
146,400 LB. CRANE COUNTERWEIGHT
60,000 LB. CARBODY COUNTERWEIGHT
26' 6" CRAWLERS EXTENDED

50 FOOT JIB

BOOM LGTH. FEET	JIB OPER. RAD. FEET	0 DEGREE OFFSET			10 DEGREE OFFSET			20 DEGREE OFFSET			JIB OPER. RAD. FEET
		BOOM ANG. DEG.	JIB POINT ELEV. FEET	CAPACITY POUNDS	BOOM ANG. DEG.	JIB POINT ELEV. FEET	CAPACITY POUNDS	BOOM ANG. DEG.	JIB POINT ELEV. FEET	CAPACITY POUNDS	
180	45	80.5	237.0	20,000*							45
	50	79.2	236.1	20,000*							50
	55	78.0	235.0	20,000*	80.0	234.3	20,000*				55
	60	76.7	233.9	20,000*	78.7	233.1	20,000*	80.8	231.0	20,000*	60
	65	75.4	232.6	20,000*	77.5	231.8	20,000*	79.5	229.8	20,000*	65
	70	74.2	231.2	20,000*	76.2	230.4	20,000*	78.2	228.4	20,000*	70
	75	72.9	229.7	20,000*	74.9	228.9	20,000*	76.9	226.8	20,000*	75
	80	71.6	228.1	20,000*	73.6	227.3	20,000*	75.6	225.2	20,000*	80
	90	69.0	224.4	20,000*	71.0	223.6	20,000*	72.9	221.5	20,000*	90
	100	66.3	220.2	20,000*	68.3	219.4	20,000*	70.2	217.2	20,000*	100
	110	63.6	215.5	20,000*	65.6	214.6	20,000*	67.5	212.4	20,000*	110
	120	60.8	210.1	20,000*	62.8	209.3	20,000*	64.7	207.0	20,000*	120
	130	57.9	204.1	20,000*	59.9	203.2	20,000*	61.7	200.9	20,000*	130
	140	55.0	197.4	20,000*	57.0	196.5	20,000*	58.7	194.0	20,000*	140
	150	51.9	189.9	19,600	53.9	189.0	20,000*	55.6	186.4	19,900*	150
	160	48.7	181.5	17,300	50.6	180.5	17,900	52.3	177.8	18,300	160
	170	45.3	172.1	15,300	47.3	171.0	15,800				170
	180	41.8	161.5	13,600	43.6	160.3	14,000				180
	190	37.9	149.3	12,100							190
	200	33.7	135.3	10,700							200
190	45	80.9	247.2	20,000*							45
	50	79.7	246.3	20,000*							50
	55	78.5	245.3	20,000*	80.4	244.5	20,000*				55
	60	77.3	244.2	20,000*	79.2	243.4	20,000*				60
	65	76.0	243.0	20,000*	78.0	242.2	20,000*	79.9	240.1	20,000*	65
	70	74.8	241.6	20,000*	76.8	240.8	20,000*	78.7	238.7	20,000*	70
	75	73.6	240.2	20,000*	75.6	239.4	20,000*	77.5	237.3	20,000*	75
	80	72.4	238.6	20,000*	74.3	237.8	20,000*	76.2	235.7	20,000*	80
	90	69.9	235.1	20,000*	71.8	234.3	20,000*	73.7	232.1	20,000*	90
	100	67.3	231.1	20,000*	69.3	230.3	20,000*	71.1	228.1	20,000*	100
	110	64.8	226.6	20,000*	66.7	225.8	20,000*	68.5	223.5	20,000*	110
	120	62.1	221.6	20,000*	64.0	220.7	20,000*	65.8	218.4	20,000*	120
	130	59.4	215.9	20,000*	61.3	215.0	20,000*	63.1	212.6	20,000*	130
	140	56.6	209.6	20,000*	58.5	208.6	20,000*	60.2	206.2	20,000*	140
	150	53.8	202.5	19,000	55.6	201.6	19,700	57.3	199.0	20,000*	150
	160	50.8	194.7	16,800	52.6	193.7	17,300	54.3	191.1	17,900	160
	170	47.6	186.0	14,800	49.5	184.9	15,300				170
	180	44.3	176.2	13,000	46.2	175.1	13,500				180
	190	40.9	165.2	11,500	42.6	164.0	11,900				190
	200	37.1	152.7	10,100							200
210	32.9	138.2	8,900							210	
200	50	80.1	256.4	20,000*							50
	55	78.9	255.5	20,000*	80.8	254.7	20,000*				55
	60	77.8	254.4	20,000*	79.7	253.6	20,000*				60
	65	76.6	253.3	20,000*	78.5	252.5	20,000*	80.3	250.4	20,000*	65
	70	75.4	252.0	20,000*	77.3	251.2	20,000*	79.2	249.1	20,000*	70
	75	74.3	250.6	20,000*	76.1	249.8	20,000*	78.0	247.7	20,000*	75
	80	73.1	249.1	20,000*	75.0	248.3	20,000*	76.8	246.2	20,000*	80
	90	70.7	245.8	20,000*	72.6	244.9	20,000*	74.4	242.8	20,000*	90
	100	68.3	242.0	20,000*	70.1	241.1	20,000*	71.9	238.9	20,000*	100
	110	65.8	237.7	20,000*	67.7	236.8	20,000*	69.4	234.6	20,000*	110
	120	63.3	232.9	20,000*	65.2	232.0	20,000*	66.9	229.7	20,000*	120
	130	60.7	227.5	20,000*	62.6	226.6	20,000*	64.3	224.2	20,000*	130
	140	58.1	221.5	20,000*	59.9	220.6	20,000*	61.6	218.1	20,000*	140
	150	55.4	214.9	18,400	57.2	213.9	19,100	58.8	211.4	19,700	150
	160	52.6	207.5	16,100	54.4	206.5	16,800	56.0	203.9	17,300	160
170	49.7	199.4	14,200	51.5	198.3	14,700	53.0	195.6	15,200	170	
180	46.6	190.3	12,400	48.4	189.2	12,900				180	
190	43.4	180.2	10,900	45.2	179.1	11,300				190	
200	40.0	168.8	9,500	41.7	167.6	9,900				200	
210	36.3	156.0	8,200							210	
220	32.3	141.1	7,100							220	

LIFT CRANE JIB CAPACITIES

MEETS
ANSI B30.5
REQUIREMENTS

4100W SERIES 2

JIB NO. 123 WITH 12' 6" STRUT ON
BOOM NO. 22C WITH OPEN THROAT TOP
146,400 LB. CRANE COUNTERWEIGHT
60,000 LB. CARBODY COUNTERWEIGHT
26' 6" CRAWLERS EXTENDED

50 FOOT JIB

BOOM LGTH. FEET	JIB OPER. RAD. FEET	0 DEGREE OFFSET			10 DEGREE OFFSET			20 DEGREE OFFSET			JIB OPER. RAD. FEET
		BOOM ANG. DEG.	JIB POINT ELEV. FEET	CAPACITY POUNDS	BOOM ANG. DEG.	JIB POINT ELEV. FEET	CAPACITY POUNDS	BOOM ANG. DEG.	JIB POINT ELEV. FEET	CAPACITY POUNDS	
210	50	80.5	266.6	20,000*							50
	55	79.3	265.7	20,000*							55
	60	78.2	264.7	20,000*	80.1	263.9	20,000*				60
	65	77.1	263.5	20,000*	78.9	262.7	20,000*	80.7	260.6	20,000*	65
	70	76.0	262.3	20,000*	77.8	261.5	20,000*	79.6	259.4	20,000*	70
	75	74.9	261.0	20,000*	76.7	260.2	20,000*	78.5	258.0	20,000*	75
	80	73.7	259.6	20,000*	75.5	258.7	20,000*	77.3	256.6	20,000*	80
	90	71.5	256.4	20,000*	73.3	255.5	20,000*	75.0	253.4	20,000*	90
	100	69.2	252.7	20,000*	70.9	251.9	20,000*	72.7	249.7	20,000*	100
	110	66.8	248.6	20,000*	68.6	247.8	20,000*	70.3	245.5	20,000*	110
	120	64.4	244.0	20,000*	66.2	243.1	20,000*	67.8	240.9	20,000*	120
	130	62.0	238.9	20,000*	63.7	238.0	20,000*	65.4	235.7	20,000*	130
	140	59.5	233.2	20,000*	61.2	232.3	20,000*	62.8	229.9	20,000*	140
	150	56.9	226.9	18,000	58.6	226.0	18,700	60.2	223.5	19,400	150
	160	54.2	220.0	15,700	56.0	219.0	16,400	57.5	216.5	17,000	160
	170	51.5	212.4	13,800	53.2	211.3	14,300	54.7	208.7	14,900	170
	180	48.7	203.9	12,000	50.4	202.8	12,500	51.8	200.1	13,000	180
	190	45.7	194.5	10,500	47.4	193.4	10,900				190
	200	42.5	184.1	9,100	44.2	182.9	9,500				200
	210	39.2	172.4	7,800							210
	220	35.6	159.2	6,700*							220
	220	50	80.8	276.7	20,000*						
55		79.7	275.9	20,000*							55
60		78.7	274.9	20,000*	80.4	274.1	20,000*				60
65		77.6	273.8	20,000*	79.3	273.0	20,000*				65
70		76.5	272.6	20,000*	78.3	271.8	20,000*	80.0	269.7	20,000*	70
75		75.4	271.3	20,000*	77.2	270.5	20,000*	78.9	268.4	20,000*	75
80		74.4	270.0	20,000*	76.1	269.1	20,000*	77.8	267.0	20,000*	80
90		72.2	266.9	20,000*	73.9	266.1	20,000*	75.6	263.9	20,000*	90
100		69.9	263.4	20,000*	71.7	262.6	20,000*	73.3	260.4	20,000*	100
110		67.7	259.5	20,000*	69.4	258.6	20,000*	71.1	256.4	20,000*	110
120		65.4	255.1	20,000*	67.1	254.2	20,000*	68.7	251.9	20,000*	120
130		63.1	250.2	20,000*	64.8	249.3	20,000*	66.4	247.0	20,000*	130
140		60.7	244.8	20,000*	62.4	243.9	20,000*	64.0	241.5	20,000*	140
150		58.3	238.8	17,400	59.9	237.9	18,200	61.5	235.4	18,900	150
160		55.7	232.3	15,100	57.4	231.3	15,800	58.9	228.8	16,500	160
170	53.2	225.0	13,200	54.8	224.0	13,800	56.3	221.4	14,400	170	
180	50.5	217.1	11,400	52.1	216.1	12,000	53.6	213.3	12,500	180	
190	47.7	208.3	9,900	49.3	207.3	10,400				190	
200	44.8	198.7	8,500	46.4	197.5	8,900				200	
210	41.7	187.9	7,200	43.3	186.7	7,600				210	
220	38.4	175.9	5,900*							220	
230	34.9	162.3	4,600*							230	
230	55	80.1	286.0	20,000*							55
	60	79.1	285.1	20,000*	80.8	284.3	20,000*				60
	65	78.0	284.0	20,000*	79.7	283.2	20,000*				65
	70	77.0	282.9	20,000*	78.7	282.1	20,000*	80.3	279.9	20,000*	70
	75	76.0	281.7	20,000*	77.6	280.9	20,000*	79.3	278.7	20,000*	75
	80	74.9	280.4	20,000*	76.6	279.5	20,000*	78.2	277.4	20,000*	80
	90	72.8	277.4	20,000*	74.5	276.6	20,000*	76.1	274.4	20,000*	90
	100	70.7	274.1	20,000*	72.3	273.2	20,000*	74.0	271.0	20,000*	100
	110	68.5	270.3	20,000*	70.2	269.4	20,000*	71.8	267.2	20,000*	110
	120	66.3	266.1	20,000*	68.0	265.2	20,000*	69.5	262.9	20,000*	120
	130	64.1	261.4	20,000*	65.7	260.5	20,000*	67.3	258.2	20,000*	130
	140	61.8	256.2	19,400	63.5	255.3	20,000*	65.0	252.9	20,000*	140
	150	59.5	250.5	16,800	61.1	249.6	17,600	62.6	247.2	18,400	150
	160	57.1	244.3	14,600	58.7	243.3	15,300	60.2	240.8	16,000	160
	170	54.7	237.5	12,600	56.3	236.5	13,300	57.7	233.9	13,900	170
180	52.1	230.0	10,900	53.7	228.9	11,500	55.2	226.3	12,000	180	
190	49.5	221.7	9,300	51.1	220.7	9,800	52.5	217.9	10,300	190	
200	46.8	212.7	7,900	48.4	211.6	8,400				200	
210	43.9	202.7	6,500*	45.5	201.6	7,100*				210	
220	40.9	191.7	5,100*	42.5	190.4	5,600*				220	

LIFT CRANE JIB CAPACITIES

MEETS
ANSI B30.5
REQUIREMENTS

4100W SERIES 2

JIB NO. 123 WITH 12' 6" STRUT ON
BOOM NO. 22C WITH OPEN THROAT TOP
146,400 LB. CRANE COUNTERWEIGHT
60,000 LB. CARBODY COUNTERWEIGHT
26' 6" CRAWLERS EXTENDED

60 FOOT JIB

BOOM LGTH. FEET	JIB OPER. RAD. FEET	0 DEGREE OFFSET			10 DEGREE OFFSET			20 DEGREE OFFSET			JIB OPER. RAD. FEET
		BOOM ANG. DEG.	JIB POINT ELEV. FEET	CAPACITY POUNDS	BOOM ANG. DEG.	JIB POINT ELEV. FEET	CAPACITY POUNDS	BOOM ANG. DEG.	JIB POINT ELEV. FEET	CAPACITY POUNDS	
110	35	80.2	177.9	10,000*							35
	40	78.5	176.9	10,000*							40
	45	76.8	175.8	10,000*	80.2	175.2	10,000*				45
	50	75.1	174.5	10,000*	78.4	173.9	10,000*				50
	55	73.4	173.1	10,000*	76.7	172.4	10,000*	80.1	170.5	10,000*	55
	60	71.7	171.5	10,000*	75.0	170.9	10,000*	78.3	168.9	10,000*	60
	65	69.9	169.8	10,000*	73.2	169.1	10,000*	76.5	167.1	10,000*	65
	70	68.1	167.8	10,000*	71.4	167.1	10,000*	74.7	165.1	10,000*	70
	75	66.3	165.7	10,000*	69.6	165.0	10,000*	72.9	162.9	10,000*	75
	80	64.5	163.4	10,000*	67.8	162.7	10,000*	71.0	160.6	10,000*	80
	90	60.8	158.2	10,000*	64.1	157.5	10,000*	67.2	155.3	10,000*	90
	100	56.9	152.1	10,000*	60.2	151.4	10,000*	63.3	149.1	10,000*	100
	110	52.9	145.1	10,000*	56.1	144.3	10,000*	59.2	141.9	10,000*	110
	120	48.6	136.8	10,000*	51.8	136.0	10,000*	54.8	133.4	10,000*	120
130	44.0	127.2	10,000*	47.2	126.3	10,000*				130	
140	39.0	115.9	10,000*	42.2	114.9	10,000*				140	
150	33.4	102.1	10,000*							150	
120	35	80.7	188.0	10,000*							35
	40	79.1	187.1	10,000*							40
	45	77.5	186.1	10,000*	80.7	185.4	10,000*				45
	50	75.9	184.9	10,000*	79.1	184.2	10,000*				50
	55	74.3	183.5	10,000*	77.5	182.9	10,000*	80.6	180.8	10,000*	55
	60	72.7	182.0	10,000*	75.8	181.3	10,000*	79.0	179.3	10,000*	60
	65	71.1	180.4	10,000*	74.2	179.7	10,000*	77.3	177.6	10,000*	65
	70	69.4	178.6	10,000*	72.5	177.9	10,000*	75.6	175.8	10,000*	70
	75	67.7	176.6	10,000*	70.8	175.9	10,000*	73.9	173.8	10,000*	75
	80	66.0	174.4	10,000*	69.1	173.7	10,000*	72.2	171.6	10,000*	80
	90	62.5	169.6	10,000*	65.6	168.8	10,000*	68.6	166.6	10,000*	90
	100	59.0	163.9	10,000*	62.0	163.2	10,000*	65.0	160.9	10,000*	100
	110	55.2	157.4	10,000*	58.3	156.6	10,000*	61.2	154.2	10,000*	110
	120	51.3	149.9	10,000*	54.4	149.1	10,000*	57.2	146.6	10,000*	120
130	47.2	141.3	10,000*	50.2	140.4	10,000*	53.0	137.7	10,000*	130	
140	42.8	131.2	10,000*	45.7	130.2	10,000*				140	
150	37.9	119.3	10,000*	40.9	118.3	10,000*				150	
160	32.5	105.1	10,000*							160	
130	40	79.7	197.3	10,000*							40
	45	78.2	196.3	10,000*							45
	50	76.7	195.2	10,000*	79.7	194.5	10,000*				50
	55	75.2	193.9	10,000*	78.1	193.2	10,000*				55
	60	73.6	192.5	10,000*	76.6	191.8	10,000*	79.6	189.7	10,000*	60
	65	72.1	190.9	10,000*	75.0	190.2	10,000*	78.0	188.1	10,000*	65
	70	70.5	189.2	10,000*	73.5	188.5	10,000*	76.4	186.4	10,000*	70
	75	68.9	187.4	10,000*	71.9	186.6	10,000*	74.8	184.5	10,000*	75
	80	67.3	185.3	10,000*	70.3	184.6	10,000*	73.2	182.4	10,000*	80
	90	64.1	180.8	10,000*	67.0	180.0	10,000*	69.9	177.8	10,000*	90
	100	60.7	175.5	10,000*	63.6	174.8	10,000*	66.5	172.5	10,000*	100
	110	57.3	169.5	10,000*	60.2	168.7	10,000*	62.9	166.3	10,000*	110
	120	53.7	162.6	10,000*	56.5	161.7	10,000*	59.3	159.2	10,000*	120
	130	49.9	154.6	10,000*	52.7	153.8	10,000*	55.4	151.1	10,000*	130
140	45.9	145.5	10,000*	48.7	144.6	10,000*	51.3	141.8	10,000*	140	
150	41.6	135.0	10,000*	44.4	134.0	10,000*				150	
160	36.9	122.7	10,000*							160	
170	31.6	107.9	10,000*							170	

LIFT CRANE JIB CAPACITIES

MEETS
ANSI B30.5
REQUIREMENTS

4100W SERIES 2

JIB NO. 123 WITH 12' 6" STRUT ON
BOOM NO. 22C WITH OPEN THROAT TOP
146,400 LB. CRANE COUNTERWEIGHT
60,000 LB. CARBODY COUNTERWEIGHT
26' 6" CRAWLERS EXTENDED

60 FOOT JIB

BOOM LGTH. FEET	JIB OPER. RAD. FEET	0 DEGREE OFFSET			10 DEGREE OFFSET			20 DEGREE OFFSET			JIB OPER. RAD. FEET
		BOOM ANG. DEG.	JIB POINT ELEV. FEET	CAPACITY POUNDS	BOOM ANG. DEG.	JIB POINT ELEV. FEET	CAPACITY POUNDS	BOOM ANG. DEG.	JIB POINT ELEV. FEET	CAPACITY POUNDS	
140	40	80.2	207.4	10,000*							40
	45	78.8	206.5	10,000*							45
	50	77.3	205.4	10,000*	80.2	204.7	10,000*				50
	55	75.9	204.2	10,000*	78.7	203.5	10,000*				55
	60	74.4	202.9	10,000*	77.3	202.2	10,000*	80.1	200.1	10,000*	60
	65	73.0	201.4	10,000*	75.8	200.7	10,000*	78.6	198.6	10,000*	65
	70	71.5	199.8	10,000*	74.3	199.1	10,000*	77.1	196.9	10,000*	70
	75	70.0	198.0	10,000*	72.8	197.3	10,000*	75.6	195.1	10,000*	75
	80	68.5	196.1	10,000*	71.3	195.4	10,000*	74.1	193.2	10,000*	80
	90	65.4	191.9	10,000*	68.2	191.1	10,000*	71.0	188.9	10,000*	90
	100	62.3	186.9	10,000*	65.1	186.1	10,000*	67.8	183.8	10,000*	100
	110	59.1	181.3	10,000*	61.8	180.5	10,000*	64.5	178.1	10,000*	110
	120	55.7	174.8	10,000*	58.5	174.0	10,000*	61.1	171.5	10,000*	120
	130	52.2	167.5	10,000*	55.0	166.6	10,000*	57.5	164.0	10,000*	130
	140	48.6	159.2	10,000*	51.3	158.3	10,000*	53.8	155.5	10,000*	140
	150	44.7	149.7	10,000*	47.4	148.7	10,000*				150
	160	40.5	138.8	10,000*	43.2	137.7	10,000*				160
	170	35.9	126.0	10,000*							170
180	30.8	110.7	10,000*							180	
150	40	80.7	217.6	10,000*							40
	45	79.3	216.7	10,000*							45
	50	78.0	215.7	10,000*	80.7	215.0	10,000*				50
	55	76.6	214.5	10,000*	79.3	213.8	10,000*				55
	60	75.2	213.3	10,000*	77.9	212.5	10,000*	80.6	210.4	10,000*	60
	65	73.8	211.9	10,000*	76.5	211.1	10,000*	79.2	209.0	10,000*	65
	70	72.4	210.3	10,000*	75.1	209.6	10,000*	77.8	207.4	10,000*	70
	75	71.0	208.7	10,000*	73.7	207.9	10,000*	76.3	205.7	10,000*	75
	80	69.6	206.9	10,000*	72.2	206.1	10,000*	74.9	203.9	10,000*	80
	90	66.7	202.8	10,000*	69.3	202.1	10,000*	71.9	199.8	10,000*	90
	100	63.7	198.2	10,000*	66.4	197.4	10,000*	68.9	195.0	10,000*	100
	110	60.7	192.8	10,000*	63.3	192.0	10,000*	65.8	189.6	10,000*	110
	120	57.5	186.8	10,000*	60.2	186.0	10,000*	62.6	183.5	10,000*	120
	130	54.3	180.0	10,000*	56.9	179.2	10,000*	59.3	176.6	10,000*	130
	140	50.9	172.3	10,000*	53.5	171.4	10,000*	55.9	168.7	10,000*	140
	150	47.3	163.6	10,000*	49.9	162.7	10,000*	52.2	159.8	10,000*	150
	160	43.6	153.7	10,000*	46.1	152.7	10,000*				160
	170	39.5	142.4	10,000*	42.0	141.3	10,000*				170
180	35.0	129.2	10,000*							180	
160	45	79.8	226.9	10,000*							45
	50	78.5	225.9	10,000*							50
	55	77.2	224.8	10,000*	79.8	224.1	10,000*				55
	60	75.9	223.6	10,000*	78.4	222.9	10,000*	81.0	220.7	10,000*	60
	65	74.5	222.3	10,000*	77.1	221.5	10,000*	79.7	219.3	10,000*	65
	70	73.2	220.8	10,000*	75.8	220.1	10,000*	78.3	217.9	10,000*	70
	75	71.9	219.2	10,000*	74.4	218.5	10,000*	77.0	216.2	10,000*	75
	80	70.5	217.5	10,000*	73.1	216.8	10,000*	75.6	214.5	10,000*	80
	90	67.8	213.7	10,000*	70.3	212.9	10,000*	72.8	210.6	10,000*	90
	100	65.0	209.3	10,000*	67.5	208.5	10,000*	70.0	206.1	10,000*	100
	110	62.1	204.2	10,000*	64.6	203.4	10,000*	67.1	201.0	10,000*	110
	120	59.1	198.6	10,000*	61.7	197.8	10,000*	64.1	195.3	10,000*	120
	130	56.1	192.2	10,000*	58.6	191.4	10,000*	61.0	188.8	10,000*	130
	140	52.9	185.1	10,000*	55.4	184.2	10,000*	57.7	181.5	10,000*	140
	150	49.7	177.0	10,000*	52.1	176.1	10,000*	54.4	173.3	10,000*	150
	160	46.2	167.9	10,000*	48.6	166.9	10,000*	50.8	164.0	10,000*	160
	170	42.5	157.7	10,000*	44.9	156.6	10,000*				170
	180	38.6	145.9	10,000*	41.0	144.8	10,000*				180
190	34.2	132.3	10,000*							190	

LIFT CRANE JIB CAPACITIES

MEETS
ANSI B30.5
REQUIREMENTS

4100W SERIES 2

JIB NO. 123 WITH 12' 6" STRUT ON
BOOM NO. 22C WITH OPEN THROAT TOP
146,400 LB. CRANE COUNTERWEIGHT
60,000 LB. CARBODY COUNTERWEIGHT
26' 6" CRAWLERS EXTENDED

60 FOOT JIB

BOOM LGTH. FEET	JIB OPER. RAD. FEET	0 DEGREE OFFSET			10 DEGREE OFFSET			20 DEGREE OFFSET			JIB OPER. RAD. FEET
		BOOM ANG. DEG.	JIB POINT ELEV. FEET	CAPACITY POUNDS	BOOM ANG. DEG.	JIB POINT ELEV. FEET	CAPACITY POUNDS	BOOM ANG. DEG.	JIB POINT ELEV. FEET	CAPACITY POUNDS	
170	45	80.2	237.0	10,000*							45
	50	79.0	236.1	10,000*							50
	55	77.7	235.1	10,000*	80.2	234.3	10,000*				55
	60	76.5	233.9	10,000*	79.0	233.2	10,000*				60
	65	75.2	232.6	10,000*	77.7	231.9	10,000*	80.2	229.7	10,000*	65
	70	73.9	231.2	10,000*	76.4	230.5	10,000*	78.9	228.3	10,000*	70
	75	72.7	229.7	10,000*	75.1	229.0	10,000*	77.6	226.7	10,000*	75
	80	71.4	228.1	10,000*	73.8	227.3	10,000*	76.3	225.1	10,000*	80
	90	68.8	224.4	10,000*	71.2	223.7	10,000*	73.6	221.4	10,000*	90
	100	66.1	220.3	10,000*	68.5	219.5	10,000*	70.9	217.1	10,000*	100
	110	63.4	215.5	10,000*	65.8	214.7	10,000*	68.1	212.3	10,000*	110
	120	60.6	210.2	10,000*	63.0	209.3	10,000*	65.3	206.9	10,000*	120
	130	57.7	204.2	10,000*	60.1	203.3	10,000*	62.4	200.8	10,000*	130
	140	54.8	197.5	10,000*	57.2	196.6	10,000*	59.4	193.9	10,000*	140
	150	51.7	190.0	10,000*	54.1	189.0	10,000*	56.3	186.3	10,000*	150
	160	48.5	181.6	10,000*	50.9	180.6	10,000*	53.0	177.7	10,000*	160
	170	45.1	172.1	10,000*	47.5	171.1	10,000*				170
	180	41.6	161.5	10,000*	43.9	160.4	10,000*				180
	190	37.7	149.4	10,000*							190
	200	33.5	135.3	10,000*							200
180	45	80.6	247.2	10,000*							45
	50	79.5	246.3	10,000*							50
	55	78.3	245.3	10,000*	80.6	244.5	10,000*				55
	60	77.0	244.2	10,000*	79.4	243.4	10,000*				60
	65	75.8	243.0	10,000*	78.2	242.2	10,000*	80.6	240.0	10,000*	65
	70	74.6	241.6	10,000*	77.0	240.9	10,000*	79.3	238.6	10,000*	70
	75	73.4	240.2	10,000*	75.8	239.4	10,000*	78.1	237.2	10,000*	75
	80	72.2	238.6	10,000*	74.5	237.9	10,000*	76.8	235.6	10,000*	80
	90	69.7	235.1	10,000*	72.0	234.4	10,000*	74.3	232.0	10,000*	90
	100	67.1	231.2	10,000*	69.5	230.4	10,000*	71.8	228.0	10,000*	100
	110	64.6	226.7	10,000*	66.9	225.8	10,000*	69.1	223.4	10,000*	110
	120	61.9	221.6	10,000*	64.2	220.8	10,000*	66.5	218.3	10,000*	120
	130	59.2	215.9	10,000*	61.5	215.1	10,000*	63.7	212.5	10,000*	130
	140	56.4	209.6	10,000*	58.7	208.7	10,000*	60.9	206.1	10,000*	140
	150	53.6	202.6	10,000*	55.8	201.6	10,000*	57.9	198.9	10,000*	150
	160	50.6	194.7	10,000*	52.8	193.8	10,000*	54.9	190.9	10,000*	160
	170	47.4	186.0	10,000*	49.7	185.0	10,000*	51.7	182.0	10,000*	170
	180	44.1	176.2	10,000*	46.4	175.2	10,000*				180
	190	40.6	165.2	10,000*	42.9	164.1	10,000*				190
	200	36.9	152.7	10,000*							200
210	32.7	138.3	9,600							210	
190	45	81.0	257.3	10,000*							45
	50	79.9	256.5	10,000*							50
	55	78.7	255.5	10,000*	81.0	254.7	10,000*				55
	60	77.6	254.4	10,000*	79.8	253.7	10,000*				60
	65	76.4	253.3	10,000*	78.7	252.5	10,000*	81.0	250.2	10,000*	65
	70	75.2	252.0	10,000*	77.5	251.2	10,000*	79.8	248.9	10,000*	70
	75	74.1	250.6	10,000*	76.3	249.8	10,000*	78.6	247.5	10,000*	75
	80	72.9	249.1	10,000*	75.2	248.3	10,000*	77.4	246.0	10,000*	80
	90	70.5	245.8	10,000*	72.8	245.0	10,000*	75.0	242.7	10,000*	90
	100	68.1	242.0	10,000*	70.3	241.2	10,000*	72.5	238.8	10,000*	100
	110	65.6	237.7	10,000*	67.9	236.9	10,000*	70.0	234.4	10,000*	110
	120	63.1	232.9	10,000*	65.3	232.0	10,000*	67.5	229.6	10,000*	120
	130	60.6	227.5	10,000*	62.8	226.6	10,000*	64.9	224.1	10,000*	130
	140	57.9	221.5	10,000*	60.1	220.6	10,000*	62.2	218.0	10,000*	140
	150	55.2	214.9	10,000*	57.4	214.0	10,000*	59.4	211.3	10,000*	150
	160	52.4	207.5	10,000*	54.6	206.6	10,000*	56.6	203.8	10,000*	160
	170	49.5	199.4	10,000*	51.7	198.4	10,000*	53.6	195.5	10,000*	170
	180	46.4	190.3	10,000*	48.6	189.3	10,000*	50.5	186.2	10,000*	180
	190	43.2	180.2	10,000*	45.4	179.1	10,000*				190
	200	39.8	168.9	10,000*	41.9	167.7	10,000*				200
210	36.1	156.0	9,000							210	
220	32.1	141.2	7,900							220	

LIFT CRANE JIB CAPACITIES

MEETS
ANSI B30.5
REQUIREMENTS

4100W SERIES 2

JIB NO. 123 WITH 12' 6" STRUT ON
BOOM NO. 22C WITH OPEN THROAT TOP
146,400 LB. CRANE COUNTERWEIGHT
60,000 LB. CARBODY COUNTERWEIGHT
26' 6" CRAWLERS EXTENDED

60 FOOT JIB

BOOM LGTH. FEET	JIB OPER. RAD. FEET	0 DEGREE OFFSET			10 DEGREE OFFSET			20 DEGREE OFFSET			JIB OPER. RAD. FEET
		BOOM ANG. DEG.	JIB POINT ELEV. FEET	CAPACITY POUNDS	BOOM ANG. DEG.	JIB POINT ELEV. FEET	CAPACITY POUNDS	BOOM ANG. DEG.	JIB POINT ELEV. FEET	CAPACITY POUNDS	
200	50	80.3	266.6	10,000*							50
	55	79.2	265.7	10,000*							55
	60	78.0	264.7	10,000*	80.2	263.9	10,000*				60
	65	76.9	263.6	10,000*	79.1	262.8	10,000*				65
	70	75.8	262.3	10,000*	78.0	261.6	10,000*	80.2	259.3	10,000*	70
	75	74.7	261.0	10,000*	76.9	260.2	10,000*	79.0	257.9	10,000*	75
	80	73.6	259.6	10,000*	75.7	258.8	10,000*	77.9	256.5	10,000*	80
	90	71.3	256.4	10,000*	73.4	255.6	10,000*	75.6	253.2	10,000*	90
	100	69.0	252.7	10,000*	71.1	251.9	10,000*	73.2	249.5	10,000*	100
	110	66.6	248.6	10,000*	68.8	247.8	10,000*	70.9	245.4	10,000*	110
	120	64.2	244.0	10,000*	66.4	243.2	10,000*	68.4	240.7	10,000*	120
	130	61.8	238.9	10,000*	63.9	238.1	10,000*	66.0	235.5	10,000*	130
	140	59.3	233.2	10,000*	61.4	232.4	10,000*	63.4	229.8	10,000*	140
	150	56.7	227.0	10,000*	58.8	226.1	10,000*	60.8	223.4	10,000*	150
	160	54.1	220.0	10,000*	56.2	219.1	10,000*	58.1	216.3	10,000*	160
	170	51.3	212.4	10,000*	53.4	211.4	10,000*	55.3	208.5	10,000*	170
	180	48.5	203.9	10,000*	50.6	202.9	10,000*	52.4	199.9	10,000*	180
	190	45.5	194.5	10,000*	47.6	193.5	10,000*				190
	200	42.4	184.1	9,600	44.4	183.0	10,000*				200
	210	39.0	172.4	8,400	41.0	171.2	8,800				210
	220	35.4	159.2	7,300							220
	230	31.4	144.0	6,200*							230
	210	50	80.6	276.8	10,000*						
55		79.6	275.9	10,000*							55
60		78.5	274.9	10,000*	80.6	274.1	10,000*				60
65		77.4	273.8	10,000*	79.5	273.0	10,000*				65
70		76.3	272.6	10,000*	78.4	271.9	10,000*	80.6	269.5	10,000*	70
75		75.3	271.4	10,000*	77.4	270.6	10,000*	79.5	268.2	10,000*	75
80		74.2	270.0	10,000*	76.3	269.2	10,000*	78.4	266.9	10,000*	80
90		72.0	266.9	10,000*	74.1	266.1	10,000*	76.1	263.8	10,000*	90
100		69.8	263.4	10,000*	71.9	262.6	10,000*	73.9	260.2	10,000*	100
110		67.5	259.5	10,000*	69.6	258.7	10,000*	71.6	256.2	10,000*	110
120		65.2	255.1	10,000*	67.3	254.3	10,000*	69.3	251.8	10,000*	120
130		62.9	250.2	10,000*	65.0	249.4	10,000*	66.9	246.8	10,000*	130
140		60.5	244.8	10,000*	62.6	243.9	10,000*	64.5	241.3	10,000*	140
150		58.1	238.8	10,000*	60.1	238.0	10,000*	62.0	235.3	10,000*	150
160		55.6	232.3	10,000*	57.6	231.4	10,000*	59.5	228.6	10,000*	160
170		53.0	225.1	10,000*	55.0	224.1	10,000*	56.9	221.3	10,000*	170
180		50.3	217.1	10,000*	52.3	216.1	10,000*	54.1	213.2	10,000*	180
190		47.5	208.4	10,000*	49.5	207.3	10,000*	51.3	204.2	10,000*	190
200		44.6	198.7	9,200	46.6	197.6	9,700				200
210		41.5	187.9	8,000	43.5	186.8	8,400				210
220		38.3	175.9	6,800	40.2	174.7	7,300				220
230		34.7	162.4	5,600*							230
240		30.8	146.8	4,500*							240
220	50	81.0	286.9	10,000*							50
	55	79.9	286.0	10,000*							55
	60	78.9	285.1	10,000*	80.9	284.3	10,000*				60
	65	77.9	284.1	10,000*	79.9	283.3	10,000*				65
	70	76.8	282.9	10,000*	78.9	282.1	10,000*	80.9	279.8	10,000*	70
	75	75.8	281.7	10,000*	77.8	280.9	10,000*	79.8	278.6	10,000*	75
	80	74.7	280.4	10,000*	76.8	279.6	10,000*	78.8	277.2	10,000*	80
	90	72.6	277.4	10,000*	74.7	276.6	10,000*	76.7	274.2	10,000*	90
	100	70.5	274.1	10,000*	72.5	273.3	10,000*	74.5	270.8	10,000*	100
	110	68.3	270.3	10,000*	70.4	269.5	10,000*	72.3	267.0	10,000*	110
	120	66.2	266.1	10,000*	68.2	265.3	10,000*	70.1	262.8	10,000*	120
	130	63.9	261.4	10,000*	65.9	260.6	10,000*	67.8	258.0	10,000*	130
	140	61.6	256.2	10,000*	63.6	255.4	10,000*	65.5	252.8	10,000*	140
	150	59.3	250.6	10,000*	61.3	249.7	10,000*	63.2	247.0	10,000*	150
	160	56.9	244.3	10,000*	58.9	243.4	10,000*	60.7	240.7	10,000*	160
	170	54.5	237.5	10,000*	56.5	236.5	10,000*	58.3	233.7	10,000*	170
	180	52.0	230.0	10,000*	53.9	229.0	10,000*	55.7	226.1	10,000*	180
	190	49.3	221.7	10,000*	51.3	220.7	10,000*	53.0	217.7	10,000*	190
	200	46.6	212.7	8,600	48.5	211.6	9,200				200
	210	43.8	202.7	7,400	45.7	201.6	7,900				210
	220	40.8	191.7	6,100*	42.6	190.5	6,700*				220
	230	37.5	179.4	4,800*							230

LIFTCRANE JIB CAPACITIES

MEETS
ANSI B30.5
REQUIREMENTS

4100W SERIES 2

JIB NO. 123 WITH 12' 6" STRUT ON
BOOM NO. 22C WITH OPEN THROAT TOP
146,400 LB. CRANE COUNTERWEIGHT
60,000 LB. CARBODY COUNTERWEIGHT
26' 6" CRAWLERS EXTENDED

60 FOOT JIB

BOOM LGTH. FEET	JIB OPER. RAD. FEET	0 DEGREE OFFSET			10 DEGREE OFFSET			20 DEGREE OFFSET			JIB OPER. RAD. FEET
		BOOM ANG. DEG.	JIB POINT ELEV. FEET	CAPACITY POUNDS	BOOM ANG. DEG.	JIB POINT ELEV. FEET	CAPACITY POUNDS	BOOM ANG. DEG.	JIB POINT ELEV. FEET	CAPACITY POUNDS	
230	55	80.3	296.2	10,000*							55
	60	79.3	295.3	10,000*							60
	65	78.3	294.3	10,000*	80.3	293.5	10,000*				65
	70	77.3	293.2	10,000*	79.3	292.4	10,000*				70
	75	76.3	292.0	10,000*	78.2	291.2	10,000*	80.2	288.8	10,000*	75
	80	75.3	290.7	10,000*	77.2	289.9	10,000*	79.2	287.6	10,000*	80
	90	73.3	287.9	10,000*	75.2	287.1	10,000*	77.1	284.7	10,000*	90
	100	71.2	284.7	10,000*	73.1	283.9	10,000*	75.1	281.4	10,000*	100
	110	69.1	281.0	10,000*	71.1	280.2	10,000*	73.0	277.8	10,000*	110
	120	67.0	277.0	10,000*	69.0	276.2	10,000*	70.8	273.7	10,000*	120
	130	64.9	272.5	10,000*	66.8	271.7	10,000*	68.7	269.1	10,000*	130
	140	62.7	267.6	10,000*	64.6	266.7	10,000*	66.5	264.1	10,000*	140
	150	60.5	262.1	10,000*	62.4	261.2	10,000*	64.2	258.6	10,000*	150
	160	58.2	256.2	10,000*	60.1	255.3	10,000*	61.9	252.6	10,000*	160
	170	55.9	249.7	10,000*	57.8	248.7	10,000*	59.5	245.9	10,000*	170
	180	53.5	242.6	10,000*	55.4	241.6	10,000*	57.1	238.7	10,000*	180
	190	51.0	234.8	9,400	52.9	233.8	10,000*	54.6	230.8	10,000*	190
	200	48.4	226.3	8,000	50.3	225.2	8,700	52.0	222.2	9,200	200
	210	45.8	217.0	6,700*	47.6	215.9	7,300				210
	220	43.0	206.7	5,300*	44.8	205.6	6,000*				220
230	40.0	195.4	4,000*	41.8	194.2	4,600*				230	

JIB LIFTING CAPACITIES

MEETS
ANSI B30.5
REQUIREMENTS

4100W
SERIES-2

**JIB NO. 123 WITH 12'6" STRUT ON
BOOM NO. 22C WITH OPEN THROAT TOP
26'6" CRAWLERS — EXTENDED**

0 DEGREE JIB OFFSET ANGLE

Chart supplements boom capacity chart No. 6934-A. Capacities are for freely suspended loads based on tipping, strength of structural components or other factors. Crane operator judgment must be used to allow for dynamic load effects of swinging, hoisting or lowering, travel, as well as adverse operating conditions and physical machine depreciation.

Capacities do not exceed **75%** of a static tipping load with machine on firm level surface. Capacities based on structural competence are denoted by shaded areas. Operating radius is

the horizontal distance from the axis of rotation to the center of vertical hoist line or load block. Weight of all load blocks, hooks, weight ball, slings, hoist lines beneath boom and jib point sheaves, etc., including those on the main boom is considered part of the jib load. Boom and jib are not to be lowered beyond radii where combined weights are greater than rated capacity. Maximum capacity on 1-1/8" — 6x31 IPS, IWRC is 28,300 lbs./line. Refer to jib assembly No. 43730.

30 FOOT JIB	JIB POINT RADIUS: FEET	CAPACITIES IN POUNDS				JIB POINT RADIUS: FEET
		BOOM LENGTH — FEET				
		70	80	90	100	
60 *	40,000	40,000	40,000	40,000	60 *	
65	40,000	40,000	40,000	40,000	65	
70	40,000	40,000	40,000	40,000	70	
75	40,000	40,000	40,000	40,000	75	
80	39,900	40,000	40,000	40,000	80	
85	37,400	40,000	40,000	40,000	85	
90	35,200	38,600	40,000	40,000	90	
95		36,500	40,000	40,000	95	
100		34,600	39,300	40,000	100	
105			37,400	40,000	105	
110				38,300	110	
115				36,100	115	

40 FOOT JIB	JIB POINT RADIUS: FEET	CAPACITIES IN POUNDS				JIB POINT RADIUS: FEET
		BOOM LENGTH — FEET				
		70	80	90	100	
80 *	30,000	30,000	30,000	30,000	80 *	
85	30,000	30,000	30,000	30,000	85	
90	28,500	30,000	30,000	30,000	90	
95	26,900	29,400	30,000	30,000	95	
100	25,500	27,800	30,000	30,000	100	
105		26,400	29,700	30,000	105	
110		25,100	28,300	30,000	110	
115			27,100	29,000	115	
120				27,800	120	
125				26,700	125	

50 FOOT JIB	JIB POINT RADIUS: FEET	CAPACITIES IN POUNDS				JIB POINT RADIUS: FEET
		BOOM LENGTH — FEET				
		70	80	90	100	
100 *	20,000	20,000	20,000	20,000	100 *	
105	20,000	20,000	20,000	20,000	105	
110	19,800	20,000	20,000	20,000	110	
115		20,000	20,000	20,000	115	
120		19,500	20,000	20,000	120	
125			20,000	20,000	125	
130				20,000	130	
135				20,000	135	

60 FOOT JIB	JIB POINT RADIUS: FEET	CAPACITIES IN POUNDS				JIB POINT RADIUS: FEET
		BOOM LENGTH — FEET				
		70	80	90	100	
120 *	10,000	10,000	10,000	10,000	120 *	
125		10,000	10,000	10,000	125	
130			10,000	10,000	130	
135			10,000	10,000	135	
140				10,000	140	
145				10,000	145	

* These capacities apply for ALL lesser radii obtainable.

JIB LIFTING CAPACITIES

MEETS
ANSI B30.5
REQUIREMENTS

4100W
SERIES-2

**JIB NO. 123 WITH 12'6" STRUT ON
BOOM NO. 22C WITH OPEN THROAT TOP
26'6" CRAWLERS — EXTENDED**

10 DEGREE JIB OFFSET ANGLE

Chart supplements boom capacity chart No. 6934-A. Capacities are for freely suspended loads based on tipping, strength of structural components or other factors. Crane operator judgment must be used to allow for dynamic load effects of swinging, hoisting or lowering, travel, as well as adverse operating conditions and physical machine depreciation.

Capacities do not exceed **75%** of a static tipping load with machine on firm level surface. Capacities based on structural competence are denoted by shaded areas. Operating radius is

the horizontal distance from the axis of rotation to the center of vertical hoist line or load block. Weight of all load blocks, hooks, weight ball, slings, hoist lines beneath boom and jib point sheaves, etc., including those on the main boom is considered part of the jib load. Boom and jib are not to be lowered beyond radii where combined weights are greater than rated capacity. Maximum capacity on 1-1/8" — 6x31 IPS, IWRC is 28,300 lbs./line. Refer to jib assembly No. 43730.

30 FOOT JIB	JIB POINT RADIUS: FEET	CAPACITIES IN POUNDS				JIB POINT RADIUS: FEET
		BOOM LENGTH — FEET				
		70	80	90	100	
	50 *	40,000	40,000	40,000	40,000	50 *
	55	40,000	40,000	40,000	40,000	55
	60	40,000	40,000	40,000	40,000	60
	65	40,000	40,000	40,000	40,000	65
	70	39,300	40,000	40,000	40,000	70
	75	37,100	40,000	40,000	40,000	75
	80	35,200	37,900	40,000	40,000	80
	85	33,500	36,100	39,800	40,000	85
	90		34,500	38,000	40,000	90
	95			36,500	38,500	95
	100			35,100	37,000	100
	105				35,700	105

40 FOOT JIB	JIB POINT RADIUS: FEET	CAPACITIES IN POUNDS				JIB POINT RADIUS: FEET
		BOOM LENGTH — FEET				
		70	80	90	100	
	70 *	30,000	30,000	30,000	30,000	70 *
	75	29,900	30,000	30,000	30,000	75
	80	28,300	30,000	30,000	30,000	80
	85	26,800	28,800	30,000	30,000	85
	90	25,800	27,400	30,000	30,000	90
	95		26,200	28,800	30,000	95
	100		25,100	27,600	29,100	100
	105			26,500	28,000	105
	110				27,000	110
	115				26,000	115

50 FOOT JIB	JIB POINT RADIUS: FEET	CAPACITIES IN POUNDS				JIB POINT RADIUS: FEET
		BOOM LENGTH — FEET				
		70	80	90	100	
	90 *	20,000	20,000	20,000	20,000	90 *
	95	20,000	20,000	20,000	20,000	95
	100	19,800	20,000	20,000	20,000	100
	105		20,000	20,000	20,000	105
	110		19,500	20,000	20,000	110
	115			20,000	20,000	115
	120				20,000	120
	125				20,000	125

60 FOOT JIB	JIB POINT RADIUS: FEET	CAPACITIES IN POUNDS				JIB POINT RADIUS: FEET
		BOOM LENGTH — FEET				
		70	80	90	100	
	110 *	10,000	10,000	10,000	10,000	110 *
	115		10,000	10,000	10,000	115
	120		10,000	10,000	10,000	120
	125			10,000	10,000	125
	130				10,000	130
	135				10,000	135

* These capacities apply for ALL lesser radii obtainable.

JIB LIFTING CAPACITIES

MEETS
ANSI B30.5
REQUIREMENTS

4100W
SERIES-2

**JIB NO. 123 WITH 12'6" STRUT ON
BOOM NO. 22C WITH OPEN THROAT TOP
26'6" CRAWLERS — EXTENDED**

20 DEGREE JIB OFFSET ANGLE

Chart supplements boom capacity chart No. 6934-A. Capacities are for freely suspended loads based on tipping, strength of structural components or other factors. Crane operator judgment must be used to allow for dynamic load effects of swinging, hoisting or lowering, travel, as well as adverse operating conditions and physical machine depreciation.

the horizontal distance from the axis of rotation to the center of vertical hoist line or load block. Weight of all load blocks, hooks, weight ball, slings, hoist lines beneath boom and jib point sheaves, etc., including those on the main boom is considered part of the jib load. Boom and jib are not to be lowered beyond radii where combined weights are greater than rated capacity. Maximum capacity on 1-1/8" — 6x31 IPS, IWRC is 28,300 lbs./line. Refer to jib assembly No. 43730.

Capacities do not exceed **75%** of a static tipping load with machine on firm level surface. Capacities based on structural competence are denoted by shaded areas. Operating radius is

30 FOOT JIB	JIB POINT RADIUS: FEET	CAPACITIES IN POUNDS				JIB POINT RADIUS: FEET
		BOOM LENGTH — FEET				
		70	80	90	100	
	35	40,000	40,000	40,000	40,000	35
	40	40,000	40,000	40,000	40,000	40
	45	40,000	40,000	40,000	40,000	45
	50	40,000	40,000	40,000	40,000	50
	55	39,400	40,000	40,000	40,000	55
	60	37,200	39,400	40,000	40,000	60
	65	35,300	37,500	40,000	40,000	65
	70	33,600	35,700	38,300	39,800	70
	75	32,200	34,200	36,800	38,200	75
	80		32,800	35,400	36,800	80
	85			34,100	35,500	85
	90				34,300	90

40 FOOT JIB	JIB POINT RADIUS: FEET	CAPACITIES IN POUNDS				JIB POINT RADIUS: FEET
		BOOM LENGTH — FEET				
		70	80	90	100	
	55 *	30,000	30,000	30,000	30,000	55 *
	60	29,800	30,000	30,000	30,000	60
	65	28,200	29,800	30,000	30,000	65
	70	26,800	28,400	30,000	30,000	70
	75	25,600	27,100	28,800	29,800	75
	80	24,500	25,900	27,600	28,600	80
	85	23,500	24,900	26,600	27,600	85
	90		24,000	25,700	26,600	90
	95			24,800	25,800	95
	100				25,000	100

50 FOOT JIB	JIB POINT RADIUS: FEET	CAPACITIES IN POUNDS				JIB POINT RADIUS: FEET
		BOOM LENGTH — FEET				
		70	80	90	100	
	75 *	20,000	20,000	20,000	20,000	75 *
	80	20,000	20,000	20,000	20,000	80
	85	19,700	20,000	20,000	20,000	85
	90	18,900	20,000	20,000	20,000	90
	95	18,200	19,300	20,000	20,000	95
	100		18,600	20,000	20,000	100
	105			19,500	20,000	105
	110				19,600	110

60 FOOT JIB	JIB POINT RADIUS: FEET	CAPACITIES IN POUNDS				JIB POINT RADIUS: FEET
		BOOM LENGTH — FEET				
		70	80	90	100	
	95 *	10,000	10,000	10,000	10,000	95 *
	100	10,000	10,000	10,000	10,000	100
	105		10,000	10,000	10,000	105
	110		10,000	10,000	10,000	110
	115			10,000	10,000	115
	120				10,000	120

* These capacities apply for ALL lesser radii obtainable.

LIFT CRANE JIB CAPACITIES

MEETS
ANSI B30.5
REQUIREMENTS

4100W SERIES 2

**JIB NO. 123 WITH 12' 6" STRUT ON
BOOM NO. 22C WITH OPEN THROAT TOP
OFFSET 4-1/2 DEGREES - 146,400 LB. CRANE COUNTERWEIGHT
60,000 LB. CARBODY COUNTERWEIGHT
26' 6" CRAWLERS EXTENDED**

CHART SUPPLEMENTS BOOM CAPACITY CHART NO. 6934-B. CAPACITIES FOR VARIOUS BOOM LENGTHS, JIB LENGTHS AND JIB OPERATING RADII ARE FOR FREELY SUSPENDED LOADS AND DO NOT EXCEED 75% OF A STATIC TIPPING LOAD. CAPACITIES BASED ON STRUCTURAL COMPETENCE ARE DENOTED BY AN ASTERISK (*).

WEIGHT OF ALL LOAD BLOCKS, HOOKS, WEIGHT BALL, SLINGS, HOIST LINES, ETC., BENEATH BOOM AND JIB POINT SHEAVES, IS CONSIDERED PART OF THE JIB LOAD. BOOM AND JIB ARE NOT TO BE LOWERED BEYOND RADII WHERE COMBINED WEIGHTS ARE GREATER THAN RATED CAPACITY. WHERE NO CAPACITY IS SHOWN, OPERATION IS NOT INTENDED OR APPROVED.

MACHINE TO OPERATE IN A LEVEL POSITION ON A FIRM SURFACE WITH CRAWLERS FULLY EXTENDED AND GANTRY UP. REFER TO BOOM RIGGING NO. 190693, JIB ASSEMBLY NO. 43730 AND WIRE ROPE SPECIFICATION CHART NO. 6592-A. CRANE OPERATOR JUDGMENT MUST BE USED TO ALLOW FOR DYNAMIC LOAD EFFECTS OF SWINGING, HOISTING OR LOWERING, TRAVEL, WIND CONDITIONS, AS WELL AS ADVERSE OPERATING CONDITIONS AND PHYSICAL MACHINE DEPRECIATION.

OPERATING RADIUS IS THE HORIZONTAL DISTANCE FROM THE AXIS OF ROTATION TO THE CENTER OF VERTICAL HOIST LINE OR LOAD BLOCK. BOOM ANGLE IS THE ANGLE BETWEEN HORIZONTAL AND CENTERLINE OF BOOM BUTT AND INSERTS AND IS AN INDICATION OF OPERATING RADIUS. IN ALL CASES, OPERATING RADIUS SHALL GOVERN CAPACITY. JIB POINT ELEVATION IS VERTICAL DISTANCE FROM GROUND LEVEL TO CENTERLINE OF JIB POINT SHAFT.

MACHINE EQUIPPED WITH 26' 6" EXTENDIBLE CRAWLERS, 48" TREADS, 17' RETRACTABLE GANTRY, 12 PART BOOM HOIST REEVING, FOUR 1-3/8" BOOM PENDANTS, 1ST CWT. = 41,900 LBS., 2ND CWT. = 41,500 LBS., 3RD CWT. = 39,000 LBS., TWO 12,000 LB. SIDE CWTs. AND TWO 30,000 LB. CARBODY CWTs.

MAXIMUM CAPACITY ON 1-1/8" - 6 X 31 IPS, IWRC IS 28,300 LBS. PER LINE.

MAXIMUM BOOM AND JIB LENGTHS LIFTED UNASSISTED			
OVER END OF CRAWLERS		OVER SIDE OF EXTENDED CRAWLERS	
BM. LGTH.	JIB NO. 123	BM. LGTH.	JIB NO. 123
260'	---	260'	---
250'	---	250'	---
240'	40'	240'	40'
230'	60'	230'	60'

LOAD BLOCK, HOOK AND WEIGHT BALL ON GROUND AT START.

30 FOOT JIB

BOOM LGTH. FEET	JIB OPER. RAD. FEET	0 DEGREE OFFSET			10 DEGREE OFFSET			20 DEGREE OFFSET			JIB OPER. RAD. FEET
		BOOM ANG. DEG.	JIB POINT ELEV. FEET	CAPACITY POUNDS	BOOM ANG. DEG.	JIB POINT ELEV. FEET	CAPACITY POUNDS	BOOM ANG. DEG.	JIB POINT ELEV. FEET	CAPACITY POUNDS	
110	35	80.2	147.3	40,000*							35
	40	78.2	146.1	40,000*	80.2	145.4	40,000*				40
	45	76.1	144.7	40,000*	78.1	144.0	40,000*	80.0	142.5	40,000*	45
	50	74.0	143.1	40,000*	76.0	142.4	40,000*	77.9	140.9	40,000*	50
	55	71.9	141.3	40,000*	73.8	140.6	40,000*	75.7	139.1	40,000*	55
	60	69.7	139.3	40,000*	71.7	138.6	40,000*	73.5	137.0	40,000*	60
	65	67.6	137.0	40,000*	69.5	136.3	40,000*	71.3	134.8	40,000*	65
	70	65.3	134.6	40,000*	67.3	133.8	40,000*	69.0	132.2	38,800*	70
	75	63.1	131.9	40,000*	65.0	131.1	40,000*	66.7	129.5	37,500*	75
	80	60.7	128.9	40,000*	62.6	128.1	40,000*	64.3	126.4	36,200*	80
	90	55.9	122.0	40,000*	57.8	121.2	40,000*	59.4	119.5	34,100*	90
	100	50.7	113.8	40,000*	52.6	113.0	37,500*				100
110	45.1	103.9	36,400	46.9	103.0	35,100*				110	
120	38.8	91.7	32,100							120	
120	40	79.0	156.4	40,000*							40
	45	77.0	155.1	40,000*	78.9	154.4	40,000*				45
	50	75.1	153.6	40,000*	76.9	152.9	40,000*	78.7	151.4	40,000*	50
	55	73.1	151.9	40,000*	75.0	151.2	40,000*	76.7	149.7	40,000*	55
	60	71.1	150.1	40,000*	73.0	149.3	40,000*	74.7	147.8	40,000*	60
	65	69.1	148.0	40,000*	70.9	147.3	40,000*	72.6	145.7	40,000*	65
	70	67.1	145.7	40,000*	68.9	145.0	40,000*	70.5	143.4	39,800*	70
	75	65.0	143.2	40,000*	66.8	142.5	40,000*	68.4	140.8	38,400*	75
	80	62.9	140.5	40,000*	64.6	139.7	40,000*	66.3	138.1	37,200*	80
	90	58.5	134.3	40,000*	60.2	133.5	40,000*	61.8	131.7	35,000*	90
	100	53.8	126.9	40,000*	55.6	126.1	39,000*	57.0	124.2	33,200*	100
	110	48.9	118.2	35,800	50.6	117.3	36,100				110
120	43.5	107.7	31,500							120	
130	37.4	94.9	27,900							130	

LIFT CRANE JIB CAPACITIES

MEETS
ANSI B30.5
REQUIREMENTS

4100W SERIES 2

JIB NO. 123 WITH 12' 6" STRUT ON
BOOM NO. 22C WITH OPEN THROAT TOP
OFFSET 4-1/2 DEGREES - 146,400 LB. CRANE COUNTERWEIGHT
60,000 LB. CARBODY COUNTERWEIGHT
26' 6" CRAWLERS EXTENDED

30 FOOT JIB

BOOM LGTH. FEET	JIB OPER. RAD. FEET	0 DEGREE OFFSET			10 DEGREE OFFSET			20 DEGREE OFFSET			JIB OPER. RAD. FEET
		BOOM ANG. DEG.	JIB POINT ELEV. FEET	CAPACITY POUNDS	BOOM ANG. DEG.	JIB POINT ELEV. FEET	CAPACITY POUNDS	BOOM ANG. DEG.	JIB POINT ELEV. FEET	CAPACITY POUNDS	
130	40	79.6	166.6	40,000*							40
	45	77.8	165.4	40,000*	79.6	164.7	40,000*				45
	50	76.0	164.0	40,000*	77.8	163.3	40,000*	79.4	161.8	40,000*	50
	55	74.2	162.5	40,000*	75.9	161.7	40,000*	77.6	160.2	40,000*	55
	60	72.3	160.7	40,000*	74.1	160.0	40,000*	75.7	158.4	40,000*	60
	65	70.5	158.8	40,000*	72.2	158.1	40,000*	73.8	156.5	40,000*	65
	70	68.6	156.7	40,000*	70.3	156.0	40,000*	71.8	154.3	40,000*	70
	75	66.6	154.4	40,000*	68.3	153.6	40,000*	69.9	152.0	39,300*	75
	80	64.7	151.9	40,000*	66.4	151.1	40,000*	67.9	149.4	38,100*	80
	90	60.6	146.2	40,000*	62.3	145.4	40,000*	63.8	143.6	35,900*	90
	100	56.4	139.5	40,000*	58.1	138.6	40,000*	59.5	136.8	34,100*	100
	110	52.0	131.6	35,400	53.6	130.7	35,800				110
	120	47.2	122.4	31,100	48.8	121.4	31,400				120
130	42.0	111.4	27,500							130	
140	40	80.3	176.8	40,000*							40
	45	78.6	175.7	40,000*	80.2	175.0	40,000*				45
	50	76.9	174.4	40,000*	78.5	173.7	40,000*	80.1	172.1	40,000*	50
	55	75.1	173.0	40,000*	76.8	172.2	40,000*	78.3	170.6	40,000*	55
	60	73.4	171.3	40,000*	75.0	170.6	40,000*	76.6	169.0	40,000*	60
	65	71.7	169.5	40,000*	73.3	168.8	40,000*	74.8	167.2	40,000*	65
	70	69.9	167.6	40,000*	71.5	166.8	40,000*	73.0	165.2	40,000*	70
	75	68.1	165.4	40,000*	69.7	164.6	40,000*	71.2	163.0	40,000*	75
	80	66.3	163.1	40,000*	67.8	162.3	40,000*	69.3	160.6	38,900*	80
	90	62.5	157.8	40,000*	64.1	157.0	40,000*	65.5	155.3	36,800*	90
	100	58.7	151.7	39,900	60.2	150.8	40,000*	61.6	149.0	34,900*	100
	110	54.6	144.5	34,700	56.1	143.6	35,200	57.4	141.7	33,300*	110
	120	50.3	136.2	30,500	51.8	135.2	30,800				120
130	45.7	126.4	26,900	47.1	125.4	27,200				130	
140	40.7	114.9	23,900							140	
150	45	79.2	186.0	40,000*							45
	50	77.6	184.7	40,000*	79.1	184.0	40,000*				50
	55	76.0	183.4	40,000*	77.5	182.6	40,000*	79.0	181.0	40,000*	55
	60	74.3	181.9	40,000*	75.9	181.1	40,000*	77.3	179.5	40,000*	60
	65	72.7	180.2	40,000*	74.2	179.4	40,000*	75.7	177.8	40,000*	65
	70	71.0	178.3	40,000*	72.5	177.5	40,000*	74.0	175.9	40,000*	70
	75	69.4	176.3	40,000*	70.9	175.5	40,000*	72.3	173.9	40,000*	75
	80	67.7	174.1	40,000*	69.1	173.3	40,000*	70.5	171.7	39,700*	80
	90	64.2	169.2	40,000*	65.7	168.4	40,000*	67.0	166.7	37,600*	90
	100	60.6	163.5	39,400	62.0	162.6	40,000*	63.4	160.9	35,700*	100
	110	56.8	156.9	34,200	58.3	156.0	34,700	59.5	154.1	34,100*	110
	120	52.9	149.3	29,900	54.3	148.4	30,300				120
	130	48.8	140.5	26,400	50.2	139.5	26,700				130
140	44.3	130.3	23,300							140	
150	39.4	118.3	20,700							150	
160	45	79.8	196.2	40,000*							45
	50	78.2	195.1	40,000*	79.7	194.3	40,000*				50
	55	76.7	193.8	40,000*	78.2	193.0	40,000*	79.6	191.4	40,000*	55
	60	75.2	192.3	40,000*	76.6	191.5	40,000*	78.0	189.9	40,000*	60
	65	73.6	190.7	40,000*	75.1	190.0	40,000*	76.4	188.3	40,000*	65
	70	72.1	189.0	40,000*	73.5	188.2	40,000*	74.9	186.6	40,000*	70
	75	70.5	187.1	40,000*	71.9	186.3	40,000*	73.3	184.7	40,000*	75
	80	68.9	185.1	40,000*	70.3	184.2	40,000*	71.6	182.6	40,000*	80
	90	65.6	180.4	40,000*	67.0	179.6	40,000*	68.3	177.9	38,300*	90
	100	62.3	175.1	38,800	63.7	174.3	39,400	64.9	172.5	36,400*	100
	110	58.8	169.0	33,600	60.2	168.1	34,100	61.4	166.3	34,600	110
	120	55.2	162.0	29,300	56.5	161.1	29,800	57.7	159.1	30,200	120
	130	51.4	154.0	25,700	52.7	153.0	26,100				130
140	47.4	144.8	22,700	48.7	143.7	23,000				140	
150	43.0	134.1	20,100							150	
160	38.3	121.6	17,800							160	

LIFT CRANE JIB CAPACITIES

MEETS
ANSI B30.5
REQUIREMENTS

4100W SERIES 2

JIB NO. 123 WITH 12' 6" STRUT ON
BOOM NO. 22C WITH OPEN THROAT TOP
OFFSET 4-1/2 DEGREES - 146,400 LB. CRANE COUNTERWEIGHT
60,000 LB. CARBODY COUNTERWEIGHT
26' 6" CRAWLERS EXTENDED

30 FOOT JIB

BOOM LGTH. FEET	JIB OPER. RAD. FEET	0 DEGREE OFFSET			10 DEGREE OFFSET			20 DEGREE OFFSET			JIB OPER. RAD. FEET
		BOOM ANG. DEG.	JIB POINT ELEV. FEET	CAPACITY POUNDS	BOOM ANG. DEG.	JIB POINT ELEV. FEET	CAPACITY POUNDS	BOOM ANG. DEG.	JIB POINT ELEV. FEET	CAPACITY POUNDS	
170	45	80.3	206.4	40,000*							45
	50	78.8	205.3	40,000*	80.2	204.6	40,000*				50
	55	77.4	204.1	40,000*	78.8	203.3	40,000*	80.1	201.7	40,000*	55
	60	75.9	202.7	40,000*	77.3	202.0	40,000*	78.6	200.3	40,000*	60
	65	74.5	201.2	40,000*	75.8	200.4	40,000*	77.1	198.8	40,000*	65
	70	73.0	199.6	40,000*	74.4	198.8	40,000*	75.6	197.1	40,000*	70
	75	71.5	197.8	40,000*	72.9	197.0	40,000*	74.1	195.3	40,000*	75
	80	70.0	195.9	40,000*	71.3	195.1	40,000*	72.6	193.4	40,000*	80
	90	66.9	191.5	40,000*	68.3	190.7	40,000*	69.5	189.0	39,000*	90
	100	63.8	186.5	38,500	65.1	185.7	39,100	66.3	183.9	37,100*	100
	110	60.5	180.8	33,200	61.8	179.9	33,800	63.0	178.1	34,300	110
	120	57.2	174.3	29,000	58.5	173.4	29,400	59.6	171.5	29,900	120
	130	53.7	166.9	25,400	54.9	166.0	25,800				130
	140	50.0	158.5	22,400	51.2	157.5	22,700				140
	150	46.1	148.9	19,700	47.3	147.8	20,000				150
	160	41.9	137.8	17,500							160
	170	37.3	124.9	15,500							170
180	50	79.4	215.6	40,000*							50
	55	78.0	214.4	40,000*	79.3	213.6	40,000*	80.6	212.0	40,000*	55
	60	76.6	213.1	40,000*	77.9	212.3	40,000*	79.2	210.7	40,000*	60
	65	75.2	211.7	40,000*	76.5	210.9	40,000*	77.8	209.2	40,000*	65
	70	73.8	210.1	40,000*	75.1	209.3	40,000*	76.4	207.7	40,000*	70
	75	72.4	208.4	40,000*	73.7	207.6	40,000*	74.9	206.0	40,000*	75
	80	71.0	206.6	40,000*	72.3	205.8	40,000*	73.5	204.1	40,000*	80
	90	68.1	202.5	40,000*	69.3	201.7	40,000*	70.5	199.9	39,700*	90
	100	65.1	197.8	37,900	66.4	196.9	38,600	67.5	195.2	37,800*	100
	110	62.1	192.4	32,700	63.3	191.5	33,200	64.4	189.7	33,800	110
	120	58.9	186.3	28,400	60.2	185.4	28,900	61.3	183.5	29,300	120
	130	55.7	179.5	24,800	56.9	178.5	25,200	57.9	176.6	25,600	130
	140	52.3	171.7	21,800	53.5	170.7	22,100				140
	150	48.7	162.9	19,100	49.9	161.8	19,500				150
160	44.9	152.9	16,900							160	
170	40.8	141.4	14,900							170	
190	50	79.9	225.8	40,000*							50
	55	78.5	224.7	40,000*	79.8	223.9	40,000*				55
	60	77.2	223.5	40,000*	78.5	222.7	40,000*	79.7	221.0	40,000*	60
	65	75.9	222.1	40,000*	77.2	221.3	40,000*	78.3	219.6	40,000*	65
	70	74.6	220.6	40,000*	75.8	219.8	40,000*	77.0	218.1	40,000*	70
	75	73.2	219.0	40,000*	74.5	218.2	40,000*	75.6	216.5	40,000*	75
	80	71.9	217.3	40,000*	73.1	216.4	40,000*	74.3	214.7	40,000*	80
	90	69.1	213.4	40,000*	70.3	212.5	40,000*	71.5	210.8	40,000*	90
	100	66.3	208.9	37,400	67.5	208.1	38,100	68.6	206.3	38,500*	100
	110	63.4	203.9	32,100	64.6	203.0	32,700	65.7	201.2	33,300	110
	120	60.5	198.1	27,800	61.7	197.2	28,400	62.7	195.4	28,900	120
	130	57.4	191.7	24,300	58.6	190.8	24,700	59.6	188.8	25,200	130
	140	54.3	184.5	21,200	55.4	183.5	21,600				140
	150	51.0	176.3	18,600	52.1	175.3	19,000				150
160	47.5	167.2	16,300	48.6	166.1	16,700				160	
170	43.8	156.8	14,400							170	
180	39.8	144.9	12,600							180	

LIFT CRANE JIB CAPACITIES

MEETS
ANSI B30.5
REQUIREMENTS

4100W SERIES 2

JIB NO. 123 WITH 12' 6" STRUT ON
BOOM NO. 22C WITH OPEN THROAT TOP
OFFSET 4-1/2 DEGREES - 146,400 LB. CRANE COUNTERWEIGHT
60,000 LB. CARBODY COUNTERWEIGHT
26' 6" CRAWLERS EXTENDED

30 FOOT JIB

BOOM LGTH. FEET	JIB OPER. RAD. FEET	0 DEGREE OFFSET			10 DEGREE OFFSET			20 DEGREE OFFSET			JIB OPER. RAD. FEET
		BOOM ANG. DEG.	JIB POINT ELEV. FEET	CAPACITY POUNDS	BOOM ANG. DEG.	JIB POINT ELEV. FEET	CAPACITY POUNDS	BOOM ANG. DEG.	JIB POINT ELEV. FEET	CAPACITY POUNDS	
200	50	80.3	236.0	40,000*							50
	55	79.0	234.9	40,000*	80.3	234.1	40,000*				55
	60	77.8	233.8	40,000*	79.0	233.0	40,000*	80.1	231.3	40,000*	60
	65	76.5	232.5	40,000*	77.7	231.7	40,000*	78.9	230.0	40,000*	65
	70	75.2	231.1	40,000*	76.4	230.2	40,000*	77.6	228.6	40,000*	70
	75	74.0	229.5	40,000*	75.2	228.7	40,000*	76.3	227.0	40,000*	75
	80	72.7	227.9	40,000*	73.9	227.0	40,000*	75.0	225.3	40,000*	80
	90	70.0	224.2	40,000*	71.2	223.3	40,000*	72.3	221.6	40,000*	90
	100	67.4	219.9	36,800	68.6	219.1	37,500	69.6	217.3	38,200	100
	110	64.7	215.1	31,500	65.8	214.3	32,200	66.9	212.5	32,800	110
	120	61.9	209.7	27,200	63.0	208.8	27,800	64.0	207.0	28,400	120
	130	59.0	203.7	23,700	60.1	202.7	24,200	61.1	200.8	24,600	130
	140	56.0	196.9	20,600	57.2	195.9	21,100	58.1	194.0	21,500	140
	150	53.0	189.3	18,000	54.1	188.3	18,400				150
	160	49.7	180.8	15,700	50.8	179.8	16,100				160
	170	46.4	171.3	13,800	47.4	170.2	14,100				170
	180	42.8	160.6	12,000							180
	190	38.9	148.3	10,400							190
	210	55	79.5	245.2	40,000*	80.7	244.4	40,000*			
60		78.3	244.1	40,000*	79.5	243.2	40,000*	80.6	241.6	40,000*	60
65		77.1	242.8	40,000*	78.2	242.0	40,000*	79.3	240.3	40,000*	65
70		75.9	241.5	40,000*	77.0	240.6	40,000*	78.1	239.0	40,000*	70
75		74.6	240.0	40,000*	75.8	239.2	40,000*	76.9	237.5	40,000*	75
80		73.4	238.4	40,000*	74.5	237.6	40,000*	75.6	235.9	40,000*	80
90		70.9	234.9	40,000*	72.0	234.0	40,000*	73.1	232.3	40,000*	90
100		68.4	230.9	36,400	69.5	230.0	37,200	70.5	228.2	37,900	100
110		65.8	226.3	31,200	66.9	225.4	31,800	67.9	223.6	32,500	110
120		63.1	221.2	26,900	64.2	220.3	27,500	65.2	218.4	28,000	120
130		60.4	215.5	23,300	61.5	214.5	23,800	62.5	212.6	24,300	130
140		57.6	209.1	20,200	58.7	208.1	20,700	59.7	206.2	21,100	140
150		54.8	202.0	17,600	55.8	201.0	18,000				150
160	51.8	194.1	15,400	52.8	193.0	15,700				160	
170	48.6	185.2	13,400	49.7	184.2	13,700				170	
180	45.3	175.4	11,600							180	
190	41.8	164.3	10,000							190	
200	38.0	151.6	8,600							200	
220	55	79.9	255.4	40,000*							55
	60	78.8	254.3	40,000*	79.9	253.5	40,000*				60
	65	77.6	253.1	40,000*	78.7	252.3	40,000*	79.8	250.6	40,000*	65
	70	76.4	251.8	40,000*	77.5	251.0	40,000*	78.6	249.3	40,000*	70
	75	75.3	250.4	40,000*	76.4	249.6	40,000*	77.4	247.9	40,000*	75
	80	74.1	248.9	40,000*	75.2	248.1	40,000*	76.2	246.4	40,000*	80
	90	71.7	245.5	40,000*	72.8	244.7	40,000*	73.8	243.0	40,000*	90
	100	69.3	241.7	35,800	70.4	240.8	36,700	71.4	239.1	37,400	100
	110	66.8	237.4	30,600	67.9	236.5	31,300	68.9	234.7	32,000	110
	120	64.3	232.5	26,300	65.4	231.6	26,900	66.3	229.7	27,500	120
	130	61.7	227.1	22,700	62.8	226.1	23,300	63.7	224.2	23,800	130
	140	59.1	221.0	19,700	60.1	220.1	20,200	61.0	218.1	20,600	140
	150	56.4	214.3	17,000	57.4	213.3	17,500	58.3	211.3	17,900	150
160	53.6	206.9	14,800	54.6	205.9	15,200				160	
170	50.6	198.7	12,800	51.6	197.6	13,100				170	
180	47.6	189.5	11,000	48.5	188.4	11,300				180	
190	44.3	179.3	9,500							190	
200	40.9	167.9	8,000*							200	
210	37.2	154.9	6,500*							210	

LIFT CRANE JIB CAPACITIES

MEETS
ANSI B30.5
REQUIREMENTS

4100W SERIES 2

JIB NO. 123 WITH 12' 6" STRUT ON
BOOM NO. 22C WITH OPEN THROAT TOP
OFFSET 4-1/2 DEGREES - 146,400 LB. CRANE COUNTERWEIGHT
60,000 LB. CARBODY COUNTERWEIGHT
26' 6" CRAWLERS EXTENDED

30 FOOT JIB

BOOM LGTH. FEET	JIB OPER. RAD. FEET	0 DEGREE OFFSET			10 DEGREE OFFSET			20 DEGREE OFFSET			JIB OPER. RAD. FEET	
		BOOM ANG. DEG.	JIB POINT ELEV. FEET	CAPACITY POUNDS	BOOM ANG. DEG.	JIB POINT ELEV. FEET	CAPACITY POUNDS	BOOM ANG. DEG.	JIB POINT ELEV. FEET	CAPACITY POUNDS		
230	55	80.3	265.6	40,000*							55	
	60	79.2	264.5	40,000*	80.3	263.7	40,000*				60	
	65	78.1	263.4	40,000*	79.2	262.6	40,000*	80.2	260.9	40,000*	65	
	70	77.0	262.2	40,000*	78.0	261.3	40,000*	79.0	259.6	40,000*	70	
	75	75.8	260.8	40,000*	76.9	260.0	40,000*	77.9	258.3	40,000*	75	
	80	74.7	259.4	40,000*	75.8	258.5	40,000*	76.8	256.8	40,000*	80	
	90	72.4	256.1	40,000*	73.5	255.3	40,000*	74.5	253.5	40,000*	90	
	100	70.1	252.5	35,300	71.1	251.6	36,200	72.1	249.8	37,000	100	
	110	67.8	248.3	30,100	68.8	247.4	30,800	69.7	245.6	31,500	110	
	120	65.4	243.7	25,800	66.4	242.8	26,400	67.3	240.9	27,000	120	
	130	62.9	238.5	22,200	63.9	237.6	22,800	64.8	235.7	23,300	130	
	140	60.4	232.8	19,100	61.4	231.8	19,700	62.3	229.9	20,100	140	
	150	57.8	226.4	16,500	58.8	225.5	17,000	59.7	223.5	17,400	150	
	160	55.2	219.4	14,200	56.2	218.4	14,700	57.0	216.4	15,000	160	
	170	52.4	211.7	12,200	53.4	210.7	12,600				170	
	180	49.6	203.2	10,500	50.5	202.1	10,800				180	
	190	46.6	193.7	8,900	47.5	192.6	9,200				190	
	200	43.4	183.2	7,300*							200	
	210	40.1	171.4	5,800*							210	
	240	55	80.7	275.8	40,000*							55
		60	79.6	274.8	40,000*	80.6	273.9	40,000*				60
65		78.5	273.7	40,000*	79.6	272.8	40,000*	80.5	271.1	40,000*	65	
70		77.5	272.5	40,000*	78.5	271.6	40,000*	79.5	269.9	40,000*	70	
75		76.4	271.2	40,000*	77.4	270.3	40,000*	78.4	268.6	40,000*	75	
80		75.3	269.8	40,000*	76.3	268.9	40,000*	77.3	267.2	40,000*	80	
90		73.1	266.7	40,000*	74.1	265.8	40,000*	75.1	264.1	40,000*	90	
100		70.9	263.2	34,800	71.9	262.3	35,700	72.8	260.5	36,500	100	
110		68.6	259.2	29,600	69.6	258.3	30,300	70.5	256.5	31,100	110	
120		66.3	254.8	25,300	67.3	253.9	25,900	68.2	252.0	26,600	120	
130		64.0	249.8	21,600	65.0	248.9	22,300	65.9	247.0	22,800	130	
140		61.6	244.4	18,600	62.6	243.4	19,200	63.4	241.5	19,600	140	
150		59.2	238.3	16,000	60.1	237.4	16,500	61.0	235.4	16,900	150	
160		56.6	231.7	13,700	57.6	230.7	14,100	58.4	228.7	14,500	160	
170		54.1	224.4	11,700	55.0	223.4	12,100				170	
180		51.4	216.4	9,900	52.3	215.4	10,300				180	
190		48.6	207.6	8,300*	49.5	206.5	8,700*				190	
200		45.6	197.8	6,600*	46.5	196.7	7,000*				200	
210		42.6	187.0	5,000*							210	

LIFTCRANE JIB CAPACITIES

MEETS
ANSI B30.5
REQUIREMENTS

4100W SERIES 2

JIB NO. 123 WITH 12'6" STRUT ON
BOOM NO. 22C WITH OPEN THROAT TOP
OFFSET 4-1/2 DEGREES - 146,400 LB. CRANE COUNTERWEIGHT
60,000 LB. CARBODY COUNTERWEIGHT
26'6" CRAWLERS EXTENDED

40 FOOT JIB

BOOM LGTH. FEET	JIB OPER. RAD. FEET	0 DEGREE OFFSET			10 DEGREE OFFSET			20 DEGREE OFFSET			JIB OPER. RAD. FEET
		BOOM ANG. DEG.	JIB POINT ELEV. FEET	CAPACITY POUNDS	BOOM ANG. DEG.	JIB POINT ELEV. FEET	CAPACITY POUNDS	BOOM ANG. DEG.	JIB POINT ELEV. FEET	CAPACITY POUNDS	
110	40	79.5	156.3	30,000*							40
	45	77.5	155.0	30,000*	80.0	154.1	30,000*				45
	50	75.6	153.6	30,000*	78.0	152.7	30,000*	80.5	150.8	30,000*	50
	55	73.6	151.9	30,000*	76.1	151.0	30,000*	78.4	149.1	30,000*	55
	60	71.6	150.0	30,000*	74.1	149.1	30,000*	76.4	147.2	30,000*	60
	65	69.6	148.0	30,000*	72.0	147.0	30,000*	74.4	145.1	30,000*	65
	70	67.6	145.7	30,000*	70.0	144.8	30,000*	72.3	142.7	30,000*	70
	75	65.5	143.2	30,000*	67.9	142.2	30,000*	70.1	140.2	29,100*	75
	80	63.4	140.5	30,000*	65.7	139.5	30,000*	68.0	137.4	28,100*	80
	90	59.0	134.3	30,000*	61.3	133.2	30,000*	63.5	131.0	26,300*	90
	100	54.3	126.9	30,000*	56.6	125.8	29,200*	58.7	123.5	24,800*	100
	110	49.4	118.2	30,000*	51.6	117.0	27,200*				110
	120	44.0	107.7	28,800*							120
130	37.9	94.9	26,700*							130	
120	40	80.1	166.6	30,000*							40
	45	78.3	165.4	30,000*							45
	50	76.5	164.0	30,000*	78.8	163.1	30,000*				50
	55	74.7	162.4	30,000*	77.0	161.5	30,000*	79.2	159.5	30,000*	55
	60	72.8	160.7	30,000*	75.1	159.8	30,000*	77.3	157.8	30,000*	60
	65	70.9	158.8	30,000*	73.2	157.8	30,000*	75.4	155.8	30,000*	65
	70	69.0	156.7	30,000*	71.3	155.7	30,000*	73.5	153.7	30,000*	70
	75	67.1	154.4	30,000*	69.4	153.4	30,000*	71.5	151.3	29,800*	75
	80	65.1	151.9	30,000*	67.4	150.9	30,000*	69.5	148.8	28,800*	80
	90	61.1	146.2	30,000*	63.3	145.1	30,000*	65.4	142.9	27,000*	90
	100	56.9	139.5	30,000*	59.1	138.4	30,000*	61.0	136.0	25,500*	100
	110	52.4	131.6	30,000*	54.6	130.4	28,300*				110
	120	47.7	122.4	30,000*	49.8	121.1	26,600*				120
130	42.5	111.3	28,200*							130	
140	36.6	97.9	25,300							140	
130	45	79.0	175.7	30,000*							45
	50	77.3	174.4	30,000*	79.5	173.4	30,000*				50
	55	75.6	172.9	30,000*	77.8	172.0	30,000*	79.9	170.0	30,000*	55
	60	73.8	171.3	30,000*	76.0	170.3	30,000*	78.1	168.3	30,000*	60
	65	72.1	169.5	30,000*	74.2	168.5	30,000*	76.3	166.5	30,000*	65
	70	70.3	167.5	30,000*	72.5	166.6	30,000*	74.5	164.5	30,000*	70
	75	68.5	165.4	30,000*	70.6	164.4	30,000*	72.7	162.3	30,000*	75
	80	66.7	163.1	30,000*	68.8	162.0	30,000*	70.8	159.9	29,400*	80
	90	63.0	157.8	30,000*	65.1	156.7	30,000*	67.0	154.5	27,600*	90
	100	59.1	151.6	30,000*	61.2	150.5	30,000*	63.0	148.2	26,100*	100
	110	55.0	144.5	30,000*	57.1	143.3	29,300*	58.9	140.9	24,800*	110
	120	50.7	136.1	30,000*	52.7	134.9	27,600*				120
	130	46.1	126.4	27,900	48.1	125.1	26,100*				130
140	41.1	114.9	24,900							140	
140	45	79.6	185.9	30,000*							45
	50	78.0	184.7	30,000*	80.1	183.7	30,000*				50
	55	76.4	183.3	30,000*	78.4	182.4	30,000*	80.4	180.3	30,000*	55
	60	74.8	181.8	30,000*	76.8	180.8	30,000*	78.8	178.8	30,000*	60
	65	73.1	180.1	30,000*	75.1	179.1	30,000*	77.1	177.1	30,000*	65
	70	71.4	178.3	30,000*	73.5	177.3	30,000*	75.4	175.2	30,000*	70
	75	69.8	176.3	30,000*	71.8	175.3	30,000*	73.7	173.1	30,000*	75
	80	68.1	174.1	30,000*	70.1	173.1	30,000*	72.0	170.9	30,000*	80
	90	64.6	169.2	30,000*	66.6	168.1	30,000*	68.4	165.9	28,200*	90
	100	61.0	163.5	30,000*	62.9	162.4	30,000*	64.7	160.1	26,700*	100
	110	57.2	156.9	30,000*	59.2	155.7	30,000*	60.9	153.3	25,400*	110
	120	53.3	149.3	30,000*	55.2	148.1	28,600*	56.9	145.5	24,300*	120
	130	49.2	140.5	27,300	51.0	139.2	27,000*				130
140	44.7	130.3	24,300	46.5	128.9	24,600				140	
150	39.8	118.3	21,600							150	

LIFTCRANE JIB CAPACITIES

MEETS
ANSI B30.5
REQUIREMENTS

4100W SERIES 2

JIB NO. 123 WITH 12' 6" STRUT ON
BOOM NO. 22C WITH OPEN THROAT TOP
OFFSET 4-1/2 DEGREES - 146,400 LB. CRANE COUNTERWEIGHT
60,000 LB. CARBODY COUNTERWEIGHT
26' 6" CRAWLERS EXTENDED

40 FOOT JIB

BOOM LGTH. FEET	JIB OPER. RAD. FEET	0 DEGREE OFFSET			10 DEGREE OFFSET			20 DEGREE OFFSET			JIB OPER. RAD. FEET
		BOOM ANG. DEG.	JIB POINT ELEV. FEET	CAPACITY POUNDS	BOOM ANG. DEG.	JIB POINT ELEV. FEET	CAPACITY POUNDS	BOOM ANG. DEG.	JIB POINT ELEV. FEET	CAPACITY POUNDS	
150	45	80.2	196.2	30,000*							45
	50	78.6	195.0	30,000*	80.6	194.0	30,000*				50
	55	77.1	193.7	30,000*	79.1	192.7	30,000*				55
	60	75.6	192.3	30,000*	77.5	191.3	30,000*	79.4	189.2	30,000*	60
	65	74.0	190.7	30,000*	76.0	189.7	30,000*	77.8	187.6	30,000*	65
	70	72.5	189.0	30,000*	74.4	187.9	30,000*	76.2	185.8	30,000*	70
	75	70.9	187.1	30,000*	72.8	186.0	30,000*	74.6	183.9	30,000*	75
	80	69.3	185.0	30,000*	71.2	184.0	30,000*	73.0	181.8	30,000*	80
	90	66.0	180.4	30,000*	67.9	179.3	30,000*	69.7	177.1	28,800*	90
	100	62.7	175.1	30,000*	64.5	174.0	30,000*	66.2	171.7	27,300*	100
	110	59.2	169.0	30,000*	61.0	167.8	30,000*	62.7	165.4	26,000*	110
	120	55.6	162.0	30,000*	57.4	160.7	29,500*	59.0	158.3	24,900*	120
	130	51.8	153.9	26,700	53.6	152.7	27,200				130
	140	47.8	144.7	23,700	49.5	143.4	24,100				140
	150	43.4	134.1	21,100							150
	160	38.7	121.6	18,800							160
160	50	79.2	205.3	30,000*							50
	55	77.8	204.1	30,000*	79.6	203.0	30,000*				55
	60	76.3	202.7	30,000*	78.2	201.7	30,000*	79.9	199.6	30,000*	60
	65	74.8	201.2	30,000*	76.7	200.2	30,000*	78.5	198.0	30,000*	65
	70	73.4	199.6	30,000*	75.2	198.5	30,000*	76.9	196.4	30,000*	70
	75	71.9	197.8	30,000*	73.7	196.7	30,000*	75.4	194.6	30,000*	75
	80	70.3	195.8	30,000*	72.2	194.8	30,000*	73.9	192.6	30,000*	80
	90	67.3	191.5	30,000*	69.1	190.4	30,000*	70.8	188.2	29,300*	90
	100	64.1	186.5	30,000*	65.9	185.4	30,000*	67.6	183.1	27,800*	100
	110	60.9	180.8	30,000*	62.6	179.6	30,000*	64.3	177.2	26,500*	110
	120	57.5	174.3	29,700	59.3	173.1	30,000*	60.8	170.6	25,400*	120
	130	54.0	166.9	26,100	55.7	165.6	26,700	57.2	163.0	24,400*	130
140	50.3	158.5	23,100	52.0	157.1	23,500				140	
150	46.4	148.8	20,500	48.1	147.4	20,900				150	
160	42.2	137.8	18,200							160	
170	37.6	124.8	16,200							170	
170	50	79.7	215.5	30,000*							50
	55	78.3	214.4	30,000*	80.1	213.3	30,000*				55
	60	77.0	213.1	30,000*	78.7	212.0	30,000*	80.4	209.9	30,000*	60
	65	75.6	211.6	30,000*	77.3	210.6	30,000*	79.0	208.5	30,000*	65
	70	74.2	210.1	30,000*	75.9	209.0	30,000*	77.6	206.9	30,000*	70
	75	72.7	208.4	30,000*	74.5	207.3	30,000*	76.2	205.2	30,000*	75
	80	71.3	206.6	30,000*	73.1	205.5	30,000*	74.7	203.3	30,000*	80
	90	68.4	202.5	30,000*	70.1	201.4	30,000*	71.8	199.1	29,800*	90
	100	65.5	197.8	30,000*	67.2	196.6	30,000*	68.7	194.3	28,400*	100
	110	62.4	192.4	30,000*	64.1	191.2	30,000*	65.6	188.9	27,100*	110
	120	59.3	186.3	29,400	60.9	185.1	30,000*	62.4	182.6	25,900*	120
	130	56.0	179.4	25,800	57.6	178.2	26,300	59.1	175.6	24,900*	130
	140	52.6	171.6	22,700	54.2	170.3	23,200				140
	150	49.0	162.8	20,100	50.6	161.5	20,500				150
160	45.2	152.8	17,800	46.8	151.4	18,200				160	
170	41.1	141.3	15,900							170	
180	36.7	127.9	14,100							180	

LIFT CRANE JIB CAPACITIES

MEETS
ANSI B30.5
REQUIREMENTS

4100W SERIES 2

JIB NO. 123 WITH 12' 6" STRUT ON
BOOM NO. 22C WITH OPEN THROAT TOP
OFFSET 4-1/2 DEGREES - 146,400 LB. CRANE COUNTERWEIGHT
60,000 LB. CARBODY COUNTERWEIGHT
26' 6" CRAWLERS EXTENDED

40 FOOT JIB

BOOM LGTH. FEET	JIB OPER. RAD. FEET	0 DEGREE OFFSET			10 DEGREE OFFSET			20 DEGREE OFFSET			JIB OPER. RAD. FEET
		BOOM ANG. DEG.	JIB POINT ELEV. FEET	CAPACITY POUNDS	BOOM ANG. DEG.	JIB POINT ELEV. FEET	CAPACITY POUNDS	BOOM ANG. DEG.	JIB POINT ELEV. FEET	CAPACITY POUNDS	
180	50	80.2	225.8	30,000*							50
	55	78.9	224.6	30,000*	80.6	223.6	30,000*				55
	60	77.6	223.4	30,000*	79.2	222.4	30,000*				60
	65	76.2	222.1	30,000*	77.9	221.0	30,000*	79.5	218.8	30,000*	65
	70	74.9	220.6	30,000*	76.6	219.5	30,000*	78.2	217.3	30,000*	70
	75	73.6	219.0	30,000*	75.2	217.9	30,000*	76.8	215.7	30,000*	75
	80	72.2	217.2	30,000*	73.9	216.1	30,000*	75.4	213.9	30,000*	80
	90	69.4	213.3	30,000*	71.1	212.2	30,000*	72.6	210.0	30,000*	90
	100	66.6	208.9	30,000*	68.3	207.8	30,000*	69.8	205.4	28,800*	100
	110	63.8	203.8	30,000*	65.4	202.7	30,000*	66.9	200.3	27,500*	110
	120	60.8	198.1	28,800	62.4	196.9	29,500	63.9	194.5	26,400*	120
	130	57.8	191.6	25,200	59.3	190.4	25,800	60.7	187.9	25,400*	130
	140	54.6	184.4	22,100	56.1	183.1	22,700	57.5	180.5	23,100	140
	150	51.3	176.3	19,500	52.8	174.9	20,000				150
	160	47.8	167.1	17,200	49.3	165.7	17,600				160
	170	44.1	156.7	15,300							170
	180	40.1	144.8	13,500							180
	190	50	80.6	236.0	30,000*						
55		79.4	234.9	30,000*							55
60		78.1	233.7	30,000*	79.7	232.7	30,000*				60
65		76.8	232.4	30,000*	78.4	231.4	30,000*	80.0	229.2	30,000*	65
70		75.6	231.0	30,000*	77.2	229.9	30,000*	78.7	227.7	30,000*	70
75		74.3	229.5	30,000*	75.9	228.4	30,000*	77.4	226.2	30,000*	75
80		73.0	227.8	30,000*	74.6	226.7	30,000*	76.1	224.5	30,000*	80
90		70.4	224.1	30,000*	72.0	223.0	30,000*	73.4	220.7	30,000*	90
100		67.7	219.9	30,000*	69.3	218.8	30,000*	70.7	216.4	29,300*	100
110		65.0	215.1	30,000*	66.5	213.9	30,000*	68.0	211.6	28,000*	110
120		62.2	209.7	28,200	63.7	208.5	29,000	65.1	206.1	26,800*	120
130		59.3	203.6	24,600	60.8	202.4	25,300	62.2	199.9	25,800*	130
140		56.4	196.8	21,600	57.9	195.6	22,200	59.2	193.0	22,700	140
150		53.3	189.3	19,000	54.8	187.9	19,500				150
160		50.1	180.8	16,700	51.5	179.4	17,100				160
170		46.7	171.3	14,700	48.1	169.8	15,100				170
180		43.1	160.5	13,000							180
190		39.2	148.2	11,400							190
200	55	79.8	245.1	30,000*							55
	60	78.6	244.0	30,000*	80.2	242.9	30,000*				60
	65	77.4	242.8	30,000*	78.9	241.7	30,000*	80.4	239.5	30,000*	65
	70	76.2	241.4	30,000*	77.7	240.3	30,000*	79.2	238.1	30,000*	70
	75	74.9	239.9	30,000*	76.5	238.9	30,000*	78.0	236.6	30,000*	75
	80	73.7	238.4	30,000*	75.2	237.3	30,000*	76.7	235.0	30,000*	80
	90	71.2	234.8	30,000*	72.7	233.7	30,000*	74.2	231.4	30,000*	90
	100	68.7	230.8	30,000*	70.2	229.7	30,000*	71.6	227.4	29,700*	100
	110	66.1	226.2	30,000*	67.6	225.1	30,000*	69.0	222.7	28,400*	110
	120	63.5	221.1	27,700	64.9	219.9	28,400	66.3	217.5	27,300*	120
	130	60.7	215.4	24,100	62.2	214.2	24,700	63.5	211.7	25,400	130
	140	57.9	209.0	21,000	59.4	207.8	21,600	60.7	205.2	22,100	140
	150	55.1	201.9	18,400	56.5	200.6	18,900	57.7	197.9	19,400	150
	160	52.1	194.0	16,100	53.5	192.6	16,600				160
	170	48.9	185.2	14,100	50.3	183.8	14,500				170
	180	45.6	175.3	12,400	47.0	173.8	12,700				180
	190	42.1	164.2	10,800							190
	200	38.3	151.5	9,400							200

LIFT CRANE JIB CAPACITIES

MEETS
ANSI B30.5
REQUIREMENTS

4100W SERIES 2

JIB NO. 123 WITH 12' 6" STRUT ON
BOOM NO. 22C WITH OPEN THROAT TOP
OFFSET 4-1/2 DEGREES - 146,400 LB. CRANE COUNTERWEIGHT
60,000 LB. CARBODY COUNTERWEIGHT
26' 6" CRAWLERS EXTENDED

40 FOOT JIB

BOOM LGTH. FEET	JIB OPER. RAD. FEET	0 DEGREE OFFSET			10 DEGREE OFFSET			20 DEGREE OFFSET			JIB OPER. RAD. FEET	
		BOOM ANG. DEG.	JIB POINT ELEV. FEET	CAPACITY POUNDS	BOOM ANG. DEG.	JIB POINT ELEV. FEET	CAPACITY POUNDS	BOOM ANG. DEG.	JIB POINT ELEV. FEET	CAPACITY POUNDS		
210	55	80.2	255.3	30,000*							55	
	60	79.1	254.3	30,000*	80.6	253.2	30,000*				60	
	65	77.9	253.1	30,000*	79.4	252.0	30,000*				65	
	70	76.7	251.8	30,000*	78.2	250.7	30,000*	79.6	248.5	30,000*	70	
	75	75.6	250.4	30,000*	77.0	249.3	30,000*	78.5	247.0	30,000*	75	
	80	74.4	248.9	30,000*	75.8	247.8	30,000*	77.3	245.5	30,000*	80	
	90	72.0	245.5	30,000*	73.5	244.4	30,000*	74.8	242.1	30,000*	90	
	100	69.6	241.6	30,000*	71.0	240.5	30,000*	72.4	238.2	30,000*	100	
	110	67.1	237.3	30,000*	68.5	236.1	30,000*	69.9	233.8	28,900*	110	
	120	64.6	232.4	27,300	66.0	231.2	28,100	67.3	228.8	27,700*	120	
	130	62.0	227.0	23,700	63.4	225.8	24,400	64.7	223.3	25,000	130	
	140	59.4	221.0	20,600	60.8	219.7	21,200	62.0	217.2	21,800	140	
	150	56.7	214.3	18,000	58.0	213.0	18,600	59.3	210.3	19,100	150	
	160	53.8	206.8	15,700	55.2	205.5	16,200				160	
	170	50.9	198.6	13,700	52.3	197.2	14,200				170	
	180	47.9	189.5	12,000	49.2	188.0	12,300				180	
	190	44.6	179.3	10,400							190	
	200	41.2	167.8	9,000							200	
	210	37.5	154.8	7,700*							210	
	220	55	80.6	265.5	30,000*							55
		60	79.5	264.5	30,000*							60
65		78.4	263.4	30,000*	79.8	262.3	30,000*				65	
70		77.3	262.1	30,000*	78.7	261.0	30,000*	80.1	258.8	30,000*	70	
75		76.1	260.8	30,000*	77.5	259.7	30,000*	78.9	257.4	30,000*	75	
80		75.0	259.3	30,000*	76.4	258.2	30,000*	77.8	255.9	30,000*	80	
90		72.7	256.1	30,000*	74.1	255.0	30,000*	75.4	252.7	30,000*	90	
100		70.4	252.4	30,000*	71.8	251.3	30,000*	73.1	248.9	30,000*	100	
110		68.0	248.3	30,000*	69.4	247.1	30,000*	70.7	244.7	29,300*	110	
120		65.6	243.6	26,700	67.0	242.4	27,500	68.3	240.0	28,100*	120	
130		63.2	238.4	23,100	64.5	237.2	23,800	65.8	234.8	24,500	130	
140		60.7	232.7	20,000	62.0	231.5	20,700	63.2	228.9	21,300	140	
150		58.1	226.4	17,400	59.4	225.1	18,000	60.6	222.5	18,500	150	
160		55.5	219.4	15,100	56.8	218.1	15,700	57.9	215.4	16,100	160	
170	52.7	211.7	13,100	54.0	210.3	13,600				170		
180	49.9	203.1	11,400	51.1	201.7	11,800				180		
190	46.9	193.7	9,800	48.1	192.2	10,200				190		
200	43.7	183.1	8,400							200		
210	40.3	171.3	6,900*							210		
220	36.7	157.9	5,500*							220		
230	60	79.9	274.7	30,000*							60	
	65	78.8	273.6	30,000*	80.2	272.5	30,000*				65	
	70	77.7	272.4	30,000*	79.1	271.3	30,000*	80.4	269.1	30,000*	70	
	75	76.6	271.1	30,000*	78.0	270.0	30,000*	79.3	267.8	30,000*	75	
	80	75.6	269.7	30,000*	76.9	268.6	30,000*	78.2	266.3	30,000*	80	
	90	73.4	266.6	30,000*	74.7	265.5	30,000*	76.0	263.2	30,000*	90	
	100	71.1	263.1	30,000*	72.5	262.0	30,000*	73.8	259.6	30,000*	100	
	110	68.9	259.1	30,000*	70.2	258.0	30,000*	71.5	255.6	29,700*	110	
	120	66.6	254.7	26,200	67.9	253.5	27,100	69.1	251.1	27,900	120	
	130	64.3	249.8	22,600	65.6	248.5	23,400	66.8	246.1	24,100	130	
	140	61.9	244.3	19,500	63.2	243.1	20,200	64.4	240.5	20,900	140	
	150	59.4	238.3	16,900	60.7	237.0	17,500	61.9	234.4	18,100	150	
	160	56.9	231.7	14,600	58.2	230.3	15,200	59.3	227.7	15,700	160	
	170	54.3	224.4	12,600	55.6	223.0	13,100				170	
180	51.6	216.4	10,800	52.9	214.9	11,300				180		
190	48.8	207.5	9,300	50.1	206.1	9,700				190		
200	45.9	197.8	7,800*	47.1	196.2	8,200				200		
210	42.8	186.9	6,200*							210		
220	39.5	174.8	4,800*							220		

LIFTCRANE JIB CAPACITIES

MEETS
ANSI B30.5
REQUIREMENTS

4100W SERIES 2

JIB NO. 123 WITH 12' 6" STRUT ON
BOOM NO. 22C WITH OPEN THROAT TOP
OFFSET 4-1/2 DEGREES - 146,400 LB. CRANE COUNTERWEIGHT
60,000 LB. CARBODY COUNTERWEIGHT
26' 6" CRAWLERS EXTENDED

40 FOOT JIB

BOOM LGTH. FEET	JIB OPER. RAD. FEET	0 DEGREE OFFSET			10 DEGREE OFFSET			20 DEGREE OFFSET			JIB OPER. RAD. FEET
		BOOM ANG. DEG.	JIB POINT ELEV. FEET	CAPACITY POUNDS	BOOM ANG. DEG.	JIB POINT ELEV. FEET	CAPACITY POUNDS	BOOM ANG. DEG.	JIB POINT ELEV. FEET	CAPACITY POUNDS	
240	60	80.2	284.9	30,000*							60
	65	79.2	283.9	30,000*	80.5	282.8	30,000*				65
	70	78.2	282.7	30,000*	79.5	281.6	30,000*				70
	75	77.1	281.5	30,000*	78.5	280.3	30,000*	79.7	278.1	30,000*	75
	80	76.1	280.1	30,000*	77.4	279.0	30,000*	78.7	276.7	30,000*	80
	90	74.0	277.2	30,000*	75.3	276.0	30,000*	76.5	273.7	30,000*	90
	100	71.8	273.8	30,000*	73.1	272.6	30,000*	74.4	270.3	30,000*	100
	110	69.7	269.9	30,000*	71.0	268.8	30,000*	72.2	266.4	30,000*	110
	120	67.5	265.7	25,700	68.8	264.5	26,600	70.0	262.1	27,400	120
	130	65.2	261.0	22,100	66.5	259.8	22,900	67.7	257.3	23,600	130
	140	63.0	255.8	19,000	64.2	254.5	19,700	65.4	252.0	20,400	140
	150	60.6	250.0	16,400	61.9	248.8	17,000	63.0	246.2	17,600	150
	160	58.2	243.7	14,100	59.5	242.4	14,700	60.6	239.8	15,200	160
	170	55.8	236.8	12,100	57.0	235.5	12,600	58.1	232.8	13,100	170
	180	53.3	229.3	10,300	54.5	227.9	10,800				180
	190	50.6	221.0	8,700	51.8	219.5	9,200				190
	200	47.9	211.8	7,100*	49.1	210.3	7,600*				200
210	45.0	201.8	5,500*							210	
220	42.0	190.6	4,100*							220	

LIFT CRANE JIB CAPACITIES

MEETS
ANSI B30.5
REQUIREMENTS

4100W SERIES 2

JIB NO. 123 WITH 12' 6" STRUT ON
BOOM NO. 22C WITH OPEN THROAT TOP
OFFSET 4-1/2 DEGREES - 146,400 LB. CRANE COUNTERWEIGHT
60,000 LB. CARBODY COUNTERWEIGHT
26' 6" CRAWLERS EXTENDED

50 FOOT JIB

BOOM LGTH. FEET	JIB OPER. RAD. FEET	0 DEGREE OFFSET			10 DEGREE OFFSET			20 DEGREE OFFSET			JIB OPER. RAD. FEET
		BOOM ANG. DEG.	JIB POINT ELEV. FEET	CAPACITY POUNDS	BOOM ANG. DEG.	JIB POINT ELEV. FEET	CAPACITY POUNDS	BOOM ANG. DEG.	JIB POINT ELEV. FEET	CAPACITY POUNDS	
110	40	80.7	166.8	20,000*							40
	45	78.9	165.6	20,000*							45
	50	77.1	164.3	20,000*	80.0	163.3	20,000*				50
	55	75.2	162.8	20,000*	78.1	161.8	20,000*				55
	60	73.4	161.1	20,000*	76.3	160.1	20,000*	79.1	157.9	20,000*	60
	65	71.5	159.2	20,000*	74.4	158.2	20,000*	77.2	155.9	20,000*	65
	70	69.6	157.1	20,000*	72.5	156.1	20,000*	75.2	153.8	20,000*	70
	75	67.7	154.8	20,000*	70.5	153.8	20,000*	73.3	151.5	20,000*	75
	80	65.8	152.4	20,000*	68.6	151.3	20,000*	71.3	149.0	20,000*	80
	90	61.7	146.8	20,000*	64.5	145.7	20,000*	67.2	143.2	20,000*	90
	100	57.5	140.2	20,000*	60.3	139.0	20,000*	62.8	136.4	20,000*	100
	110	53.1	132.4	20,000*	55.8	131.2	20,000*	58.3	128.5	19,300*	110
	120	48.4	123.3	20,000*	51.0	122.0	20,000*				120
	130	43.2	112.5	20,000*							130
140	37.4	99.3	20,000*							140	
120	45	79.5	175.9	20,000*							45
	50	77.8	174.6	20,000*	80.6	173.6	20,000*				50
	55	76.1	173.2	20,000*	78.8	172.2	20,000*				55
	60	74.4	171.6	20,000*	77.1	170.6	20,000*	79.8	168.3	20,000*	60
	65	72.6	169.9	20,000*	75.3	168.8	20,000*	78.0	166.6	20,000*	65
	70	70.9	167.9	20,000*	73.6	166.9	20,000*	76.2	164.6	20,000*	70
	75	69.1	165.8	20,000*	71.8	164.8	20,000*	74.3	162.4	20,000*	75
	80	67.3	163.5	20,000*	69.9	162.4	20,000*	72.5	160.1	20,000*	80
	90	63.5	158.3	20,000*	66.2	157.2	20,000*	68.7	154.7	20,000*	90
	100	59.7	152.2	20,000*	62.3	151.1	20,000*	64.7	148.5	20,000*	100
	110	55.6	145.2	20,000*	58.2	144.0	20,000*	60.6	141.3	19,900*	110
	120	51.4	137.0	20,000*	53.9	135.7	20,000*				120
	130	46.8	127.4	20,000*	49.3	126.0	20,000*				130
	140	41.8	116.0	20,000*							140
150	36.2	102.3	20,000*							150	
130	45	80.1	186.2	20,000*							45
	50	78.5	185.0	20,000*							50
	55	76.9	183.6	20,000*	79.5	182.6	20,000*				55
	60	75.3	182.1	20,000*	77.8	181.1	20,000*	80.4	178.8	20,000*	60
	65	73.6	180.5	20,000*	76.2	179.4	20,000*	78.7	177.1	20,000*	65
	70	72.0	178.7	20,000*	74.5	177.6	20,000*	77.0	175.2	20,000*	70
	75	70.3	176.7	20,000*	72.8	175.6	20,000*	75.3	173.2	20,000*	75
	80	68.6	174.5	20,000*	71.1	173.4	20,000*	73.5	171.0	20,000*	80
	90	65.1	169.7	20,000*	67.6	168.5	20,000*	70.0	166.1	20,000*	90
	100	61.5	164.0	20,000*	64.0	162.9	20,000*	66.3	160.3	20,000*	100
	110	57.8	157.5	20,000*	60.3	156.3	20,000*	62.5	153.6	20,000*	110
	120	53.9	150.0	20,000*	56.3	148.7	20,000*	58.5	145.9	19,400*	120
	130	49.8	141.4	20,000*	52.1	140.0	20,000*				130
	140	45.4	131.3	20,000*	47.7	129.8	20,000*				140
150	40.5	119.5	20,000*							150	
140	45	80.6	196.4	20,000*							45
	50	79.1	195.3	20,000*							50
	55	77.6	194.0	20,000*	80.0	192.9	20,000*				55
	60	76.1	192.6	20,000*	78.5	191.5	20,000*	80.9	189.1	20,000*	60
	65	74.5	191.0	20,000*	76.9	189.9	20,000*	79.3	187.6	20,000*	65
	70	73.0	189.3	20,000*	75.4	188.2	20,000*	77.7	185.8	20,000*	70
	75	71.4	187.4	20,000*	73.8	186.3	20,000*	76.1	183.9	20,000*	75
	80	69.8	185.4	20,000*	72.2	184.3	20,000*	74.5	181.8	20,000*	80
	90	66.5	180.9	20,000*	68.9	179.7	20,000*	71.2	177.2	20,000*	90
	100	63.2	175.6	20,000*	65.5	174.4	20,000*	67.7	171.8	20,000*	100
	110	59.7	169.6	20,000*	62.0	168.3	20,000*	64.2	165.6	20,000*	110
	120	56.1	162.7	20,000*	58.4	161.4	20,000*	60.5	158.5	19,900*	120
	130	52.3	154.7	20,000*	54.6	153.4	20,000*	56.6	150.4	19,000*	130
	140	48.3	145.7	20,000*	50.6	144.2	20,000*				140
150	44.1	135.2	20,000*	46.2	133.6	20,000*				150	
160	39.4	122.9	19,700							160	

LIFTCRANE JIB CAPACITIES

MEETS
ANSI B30.5
REQUIREMENTS

4100W SERIES 2

JIB NO. 123 WITH 12' 6" STRUT ON
BOOM NO. 22C WITH OPEN THROAT TOP
OFFSET 4-1/2 DEGREES - 146,400 LB. CRANE COUNTERWEIGHT
60,000 LB. CARBODY COUNTERWEIGHT
26' 6" CRAWLERS EXTENDED

50 FOOT JIB

BOOM LGTH. FEET	JIB OPER. RAD. FEET	0 DEGREE OFFSET			10 DEGREE OFFSET			20 DEGREE OFFSET			JIB OPER. RAD. FEET
		BOOM ANG. DEG.	JIB POINT ELEV. FEET	CAPACITY POUNDS	BOOM ANG. DEG.	JIB POINT ELEV. FEET	CAPACITY POUNDS	BOOM ANG. DEG.	JIB POINT ELEV. FEET	CAPACITY POUNDS	
150	50	79.7	205.5	20,000*							50
	55	78.2	204.3	20,000*	80.5	203.2	20,000*				55
	60	76.8	203.0	20,000*	79.1	201.9	20,000*				60
	65	75.3	201.5	20,000*	77.6	200.4	20,000*	79.9	198.0	20,000*	65
	70	73.8	199.9	20,000*	76.1	198.8	20,000*	78.4	196.3	20,000*	70
	75	72.3	198.1	20,000*	74.6	197.0	20,000*	76.8	194.5	20,000*	75
	80	70.8	196.2	20,000*	73.1	195.1	20,000*	75.3	192.6	20,000*	80
	90	67.8	191.9	20,000*	70.0	190.8	20,000*	72.2	188.2	20,000*	90
	100	64.6	187.0	20,000*	66.9	185.8	20,000*	69.0	183.2	20,000*	100
	110	61.4	181.4	20,000*	63.6	180.1	20,000*	65.7	177.4	20,000*	110
	120	58.0	174.9	20,000*	60.2	173.6	20,000*	62.2	170.8	20,000*	120
	130	54.6	167.6	20,000*	56.7	166.2	20,000*	58.7	163.3	19,400*	130
	140	50.9	159.3	20,000*	53.0	157.9	20,000*				140
	150	47.0	149.8	20,000*	49.1	148.3	20,000*				150
	160	42.8	138.9	19,100							160
	170	38.3	126.1	17,100							170
	160	50	80.2	215.7	20,000*						
55		78.8	214.6	20,000*							55
60		77.4	213.3	20,000*	79.6	212.2	20,000*				60
65		76.0	211.9	20,000*	78.2	210.8	20,000*	80.4	208.3	20,000*	65
70		74.6	210.4	20,000*	76.8	209.2	20,000*	78.9	206.8	20,000*	70
75		73.2	208.7	20,000*	75.4	207.6	20,000*	77.5	205.1	20,000*	75
80		71.8	206.9	20,000*	73.9	205.8	20,000*	76.0	203.2	20,000*	80
90		68.9	202.9	20,000*	71.0	201.7	20,000*	73.1	199.1	20,000*	90
100		65.9	198.2	20,000*	68.0	197.0	20,000*	70.1	194.4	20,000*	100
110		62.9	192.9	20,000*	65.0	191.7	20,000*	67.0	189.0	20,000*	110
120		59.7	186.9	20,000*	61.8	185.6	20,000*	63.8	182.8	20,000*	120
130		56.5	180.1	20,000*	58.6	178.7	20,000*	60.4	175.8	19,900*	130
140		53.1	172.4	20,000*	55.2	171.0	20,000*	57.0	167.9	19,100*	140
150	49.6	163.7	20,000*	51.6	162.2	20,000*				150	
160	45.8	153.8	18,500	47.8	152.2	18,900				160	
170	41.7	142.5	16,500							170	
180	37.3	129.3	14,700							180	
170	50	80.6	226.0	20,000*							50
	55	79.3	224.9	20,000*							55
	60	78.0	223.7	20,000*	80.1	222.5	20,000*				60
	65	76.7	222.3	20,000*	78.8	221.2	20,000*	80.8	218.7	20,000*	65
	70	75.3	220.9	20,000*	77.4	219.7	20,000*	79.5	217.2	20,000*	70
	75	74.0	219.3	20,000*	76.1	218.1	20,000*	78.1	215.6	20,000*	75
	80	72.6	217.6	20,000*	74.7	216.4	20,000*	76.7	213.8	20,000*	80
	90	69.9	213.7	20,000*	71.9	212.5	20,000*	73.9	209.9	20,000*	90
	100	67.1	209.3	20,000*	69.1	208.1	20,000*	71.1	205.4	20,000*	100
	110	64.2	204.3	20,000*	66.2	203.0	20,000*	68.1	200.3	20,000*	110
	120	61.3	198.7	20,000*	63.3	197.3	20,000*	65.1	194.6	20,000*	120
	130	58.2	192.3	20,000*	60.2	190.9	20,000*	62.0	188.0	20,000*	130
	140	55.1	185.1	20,000*	57.0	183.7	20,000*	58.8	180.7	19,500*	140
	150	51.8	177.1	20,000*	53.7	175.6	20,000*				150
	160	48.3	168.0	18,100	50.2	166.5	18,600				160
170	44.6	157.7	16,100	46.5	156.1	16,500				170	
180	40.7	146.0	14,400							180	
190	36.4	132.4	12,800							190	

LIFT CRANE JIB CAPACITIES

MEETS
ANSI B30.5
REQUIREMENTS

4100W SERIES 2

JIB NO. 123 WITH 12' 6" STRUT ON
BOOM NO. 22C WITH OPEN THROAT TOP
OFFSET 4-1/2 DEGREES - 146,400 LB. CRANE COUNTERWEIGHT
60,000 LB. CARBODY COUNTERWEIGHT
26' 6" CRAWLERS EXTENDED

50 FOOT JIB

BOOM LGTH. FEET	JIB OPER. RAD. FEET	0 DEGREE OFFSET			10 DEGREE OFFSET			20 DEGREE OFFSET			JIB OPER. RAD. FEET	
		BOOM ANG. DEG.	JIB POINT ELEV. FEET	CAPACITY POUNDS	BOOM ANG. DEG.	JIB POINT ELEV. FEET	CAPACITY POUNDS	BOOM ANG. DEG.	JIB POINT ELEV. FEET	CAPACITY POUNDS		
180	55	79.8	235.1	20,000*							55	
	60	78.5	234.0	20,000*	80.5	232.8	20,000*				60	
	65	77.2	232.7	20,000*	79.3	231.5	20,000*				65	
	70	76.0	231.3	20,000*	78.0	230.1	20,000*	79.9	227.6	20,000*	70	
	75	74.7	229.8	20,000*	76.7	228.6	20,000*	78.6	226.0	20,000*	75	
	80	73.4	228.1	20,000*	75.4	226.9	20,000*	77.3	224.4	20,000*	80	
	90	70.8	224.5	20,000*	72.8	223.3	20,000*	74.7	220.7	20,000*	90	
	100	68.1	220.3	20,000*	70.1	219.1	20,000*	72.0	216.4	20,000*	100	
	110	65.4	215.6	20,000*	67.4	214.3	20,000*	69.2	211.6	20,000*	110	
	120	62.6	210.2	20,000*	64.6	208.9	20,000*	66.4	206.1	20,000*	120	
	130	59.8	204.2	20,000*	61.7	202.9	20,000*	63.4	200.0	20,000*	130	
	140	56.8	197.5	20,000*	58.7	196.1	20,000*	60.4	193.1	19,800*	140	
	150	53.7	190.0	19,800	55.6	188.6	20,000*	57.3	185.5	19,100*	150	
	160	50.5	181.6	17,500	52.4	180.1	18,000				160	
	170	47.2	172.2	15,500	49.0	170.6	16,000				170	
	180	43.6	161.6	13,800							180	
	190	39.7	149.4	12,200							190	
	190	55	80.2	245.3	20,000*							55
		60	79.0	244.2	20,000*	80.9	243.0	20,000*				60
65		77.8	243.0	20,000*	79.7	241.8	20,000*				65	
70		76.6	241.7	20,000*	78.5	240.5	20,000*	80.4	237.9	20,000*	70	
75		75.3	240.2	20,000*	77.3	239.0	20,000*	79.1	236.5	20,000*	75	
80		74.1	238.7	20,000*	76.0	237.5	20,000*	77.9	234.9	20,000*	80	
90		71.6	235.2	20,000*	73.5	234.0	20,000*	75.3	231.3	20,000*	90	
100		69.1	231.2	20,000*	71.0	229.9	20,000*	72.8	227.3	20,000*	100	
110		66.5	226.7	20,000*	68.4	225.4	20,000*	70.1	222.7	20,000*	110	
120		63.9	221.6	20,000*	65.7	220.3	20,000*	67.4	217.5	20,000*	120	
130		61.2	216.0	20,000*	63.0	214.6	20,000*	64.7	211.7	20,000*	130	
140		58.4	209.6	20,000*	60.2	208.2	20,000*	61.8	205.3	20,000*	140	
150		55.5	202.6	19,200	57.3	201.2	19,900	58.9	198.1	19,500*	150	
160		52.5	194.8	17,000	54.3	193.3	17,500				160	
170		49.4	186.0	15,000	51.1	184.5	15,500				170	
180		46.1	176.3	13,200	47.8	174.6	13,600				180	
190		42.6	165.3	11,600							190	
200		38.8	152.8	10,200							200	
200		55	80.6	255.5	20,000*							55
	60	79.4	254.5	20,000*							60	
	65	78.3	253.3	20,000*	80.1	252.1	20,000*				65	
	70	77.1	252.0	20,000*	79.0	250.8	20,000*	80.8	248.2	20,000*	70	
	75	75.9	250.7	20,000*	77.8	249.4	20,000*	79.6	246.8	20,000*	75	
	80	74.8	249.2	20,000*	76.6	247.9	20,000*	78.4	245.3	20,000*	80	
	90	72.4	245.8	20,000*	74.2	244.6	20,000*	76.0	241.9	20,000*	90	
	100	70.0	242.0	20,000*	71.8	240.8	20,000*	73.5	238.1	20,000*	100	
	110	67.5	237.7	20,000*	69.3	236.4	20,000*	71.0	233.7	20,000*	110	
	120	65.0	232.9	20,000*	66.8	231.6	20,000*	68.4	228.8	20,000*	120	
	130	62.4	227.5	20,000*	64.2	226.2	20,000*	65.8	223.3	20,000*	130	
	140	59.8	221.5	20,000*	61.5	220.2	20,000*	63.1	217.2	20,000*	140	
	150	57.1	214.9	18,700	58.8	213.5	19,300	60.4	210.4	19,800*	150	
	160	54.3	207.6	16,400	56.0	206.1	17,000	57.5	202.9	17,500	160	
	170	51.4	199.4	14,400	53.0	197.9	14,900				170	
	180	48.3	190.4	12,600	50.0	188.7	13,100				180	
	190	45.1	180.3	11,000	46.7	178.5	11,500				190	
	200	41.7	168.9	9,600							200	
	210	38.0	156.1	8,400							210	

LIFTCRANE JIB CAPACITIES

MEETS
ANSI B30.5
REQUIREMENTS

4100W SERIES 2

JIB NO. 123 WITH 12' 6" STRUT ON
BOOM NO. 22C WITH OPEN THROAT TOP
OFFSET 4-1/2 DEGREES - 146,400 LB. CRANE COUNTERWEIGHT
60,000 LB. CARBODY COUNTERWEIGHT
26' 6" CRAWLERS EXTENDED

50 FOOT JIB

BOOM LGTH. FEET	JIB OPER. RAD. FEET	0 DEGREE OFFSET			10 DEGREE OFFSET			20 DEGREE OFFSET			JIB OPER. RAD. FEET
		BOOM ANG. DEG.	JIB POINT ELEV. FEET	CAPACITY POUNDS	BOOM ANG. DEG.	JIB POINT ELEV. FEET	CAPACITY POUNDS	BOOM ANG. DEG.	JIB POINT ELEV. FEET	CAPACITY POUNDS	
210	55	81.0	265.7	20,000*							55
	60	79.8	264.7	20,000*							60
	65	78.7	263.6	20,000*	80.5	262.4	20,000*				65
	70	77.6	262.4	20,000*	79.4	261.1	20,000*				70
	75	76.5	261.0	20,000*	78.3	259.8	20,000*	80.0	257.2	20,000*	75
	80	75.4	259.6	20,000*	77.1	258.4	20,000*	78.8	255.7	20,000*	80
	90	73.1	256.4	20,000*	74.8	255.1	20,000*	76.5	252.5	20,000*	90
	100	70.8	252.8	20,000*	72.5	251.5	20,000*	74.2	248.8	20,000*	100
	110	68.4	248.7	20,000*	70.1	247.4	20,000*	71.8	244.6	20,000*	110
	120	66.0	244.1	20,000*	67.7	242.7	20,000*	69.4	239.9	20,000*	120
	130	63.6	238.9	20,000*	65.3	237.6	20,000*	66.9	234.7	20,000*	130
	140	61.1	233.3	20,000*	62.8	231.9	20,000*	64.3	228.9	20,000*	140
	150	58.5	227.0	18,300	60.2	225.6	19,000	61.7	222.5	19,600	150
	160	55.9	220.1	16,000	57.5	218.6	16,600	59.0	215.5	17,200	160
	170	53.1	212.4	14,000	54.8	210.9	14,500				170
	180	50.3	204.0	12,200	51.9	202.4	12,700				180
	190	47.3	194.6	10,600	48.9	192.9	11,100				190
	200	44.2	184.2	9,200							200
210	40.8	172.5	8,000*							210	
220	37.2	159.3	6,600*							220	
220	60	80.2	274.9	20,000*							60
	65	79.1	273.8	20,000*	80.9	272.6	20,000*				65
	70	78.1	272.7	20,000*	79.8	271.4	20,000*				70
	75	77.0	271.4	20,000*	78.7	270.1	20,000*	80.4	267.5	20,000*	75
	80	75.9	270.0	20,000*	77.6	268.8	20,000*	79.3	266.1	20,000*	80
	90	73.7	267.0	20,000*	75.4	265.7	20,000*	77.0	263.0	20,000*	90
	100	71.5	263.5	20,000*	73.2	262.2	20,000*	74.8	259.5	20,000*	100
	110	69.2	259.5	20,000*	70.9	258.2	20,000*	72.5	255.5	20,000*	110
	120	67.0	255.1	20,000*	68.6	253.8	20,000*	70.2	251.0	20,000*	120
	130	64.6	250.2	20,000*	66.3	248.9	20,000*	67.8	246.0	20,000*	130
	140	62.2	244.8	20,000*	63.9	243.4	20,000*	65.4	240.5	20,000*	140
	150	59.8	238.9	17,700	61.4	237.4	18,400	62.9	234.4	19,100	150
	160	57.3	232.3	15,400	58.9	230.8	16,100	60.3	227.7	16,700	160
	170	54.7	225.1	13,400	56.3	223.6	14,000	57.7	220.4	14,500	170
180	52.0	217.1	11,600	53.6	215.6	12,200				180	
190	49.3	208.4	10,100	50.8	206.7	10,500				190	
200	46.3	198.7	8,600	47.9	197.0	9,100				200	
210	43.3	188.0	7,300*							210	
220	40.0	176.0	5,800*							220	
230	36.5	162.4	4,600*							230	
230	60	80.6	285.1	20,000*							60
	65	79.5	284.1	20,000*							65
	70	78.5	282.9	20,000*	80.2	281.7	20,000*				70
	75	77.5	281.7	20,000*	79.1	280.5	20,000*	80.7	277.8	20,000*	75
	80	76.4	280.4	20,000*	78.1	279.1	20,000*	79.7	276.5	20,000*	80
	90	74.3	277.4	20,000*	75.9	276.2	20,000*	77.5	273.5	20,000*	90
	100	72.2	274.1	20,000*	73.8	272.8	20,000*	75.4	270.1	20,000*	100
	110	70.0	270.3	20,000*	71.6	269.0	20,000*	73.2	266.2	20,000*	110
	120	67.8	266.1	20,000*	69.4	264.8	20,000*	70.9	262.0	20,000*	120
	130	65.6	261.4	20,000*	67.2	260.1	20,000*	68.7	257.2	20,000*	130
	140	63.3	256.3	19,800	64.9	254.9	20,000*	66.4	252.0	20,000*	140
	150	61.0	250.6	17,100	62.6	249.2	17,900	64.0	246.2	18,700	150
	160	58.6	244.3	14,900	60.2	242.9	15,600	61.6	239.8	16,200	160
	170	56.2	237.5	12,900	57.7	236.0	13,500	59.1	232.8	14,100	170
180	53.6	230.0	11,100	55.2	228.4	11,700	56.5	225.2	12,200	180	
190	51.0	221.8	9,500	52.5	220.2	10,000				190	
200	48.3	212.7	8,100*	49.8	211.0	8,600				200	
210	45.4	202.8	6,600*	46.9	201.0	7,100*				210	
220	42.4	191.7	5,100*							220	

LIFTCRANE JIB CAPACITIES

MEETS
ANSI B30.5
REQUIREMENTS

4100W SERIES 2

JIB NO. 123 WITH 12' 6" STRUT ON
BOOM NO. 22C WITH OPEN THROAT TOP
OFFSET 4-1/2 DEGREES - 146,400 LB. CRANE COUNTERWEIGHT
60,000 LB. CARBODY COUNTERWEIGHT
26' 6" CRAWLERS EXTENDED

60 FOOT JIB

BOOM LGTH. FEET	JIB OPER. RAD. FEET	0 DEGREE OFFSET			10 DEGREE OFFSET			20 DEGREE OFFSET			JIB OPER. RAD. FEET
		BOOM ANG. DEG.	JIB POINT ELEV. FEET	CAPACITY POUNDS	BOOM ANG. DEG.	JIB POINT ELEV. FEET	CAPACITY POUNDS	BOOM ANG. DEG.	JIB POINT ELEV. FEET	CAPACITY POUNDS	
110	45	79.5	176.0	10,000*							45
	50	77.8	174.7	10,000*							50
	55	76.1	173.3	10,000*	79.4	172.3	10,000*				55
	60	74.4	171.7	10,000*	77.6	170.7	10,000*	80.9	168.4	10,000*	60
	65	72.6	169.9	10,000*	75.9	168.9	10,000*	79.1	166.6	10,000*	65
	70	70.8	168.0	10,000*	74.1	167.0	10,000*	77.3	164.6	10,000*	70
	75	69.1	165.9	10,000*	72.3	164.9	10,000*	75.5	162.4	10,000*	75
	80	67.2	163.6	10,000*	70.5	162.5	10,000*	73.6	160.1	10,000*	80
	90	63.5	158.4	10,000*	66.7	157.3	10,000*	69.8	154.8	10,000*	90
	100	59.7	152.3	10,000*	62.8	151.2	10,000*	65.9	148.5	10,000*	100
	110	55.6	145.2	10,000*	58.8	144.1	10,000*	61.7	141.3	10,000*	110
	120	51.4	137.0	10,000*	54.5	135.8	10,000*	57.3	132.8	10,000*	120
	130	46.8	127.5	10,000*	49.8	126.1	10,000*				130
	140	41.8	116.1	10,000*	44.8	114.6	10,000*				140
	150	36.2	102.4	10,000*							150
120	45	80.1	186.2	10,000*							45
	50	78.5	185.0	10,000*							50
	55	76.9	183.7	10,000*	80.0	182.7	10,000*				55
	60	75.2	182.2	10,000*	78.3	181.2	10,000*				60
	65	73.6	180.5	10,000*	76.7	179.5	10,000*	79.8	177.1	10,000*	65
	70	71.9	178.7	10,000*	75.0	177.7	10,000*	78.1	175.2	10,000*	70
	75	70.3	176.7	10,000*	73.3	175.7	10,000*	76.4	173.2	10,000*	75
	80	68.6	174.6	10,000*	71.6	173.5	10,000*	74.6	171.0	10,000*	80
	90	65.1	169.7	10,000*	68.1	168.6	10,000*	71.1	166.0	10,000*	90
	100	61.5	164.1	10,000*	64.5	163.0	10,000*	67.4	160.3	10,000*	100
	110	57.8	157.6	10,000*	60.8	156.4	10,000*	63.6	153.6	10,000*	110
	120	53.9	150.1	10,000*	56.8	148.8	10,000*	59.6	145.9	10,000*	120
	130	49.8	141.5	10,000*	52.7	140.1	10,000*	55.3	137.0	10,000*	130
	140	45.3	131.4	10,000*	48.2	130.0	10,000*				140
	150	40.5	119.6	10,000*							150
160	35.1	105.3	10,000*							160	
130	45	80.6	196.4	10,000*							45
	50	79.1	195.3	10,000*							50
	55	77.6	194.0	10,000*	80.5	193.0	10,000*				55
	60	76.0	192.6	10,000*	79.0	191.6	10,000*				60
	65	74.5	191.1	10,000*	77.4	190.0	10,000*	80.3	187.5	10,000*	65
	70	72.9	189.4	10,000*	75.8	188.3	10,000*	78.7	185.8	10,000*	70
	75	71.3	187.5	10,000*	74.3	186.4	10,000*	77.1	183.9	10,000*	75
	80	69.7	185.5	10,000*	72.6	184.4	10,000*	75.5	181.8	10,000*	80
	90	66.5	180.9	10,000*	69.4	179.8	10,000*	72.2	177.2	10,000*	90
	100	63.2	175.7	10,000*	66.0	174.5	10,000*	68.8	171.8	10,000*	100
	110	59.7	169.6	10,000*	62.5	168.4	10,000*	65.2	165.6	10,000*	110
	120	56.1	162.7	10,000*	58.9	161.5	10,000*	61.5	158.5	10,000*	120
	130	52.3	154.8	10,000*	55.1	153.5	10,000*	57.6	150.4	10,000*	130
	140	48.3	145.7	10,000*	51.1	144.3	10,000*				140
	150	44.0	135.2	10,000*	46.7	133.7	10,000*				150
160	39.3	122.9	10,000*							160	
140	50	79.6	205.6	10,000*							50
	55	78.2	204.4	10,000*	81.0	203.3	10,000*				55
	60	76.7	203.0	10,000*	79.5	201.9	10,000*				60
	65	75.3	201.6	10,000*	78.1	200.5	10,000*	80.8	197.9	10,000*	65
	70	73.8	199.9	10,000*	76.6	198.8	10,000*	79.3	196.3	10,000*	70
	75	72.3	198.2	10,000*	75.1	197.1	10,000*	77.8	194.5	10,000*	75
	80	70.8	196.3	10,000*	73.6	195.1	10,000*	76.3	192.5	10,000*	80
	90	67.7	192.0	10,000*	70.5	190.8	10,000*	73.1	188.2	10,000*	90
	100	64.6	187.1	10,000*	67.3	185.9	10,000*	69.9	183.1	10,000*	100
	110	61.4	181.4	10,000*	64.1	180.2	10,000*	66.6	177.3	10,000*	110
	120	58.0	175.0	10,000*	60.7	173.7	10,000*	63.2	170.7	10,000*	120
	130	54.5	167.7	10,000*	57.2	166.3	10,000*	59.6	163.2	10,000*	130
	140	50.9	159.4	10,000*	53.5	157.9	10,000*	55.9	154.7	10,000*	140
	150	47.0	149.9	10,000*	49.6	148.4	10,000*				150
	160	42.8	138.9	10,000*	45.4	137.3	10,000*				160
170	38.3	126.2	10,000*							170	

LIFT CRANE JIB CAPACITIES

MEETS
ANSI B30.5
REQUIREMENTS

4100W SERIES 2

JIB NO. 123 WITH 12' 6" STRUT ON
BOOM NO. 22C WITH OPEN THROAT TOP
OFFSET 4-1/2 DEGREES - 146,400 LB. CRANE COUNTERWEIGHT
60,000 LB. CARBODY COUNTERWEIGHT
26' 6" CRAWLERS EXTENDED

60 FOOT JIB

BOOM LGTH. FEET	JIB OPER. RAD. FEET	0 DEGREE OFFSET			10 DEGREE OFFSET			20 DEGREE OFFSET			JIB OPER. RAD. FEET
		BOOM ANG. DEG.	JIB POINT ELEV. FEET	CAPACITY POUNDS	BOOM ANG. DEG.	JIB POINT ELEV. FEET	CAPACITY POUNDS	BOOM ANG. DEG.	JIB POINT ELEV. FEET	CAPACITY POUNDS	
150	50	80.1	215.8	10,000*							50
	55	78.8	214.7	10,000*							55
	60	77.4	213.4	10,000*	80.0	212.3	10,000*				60
	65	76.0	212.0	10,000*	78.6	210.9	10,000*				65
	70	74.6	210.5	10,000*	77.2	209.3	10,000*	79.9	206.7	10,000*	70
	75	73.2	208.8	10,000*	75.8	207.6	10,000*	78.4	205.0	10,000*	75
	80	71.7	207.0	10,000*	74.4	205.8	10,000*	77.0	203.2	10,000*	80
	90	68.9	202.9	10,000*	71.5	201.8	10,000*	74.0	199.0	10,000*	90
	100	65.9	198.3	10,000*	68.5	197.1	10,000*	71.0	194.3	10,000*	100
	110	62.9	193.0	10,000*	65.4	191.7	10,000*	67.9	188.9	10,000*	110
	120	59.7	187.0	10,000*	62.3	185.7	10,000*	64.7	182.7	10,000*	120
	130	56.5	180.2	10,000*	59.0	178.8	10,000*	61.4	175.7	10,000*	130
	140	53.1	172.5	10,000*	55.6	171.1	10,000*	57.9	167.8	10,000*	140
	150	49.5	163.8	10,000*	52.0	162.3	10,000*				150
	160	45.8	153.9	10,000*	48.2	152.3	10,000*				160
	170	41.7	142.6	10,000*							170
	180	37.3	129.4	10,000*							180
	160	50	80.6	226.0	10,000*						
55		79.3	224.9	10,000*							55
60		78.0	223.7	10,000*	80.5	222.6	10,000*				60
65		76.6	222.4	10,000*	79.2	221.2	10,000*				65
70		75.3	220.9	10,000*	77.8	219.8	10,000*	80.3	217.1	10,000*	70
75		74.0	219.3	10,000*	76.5	218.2	10,000*	79.0	215.5	10,000*	75
80		72.6	217.6	10,000*	75.1	216.4	10,000*	77.6	213.7	10,000*	80
90		69.9	213.8	10,000*	72.4	212.6	10,000*	74.8	209.8	10,000*	90
100		67.1	209.4	10,000*	69.5	208.1	10,000*	71.9	205.3	10,000*	100
110		64.2	204.4	10,000*	66.7	203.1	10,000*	69.0	200.2	10,000*	110
120		61.2	198.7	10,000*	63.7	197.4	10,000*	66.0	194.4	10,000*	120
130		58.2	192.3	10,000*	60.6	191.0	10,000*	62.9	187.9	10,000*	130
140		55.1	185.2	10,000*	57.5	183.8	10,000*	59.7	180.6	10,000*	140
150		51.8	177.1	10,000*	54.1	175.7	10,000*	56.3	172.3	10,000*	150
160		48.3	168.1	10,000*	50.6	166.5	10,000*				160
170		44.6	157.8	10,000*	46.9	156.2	10,000*				170
180		40.7	146.1	10,000*							180
190		36.4	132.5	10,000*							190
170	50	81.0	236.2	10,000*							50
	55	79.7	235.2	10,000*							55
	60	78.5	234.0	10,000*	80.9	232.8	10,000*				60
	65	77.2	232.7	10,000*	79.7	231.6	10,000*				65
	70	75.9	231.3	10,000*	78.4	230.2	10,000*	80.8	227.5	10,000*	70
	75	74.7	229.8	10,000*	77.1	228.6	10,000*	79.5	225.9	10,000*	75
	80	73.4	228.2	10,000*	75.8	227.0	10,000*	78.2	224.3	10,000*	80
	90	70.8	224.5	10,000*	73.2	223.3	10,000*	75.5	220.5	10,000*	90
	100	68.1	220.4	10,000*	70.5	219.1	10,000*	72.8	216.3	10,000*	100
	110	65.4	215.6	10,000*	67.8	214.3	10,000*	70.0	211.4	10,000*	110
	120	62.6	210.3	10,000*	65.0	209.0	10,000*	67.2	206.0	10,000*	120
	130	59.7	204.3	10,000*	62.1	202.9	10,000*	64.3	199.9	10,000*	130
	140	56.8	197.6	10,000*	59.1	196.2	10,000*	61.2	193.0	10,000*	140
	150	53.7	190.1	10,000*	56.0	188.6	10,000*	58.1	185.3	10,000*	150
	160	50.5	181.7	10,000*	52.8	180.2	10,000*				160
	170	47.2	172.3	10,000*	49.4	170.7	10,000*				170
	180	43.6	161.6	10,000*	45.8	159.9	10,000*				180
	190	39.7	149.5	10,000*							190
200	35.5	135.5	10,000*							200	

LIFT CRANE JIB CAPACITIES

MEETS
ANSI B30.5
REQUIREMENTS

4100W SERIES 2

JIB NO. 123 WITH 12' 6" STRUT ON
BOOM NO. 22C WITH OPEN THROAT TOP
OFFSET 4-1/2 DEGREES - 146,400 LB. CRANE COUNTERWEIGHT
60,000 LB. CARBODY COUNTERWEIGHT
26' 6" CRAWLERS EXTENDED

60 FOOT JIB

BOOM LGTH. FEET	JIB OPER. RAD. FEET	0 DEGREE OFFSET			10 DEGREE OFFSET			20 DEGREE OFFSET			JIB OPER. RAD. FEET
		BOOM ANG. DEG.	JIB POINT ELEV. FEET	CAPACITY POUNDS	BOOM ANG. DEG.	JIB POINT ELEV. FEET	CAPACITY POUNDS	BOOM ANG. DEG.	JIB POINT ELEV. FEET	CAPACITY POUNDS	
180	55	80.2	245.4	10,000*							55
	60	79.0	244.3	10,000*							60
	65	77.8	243.1	10,000*	80.1	241.9	10,000*				65
	70	76.5	241.7	10,000*	78.9	240.5	10,000*				70
	75	75.3	240.3	10,000*	77.6	239.1	10,000*	79.9	236.3	10,000*	75
	80	74.1	238.7	10,000*	76.4	237.5	10,000*	78.7	234.7	10,000*	80
	90	71.6	235.2	10,000*	73.9	234.0	10,000*	76.1	231.2	10,000*	90
	100	69.1	231.3	10,000*	71.3	230.0	10,000*	73.6	227.1	10,000*	100
	110	66.5	226.8	10,000*	68.8	225.5	10,000*	70.9	222.5	10,000*	110
	120	63.8	221.7	10,000*	66.1	220.4	10,000*	68.2	217.4	10,000*	120
	130	61.1	216.0	10,000*	63.4	214.7	10,000*	65.5	211.6	10,000*	130
	140	58.4	209.7	10,000*	60.6	208.3	10,000*	62.6	205.1	10,000*	140
	150	55.5	202.7	10,000*	57.7	201.2	10,000*	59.7	197.9	10,000*	150
	160	52.5	194.8	10,000*	54.7	193.3	10,000*	56.6	189.9	10,000*	160
	170	49.4	186.1	10,000*	51.5	184.5	10,000*				170
	180	46.1	176.4	10,000*	48.2	174.7	10,000*				180
	190	42.6	165.4	10,000*	44.7	163.6	10,000*				190
200	38.8	152.9	10,000*							200	
190	55	80.6	255.6	10,000*							55
	60	79.4	254.5	10,000*							60
	65	78.3	253.4	10,000*	80.5	252.1	10,000*				65
	70	77.1	252.1	10,000*	79.3	250.9	10,000*				70
	75	75.9	250.7	10,000*	78.1	249.5	10,000*	80.3	246.7	10,000*	75
	80	74.7	249.2	10,000*	77.0	248.0	10,000*	79.1	245.2	10,000*	80
	90	72.4	245.9	10,000*	74.6	244.6	10,000*	76.7	241.8	10,000*	90
	100	69.9	242.1	10,000*	72.1	240.8	10,000*	74.3	237.9	10,000*	100
	110	67.5	237.8	10,000*	69.7	236.5	10,000*	71.8	233.5	10,000*	110
	120	65.0	233.0	10,000*	67.1	231.6	10,000*	69.2	228.6	10,000*	120
	130	62.4	227.6	10,000*	64.6	226.2	10,000*	66.6	223.1	10,000*	130
	140	59.8	221.6	10,000*	61.9	220.2	10,000*	63.9	217.0	10,000*	140
	150	57.1	215.0	10,000*	59.2	213.5	10,000*	61.1	210.3	10,000*	150
160	54.3	207.6	10,000*	56.4	206.1	10,000*	58.3	202.7	10,000*	160	
170	51.3	199.5	10,000*	53.4	197.9	10,000*	55.3	194.4	10,000*	170	
180	48.3	190.4	10,000*	50.3	188.8	10,000*				180	
190	45.1	180.3	10,000*	47.1	178.6	10,000*				190	
200	41.7	169.0	10,000*							200	
210	38.0	156.1	9,200							210	
200	55	80.9	265.8	10,000*							55
	60	79.8	264.8	10,000*							60
	65	78.7	263.6	10,000*	80.9	262.4	10,000*				65
	70	77.6	262.4	10,000*	79.7	261.2	10,000*				70
	75	76.5	261.1	10,000*	78.6	259.8	10,000*	80.7	257.0	10,000*	75
	80	75.3	259.7	10,000*	77.5	258.4	10,000*	79.6	255.6	10,000*	80
	90	73.1	256.5	10,000*	75.2	255.2	10,000*	77.3	252.3	10,000*	90
	100	70.7	252.8	10,000*	72.9	251.5	10,000*	74.9	248.6	10,000*	100
	110	68.4	248.7	10,000*	70.5	247.4	10,000*	72.5	244.4	10,000*	110
	120	66.0	244.1	10,000*	68.1	242.8	10,000*	70.1	239.8	10,000*	120
	130	63.6	239.0	10,000*	65.6	237.6	10,000*	67.6	234.5	10,000*	130
	140	61.1	233.3	10,000*	63.1	231.9	10,000*	65.0	228.8	10,000*	140
	150	58.5	227.1	10,000*	60.5	225.6	10,000*	62.4	222.3	10,000*	150
160	55.8	220.1	10,000*	57.9	218.6	10,000*	59.7	215.3	10,000*	160	
170	53.1	212.5	10,000*	55.1	210.9	10,000*	56.9	207.4	10,000*	170	
180	50.3	204.0	10,000*	52.2	202.4	10,000*				180	
190	47.3	194.7	10,000*	49.2	193.0	10,000*				190	
200	44.1	184.2	9,800	46.1	182.4	10,000*				200	
210	40.8	172.6	8,600							210	
220	37.2	159.4	7,400*							220	

LIFT CRANE JIB CAPACITIES

MEETS
ANSI B30.5
REQUIREMENTS

4100W SERIES 2

JIB NO. 123 WITH 12' 6" STRUT ON
BOOM NO. 22C WITH OPEN THROAT TOP
OFFSET 4-1/2 DEGREES - 146,400 LB. CRANE COUNTERWEIGHT
60,000 LB. CARBODY COUNTERWEIGHT
26' 6" CRAWLERS EXTENDED

60 FOOT JIB

BOOM LGTH. FEET	JIB OPER. RAD. FEET	0 DEGREE OFFSET			10 DEGREE OFFSET			20 DEGREE OFFSET			JIB OPER. RAD. FEET
		BOOM ANG. DEG.	JIB POINT ELEV. FEET	CAPACITY POUNDS	BOOM ANG. DEG.	JIB POINT ELEV. FEET	CAPACITY POUNDS	BOOM ANG. DEG.	JIB POINT ELEV. FEET	CAPACITY POUNDS	
210	60	80.2	275.0	10,000*							60
	65	79.1	273.9	10,000*							65
	70	78.1	272.7	10,000*	80.1	271.5	10,000*				70
	75	77.0	271.4	10,000*	79.0	270.2	10,000*				75
	80	75.9	270.1	10,000*	77.9	268.8	10,000*	80.0	265.9	10,000*	80
	90	73.7	267.0	10,000*	75.7	265.7	10,000*	77.8	262.8	10,000*	90
	100	71.5	263.5	10,000*	73.5	262.2	10,000*	75.5	259.3	10,000*	100
	110	69.2	259.6	10,000*	71.3	258.3	10,000*	73.2	255.3	10,000*	110
	120	66.9	255.2	10,000*	69.0	253.8	10,000*	70.9	250.8	10,000*	120
	130	64.6	250.3	10,000*	66.6	248.9	10,000*	68.5	245.8	10,000*	130
	140	62.2	244.9	10,000*	64.2	243.5	10,000*	66.1	240.3	10,000*	140
	150	59.8	238.9	10,000*	61.8	237.5	10,000*	63.6	234.2	10,000*	150
	160	57.3	232.4	10,000*	59.2	230.9	10,000*	61.0	227.5	10,000*	160
	170	54.7	225.2	10,000*	56.6	223.6	10,000*	58.4	220.1	10,000*	170
	180	52.0	217.2	10,000*	53.9	215.6	10,000*	55.7	212.0	10,000*	180
	190	49.2	208.5	10,000*	51.1	206.8	10,000*				190
	200	46.3	198.8	9,400	48.2	197.0	9,900				200
	210	43.3	188.1	8,100	45.1	186.2	8,600				210
220	40.0	176.1	6,900*							220	
230	36.5	162.5	5,600*							230	
220	60	80.5	285.2	10,000*							60
	65	79.5	284.1	10,000*							65
	70	78.5	283.0	10,000*	80.5	281.7	10,000*				70
	75	77.4	281.8	10,000*	79.4	280.5	10,000*				75
	80	76.4	280.4	10,000*	78.4	279.2	10,000*	80.4	276.3	10,000*	80
	90	74.3	277.5	10,000*	76.3	276.2	10,000*	78.2	273.3	10,000*	90
	100	72.2	274.2	10,000*	74.1	272.8	10,000*	76.0	269.9	10,000*	100
	110	70.0	270.4	10,000*	72.0	269.0	10,000*	73.9	266.0	10,000*	110
	120	67.8	266.2	10,000*	69.8	264.8	10,000*	71.6	261.8	10,000*	120
	130	65.6	261.5	10,000*	67.5	260.1	10,000*	69.4	257.0	10,000*	130
	140	63.3	256.3	10,000*	65.2	254.9	10,000*	67.0	251.7	10,000*	140
	150	61.0	250.6	10,000*	62.9	249.2	10,000*	64.7	245.9	10,000*	150
	160	58.6	244.4	10,000*	60.5	242.9	10,000*	62.2	239.6	10,000*	160
	170	56.1	237.6	10,000*	58.0	236.0	10,000*	59.7	232.6	10,000*	170
	180	53.6	230.1	10,000*	55.5	228.5	10,000*	57.2	224.9	10,000*	180
	190	51.0	221.8	10,000*	52.8	220.2	10,000*				190
	200	48.3	212.8	8,800	50.1	211.1	9,400				200
	210	45.4	202.8	7,500*	47.2	201.0	8,000				210
220	42.4	191.8	6,100*							220	
230	39.2	179.5	4,800*							230	
230	60	80.9	295.3	10,000*							60
	65	79.9	294.3	10,000*							65
	70	78.9	293.3	10,000*	80.8	292.0	10,000*				70
	75	77.9	292.1	10,000*	79.8	290.8	10,000*				75
	80	76.9	290.8	10,000*	78.8	289.5	10,000*	80.7	286.6	10,000*	80
	90	74.8	288.0	10,000*	76.8	286.6	10,000*	78.6	283.7	10,000*	90
	100	72.8	284.7	10,000*	74.7	283.4	10,000*	76.6	280.4	10,000*	100
	110	70.7	281.1	10,000*	72.6	279.8	10,000*	74.4	276.7	10,000*	110
	120	68.6	277.1	10,000*	70.5	275.7	10,000*	72.3	272.6	10,000*	120
	130	66.5	272.6	10,000*	68.3	271.2	10,000*	70.1	268.1	10,000*	130
	140	64.3	267.6	10,000*	66.2	266.2	10,000*	67.9	263.0	10,000*	140
	150	62.1	262.2	10,000*	63.9	260.8	10,000*	65.7	257.5	10,000*	150
	160	59.8	256.3	10,000*	61.6	254.8	10,000*	63.3	251.4	10,000*	160
	170	57.5	249.7	10,000*	59.3	248.2	10,000*	61.0	244.8	10,000*	170
	180	55.1	242.6	10,000*	56.9	241.1	10,000*	58.5	237.5	10,000*	180
	190	52.6	234.9	9,700	54.4	233.2	10,000*	56.0	229.6	10,000*	190
	200	50.0	226.4	8,300	51.8	224.7	8,900				200
	210	47.4	217.0	6,800*	49.1	215.3	7,500*				210
220	44.6	206.8	5,400*	46.3	204.9	6,000*				220	
230	41.6	195.5	4,100*							230	

JIB LIFTING CAPACITIES

MEETS
ANSI B30.5
REQUIREMENTS

4100W
SERIES-2

**JIB NO. 123 WITH 12'6" STRUT ON
BOOM NO. 22C WITH OPEN THROAT TOP OFFSET 4½ DEGREES
26'6" CRAWLERS-EXTENDED**

0 DEGREE JIB OFFSET ANGLE

Chart supplements boom capacity chart No. 6934-B. Capacities are for freely suspended loads based on tipping, strength of structural components or other factors. Crane operator judgment must be used to allow for dynamic load effects of swinging, hoisting or lowering, travel, as well as adverse operating conditions and physical machine depreciation.

the horizontal distance from the axis of rotation to the center of vertical hoist line or load block. Weight of all load blocks, hooks, weight ball, slings, hoist lines beneath boom and jib point sheaves, etc., including those on the main boom is considered part of the jib load. Boom and jib are not to be lowered beyond radii where combined weights are greater than rated capacity. Maximum capacity on 1½" — 6 x 31 IPS, IWRC is 28,300 lbs./line. Refer to jib assembly No. 43730.

Capacities do not exceed **75%** of a static tipping load with machine on firm level surface. Capacities based on structural competence are denoted by shaded areas. Operating radius is

30 FOOT JIB	JIB POINT RADIUS: FEET	CAPACITIES IN POUNDS				JIB POINT RADIUS: FEET
		BOOM LENGTH — FEET				
		70	80	90	100	
	60 *	40,000	40,000	40,000	40,000	60 *
	65	40,000	40,000	40,000	40,000	65
	70	40,000	40,000	40,000	40,000	70
	75	40,000	40,000	40,000	40,000	75
	80	39,100	40,000	40,000	40,000	80
	85	38,800	40,000	40,000	40,000	85
	90	34,700	37,800	40,000	40,000	90
	95		35,800	40,000	40,000	95
	100		34,000	38,300	40,000	100
	105			36,600	39,100	105
	110				37,500	110
	115				36,000	115

40 FOOT JIB	JIB POINT RADIUS: FEET	CAPACITIES IN POUNDS				JIB POINT RADIUS: FEET
		BOOM LENGTH — FEET				
		70	80	90	100	
	75 *	30,000	30,000	30,000	30,000	75 *
	80	30,000	30,000	30,000	30,000	80
	85	29,800	30,000	30,000	30,000	85
	90	28,100	30,000	30,000	30,000	90
	95	26,500	28,700	30,000	30,000	95
	100	25,200	27,300	30,000	30,000	100
	105		25,900	29,000	30,000	105
	110			27,700	29,500	110
	115			26,600	28,300	115
	120				27,200	120

50 FOOT JIB	JIB POINT RADIUS: FEET	CAPACITIES IN POUNDS				JIB POINT RADIUS: FEET
		BOOM LENGTH — FEET				
		70	80	90	100	
	95 *	20,000	20,000	20,000	20,000	95 *
	100	20,000	20,000	20,000	20,000	100
	105	20,000	20,000	20,000	20,000	105
	110	19,600	20,000	20,000	20,000	110
	115		20,000	20,000	20,000	115
	120			20,000	20,000	120
	125			20,000	20,000	125
	130				20,000	130

60 FOOT JIB	JIB POINT RADIUS: FEET	CAPACITIES IN POUNDS				JIB POINT RADIUS: FEET
		BOOM LENGTH — FEET				
		70	80	90	100	
	115 *	10,000	10,000	10,000	10,000	115 *
	120		10,000	10,000	10,000	120
	125		10,000	10,000	10,000	125
	130			10,000	10,000	130
	135			10,000	10,000	135
	140				10,000	140

* These capacities apply for ALL lesser radii obtainable.

JIB NO. 123 WITH 12'6" STRUT ON
BOOM NO. 22C WITH OPEN THROAT TOP OFFSET 4½ DEGREES
26'6" CRAWLERS-EXTENDED

10 DEGREE JIB OFFSET ANGLE

Chart supplements boom capacity chart No. 6934-B. Capacities are for freely suspended loads based on tipping, strength of structural components or other factors. Crane operator judgment must be used to allow for dynamic load effects of swinging, hoisting or lowering, travel, as well as adverse operating conditions and physical machine depreciation.

Capacities do not exceed **75%** of a static tipping load with machine on firm level surface. Capacities based on structural competence are denoted by shaded areas. Operating radius is

the horizontal distance from the axis of rotation to the center of vertical hoist line or load block. Weight of all load blocks, hooks, weight ball, slings, hoist lines beneath boom and jib point sheaves, etc., including those on the main boom is considered part of the jib load. Boom and jib are not to be lowered beyond radii where combined weights are greater than rated capacity. Maximum capacity on 1½" — 6 x 31 IPS, IWRC is 28,300 lbs./line. Refer to jib assembly No. 43730.

30 FOOT JIB	JIB POINT RADIUS: FEET	CAPACITIES IN POUNDS				JIB POINT RADIUS: FEET
		BOOM LENGTH — FEET				
		70	80	90	100	
	45 *	40,000	40,000	40,000	40,000	45 *
	50	40,000	40,000	40,000	40,000	50
	55	40,000	40,000	40,000	40,000	55
	60	40,000	40,000	40,000	40,000	60
	65	40,000	40,000	40,000	40,000	65
	70	38,500	40,000	40,000	40,000	70
	75	36,500	39,000	40,000	40,000	75
	80	34,700	37,100	40,000	40,000	80
	85		35,400	38,800	40,000	85
	90		33,900	37,200	39,000	90
	95			35,700	37,500	95
	100				36,200	100

40 FOOT JIB	JIB POINT RADIUS: FEET	CAPACITIES IN POUNDS				JIB POINT RADIUS: FEET
		BOOM LENGTH — FEET				
		70	80	90	100	
	65 *	30,000	30,000	30,000	30,000	65 *
	70	30,000	30,000	30,000	30,000	70
	75	29,200	30,000	30,000	30,000	75
	80	27,700	29,500	30,000	30,000	80
	85	26,400	28,100	30,000	30,000	85
	90	25,200	26,900	29,300	30,000	90
	95		25,700	28,100	29,500	95
	100		24,700	27,100	28,400	100
	105			26,100	27,300	105
	110				26,400	110

50 FOOT JIB	JIB POINT RADIUS: FEET	CAPACITIES IN POUNDS				JIB POINT RADIUS: FEET
		BOOM LENGTH — FEET				
		70	80	90	100	
	85 *	20,000	20,000	20,000	20,000	85 *
	90	20,000	20,000	20,000	20,000	90
	95	20,000	20,000	20,000	20,000	95
	100	19,600	20,000	20,000	20,000	100
	105		20,000	20,000	20,000	105
	110		19,200	20,000	20,000	110
	115			20,000	20,000	115
	120				20,000	120

60 FOOT JIB	JIB POINT RADIUS: FEET	CAPACITIES IN POUNDS				JIB POINT RADIUS: FEET
		BOOM LENGTH — FEET				
		70	80	90	100	
	105 *	10,000	10,000	10,000	10,000	105 *
	110	10,000	10,000	10,000	10,000	110
	115		10,000	10,000	10,000	115
	120			10,000	10,000	120
	125			10,000	10,000	125
	130				10,000	130

* These capacities apply for ALL lesser radii obtainable.

JIB LIFTING CAPACITIES

MEETS
ANSI B30.5
REQUIREMENTS

4100W
SERIES-2

JIB NO. 123 WITH 12'6" STRUT ON
BOOM NO. 22C WITH OPEN THROAT TOP OFFSET 4½ DEGREES
26'6" CRAWLERS-EXTENDED

20 DEGREE JIB OFFSET ANGLE

Chart supplements boom capacity chart No. 6934-B. Capacities are for freely suspended loads based on tipping, strength of structural components or other factors. Crane operator judgment must be used to allow for dynamic load effects of swinging, hoisting or lowering, travel, as well as adverse operating conditions and physical machine depreciation.

the horizontal distance from the axis of rotation to the center of vertical hoist line or load block. Weight of all load blocks, hooks, weight ball, slings, hoist lines beneath boom and jib point sheaves, etc., including those on the main boom is considered part of the jib load. Boom and jib are not to be lowered beyond radii where combined weights are greater than rated capacity. Maximum capacity on 1½" — 6 x 31 IPS, IWRC is 28,300 lbs./line. Refer to jib assembly No. 43730.

Capacities do not exceed **75%** of a static tipping load with machine on firm level surface. Capacities based on structural competence are denoted by shaded areas. Operating radius is

30 FOOT JIB	JIB POINT RADIUS: FEET	CAPACITIES IN POUNDS				JIB POINT RADIUS: FEET
		BOOM LENGTH — FEET				
		70	80	90	100	
	40	40,000	40,000	40,000		40
	45	40,000	40,000	40,000	40,000	45
	50	40,000	40,000	40,000	40,000	50
	55	38,800	40,000	40,000	40,000	55
	60	36,500	36,400	40,000	40,000	60
	65	34,800	36,600	38,900	40,000	65
	70	33,200	36,000	37,300	38,500	70
	75	31,800	33,600	35,800	37,000	75
	80		32,300	34,500	35,700	80
	85			33,400	34,600	85
	90				33,500	90

40 FOOT JIB	JIB POINT RADIUS: FEET	CAPACITIES IN POUNDS				JIB POINT RADIUS: FEET
		BOOM LENGTH — FEET				
		70	80	90	100	
	55 *	30,000	30,000	30,000	30,000	55 *
	60	29,200	30,000	30,000	30,000	60
	65	27,700	29,000	30,000	30,000	65
	70	26,900	27,600	29,300	30,000	70
	75	25,200	26,400	28,100	29,000	75
	80	24,100	25,400	27,000	27,900	80
	85		24,400	26,100	26,900	85
	90			25,200	26,000	90
	95				25,200	95
	100				24,500	100

50 FOOT JIB	JIB POINT RADIUS: FEET	CAPACITIES IN POUNDS				JIB POINT RADIUS: FEET
		BOOM LENGTH — FEET				
		70	80	90	100	
	70 *	20,000	20,000	20,000	20,000	70 *
	75	20,000	20,000	20,000	20,000	75
	80	20,000	20,000	20,000	20,000	80
	85	19,500	20,000	20,000	20,000	85
	90	18,800	19,700	20,000	20,000	90
	95		19,000	20,000	20,000	95
	100			19,600	20,000	100
	105				19,700	105

60 FOOT JIB	JIB POINT RADIUS: FEET	CAPACITIES IN POUNDS				JIB POINT RADIUS: FEET
		BOOM LENGTH — FEET				
		70	80	90	100	
	90 *	10,000	10,000	10,000	10,000	90 *
	95	10,000	10,000	10,000	10,000	95
	100	10,000	10,000	10,000	10,000	100
	105		10,000	10,000	10,000	105
	110			10,000	10,000	110
	115				10,000	115

* These capacities apply for ALL lesser radii obtainable.

LIFTCRANE CAPACITIES

MEETS
ANSI B30.5
REQUIREMENTS

4100W SERIES 2 CRAWLER

BOOM NO. 22A WITH HAMMERHEAD TOP
146,400 LB. CRANE COUNTERWEIGHT
60,000 LB. CARBODY COUNTERWEIGHT
26'6" CRAWLERS EXTENDED

WARNING: This chart will apply only when two 12,000 lb. side ctwts. and two 30,000 lb. carbody ctwts. bear MEC registered Serial Numbers.

LIFTING CAPACITIES: Capacities for various boom lengths and operating radii are for freely suspended loads and do not exceed **75%** of a static tipping load. Capacities based on structural competence are shown by shaded areas.

Upper boom point capacity for liftcrane service with single part whip line is 28,300 lbs. In all cases, upper boom point capacities cannot exceed those listed for the main boom capacity.

Capacities are shown in pounds. Weight of jib, (see chart A), all load blocks, hooks, weight ball, slings, hoist lines, etc., beneath boom and jib point sheaves, is to be considered part of the main boom load. Boom is not to be lowered beyond radii where combined weights are greater than rated capacity. Where no capacity is shown, operation is not intended or approved.

OPERATING CONDITIONS: Machine to operate in a level position on a firm surface with crawlers fully extended and gantry up. Refer to rigging No. 190993 and load line specification chart No. 6605-A.

Crane operator judgment must be used to allow for dynamic load effects of swinging, hoisting or lowering, travel, wind conditions, as well as adverse operating conditions and physical machine depreciation.

OPERATING RADIUS: Operating radius is the horizontal distance from the axis of rotation to the center of vertical hoist line or load block with the load freely suspended. Add 14" to boom point radius for radius of sheave when using single part hoist line.

Boom angle is the angle between horizontal and centerline of boom butt and inserts and is an indication of operating radius. In all cases, operating radius shall govern capacity.

BOOM POINT ELEVATION: Boom point elevation, in feet, is the vertical distance from ground level to centerline of boom point shaft.

MACHINE EQUIPMENT: Machine equipped with 26'6" extendible crawlers, 48" treads, 17' retractable gantry, 12 part boom hoist reeving, four 1-3/8" boom pendants, 1st ctwt. 41,900 lbs., 2nd ctwt. 41,500 lbs., 3rd ctwt. 39,000 lbs., two 12,000 lbs. side ctwt's. and two 30,000 lbs. carbody ctwt's.

HOIST REEVING FOR MAIN LOAD BLOCK						
No. Parts of Line	1	2	3	4	5	6
Max. Load — Lbs.	32,500	65,000	97,500	130,000	162,500	195,000
No. Parts of Line	7	8	9	10	11	12
Max. Load — Lbs.	227,500	260,000	292,500	325,000	357,500	400,000
No. Parts of Line	13	14				
Max. Load — Lbs.	430,000	460,000				

LOAD AND WHIP LINE SPECIFICATIONS	
LOAD LINE: 1-1/8" — 6x31 Warrington-Seale, Extra Improved Plow Steel, Regular Lay, IWRC. Minimum Breaking Strength 65 Ton. (Approx. Weight Per Ft. in Lbs. 2.34)	
WHIP LINE: 1-1/8" — 6x31 Warrington-Seale, Improved Plow Steel, Regular Lay, IWRC. Minimum Breaking Strength 56.5 Ton. Maximum Load — 28,300 Lbs. Per Line. (Approx. Weight Per Ft. in Lbs. 2.34)	

MAXIMUM BOOM AND JIB LENGTHS LIFTED UNASSISTED				(A) DEDUCT FROM CAPACITIES WHEN JIB IS ATTACHED	
OVER FRONT OF BLOCKED CRAWLERS		OVER SIDE OF EXTENDED CRAWLERS			
Boom Lgth.	Jib No. 123	Boom Lgth.	Jib No. 123	Jib Lgth.	Jib No. 123
260'	—	260'	—	30'	2,800 Lb.
250'	—	250'	—	40'	3,600 Lb.
240'	40'	240'	40'	50'	4,400 Lb.
230'	60'	230'	60'	60'	5,200 Lb.

Load block, hook and weight ball on ground at start. To comply with B30.5 requirements, upper boom point cannot be used on 260' boom.

For jib capacities, consult jib chart.

Boom Lgth.: Feet	Oper. Rad.: Feet	Boom Ang.: Deg.	Boom Point: Elev.	Capacity: Crawlers Extended	Boom Lgth.: Feet	Oper. Rad.: Feet	Boom Ang.: Deg.	Boom Point: Elev.	Capacity: Crawlers Extended	Boom Lgth.: Feet	Oper. Rad.: Feet	Boom Ang.: Deg.	Boom Point: Elev.	Capacity: Crawlers Extended	
16.5	82.4	76.0	460,000	17	83.0	86.0	379,400	18	83.1	96.0	344,200	19	83.2	105.9	332,800
17	81.9	75.9	398,900	18	82.2	85.8	376,200	19	82.5	95.8	341,100	20	82.6	105.8	323,900
18	81.1	75.7	380,100	19	81.5	85.6	361,800	20	81.8	95.6	333,900	22	81.5	105.4	307,600
19	80.3	75.5	362,900	20	80.8	85.5	346,000	22	80.5	95.2	317,300	24	80.3	105.0	285,800
20	79.4	75.2	347,100	22	79.3	85.0	318,200	24	79.2	94.8	292,200	26	79.1	104.6	261,200
22	77.8	74.7	319,300	24	77.8	84.5	292,800	26	77.9	94.3	265,100	28	78.0	104.1	236,900
24	76.1	74.2	293,500	26	76.4	84.0	265,700	28	76.6	93.8	237,200	30	76.8	103.6	213,400
26	74.3	73.5	266,400	28	74.9	83.4	237,400	30	75.3	93.2	213,800	32	75.6	103.1	194,000
28	72.6	72.8	237,700	30	73.4	82.7	214,000	32	73.9	92.6	194,400	34	74.4	102.4	177,700
30	70.9	72.1	214,400	32	71.8	82.0	194,700	34	72.6	91.9	178,100	36	73.2	101.8	163,800
32	69.1	71.2	195,000	34	70.3	81.2	178,400	36	71.2	91.2	164,200	38	72.0	101.1	151,800
34	67.3	70.3	178,800	36	68.8	80.4	164,500	38	69.9	90.4	152,200	40	70.8	100.4	141,300
36	65.5	69.3	164,900	38	67.2	79.5	152,500	40	68.5	89.5	141,800	45	67.7	98.3	120,200
38	63.6	68.3	152,900	40	65.6	78.5	142,100	45	65.0	87.2	120,700	50	64.5	95.9	104,200
40	61.7	67.1	142,500	45	61.5	75.8	121,000	50	61.3	84.4	104,700	55	61.2	93.1	91,700
45	56.8	63.8	121,500	50	57.2	72.5	105,100	55	57.6	81.2	92,200	60	57.8	89.9	81,600
50	51.6	59.9	105,500	55	52.7	68.7	92,600	60	53.6	77.5	82,100	65	54.3	86.3	73,400
55	45.9	55.1	93,100	60	47.9	64.2	82,500	65	49.4	73.3	73,900	70	50.6	82.2	66,400
60	39.6	49.1	83,000	65	42.7	58.9	74,300	70	44.9	68.3	66,900	75	46.6	77.5	60,500
65	32.1	41.5	74,700	70	36.8	52.3	67,300	75	40.0	62.4	61,000	80	42.4	72.1	55,500
70	22.3	30.5	67,800	75	29.8	44.0	61,400	80	34.5	55.3	56,000	85	37.8	65.7	51,100
				80	20.6	32.2	56,300	85	28.0	46.4	51,600	90	32.6	58.1	47,200
												95	26.4	48.6	43,800

CAUTION! CHECK AMOUNT OF COUNTERWEIGHT ON MACHINE BEFORE USE OF THIS CHART.

Capacities continued on reverse side.

**LIFTCRANE CAPACITIES — 4100W SERIES 2
BOOM NO. 22A WITH HAMMERHEAD TOP, CONT'D**

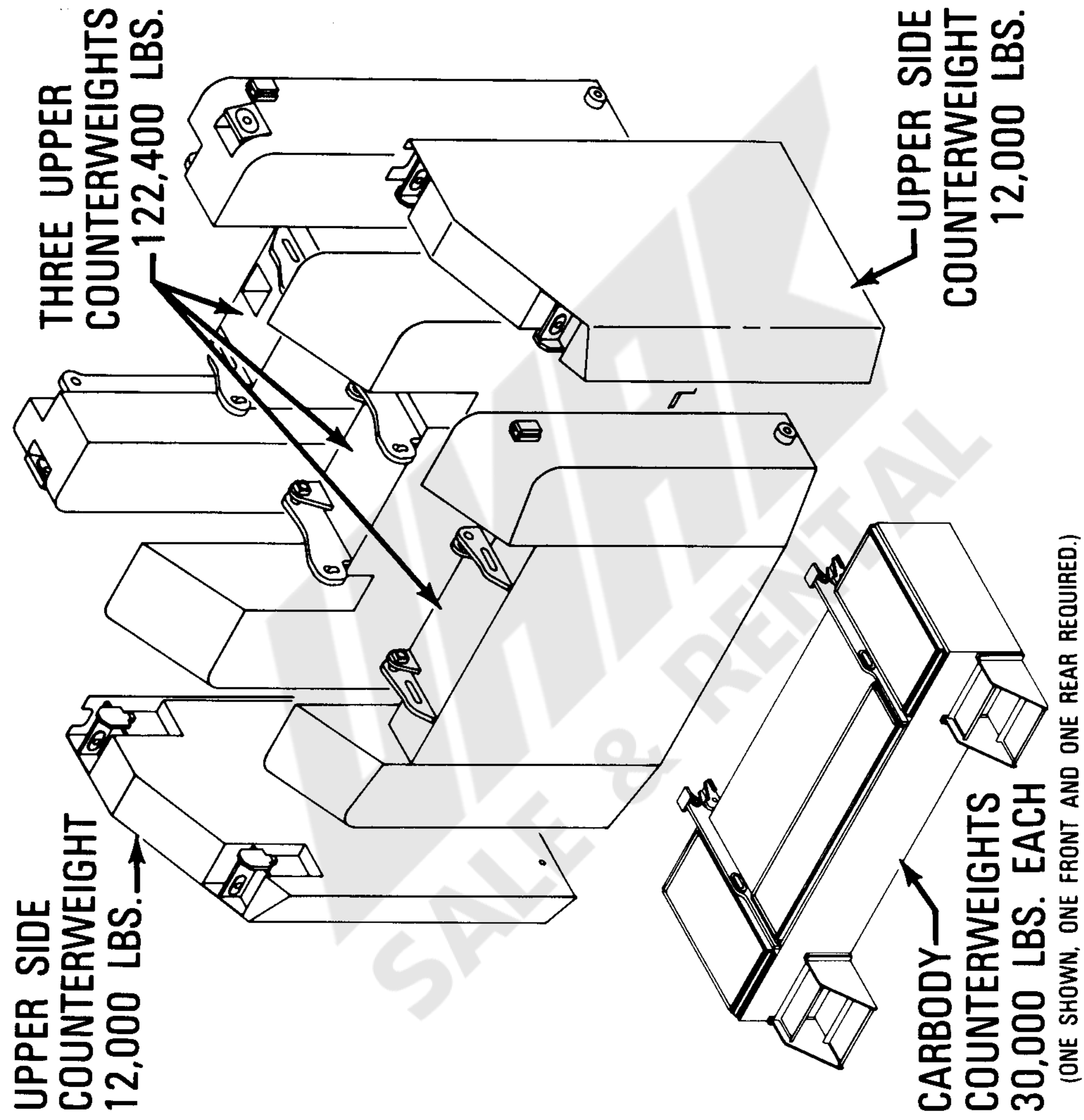
SEE CONDITIONS

Boom Lgth.: Feet	Oper. Rad.: Feet	Boom Ang.: Deg.	Boom Point: Elev.	Capacity: Crawlers Extended	Boom Lgth.: Feet	Oper. Rad.: Feet	Boom Ang.: Deg.	Boom Point: Elev.	Capacity: Crawlers Extended
230	36	82.8	234.8	123,600	250	40	82.5	254.4	105,200
	38	82.3	234.5	120,800		45	81.3	253.6	99,300
	40	81.8	234.2	118,000		50	80.1	252.8	93,400
	45	80.5	233.3	111,100		55	79.0	251.8	85,700
	50	79.3	232.4	99,200		60	77.8	250.7	75,500
	55	78.0	231.3	86,500		65	76.6	249.5	67,200
	60	76.7	230.1	76,300		70	75.4	248.2	60,100
	65	75.4	228.8	68,000		75	74.2	246.7	54,200
	70	74.1	227.4	61,000		80	73.0	245.2	49,100
	75	72.8	225.8	55,000		85	71.8	243.5	44,600
	80	71.5	224.1	49,900		90	70.6	241.8	40,700
	85	70.2	222.3	45,500		95	69.4	239.9	37,300
	90	68.8	220.3	41,600		100	68.2	237.9	34,200
	95	67.5	218.3	38,100		105	66.9	235.7	31,500
	100	66.1	216.0	35,100		110	65.7	233.4	29,000
	105	64.8	213.7	32,300		115	64.4	231.0	26,700
	110	63.4	211.1	29,800		120	63.1	228.5	24,700
	115	62.0	208.5	27,600		125	61.8	225.8	22,800
	120	60.5	205.6	25,600		130	60.5	222.9	21,100
	125	59.1	202.6	23,700		135	59.1	220.0	19,500
	130	57.6	199.4	22,000		140	57.8	216.8	18,100
	135	56.1	196.1	20,400		145	56.4	213.5	16,700
	140	54.6	192.5	18,900		150	55.0	210.0	15,500
	145	53.0	188.7	17,600		155	53.6	206.3	14,300
	150	51.4	184.7	16,300		160	52.1	202.4	13,200
155	49.8	180.5	15,200	165	50.7	198.3	12,200		
160	48.1	176.0	14,100	170	49.1	194.0	11,200		
165	46.4	171.3	13,100	175	47.6	189.4	10,300		
170	44.6	166.2	12,100	180	46.0	184.6	9,500		
175	42.8	160.8	11,200	185	44.4	179.5	8,600		
180	40.9	155.1	10,300	190	42.7	174.1	7,800		
185	38.9	148.9	9,500	195	40.9	168.3	6,900		
190	36.8	142.3	8,800	200	39.1	162.2	6,100		
195	34.7	135.2	8,100	205	37.2	155.7	5,300		
200	32.4	127.4	7,300	210	35.3	148.7	4,500		
205	29.9	118.8	6,500	40	82.8	264.5	99,000		
210	27.2	109.3	5,800	45	81.6	263.8	93,500		
240	38	82.6	244.6	114,000	50	80.5	262.9	88,100	
	40	82.1	244.3	111,400	55	79.4	262.0	82,700	
	45	80.9	243.5	105,000	60	78.3	260.9	75,100	
	50	79.7	242.6	98,700	65	77.1	259.8	66,700	
	55	78.5	241.5	86,100	70	76.0	258.5	59,600	
	60	77.3	240.4	75,900	75	74.9	257.1	53,700	
	65	76.0	239.1	67,500	80	73.7	255.7	48,600	
	70	74.8	237.8	60,500	85	72.6	254.1	44,100	
	75	73.6	236.3	54,500	90	71.4	252.4	40,200	
	80	72.3	234.7	49,400	95	70.2	250.6	36,700	
	85	71.0	232.9	44,900	100	69.0	248.6	33,700	
	90	69.8	231.1	41,000	105	67.9	246.6	30,900	
	95	68.5	229.1	37,600	110	66.7	244.4	28,400	
	100	67.2	227.0	34,500	115	65.4	242.1	26,200	
	105	65.9	224.7	31,800	120	64.2	239.7	24,100	
	110	64.6	222.3	29,300	125	63.0	237.2	22,300	
	115	63.2	219.8	27,000	130	61.7	234.5	20,600	
	120	61.9	217.1	25,000	135	60.5	231.6	19,000	
	125	60.5	214.3	23,100	140	59.2	228.6	17,500	
	130	59.1	211.3	21,400	145	57.9	225.5	16,200	
	135	57.7	208.1	19,800	150	56.6	222.2	14,900	
	140	56.3	204.8	18,400	155	55.2	218.7	13,700	
	145	54.8	201.2	17,000	160	53.8	215.0	12,600	
	150	53.3	197.5	15,800	165	52.5	211.2	11,600	
	155	51.8	193.6	14,600	170	51.0	207.1	10,600	
160	50.2	189.4	13,500	175	49.6	202.9	9,700		
165	48.6	185.0	12,500	180	48.1	198.4	8,900		
170	47.0	180.4	11,500	185	46.6	193.7	7,900		
175	45.3	175.4	10,600	190	45.0	188.7	7,000		
180	43.6	170.2	9,800	195	43.4	183.4	6,100		
185	41.8	164.6	9,000	200	41.8	177.9	5,300		
190	40.0	158.7	8,200	205	40.1	172.0	4,500		
195	38.0	152.4	7,300						
200	36.0	145.5	6,500						
205	33.9	138.2	5,700						
210	31.6	130.2	5,000						

CAUTION

BOTH CARBODY COUNTERWEIGHTS MUST ALWAYS BE ATTACHED TO CARBODY BEFORE ATTACHING THE UPPER SIDE COUNTERWEIGHTS TO THE UPPER COUNTERWEIGHTS. LIKEWISE, THE UPPER SIDE COUNTERWEIGHTS MUST BE REMOVED FROM THE UPPER COUNTERWEIGHTS BEFORE REMOVING THE CARBODY COUNTERWEIGHTS. NEVER OPERATE THE MACHINE WITH UPPER SIDE COUNTERWEIGHTS IN PLACE UNLESS BOTH CARBODY COUNTERWEIGHTS ARE ALSO IN PLACE.

4100W SERIES 2



JIB LIFTING CAPACITIES

MEETS
ANSI B30.5
REQUIREMENTS

4100W

SERIES-2

JIB NO. 123 WITH 12'6" STRUT ON
BOOM NO. 22A WITH HAMMERHEAD TOP
26'6" CRAWLERS — EXTENDED

10 DEGREE JIB OFFSET ANGLE

Chart supplements boom capacity chart No. 6961-A. Capacities are for freely suspended loads based on tipping, strength of structural components or other factors. Crane operator judgment must be used to allow for dynamic load effects of swinging, hoisting or lowering, travel, wind conditions, as well as adverse operating conditions and physical machine depreciation.

competence are denoted by shaded areas. Operating radius is the horizontal distance from axis of rotation to the center of vertical hoist line or load block. Weight of all load blocks, hooks, weight ball, slings, hoist lines, etc., beneath boom and jib point sheaves, is considered part of the jib load. Boom and jib are not to be lowered beyond radii where combined weights are greater than rated capacity. Maximum capacity on 1 1/8" — 6 x 31 IPS, IWRC is 28,300 lbs./line. Refer to jib assembly No. 43730.

Capacities do not exceed **75%** of a static tipping load with machine on a firm, level surface. Capacities based on structural

30 FOOT JIB	JIB POINT RADIUS: FEET	CAPACITIES IN POUNDS													JIB POINT RADIUS: FEET
		BOOM LENGTH — FEET													
		110	120	130	140	150	160	170	180	190	200	210	220	230	
90 *	40,000	40,000	40,000	40,000	40,000	40,000	40,000	40,000	40,000	40,000	40,000	40,000	40,000	40,000	90 *
95	40,000	40,000	40,000	40,000	40,000	40,000	40,000	40,000	40,000	40,000	40,000	40,000	39,800	39,300	95
100	40,000	40,000	40,000	40,000	40,000	39,900	39,700	39,100	38,600	38,100	37,700	37,200	36,700	36,200	100
105	39,600	39,000	38,800	38,200	37,700	37,200	36,900	36,300	35,900	35,300	35,000	34,400	33,900	33,400	105
110	37,200	36,600	36,300	35,800	35,300	34,700	34,400	33,900	33,400	32,800	32,500	31,900	31,400	30,900	110
115	34,900	34,300	34,100	33,500	33,000	32,400	32,200	31,600	31,100	30,500	30,200	29,700	29,200	28,600	115
120		32,300	32,000	31,500	31,000	30,400	30,100	29,500	29,000	28,500	28,200	27,600	27,100	26,600	120
125		30,400	30,200	29,600	29,100	28,500	28,200	27,700	27,200	26,600	26,300	25,700	25,200	24,700	125
130			28,500	27,900	27,400	26,800	26,500	25,900	25,400	24,900	24,600	24,000	23,500	22,900	130
140				24,800	24,300	23,700	23,500	22,900	22,400	21,800	21,500	20,900	20,400	19,900	140
150					21,700	21,100	20,800	20,300	19,800	19,200	18,900	18,300	17,800	17,200	150
160							18,600	18,000	17,500	16,900	16,600	16,000	15,500	14,900	160
170								16,000	15,500	14,900	14,600	14,000	13,500	12,900	170
180									13,700	13,100	12,800	12,200	11,700	11,200	180
190											11,200	10,700	10,100	9,600	190
200												9,200	8,700	8,200	200

40 FOOT JIB	JIB POINT RADIUS: FEET	CAPACITIES IN POUNDS													JIB POINT RADIUS: FEET
		BOOM LENGTH — FEET													
		110	120	130	140	150	160	170	180	190	200	210	220	230	
110 *	30,000	30,000	30,000	30,000	30,000	30,000	30,000	30,000	30,000	30,000	30,000	30,000	30,000	30,000	110 *
115	29,400	30,000	30,000	30,000	30,000	30,000	30,000	30,000	30,000	30,000	30,000	30,000	29,800	29,200	115
120	28,400	29,800	30,000	30,000	30,000	30,000	30,000	30,000	29,600	29,000	28,700	28,200	27,700	27,200	120
125		28,800	30,000	30,000	29,600	29,000	28,700	28,200	27,700	27,100	26,800	26,300	25,800	25,200	125
130			27,900	28,900	28,300	27,800	27,300	27,000	26,400	25,900	25,400	25,100	24,500	24,000	130
135				27,300	26,700	26,200	25,700	25,400	24,800	24,300	23,800	23,500	22,900	22,400	135
140				25,800	25,300	24,800	24,200	23,900	23,400	22,900	22,300	22,000	21,400	20,900	140
145					23,900	23,400	22,800	22,500	22,000	21,500	20,900	20,600	20,100	19,600	145
150						22,100	21,500	21,300	20,700	20,200	19,600	19,300	18,800	18,300	150
160							19,200	19,000	18,400	17,900	17,300	17,000	16,500	16,000	160
170								16,900	16,400	15,900	15,300	15,000	14,400	13,900	170
180									14,100	13,500	13,200	12,600	12,100	11,600	180
190											11,900	11,600	11,100	10,500	190
200												10,200	9,600	9,100	200

50 FOOT JIB	JIB POINT RADIUS: FEET	CAPACITIES IN POUNDS													JIB POINT RADIUS: FEET
		BOOM LENGTH — FEET													
		110	120	130	140	150	160	170	180	190	200	210	220	230	
130 *	20,000	20,000	20,000	20,000	20,000	20,000	20,000	20,000	20,000	20,000	20,000	20,000	20,000	20,000	130 *
135		20,000	20,000	20,000	20,000	20,000	20,000	20,000	20,000	20,000	20,000	20,000	20,000	20,000	135
140			20,000	20,000	20,000	20,000	20,000	20,000	20,000	20,000	20,000	20,000	20,000	20,000	140
145				20,000	20,000	20,000	20,000	20,000	20,000	20,000	20,000	20,000	20,000	20,000	145
150					20,000	20,000	20,000	20,000	20,000	20,000	19,800	19,300	18,800		150
155						20,000	20,000	20,000	20,000	19,500	18,900	18,600	18,100	17,600	155
160							20,000	19,700	19,400	18,800	18,400	17,800	17,500	16,900	160
165								18,600	18,300	17,800	17,300	16,700	16,400	15,900	165
170									17,600	17,400	16,800	16,300	15,800	15,400	170
180											15,000	14,500	14,000	13,600	180
190												12,900	12,300	12,000	190
200													10,900	10,600	200

60 FOOT JIB	JIB POINT RADIUS: FEET	CAPACITIES IN POUNDS													JIB POINT RADIUS: FEET
		BOOM LENGTH — FEET													
		110	120	130	140	150	160	170	180	190	200	210	220	230	
140 *	10,000	10,000	10,000	10,000	10,000	10,000	10,000	10,000	10,000	10,000	10,000	10,000	10,000	10,000	140 *
145		10,000	10,000	10,000	10,000	10,000	10,000	10,000	10,000	10,000	10,000	10,000	10,000	10,000	145
150			10,000	10,000	10,000	10,000	10,000	10,000	10,000	10,000	10,000	10,000	10,000	10,000	150
155				10,000	10,000	10,000	10,000	10,000	10,000	10,000	10,000	10,000	10,000	10,000	155
160					10,000	10,000	10,000	10,000	10,000	10,000	10,000	10,000	10,000	10,000	160
170						10,000	10,000	10,000	10,000	10,000	10,000	10,000	10,000	10,000	170
180							10,000	10,000	10,000	10,000	10,000	10,000	10,000	10,000	180
190								10,000	10,000	10,000	10,000	10,000	10,000	10,000	190
200										10,000	10,000	10,000	10,000	9,800	200
210											9,900	9,500	9,000	8,500	210

* These capacities apply for ALL lesser radii obtainable.

JIB LIFTING CAPACITIES

MEETS
ANSI B30.5
REQUIREMENTS

4100W
SERIES-2

JIB NO. 123 WITH 12'6" STRUT ON
BOOM NO. 22A WITH HAMMERHEAD TOP
26'6" CRAWLERS — EXTENDED

20 DEGREE JIB OFFSET ANGLE

Chart supplements boom capacity chart No. 6961-A. Capacities are for freely suspended loads based on tipping, strength of structural components or other factors. Crane operator judgment must be used to allow for dynamic load effects of swinging, hoisting or lowering, travel, wind conditions, as well as adverse operating conditions and physical machine depreciation.

Capacities do not exceed **75%** of a static tipping load with machine on a firm, level surface. Capacities based on structural

competence are denoted by shaded areas. Operating radius is the horizontal distance from axis of rotation to the center of vertical hoist line or load block. Weight of all load blocks, hooks, weight ball, slings, hoist lines, etc., beneath boom and jib point sheaves, is considered part of the jib load. Boom and jib are not to be lowered beyond radii where combined weights are greater than rated capacity. Maximum capacity on 1 1/8" — 6 x 31 IPS, IWRC is 28,300 lbs./line. Refer to jib assembly No. 43730.

30 FOOT JIB	JIB POINT RADIUS: FEET	CAPACITIES IN POUNDS														JIB POINT RADIUS: FEET
		BOOM LENGTH — FEET														
		110	120	130	140	150	160	170	180	190	200	210	220	230	240	
70 *	40,000	40,000	40,000	40,000	40,000	40,000	40,000	40,000	40,000	40,000	40,000	40,000	40,000	40,000	40,000	70 *
75	38,900	40,000	40,000	40,000	40,000	40,000	40,000	40,000	40,000	40,000	40,000	40,000	40,000	40,000	40,000	75
80	37,300	38,700	40,000	40,000	40,000	40,000	40,000	40,000	40,000	40,000	40,000	40,000	40,000	40,000	40,000	80
85	35,800	37,200	38,500	39,800	40,000	40,000	40,000	40,000	40,000	40,000	40,000	40,000	40,000	40,000	40,000	85
90	34,400	35,800	37,100	38,400	39,600	40,000	40,000	40,000	40,000	40,000	40,000	40,000	40,000	40,000	40,000	90
95	33,200	34,600	35,800	37,100	38,200	39,400	40,000	40,000	40,000	40,000	40,000	40,000	40,000	40,000	40,000	95
100	32,100	33,400	34,700	35,900	37,000	38,100	39,200	39,700	39,200	38,700	38,400	37,900	37,500	37,000	37,000	100
105	31,100	32,300	33,600	34,800	35,900	37,000	37,400	36,900	36,400	35,900	35,600	35,100	34,600	34,100	34,100	105
110		31,400	32,600	33,700	34,800	35,100	34,900	34,400	33,900	33,400	33,100	32,600	32,100	31,600	31,600	110
115			31,600	32,800	33,400	32,800	32,600	32,100	31,600	31,100	30,800	30,300	29,800	29,300	29,300	115
120			30,800	31,800	31,300	30,800	30,500	30,000	29,500	29,000	28,700	28,200	27,700	27,200	27,200	120
130				27,700	27,100	26,900	26,300	25,800	25,300	25,000	24,500	24,000	23,500	23,500	23,500	130
140					24,000	23,800	23,200	22,700	22,200	21,900	21,400	20,900	20,300	20,300	20,300	140
150							20,500	20,100	19,500	19,200	18,700	18,200	17,700	17,700	17,700	150
160								17,700	17,200	16,900	16,300	15,900	15,300	15,300	15,300	160
170									14,800	14,300	13,800	13,300	13,300	13,300	13,300	170

40 FOOT JIB	JIB POINT RADIUS: FEET	CAPACITIES IN POUNDS														JIB POINT RADIUS: FEET
		BOOM LENGTH — FEET														
		110	120	130	140	150	160	170	180	190	200	210	220	230	240	
75 *	30,000	30,000	30,000	30,000	30,000	30,000	30,000	30,000	30,000	30,000	30,000	30,000	30,000	30,000	30,000	75 *
80	28,800	29,800	30,000	30,000	30,000	30,000	30,000	30,000	30,000	30,000	30,000	30,000	30,000	30,000	30,000	80
85	27,700	28,700	29,600	30,000	30,000	30,000	30,000	30,000	30,000	30,000	30,000	30,000	30,000	30,000	30,000	85
90	26,700	27,600	28,500	29,300	30,000	30,000	30,000	30,000	30,000	30,000	30,000	30,000	30,000	30,000	30,000	90
95	25,700	26,700	27,500	28,400	29,200	29,900	30,000	30,000	30,000	30,000	30,000	30,000	30,000	30,000	30,000	95
100	24,900	25,800	26,600	27,500	28,200	29,000	29,700	30,000	30,000	30,000	30,000	30,000	30,000	30,000	30,000	100
110	23,300	24,200	25,000	25,800	26,600	27,300	28,000	28,700	29,400	30,000	30,000	30,000	30,000	30,000	30,000	110
120			23,700	24,400	25,200	25,900	26,600	27,200	27,900	28,500	29,100	28,900	28,400	27,900	27,900	120
130				23,200	23,900	24,600	25,300	25,900	26,500	25,900	25,700	25,100	24,700	24,200	24,200	130
140					23,500	24,100	23,800	23,300	22,800	22,500	22,000	21,500	21,000	21,000	21,000	140
150						21,600	21,100	20,600	20,100	19,800	19,300	18,800	18,300	18,300	18,300	150
160								18,300	17,700	17,400	16,900	16,400	15,900	15,900	15,900	160
170									15,700	15,400	14,800	14,400	13,800	13,800	13,800	170
180											13,000	12,500	12,000	12,000	12,000	180

50 FOOT JIB	JIB POINT RADIUS: FEET	CAPACITIES IN POUNDS														JIB POINT RADIUS: FEET
		BOOM LENGTH — FEET														
		110	120	130	140	150	160	170	180	190	200	210	220	230		
105 *	20,000	20,000	20,000	20,000	20,000	20,000	20,000	20,000	20,000	20,000	20,000	20,000	20,000	20,000	20,000	105 *
110	19,500	20,000	20,000	20,000	20,000	20,000	20,000	20,000	20,000	20,000	20,000	20,000	20,000	20,000	20,000	110
115	18,900	19,600	20,000	20,000	20,000	20,000	20,000	20,000	20,000	20,000	20,000	20,000	20,000	20,000	20,000	115
120	18,400	19,000	19,700	20,000	20,000	20,000	20,000	20,000	20,000	20,000	20,000	20,000	20,000	20,000	20,000	120
125		18,500	19,100	19,700	20,000	20,000	20,000	20,000	20,000	20,000	20,000	20,000	20,000	20,000	20,000	125
130			18,600	19,200	19,800	20,000	20,000	20,000	20,000	20,000	20,000	20,000	20,000	20,000	20,000	130
135				18,700	19,300	19,800	20,000	20,000	20,000	20,000	20,000	20,000	20,000	20,000	20,000	135
140				18,300	18,800	19,300	19,900	20,000	20,000	20,000	20,000	20,000	20,000	20,000	20,000	140
150						18,500	19,000	19,500	19,900	20,000	20,000	19,900	19,400	19,400	19,400	150
160								18,700	18,800	18,300	18,000	17,500	17,000	17,000	17,000	160
170									16,700	16,200	15,900	15,400	14,900	14,900	14,900	170
180											14,000	13,500	13,100	13,100	13,100	180

60 FOOT JIB	JIB POINT RADIUS: FEET	CAPACITIES IN POUNDS														JIB POINT RADIUS: FEET
		BOOM LENGTH — FEET														
		110	120	130	140	150	160	170	180	190	200	210	220	230		
130 *	10,000	10,000	10,000	10,000	10,000	10,000	10,000	10,000	10,000	10,000	10,000	10,000	10,000	10,000	10,000	130 *
135		10,000	10,000	10,000	10,000	10,000	10,000	10,000	10,000	10,000	10,000	10,000	10,000	10,000	10,000	135
140			10,000	10,000	10,000	10,000	10,000	10,000	10,000	10,000	10,000	10,000	10,000	10,000	10,000	140
145				10,000	10,000	10,000	10,000	10,000	10,000	10,000	10,000	10,000	10,000	10,000	10,000	145
150					10,000	10,000	10,000	10,000	10,000	10,000	10,000	10,000	10,000	10,000	10,000	150
155					10,000	10,000	10,000	10,000	10,000	10,000	10,000	10,000	10,000	10,000	10,000	155
160						10,000	10,000	10,000	10,000	10,000	10,000	10,000	10,000	10,000	10,000	160
170							10,000	10,000	10,000	10,000	10,000	10,000	10,000	10,000	10,000	170
180									10,000	10,000	10,000	10,000	10,000	10,000	10,000	180
190											10,000	10,000	10,000	10,000	10,000	190

* These capacities apply for ALL lesser radii obtainable.

LIFT CRANE CAPACITIES

MEETS
ANSI B30.5
REQUIREMENTS

4100W SERIES 2 CRAWLER

BOOM NO. 22A WITH LIGHT TAPERED TOP
146,400 LB. CRANE COUNTERWEIGHT
60,000 LB. CARBODY COUNTERWEIGHT
26'6" CRAWLERS EXTENDED

WARNING: This chart will apply only when two 12,000 lb. side ctwts. and two 30,000 lb. carbody ctwts. bear MEC registered Serial Numbers.

LIFTING CAPACITIES: Capacities for various boom lengths and operating radii are for freely suspended loads and do not exceed 75% of a static tipping load. Capacities based on structural competence are shown by shaded areas.

Upper boom point capacity for single part whip line is 28,300 lbs. In all cases, upper boom capacities cannot exceed those listed for the main boom capacity.

Capacities are shown in pounds. Weight of upper boom point, jib, (see chart A), all load blocks, hooks, weight ball, slings, hoist lines, etc., beneath boom and jib point sheaves, is considered part of the main boom load. Boom is not to be lowered beyond radii where combined weights are greater than rated capacity. Where no capacity is shown, operation is not intended or approved.

OPERATING CONDITIONS: Machine to operate in a level position on a firm surface with crawlers fully extended and gantry in working position and be rigged in accordance with and under conditions referred to in rigging drawing No. 50935 and load line specification chart No. 6670-A.

Crane operator judgment must be used to allow for dynamic load effects of swinging, hoisting or lowering, travel, wind conditions, as well as adverse operating conditions and physical machine depreciation.

OPERATING RADIUS: Operating radius is the horizontal distance from the axis of rotation to the center of vertical hoist line or load block with the load freely suspended. Add 14" to boom point radius for radius of sheave when using single part hoist line.

Boom angle is the angle between horizontal and centerline of boom butt and inserts and is an indication of operating radius. In all cases, operating radius shall govern capacity.

BOOM POINT ELEVATION: Boom point elevation, in feet, is the vertical distance from ground level to centerline of boom

point shaft.

MACHINE EQUIPMENT: Machine equipped with 26'6" extendible crawlers, 48" treads, 17' retractable gantry, 12 part boom hoist reeving, four 1-3/8" boom pendants, 1st ctwt. 41,900 lbs., 2nd ctwt. 41,500 lbs., 3rd ctwt. 39,000 lbs., two 12,000 lbs. side ctwt's. and two 30,000 lbs. carbody ctwt's.

HOIST REEVEING FOR MAIN LOAD BLOCK						
No. Parts of Line	1	2	3	4	5	6
Max. Load — Lbs.	32,500	65,000	97,500	130,000	162,500	195,000
No. Parts of Line	7	8				
Max. Load — Lbs.	227,500	260,000				

LOAD AND WHIP LINE SPECIFICATIONS	
LOAD LINE: 1 1/2" — 6x31 Warrington-Seale, Extra Improved Plow Steel, Regular Lay, IWRC. Minimum Breaking Strength 65 Ton. Approx. Weight Per Ft. in lbs. 2.34.	
WHIP LINE: 1 1/2" — 6x31 Warrington-Seale, Improved Plow Steel, Regular Lay, IWRC. Minimum Breaking Strength 56.5 Ton. Maximum Load — 28,300 lbs. Per Line. Approx. Weight Per Ft. in lbs. 2.34.	

MAXIMUM BOOM AND JIB LENGTHS LIFTED UNASSISTED				(A) DEDUCT FROM CAPACITIES WHEN JIB IS ATTACHED	
OVER FRONT OF CRAWLERS		OVER SIDE OF EXTENDED CRAWLERS			
Bm. Lgth.	Jib No. 123	Bm. Lgth.	Jib No. 123	Jib Lgth.	Jib No. 123
280'	—	280'	—	30'	2,500 lb.
270'	30'	270'	30'	40'	3,000 lb.
260'	50'	260'	50'	50'	3,700 lb.
250'	60'	250'	60'	60'	4,400 lb.

Load block, hook and weight ball on ground at start.
Upper boom point cannot be used on 280' boom.

DEDUCT FROM CAPACITIES WHEN UPPER BOOM POINT IS ATTACHED	
One Sheave Point	1,100 lb.

For jib capacities, consult jib chart.

Boom Lgth.: Feet	Oper. Rad.: Feet	Boom Angle: Deg.	Boom Point: Elev.	Capacity: Crawlers Extended	Boom Lgth.: Feet	Oper. Rad.: Feet	Boom Angle: Deg.	Boom Point: Elev.	Capacity: Crawlers Extended
22	80.6	115.5	260,000	260,000	24	80.4	125.3	260,000	260,000
24	79.5	115.2	260,000	260,000	26	79.4	125.0	260,000	260,000
26	78.5	114.8	260,000	239,400	28	78.5	124.6	239,400	239,400
28	77.4	114.4	239,900	216,000	30	77.5	124.2	216,000	216,000
30	76.3	113.9	216,500	196,600	32	76.5	123.7	196,600	196,600
32	75.3	113.4	197,200	180,300	34	75.5	123.2	180,300	180,300
34	74.2	112.8	180,900	166,400	36	74.5	122.7	166,400	166,400
36	73.1	112.2	167,000	154,500	38	73.5	122.1	154,500	154,500
38	72.0	111.6	155,000	144,000	40	72.5	121.5	144,000	144,000
40	70.9	110.9	144,600	123,000	45	70.0	119.8	123,000	123,000
45	68.1	109.1	123,600	107,000	50	67.5	117.8	107,000	107,000
50	65.3	106.9	107,700	94,500	55	64.8	115.6	94,500	94,500
55	62.4	104.5	95,200	84,500	60	62.2	113.1	84,500	84,500
60	59.4	101.7	85,200	76,200	65	59.4	110.3	76,200	76,200
65	56.3	98.5	76,900	69,300	70	56.6	107.2	69,300	69,300
70	53.1	95.0	70,000	63,500	75	53.7	103.7	63,500	63,500
75	49.8	91.0	64,100	58,400	80	50.7	99.9	58,400	58,400
80	46.3	86.5	59,100	54,000	85	47.5	95.5	54,000	54,000
85	42.6	81.4	54,700	50,200	90	44.2	90.7	50,200	50,200
90	38.6	75.6	50,900	46,800	95	40.7	85.2	46,800	46,800
95	34.2	68.8	47,500	43,800	100	36.9	79.0	43,800	43,800
100	29.2	60.7	44,500	41,100	105	32.7	71.8	41,100	41,100
105	23.3	50.6	41,800	38,600	110	28.0	63.3	38,600	38,600
110	15.5	36.4	37,700	36,400	115	22.3	52.6	36,400	36,400

Boom Lgth.: Feet	Oper. Rad.: Feet	Boom Angle: Deg.	Boom Point: Elev.	Capacity: Crawlers Extended	Boom Lgth.: Feet	Oper. Rad.: Feet	Boom Angle: Deg.	Boom Point: Elev.	Capacity: Crawlers Extended
26	80.3	135.1	248,200	248,200	28	80.1	144.9	233,000	233,000
28	79.4	134.8	237,900	237,900	30	79.3	144.6	215,000	215,000
30	78.5	134.4	215,400	215,400	32	78.5	144.2	195,600	195,600
32	77.6	134.0	196,000	196,000	34	77.6	143.8	179,300	179,300
34	76.7	133.5	179,700	179,700	36	76.8	143.3	165,400	165,400
36	75.7	133.0	165,800	165,800	38	75.9	142.8	153,400	153,400
38	74.8	132.5	153,900	153,900	40	75.1	142.3	143,000	143,000
40	73.9	131.9	143,400	143,400	45	73.0	140.9	121,900	121,900
45	71.6	130.4	122,300	122,300	50	70.8	139.2	105,900	105,900
50	69.3	128.6	106,400	106,400	55	68.6	137.4	93,400	93,400
55	66.9	126.6	93,900	93,900	60	66.4	135.3	83,400	83,400
60	64.5	124.3	83,800	83,800	65	64.2	133.0	75,100	75,100
65	62.0	121.8	75,500	75,500	70	61.9	130.5	68,200	68,200
70	59.5	119.0	68,600	68,600	75	59.5	127.7	62,300	62,300
75	56.9	115.9	62,800	62,800	80	57.1	124.6	57,300	57,300
80	54.2	112.5	57,700	57,700	85	54.6	121.2	52,900	52,900
85	51.5	108.7	53,300	53,300	90	52.1	117.5	49,000	49,000
90	48.6	104.5	49,500	49,500	95	49.5	113.4	45,600	45,600
95	45.6	99.8	46,100	46,100	100	46.7	108.9	42,600	42,600
100	42.4	94.7	43,100	43,100	105	43.8	104.0	39,900	39,900
105	39.0	88.9	40,400	40,400	110	40.8	98.5	37,400	37,400
110	35.4	82.3	37,900	37,900	115	37.5	92.3	35,200	35,200
115	31.4	74.7	35,700	35,700	120	34.0	85.4	33,200	33,200
120	26.8	65.7	33,700	33,700	125	30.2	77.4	31,400	31,400
125	21.4	54.5	31,900	31,900	130	25.8	68.0	29,700	29,700
					135	20.7	56.4	28,100	28,100

CAUTION! CHECK AMOUNT OF COUNTERWEIGHT ON MACHINE BEFORE USE OF THIS CHART.

Capacities continued on reverse side.

Main table with columns: Boom Lgth., Oper. Rad., Boom Angle, Boom Point Elev., Capacity Crawlers Extended. Rows are grouped by Boom Lgth. (150, 160, 170, 200, 230) and Oper. Rad. (30, 35, 40, 45, 50, 55, 60, 65, 70, 75, 80, 85, 90, 95, 100, 105, 110, 115, 120, 125, 130, 135, 140, 145, 150, 155, 160, 165, 170, 175, 180, 185, 190, 195, 200, 205, 210, 215, 220, 225, 230).

Capacities continued on next page.

**LIFTCRANE CAPACITIES — 4100W SERIES 2
BOOM NO. 22A WITH LIGHT TAPERED TOP, CONT'D.**

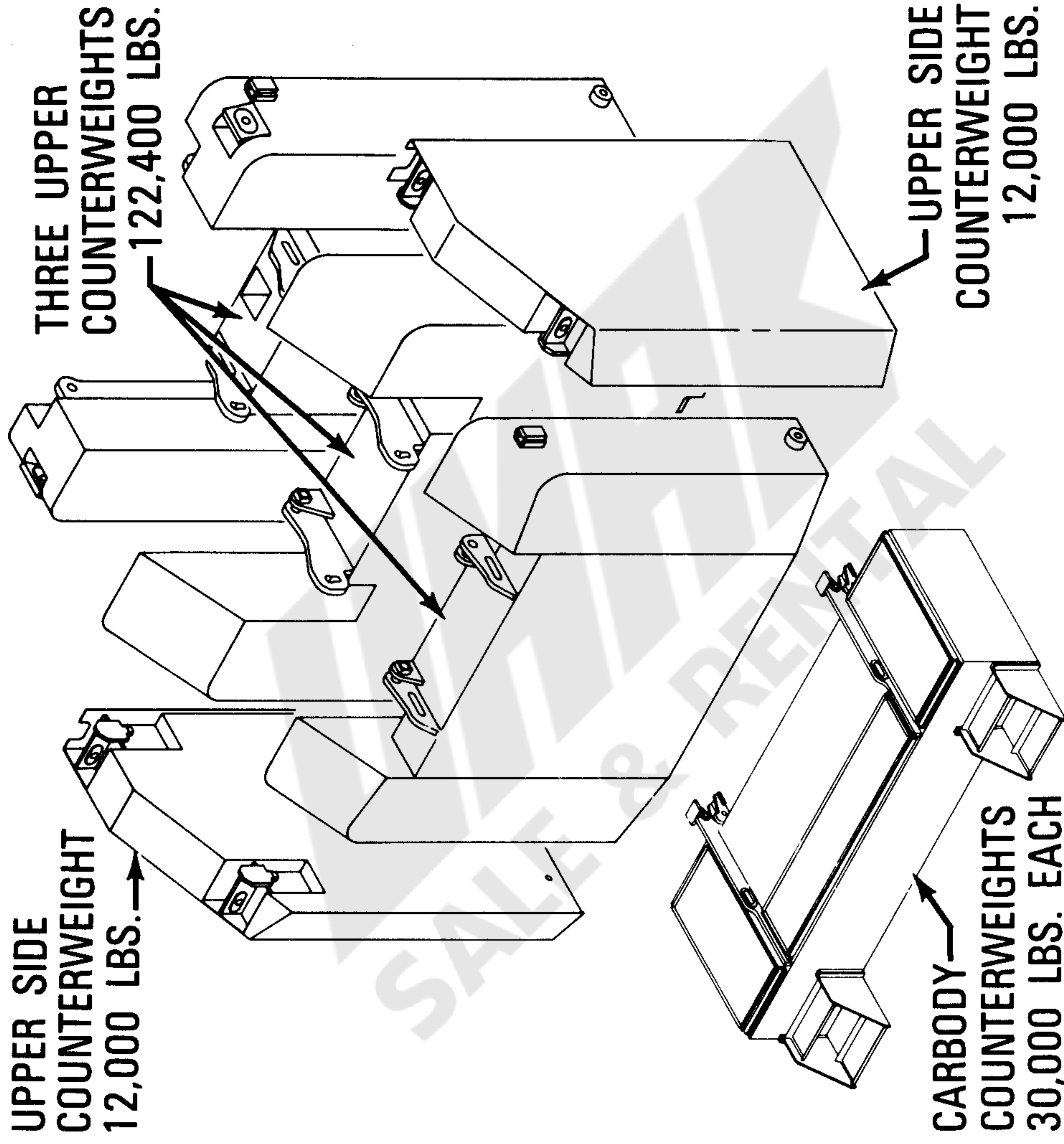
SEE CONDITIONS

Boom Lgth.: Feet	Oper. Rad.: Feet	Boom Angle: Deg.	Boom Point: Elev.	Capacity: Crawlers Extended	Boom Lgth.: Feet	Oper. Rad.: Feet	Boom Angle: Deg.	Boom Point: Elev.	Capacity: Crawlers Extended
260	50	79.8	262.9	97,700	280	50	80.5	283.2	84,400
	55	78.7	262.0	87,800		55	79.5	282.3	81,500
	60	77.6	260.9	77,700		60	78.5	281.3	76,700
	65	76.4	259.7	69,400		65	77.4	280.3	68,300
	70	75.3	258.5	62,400		70	76.4	279.1	61,400
	75	74.2	257.1	56,500		75	75.3	277.9	55,500
	80	73.0	255.6	51,400		80	74.3	276.5	50,400
	85	71.8	254.1	47,000		85	73.2	275.0	45,900
	90	70.7	252.4	43,200		90	72.1	273.5	42,100
	95	69.5	250.6	39,700		95	71.0	271.8	38,700
	100	68.3	248.6	36,700		100	69.9	270.0	35,600
	105	67.1	246.6	34,000		105	68.9	268.2	32,900
	110	65.9	244.4	31,500		110	67.8	266.2	30,400
	115	64.7	242.1	29,300		115	66.6	264.1	28,200
	120	63.5	239.7	27,300		120	65.5	261.8	26,100
	125	62.3	237.1	25,400		125	64.4	259.5	24,300
	130	61.0	234.4	23,700		130	63.3	257.1	22,600
	135	59.7	231.6	22,100		135	62.1	254.5	21,000
	140	58.5	228.6	20,700		140	60.9	251.8	19,600
	145	57.2	225.5	19,400		145	59.8	248.9	18,200
	150	55.8	222.1	18,100		150	58.6	245.9	17,000
	155	54.5	218.7	16,900		155	57.4	242.8	15,800
	160	53.1	215.0	15,900		160	56.1	239.5	14,700
	165	51.7	211.2	14,900		165	54.9	236.1	13,700
170	50.3	207.1	13,900	170	53.6	232.5	12,800		
175	48.9	202.9	13,000	175	52.4	228.7	11,900		
180	47.4	198.4	12,200	180	51.1	224.8	11,000		
185	45.9	193.7	11,400	185	49.7	220.6	10,200		
190	44.3	188.7	10,600	190	48.4	216.3	9,500		
195	42.7	183.4	9,900	195	47.0	211.7	8,800		
200	41.1	177.8	9,200	200	45.6	207.0	8,100		
205	39.4	171.9	8,600	205	44.1	201.9	7,300		
210	37.6	165.6	8,000	210	42.6	196.6	6,500		
215	35.8	158.9	7,400	215	41.1	191.1	5,800		
220	33.8	151.7	6,700	220	39.5	185.2	5,200		
225	31.8	144.0	6,100	225	37.9	178.9	4,500		
230	29.6	135.6	5,500						
235	27.3	126.3	4,900						
240	24.8	116.1	4,400						
270	50	80.2	273.1	90,500					
	55	79.1	272.1	86,600					
	60	78.0	271.1	77,200					
	65	76.9	270.0	68,800					
	70	75.9	268.8	61,900					
	75	74.8	267.5	56,000					
	80	73.7	266.1	50,900					
	85	72.5	264.6	46,500					
	90	71.4	262.9	42,600					
	95	70.3	261.2	39,200					
	100	69.2	259.4	36,100					
	105	68.0	257.4	33,400					
	110	66.9	255.3	30,900					
	115	65.7	253.1	28,700					
	120	64.6	250.8	26,700					
	125	63.4	248.4	24,800					
	130	62.2	245.8	23,100					
	135	61.0	243.1	21,500					
	140	59.8	240.3	20,100					
	145	58.5	237.3	18,800					
	150	57.3	234.1	17,500					
	155	56.0	230.8	16,400					
	160	54.7	227.4	15,300					
	165	53.4	223.8	14,300					
170	52.1	219.9	13,300						
175	50.7	216.0	12,400						
180	49.3	211.8	11,600						
185	47.9	207.4	10,800						
190	46.5	202.7	10,000						
195	45.0	197.8	9,300						
200	43.5	192.7	8,600						
205	41.9	187.3	8,000						
210	40.3	181.5	7,300						
215	38.6	175.5	6,600						
220	36.9	169.0	5,900						
225	35.1	162.1	5,300						
230	33.2	154.7	4,700						
235	31.2	146.8	4,100						

CAUTION

BOTH CARBODY COUNTERWEIGHTS MUST ALWAYS BE ATTACHED TO CARBODY BEFORE ATTACHING THE UPPER SIDE COUNTERWEIGHTS TO THE UPPER COUNTERWEIGHTS. LIKEWISE, THE UPPER SIDE COUNTERWEIGHTS MUST BE REMOVED FROM THE UPPER COUNTERWEIGHTS BEFORE REMOVING THE CARBODY COUNTERWEIGHTS. NEVER OPERATE THE MACHINE WITH UPPER SIDE COUNTERWEIGHTS IN PLACE UNLESS BOTH CARBODY COUNTERWEIGHTS ARE ALSO IN PLACE.

4100W SERIES 2



LIFT CRANE/CONTAINER HANDLING CAPACITIES

4100W SERIES 2 SPECIAL

**33' STATIONARY TOWER
BOOM NO. 22A WITH CONTAINER HANDLING TOP
182,400 LB. CRANE COUNTERWEIGHT
60,000 LB. CARBODY COUNTERWEIGHT
26'6" CRAWLERS EXTENDED**

CAPACITIES FOR VARIOUS BOOM LENGTHS AND OPERATING RADII ARE FOR FREELY SUSPENDED LOADS AND DO NOT EXCEED 75% OF A STATIC TIPPING LOAD. CAPACITIES BASED ON STRUCTURAL COMPETENCE ARE DENOTED BY AN ASTERISK (*).

CAPACITIES ARE BASED ON USING TWO - 2 PART HOIST LINES WITH A MAXIMUM LOAD OF 65,000 LBS. ON EITHER BLOCK. MAXIMUM LOAD OF 92,000 LBS. IS LIMITED TO THE FIRST TWO LAYERS ON 19" DIAMETER FULL WIDTH DRUMS. MAXIMUM ALLOWABLE LOAD IS 80,000 LBS. WHEN SPOOLING ON THE THIRD LAYER.

WEIGHT OF ALL LOAD BLOCKS, HOOKS, WEIGHT BALL, SLINGS, CONTAINER HANDLING DEVICES, HOIST LINES, ETC., BENEATH BOOM POINT SHEAVES, IS CONSIDERED PART OF THE MAIN BOOM LOAD. BOOM IS NOT TO BE LOWERED BEYOND RADII WHERE COMBINED WEIGHTS ARE GREATER THAN RATED CAPACITY. WHERE NO CAPACITY IS SHOWN, OPERATION IS NOT INTENDED OR APPROVED. RAISING OR LOWERING OF BOOM BELOW HORIZONTAL MUST BE DONE WITHOUT LOAD ON BOOM.

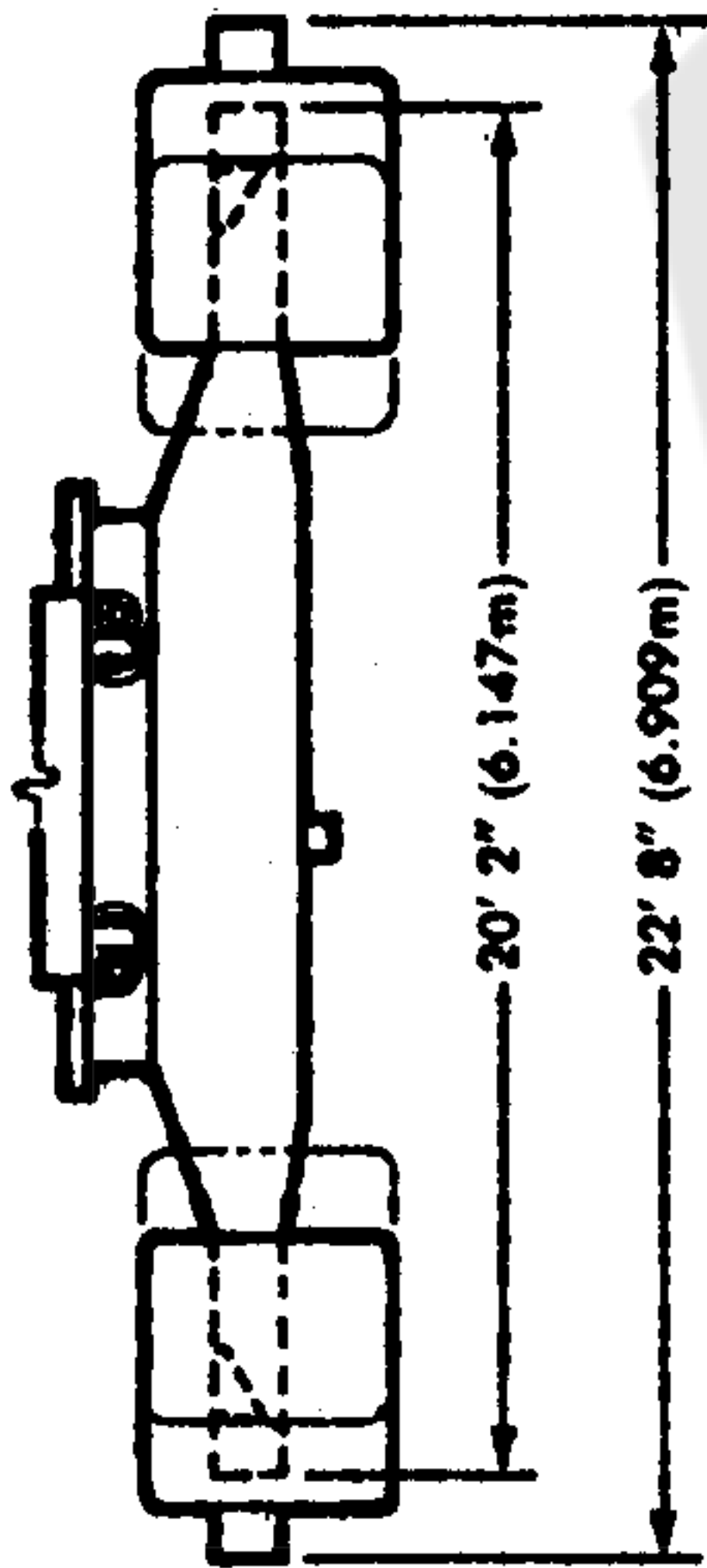
HOIST LINE SPECIFICATIONS: 1-1/8" - 6 X 31 WARRINGTON-SEALE, EXTRA IMPROVED PLOW STEEL, REGULAR LAY, IWRC. MINIMUM BREAKING STRENGTH 130,000 LBS. APPROX. WEIGHT = 2.34 LBS. PER FT.

MACHINE TO OPERATE IN A LEVEL POSITION ON A FIRM UNIFORMLY SUPPORTING SURFACE WITH CRAWLERS FULLY EXTENDED. REFER TO RIGGING NO. 164562. CRANE OPERATOR JUDGMENT MUST BE USED TO ALLOW FOR DYNAMIC LOAD EFFECTS OF SWINGING, HOISTING OR LOWERING, TRAVEL, WIND CONDITIONS, AS WELL AS ADVERSE OPERATING CONDITIONS AND PHYSICAL MACHINE DEPRECIATION.

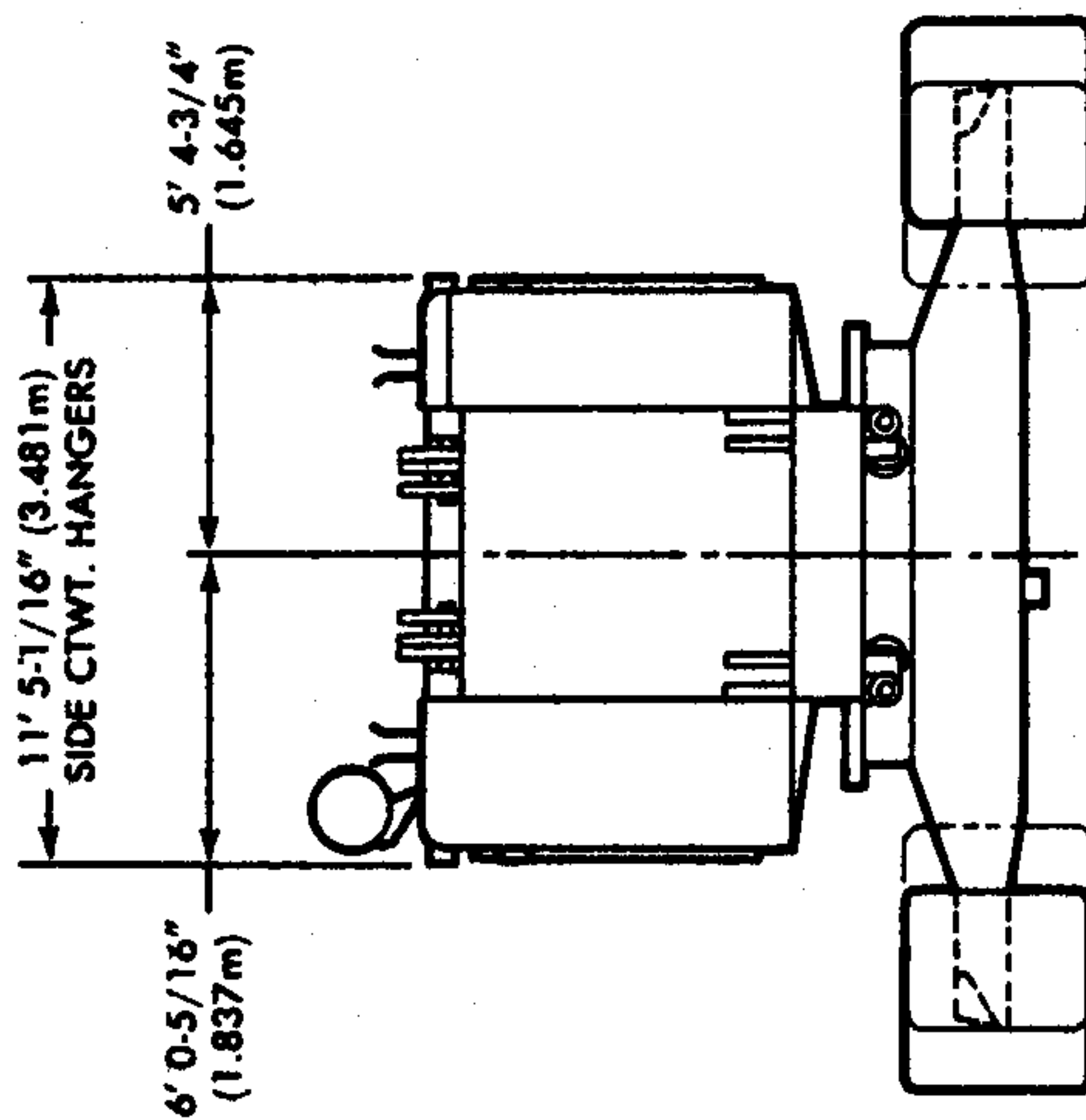
OPERATING RADIUS IS THE HORIZONTAL DISTANCE FROM THE AXIS OF ROTATION TO THE CENTER OF VERTICAL HOIST LINE OR LOAD BLOCK. BOOM ANGLE IS THE ANGLE BETWEEN HORIZONTAL AND CENTERLINE OF THE BOOM BUTT AND INSERTS AND IS AN INDICATION OF OPERATING RADIUS. IN ALL CASES, OPERATING RADIUS SHALL GOVERN CAPACITY. BOOM POINT ELEVATION IS VERTICAL DISTANCE FROM GROUND LEVEL TO CENTERLINE OF BOOM POINT SHAFT.

MACHINE EQUIPPED WITH 26'6" EXTENDIBLE CRAWLERS, 48" TREADS, 15'6" GANTRY, 14 PART BOOM HOIST REEVING, FOUR 1-1/4" BOOM PENDANTS, 1ST COUNTERWEIGHT = 41,900 LBS., 2ND COUNTERWEIGHT = 41,500 LBS., 3RD COUNTERWEIGHT = 39,000 LBS., TWO 30,000 LB. SIDE COUNTERWEIGHTS AND TWO 30,000 LB. CARBODY COUNTERWEIGHTS.

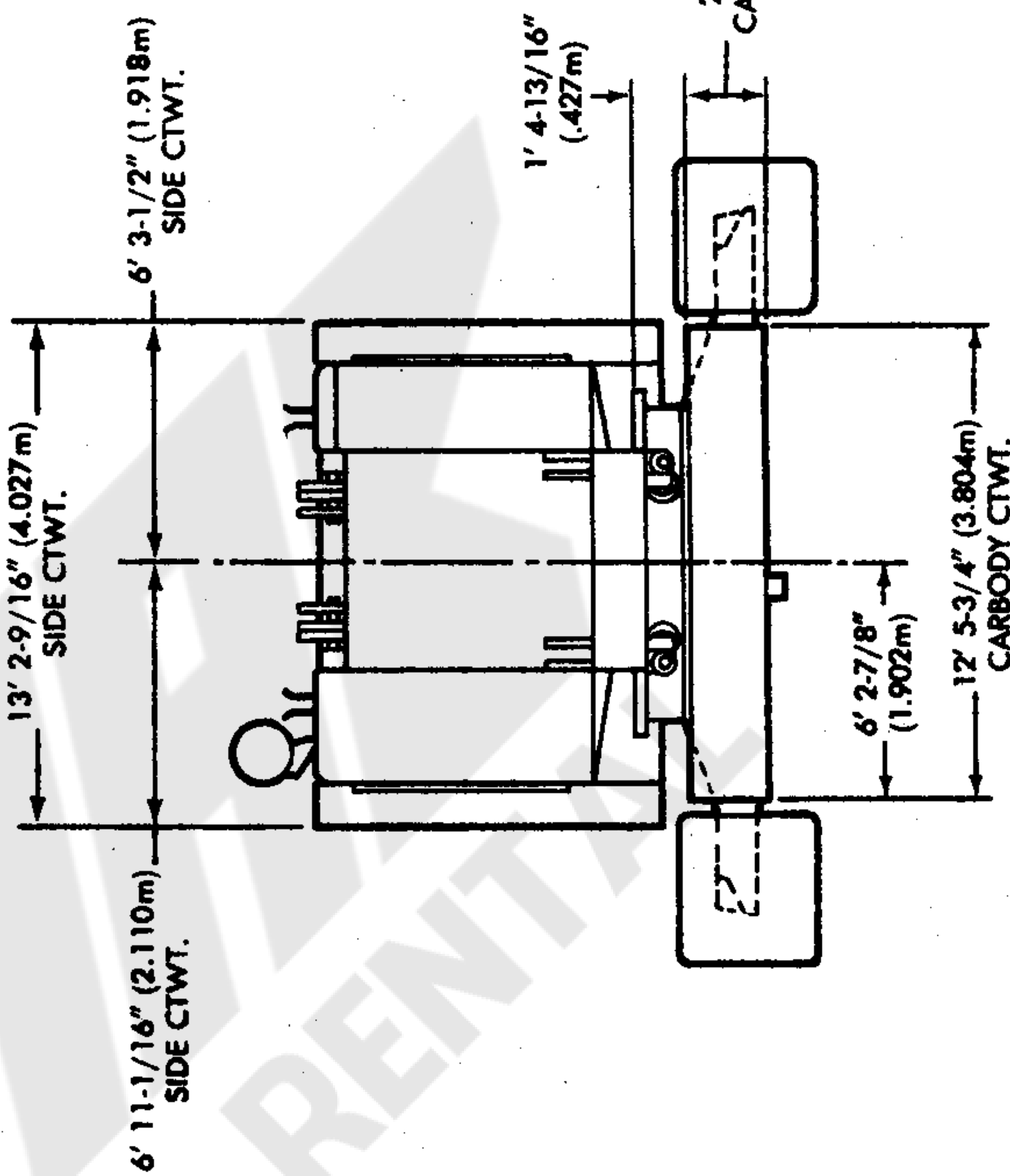
BOOM LGTH. FEET	OPER. RAD. FEET	BOOM ANG. DEG.	BOOM POINT ELEV. FEET	CAPACITY POUNDS	BOOM LGTH. FEET	OPER. RAD. FEET	BOOM ANG. DEG.	BOOM POINT ELEV. FEET	CAPACITY POUNDS	BOOM LGTH. FEET	OPER. RAD. FEET	BOOM ANG. DEG.	BOOM POINT ELEV. FEET	CAPACITY POUNDS
80	22	77.0	118.0	92,000*	90	26	75.9	127.3	92,000*	100	28	76.1	137.1	92,000*
	24	75.5	117.5	92,000*		28	74.5	126.7	92,000*		30	74.9	136.6	92,000*
	26	74.0	116.9	92,000*		30	73.2	126.2	92,000*		32	73.7	136.0	92,000*
	28	72.5	116.3	92,000*		32	71.9	125.5	92,000*		34	72.5	135.4	92,000*
	30	71.0	115.7	92,000*		34	70.5	124.9	92,000*		36	71.3	134.7	92,000*
	32	69.5	114.9	92,000*		36	69.2	124.1	92,000*		38	70.1	134.0	92,000*
	34	68.0	114.2	92,000*		38	67.8	123.3	92,000*		40	68.9	133.3	92,000*
	36	66.4	113.3	92,000*		40	66.4	122.5	92,000*		45	65.8	131.2	92,000*
	38	64.8	112.4	92,000*		45	62.9	120.1	92,000*		50	62.6	128.8	92,000*
	40	63.3	111.4	92,000*		50	59.3	117.4	92,000*		55	59.3	126.0	92,000*
	45	59.2	108.7	92,000*		55	55.5	114.2	92,000*		60	55.9	122.9	92,000*
	50	54.9	105.5	92,000*		60	51.5	110.5	92,000*		65	52.4	119.2	90,000*
	55	50.4	101.6	92,000*		65	47.3	106.2	90,800*		70	48.7	115.1	82,100*
	60	45.6	97.1	92,000*		70	42.8	101.2	82,900*		75	44.8	110.4	75,400*
	65	40.3	91.8	91,800*		75	37.9	95.3	76,100*		80	40.5	105.0	69,600*
	70	34.4	85.2	84,400*		80	32.4	88.2	70,300*		85	35.9	98.6	64,500*
75	27.4	76.9	77,400*	85	25.8	79.2	62,500*	90	30.7	91.0	60,000*			
80	18.2	65.0	58,400*	90	17.1	66.5	49,600*	95	24.5	81.5	53,400*			
										100	16.3	68.0	42,600*	



CARBODY W/ CRAWLERS MODIFIED FOR RINGER APPLICATION W/ TRAVEL ATTACHMENT



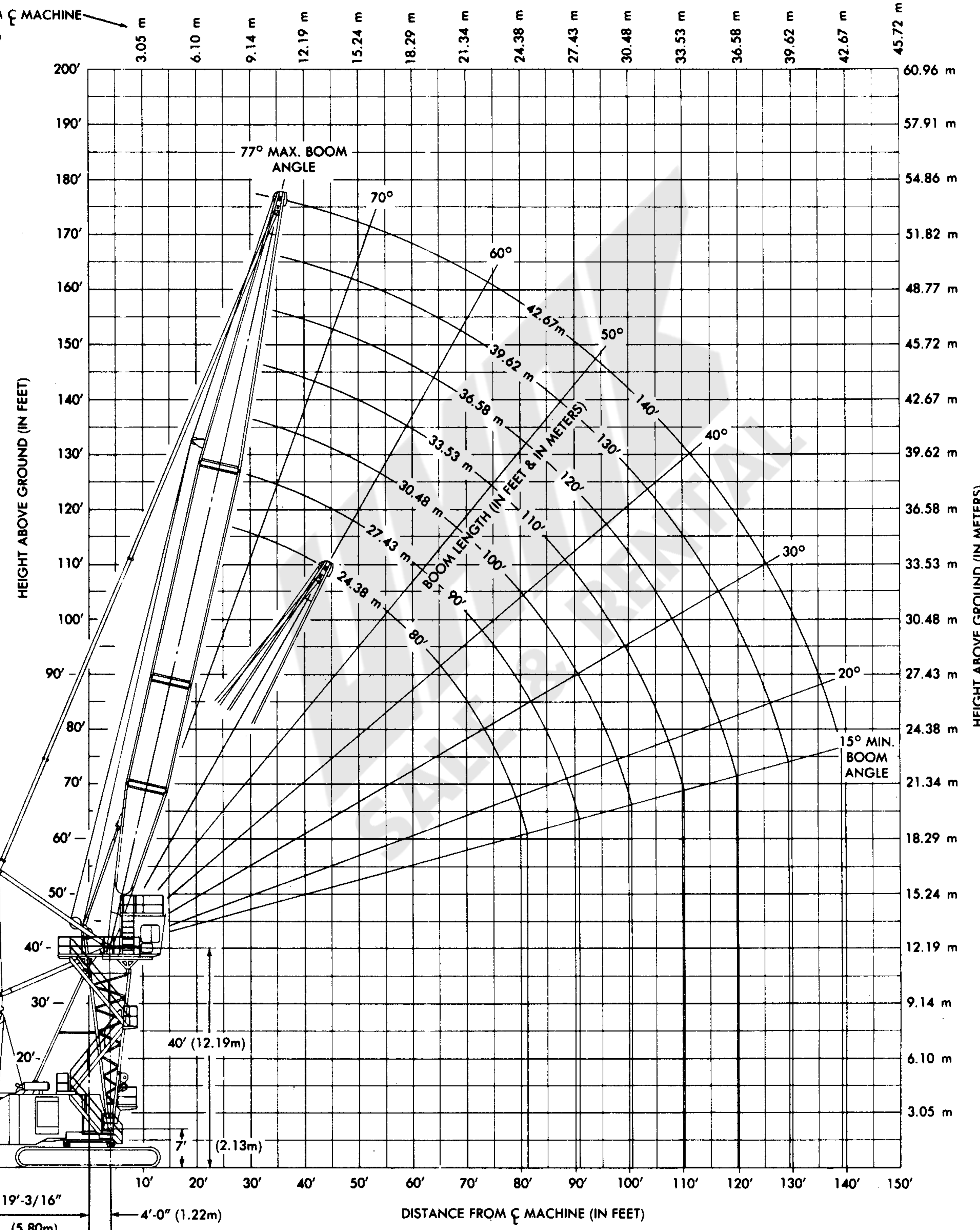
VIEW "A-A" 4100-W SERIES-1



VIEW "B-B" 4100-W SERIES-2

MODELS: 4100-W, 4100-W SERIES-1 & 4100-W SERIES-2

DISTANCE FROM ζ MACHINE
(IN METERS)



HEIGHT ABOVE GROUND (IN METERS)

NOTE 1: THIS DRAWING IS INTENDED ONLY AS A GUIDE TO ASSIST IN JOB PLANNING.

NOTE 2: FOR PLANNING A LIFT, THIS DRAWING IS TO BE USED IN CONJUNCTION WITH APPROPRIATE —
 A. CAPACITY CHARTS. B. RANGE CHART. C. LOAD LINE SPECIFICATIONS.
 D. RIGGING DRAWING. E. OUTLINE DIMENSIONS.

NOTE 3: FOR PLANNING LIFTS WHERE CLEARANCES ARE LIMITED AND ACCURACY IS DESIRED, A DETAILED LAYOUT SHOULD BE PREPARED.

NOTE 4: WHEN EQUIPPED WITH HOIST LINE LIMIT SWITCH, CONTACT FACTORY FOR LOAD BLOCK TO BOOM POINT MINIMUM DISTANCE.

MAXIMUM BOOM ANGLE: 77° FOR NO. 22A BOOM WITH CONTAINER HANDLING TOP

RANGE DIAGRAM — 4100W SERIES 2 — 33 FT. OF TOWER — NO. 22A BOOM — CONTAINER HANDLING