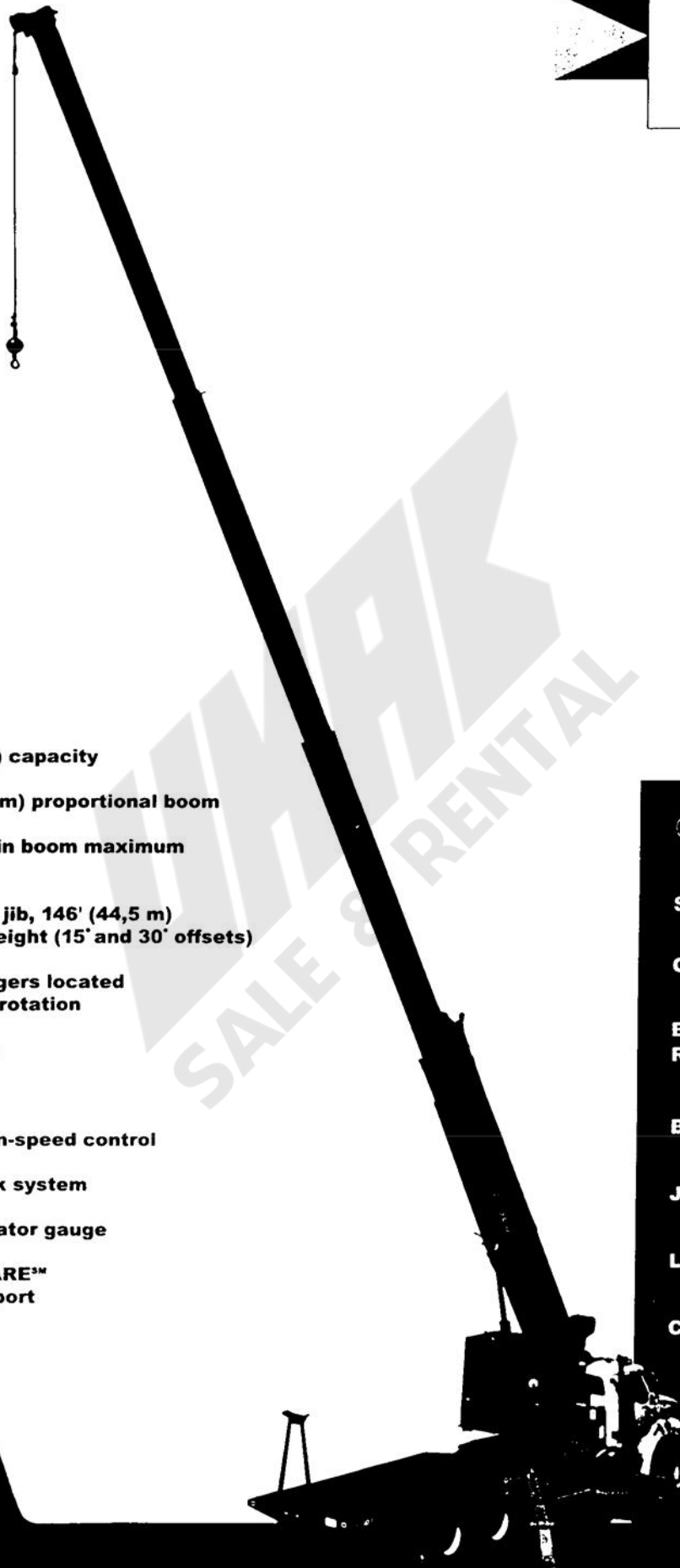


# model 2892SX

## product guide



## features

- 28.8 ton (26,1 mton) capacity
- 4-section, 92' (28,0 m) proportional boom
- 100' 8" (30,7 m) main boom maximum sheave height
- 2-stage 44' (13,4 m) jib, 146' (44,5 m) maximum sheave height (15' and 30' offsets)
- Patented "X" outriggers located at the centerline of rotation
- Continuous rotation
- Ride-around cab
- Dial-a-swing rotation-speed control
- Radio anti-two-block system
- Capacity-alert indicator gauge
- Manitowoc CraneCARE<sup>SM</sup> comprehensive support

## contents

Specifications	2
Outline Dimensions	4
Boom/Jib Range Diagram	6
Boom Load Chart	7
Jib Load Chart	8
Load Chart Data	9
CraneCARE <sup>SM</sup>	10

**Manitowoc**

Manitowoc Boom Trucks

# boom load chart

## Load Ratings

Boom ft (m)	A		B		C		D		E	
	26.5 (8,1)	43 (13,1)	56 (17,1)	68 (20,7)	80 (24,4)	92 (28,0)				
Operating Radius ft (m)	∠ lb (kg)	∠ lb (kg)	∠ lb (kg)	∠ lb (kg)	∠ lb (kg)	∠ lb (kg)	∠ lb (kg)	∠ lb (kg)	∠ lb (kg)	∠ lb (kg)
5 (1,5)	76° 57,600 (26 127)									
8 (2,4)	69° 38,200 (17 327)									
10 (3,1)	64° 32,000 (14 515)	75° 25,000 (11 340)								
12 (3,7)	59° 27,900 (12 655)	72° 22,750 (10 319)	77° 22,400 (10 160)							
14 (4,3)	54° 25,300 (11 476)	69° 20,400 (9 253)	75° 19,900 (9 026)	78° 18,500 (8 391)						
16 (4,9)	48° 22,100 (10 024)	66° 17,950 (8 142)	72° 17,500 (7 938)	76° 16,850 (7 643)						
20 (6,1)	34° 18,600 (8 437)	60° 15,200 (6 895)	68° 13,600 (6 169)	72° 12,950 (5 847)	76° 12,550 (5 693)					
24 (7,3)	10° 13,750 (6 237)	53° 13,100 (5 942)	63° 11,250 (5 013)	69° 10,680 (4 844)	73° 9,970 (4 522)	76° 10,500 (4 763)				
30 (9,1)		42° 10,500 (4 763)	56° 9,770 (4 432)	64° 8,870 (4 023)	68° 8,370 (3 797)	72° 8,170 (3 706)				
35 (10,7)		32° 9,170 (4 159)	50° 8,370 (3 797)	59° 7,470 (3 388)	64° 6,870 (3 116)	68° 6,670 (3 025)				
40 (12,2)		16° 7,170 (3 252)	43° 7,070 (3 207)	54° 6,370 (2 889)	60° 5,770 (2 617)	65° 5,470 (2 481)				
45 (13,7)			35° 5,970 (2 708)	48° 5,370 (2 436)	56° 4,970 (2 254)	61° 4,670 (2 118)				
50 (15,2)			24° 4,970 (2 254)	42° 4,770 (2 164)	51° 4,370 (1 982)	58° 3,870 (1 755)				
55 (16,8)				35° 4,070 (1 846)	46° 3,770 (1 710)	54° 3,270 (1 483)				
60 (18,3)				26° 3,470 (1 574)	41° 3,270 (1 483)	50° 2,970 (1 347)				
65 (19,8)				13° 2,670 (1 211)	35° 2,870 (1 302)	45° 2,570 (1 166)				
70 (21,3)					28° 2,470 (1 120)	40° 2,270 (1 030)				
75 (22,9)					18° 1,870 (848)	35° 1,870 (848)				
80 (24,4)					8° 1,370 (621)	29° 1,570 (712)				
85 (25,9)						21° 1,270 (576)				
90 (27,4)						8° 670 (304)				
Deduction*	600 (272)	370 (168)	235 (129)	235 (107)	200 (91)	175 (79)				

\*for stowed telescopic jib

Meets ANSI B30.5 Requirements - Do not operate crane or accessories within 10' (3.05m) of live power lines.  
NOTICE: This capacity chart is for reference only and must not be used for lifting purposes.

# jib load chart

## Jib Load Ratings

Jib ft (m)	26 0' offset (7,9)		26 15' offset (7,9)		26 30' offset (7,9)		44 0' offset (13,4)		44 15' offset (13,4)		44 30' offset (13,4)	
	∠	lb (kg)	∠	lb (kg)	∠	lb (kg)	∠	lb (kg)	∠	lb (kg)	∠	lb (kg)
Operating Radius ft (m)												
30 (9,1)	77°	5,850 (2 654)										
35 (10,7)	75°	5,100 (2 313)	78°	3,550 (1 610)			77°	3,350 (1 520)				
40 (12,2)	73°	4,500 (2 041)	75°	3,400 (1 542)	78°	2,500 (1 134)	75°	3,100 (1 406)				
45 (13,7)	70°	3,850 (1 746)	73°	3,200 (1 451)	75°	2,400 (1 089)	73°	2,830 (1 284)	77°	2,050 (930)		
50 (15,2)	67°	3,300 (1 497)	70°	2,960 (1 343)	73°	2,300 (1 043)	71°	2,560 (1 161)	75°	1,750 (794)	79°	1,320 (599)
55 (16,8)	65°	2,800 (1 270)	68°	2,750 (1 247)	70°	2,200 (998)	69°	2,350 (1 066)	73°	1,650 (748)	76°	1,250 (576)
60 (18,3)	62°	2,450 (1 111)	65°	2,500 (1 134)	67°	2,100 (953)	67°	2,150 (975)	71°	1,550 (703)	74°	1,150 (522)
65 (19,8)	59°	2,100 (953)	62°	2,200 (998)	64°	2,000 (907)	64°	1,950 (885)	68°	1,450 (658)	72°	1,100 (499)
70 (21,3)	56°	1,800 (816)	59°	1,850 (839)	61°	1,850 (839)	62°	1,800 (816)	66°	1,350 (612)	69°	1,050 (476)
75 (22,9)	53°	1,500 (680)	56°	1,550 (703)	58°	1,650 (748)	59°	1,600 (726)	64°	1,300 (590)	67°	1,000 (454)
80 (24,4)	49°	1,250 (567)	52°	1,300 (590)	55°	1,350 (612)	57°	1,450 (658)	61°	1,250 (567)	64°	1,000 (454)
85 (25,9)	46°	1,000 (454)	49°	1,050 (476)	51°	1,150 (522)	54°	1,250 (567)	58°	1,200 (544)	62°	950 (431)
90 (27,4)	42°	800 (363)	45°	850 (386)	47°	950 (431)	51°	1,100 (499)	56°	1,150 (522)	59°	900 (408)
95 (29,0)	39°	600 (272)	41°	700 (318)	43°	750 (340)	48°	900 (408)	53°	1,000 (454)	56°	880 (399)
100 (30,5)	35°	390 (177)	37°	500 (227)	38°	550 (250)	45°	750 (340)	49°	850 (386)	52°	825 (374)
105 (32,0)							42°	550 (250)	46°	675 (306)	49°	700 (318)
110 (33,5)							38°	400 (181)	43°	550 (249)	45°	550 (249)
115 (35,1)											41°	450 (204)

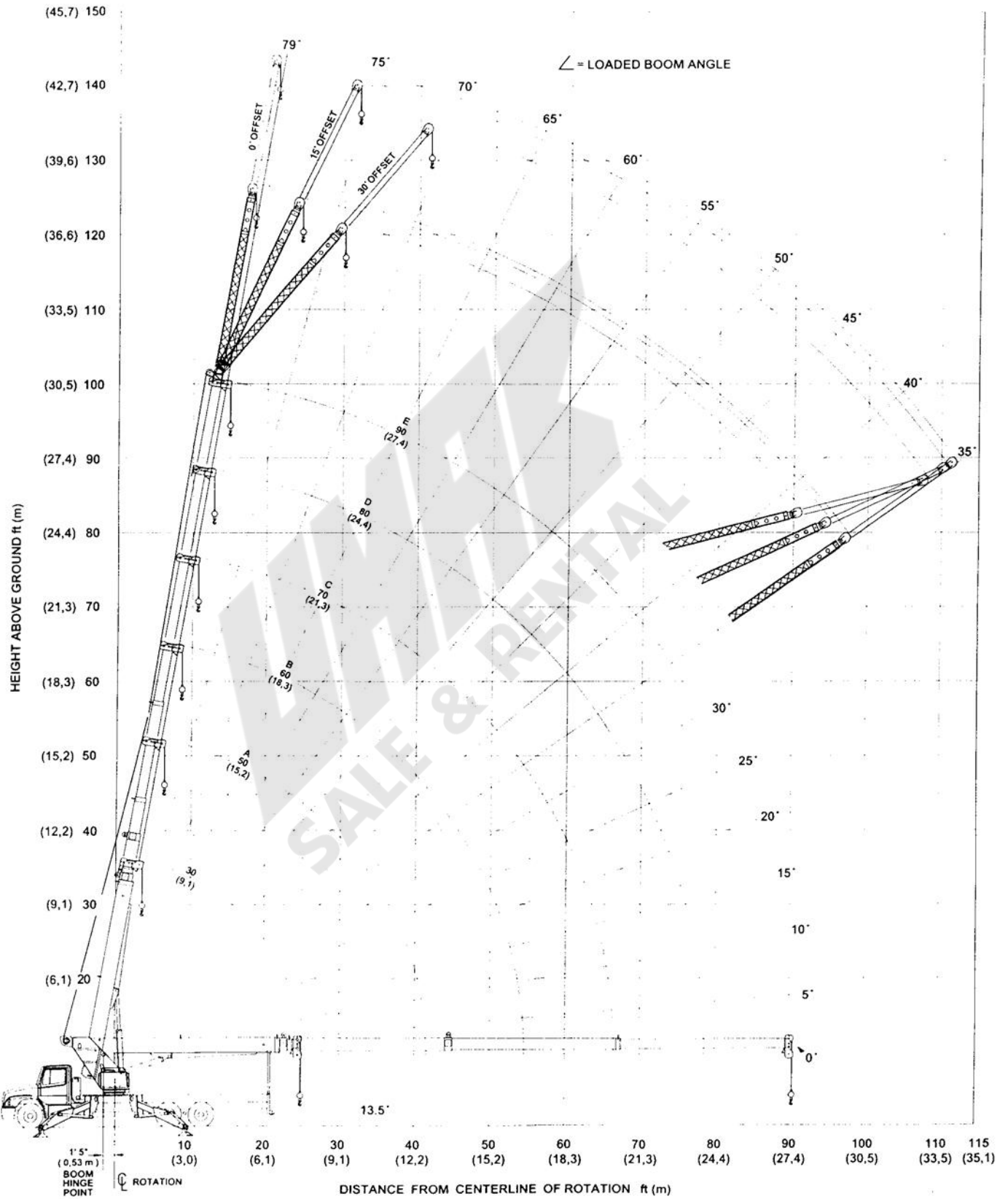
model 2892SX



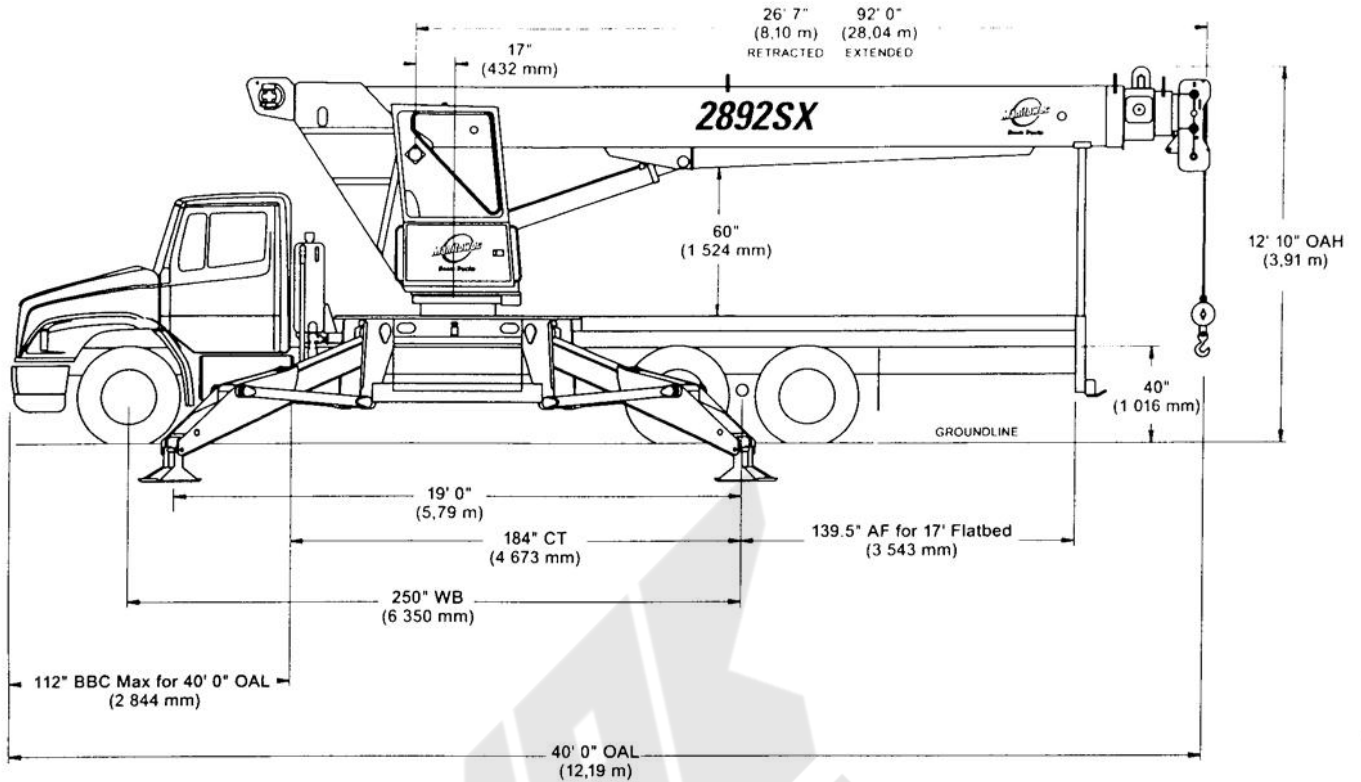
Meets ANSI B30.5 Requirements - Do not operate crane or accessories within 10' (3.05m) of live power lines.  
 NOTICE: This capacity chart is for reference only and must not be used for lifting purposes.

# boom/jib range diagram

**2892SX Range Diagram**



# outline dimensions



## Chassis Data

Minimum Truck Requirements	2892SX
Wheelbase (WB)	250" (6 350 mm)
Cab to Tandem (CT)	184" (4 674 mm)
After Frame (AF)	145" (3 683 mm)
Frame Section Modulus	110,000 psi (758 422 kPa)
Front Axle Gross Weight Rating	18,000 lb (8 165 kg)
Rear Axle Gross Weight Rating	40,000 lb (18 144 kg)
Minimum Truck Axle Weight - Front*	9,100 lb (4 128 kg)
Minimum Truck Axle Weight - Back*	8,500 lb (3 856 kg)
Nominal Frame Width	34 - 35" (864 - 889 mm)

## Weights

Total Crane	26,000 lb (11 793 kg)
27' - 44' (8,2 m - 13,4 m) Offsettable Jib	1,200 lb (544 kg)
Standard 17' (5,18 m) Wood Bed	1,700 lb (771 kg)
Heavy Duty 17' (5,18 m) Steel Bed	2,619 lb (1 188 kg)

OAH	Overall Height
CT	Cab to Tandem
CA	Cab to Axle
WB	Wheel Base
OAL	Overall Length
BBC	Bumper to Back of Cab
AF	Afterframe

\*Minimum chassis weight is required to meet 85% stability requirements.

Chassis data is general - not for engineering. Some dimensions depend on truck selection.

model 2892SX