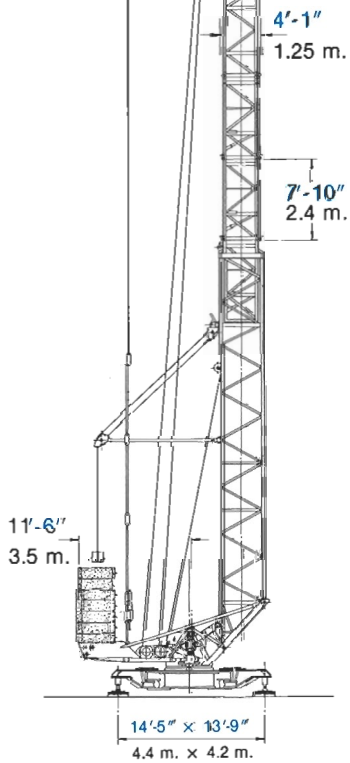
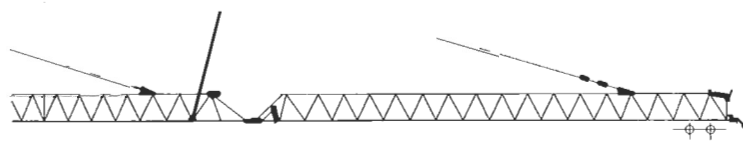
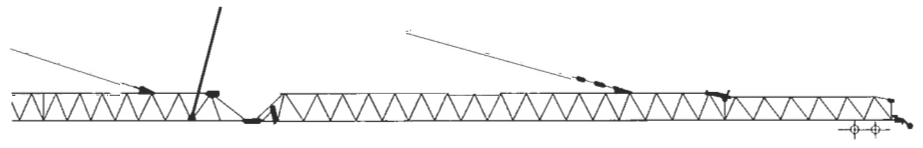
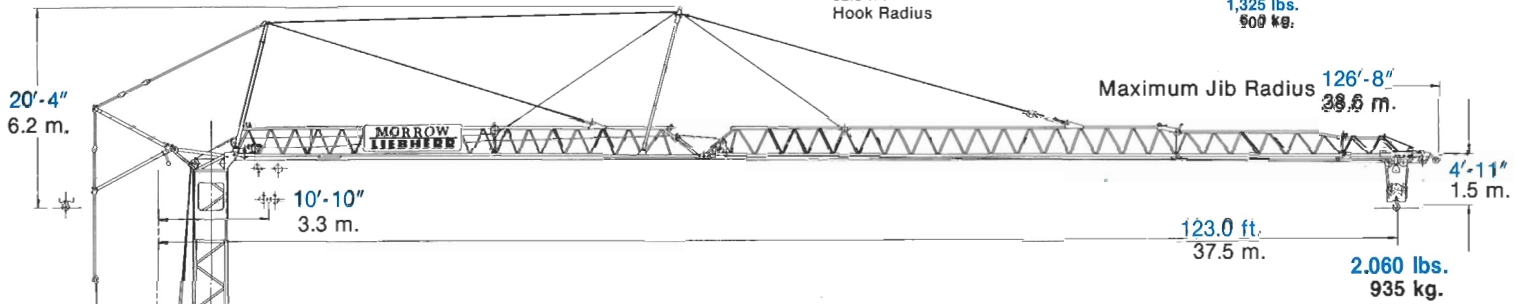
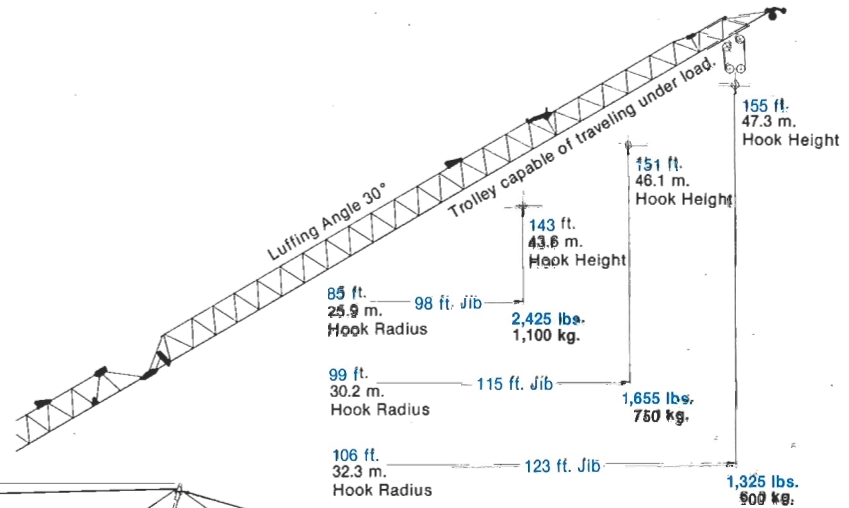


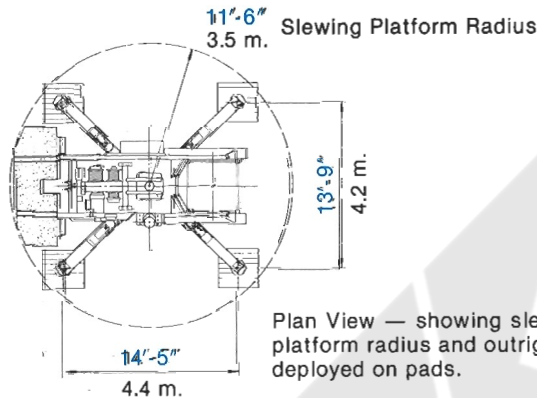
LIEBHERR FASTOWER 44K



44 K



Stationary
(on outriggers)

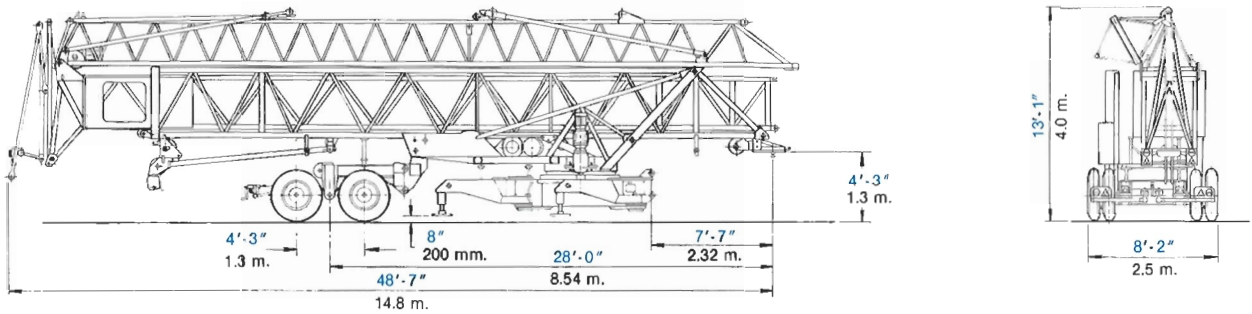


HOOK HEIGHT

MINIMUM Inner Tower Retracted	45 ft.	13.7 m.
STANDARD Inner Tower Extended	76 ft.	23.1 m.
ONE TOWER SECTION	83 ft.	25.4 m.
TWO TOWER SECTIONS	91 ft.	27.7 m.
THREE TOWER SECTIONS	98 ft.	30.0 m.

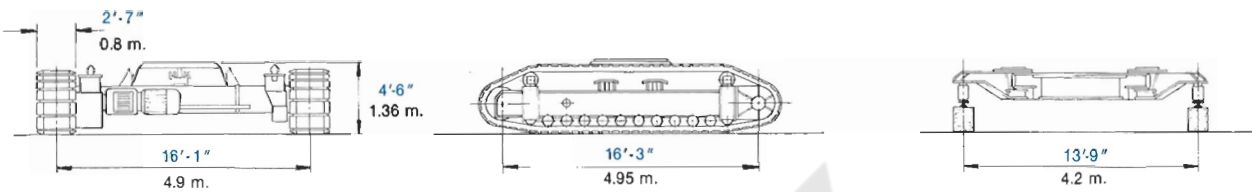
Mobile . . . Self-erecting . . . Efficient . . . Economical.

Built to excel on small to mid-sized construction and materials handling jobs. Loaded with cost-reducing features. That's the new FasTower crane by Liebherr. And they've been proving themselves for years on job sites around the world. Now they are available in North America from Morrow Crane Company on an immediate delivery basis.



Transporter
(Fifth wheel unit without counterweights)

OPTIONAL UNDERCARRIAGES



Crawler

Rail Traveling

LIEBHERR MODEL 44 K

RADIUS AND CAPACITIES

HOOK RADIUS ft. m.	MAXIMUM CAPACITIES ft. lbs. m. kg.		2-PART LINE														
			ft. m.	60 18.3	65 19.8	70 21.3	75 22.9	80 24.4	85 25.9	90 27.4	95 29.0	98 30.0	105 32.0	110 33.5	115 35.0	120 36.6	123 37.5
123 37.5	68.1 4,410	20.75 2,000	lbs. kg.	4,410 2,000	4,410 2,000	4,255 1,930	3,900 1,770	3,590 1,630	3,340 1,515	3,100 1,405	2,890 1,310	2,755 1,250	2,535 1,150	2,390 1,085	2,260 1,025	2,125 965	2,060 935
115 35.0	71.7 4,410	21.85 2,000	lbs. kg.	4,410 2,000	4,410 2,000	4,410 2,000	4,160 1,890	3,830 1,740	3,565 1,620	3,320 1,505	3,095 1,405	2,955 1,340	2,725 1,235	2,565 1,165	2,425 1,100		
98 30.0	78.1 4,410	23.80 2,000	lbs. kg.	4,410 2,000	4,410 2,000	4,410 2,000	4,410 2,000	4,275 1,940	3,985 1,805	3,710 1,680	3,460 1,570	3,305 1,500					

HOOK RADIUS ft. m.	MAXIMUM CAPACITIES ft. lbs. m. kg.		4-PART LINE														
			ft. m.	40 12.2	50 15.2	60 18.3	70 21.3	80 24.4	85 25.9	90 27.4	95 29.0	98 30.0	105 32.0	110 33.5	115 35.0	120 36.6	123 37.5
123 37.5	39.4 8,820	12.0 4,000	lbs. kg.	8,670 3,930	6,490 2,945	5,145 2,335	4,255 1,930	3,590 1,630	3,340 1,515	3,100 1,405	2,890 1,310	2,755 1,250	2,535 1,150	2,390 1,085	2,260 1,025	2,125 965	2,060 935
115 35.0	41.3 8,820	12.6 4,000	lbs. kg.	8,820 4,000	6,915 3,135	5,490 2,490	4,535 2,060	3,830 1,740	3,565 1,620	3,320 1,505	3,095 1,405	2,955 1,340	2,725 1,235	2,565 1,165	2,425 1,100		
98 30.0	44.6 8,820	13.6 4,000	lbs. kg.	8,820 4,000	7,675 3,480	6,100 2,765	5,060 2,295	4,275 1,940	3,985 1,805	3,710 1,680	3,460 1,570	3,305 1,500					

JIB LENGTH ft. m.	HOOK RADIUS ft. m.	MAXIMUM CAPACITIES ft. lbs. m. kg.		2-PART LINE • JIB LUFFED 30°														
				ft. m.	40 12.2	45 13.7	50 15.2	55 16.8	60 18.3	65 19.8	70 21.3	75 22.9	80 24.4	85 25.9	90 27.4	95 29.0	99 30.2	106 32.3
123 37.5	106 32.3	44.6 4,410	13.6 2,000	lbs. kg.	4,410 2,000	4,370 1,980	3,795 1,720	3,325 1,510	2,975 1,350	2,660 1,205	2,415 1,095	2,185 990	1,995 905	1,830 830	1,695 770	1,565 710	1,465 665	1,325 600
115 35.0	99 30.2	48.2 4,410	14.7 2,000	lbs. kg.	4,410 2,000	4,410 2,000	4,200 1,905	3,685 1,670	3,290 1,490	2,975 1,350	2,685 1,220	2,435 1,105	2,235 1,015	2,050 930	1,900 860	1,755 795	1,655 750	
98 30.0	85 25.9	54.8 4,410	16.7 2,000	lbs. kg.	4,410 2,000	4,410 2,000	4,410 2,000	4,375 1,985	3,910 1,775	3,525 1,600	3,210 1,455	2,925 1,325	2,670 1,210	2,425 1,100				

WEIGHT SPECIFICATIONS*

Transporter weight (5th wheel unit) (without counterweight)	42,550 lbs./ 19,300 kg.	Dead weight (without counterweight)	35,300 lbs./ 16,000 kg.
Maximum corner pressure (in operation)	52,100 lbs./ 23,650 kg.	Counterweight (7 slabs)	37,500 lbs./ 17,000 kg.
		Tower sections (each)	880 lbs./ 400 kg.

*Weights are approximate. Specific information available from Morrow Crane Co., Inc.

Specifications

HOIST SPEED AND CAPACITY

HOIST UNIT	2-PART LINE					
	MOTOR SPEED	SPEED feet/minute		CAPACITY pounds	SPEED meters/minute	CAPACITY kilograms
20 HP 15 kW AC Hoist Unit Pole Changing (3-Speed)	1	20	@	4,410	6.0	@ 2,000
	2	82	@	4,410	25.0	@ 2,000
	3	164	@	3,000	50.0	@ 1,350
	4-PART LINE					
	1	10	@	8,820	3.0	@ 4,000
	2	41	@	8,820	12.5	@ 4,000
	3	82	@	6,000	25.0	@ 2,700

TROLLEY

SWING

TRAVELING

DRIVE UNIT	SPEED
4.0 hp 3.0 kW	59/125 ft./min. 18.0/37.0 m./min.

DRIVE UNIT	SPEED
4.0 hp 3.0 kW Fluid Coupling	0.8 rpm

DRIVE UNIT	SPEED
2 × 2.0 hp 2 × 1.5 kW	82 ft./min. 25.0 m./min.

POWER REQUIREMENTS

440 volts, 3-phase, 60-cycle, 75 amp. service.
DO NOT exceed 460 volts.

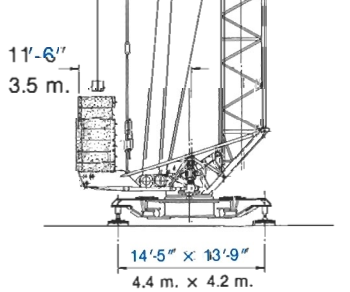
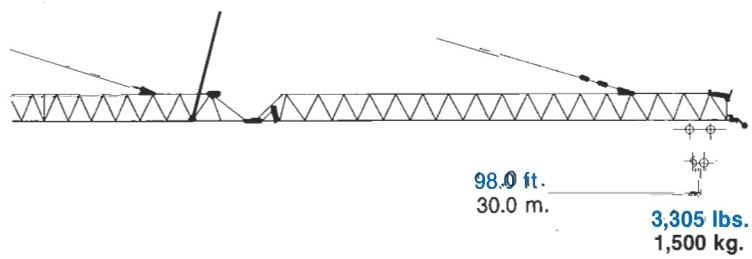
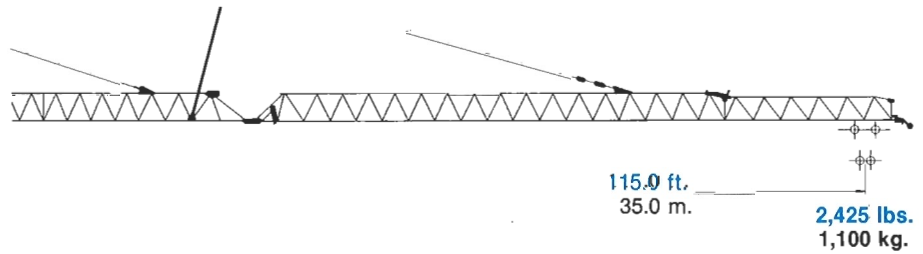
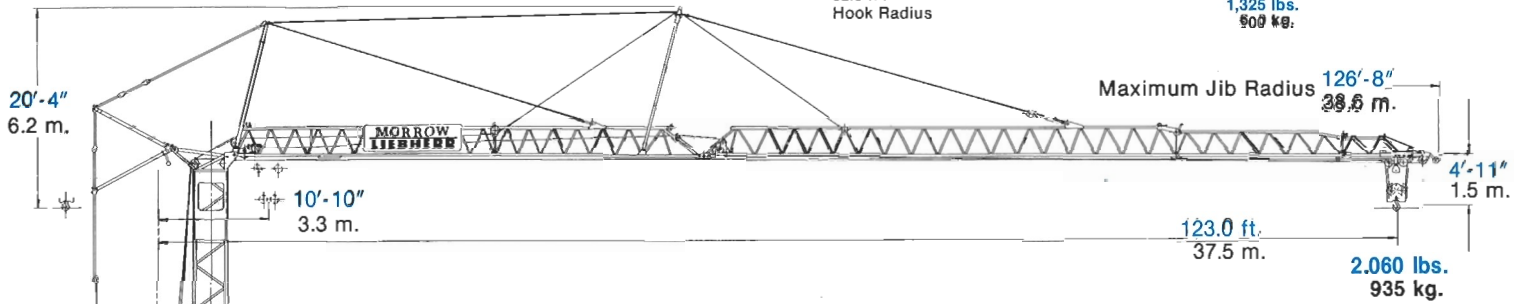
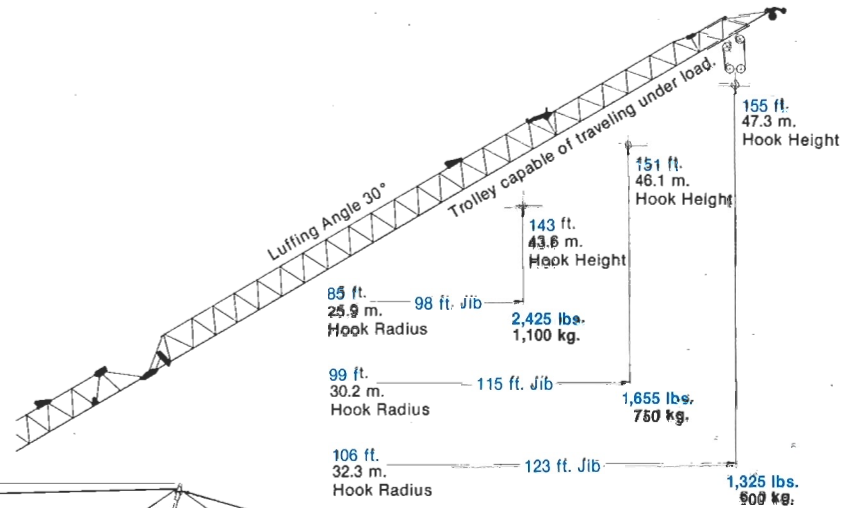
LIEBHERR FASTOWER 44K



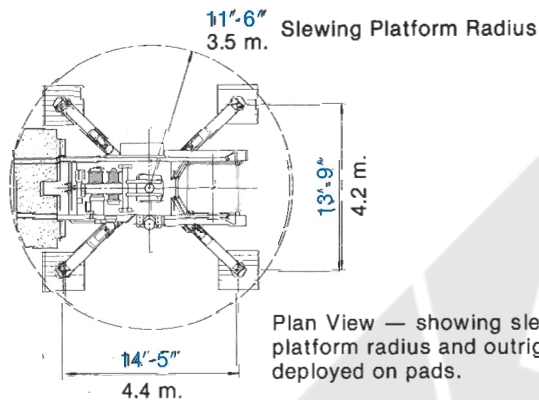
MORROW



44 K



Stationary
(on outriggers)

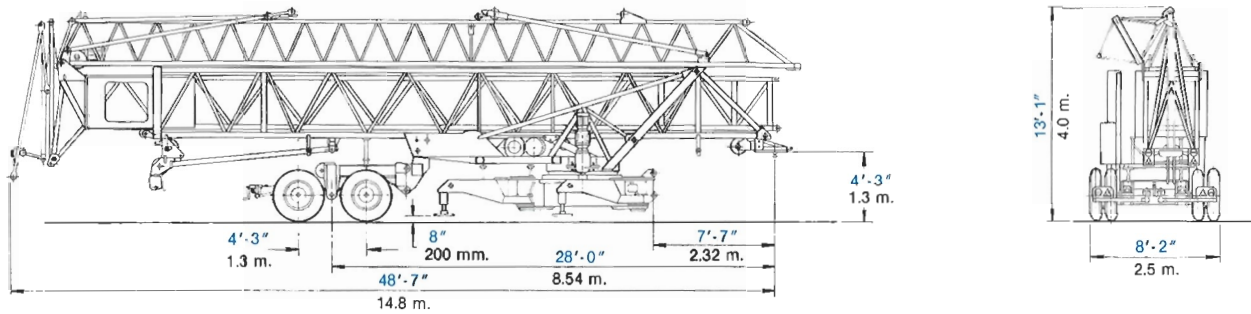


HOOK HEIGHT

MINIMUM Inner Tower Retracted	45 ft.	13.7 m.
STANDARD Inner Tower Extended	76 ft.	23.1 m.
ONE TOWER SECTION	83 ft.	25.4 m.
TWO TOWER SECTIONS	91 ft.	27.7 m.
THREE TOWER SECTIONS	98 ft.	30.0 m.

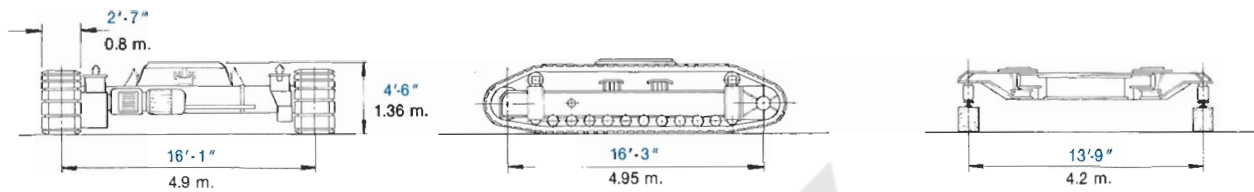
Mobile . . . Self-erecting . . . Efficient . . . Economical.

Built to excel on small to mid-sized construction and materials handling jobs. Loaded with cost-reducing features. That's the new FasTower crane by Liebherr. And they've been proving themselves for years on job sites around the world. Now they are available in North America from Morrow Crane Company on an immediate delivery basis.



Transporter
(Fifth wheel unit without counterweights)

OPTIONAL UNDERCARRIAGES



Crawler

Rail Traveling

LIEBHERR MODEL 44 K

RADIUS AND CAPACITIES

HOOK RADIUS ft. m.	MAXIMUM CAPACITIES ft. lbs. m. kg.		2-PART LINE														
			ft. m.	60 18.3	65 19.8	70 21.3	75 22.9	80 24.4	85 25.9	90 27.4	95 29.0	98 30.0	105 32.0	110 33.5	115 35.0	120 36.6	123 37.5
123 37.5	68.1 4,410	20.75 2,000	lbs. kg.	4,410 2,000	4,410 2,000	4,255 1,930	3,900 1,770	3,590 1,630	3,340 1,515	3,100 1,405	2,890 1,310	2,755 1,250	2,535 1,150	2,390 1,085	2,260 1,025	2,125 965	2,060 935
115 35.0	71.7 4,410	21.85 2,000	lbs. kg.	4,410 2,000	4,410 2,000	4,410 2,000	4,160 1,890	3,830 1,740	3,565 1,620	3,320 1,505	3,095 1,405	2,955 1,340	2,725 1,235	2,565 1,165	2,425 1,100		
98 30.0	78.1 4,410	23.80 2,000	lbs. kg.	4,410 2,000	4,410 2,000	4,410 2,000	4,410 2,000	4,275 1,940	3,985 1,805	3,710 1,680	3,460 1,570	3,305 1,500					

HOOK RADIUS ft. m.	MAXIMUM CAPACITIES ft. lbs. m. kg.		4-PART LINE														
			ft. m.	40 12.2	50 15.2	60 18.3	70 21.3	80 24.4	85 25.9	90 27.4	95 29.0	98 30.0	105 32.0	110 33.5	115 35.0	120 36.6	123 37.5
123 37.5	39.4 8,820	12.0 4,000	lbs. kg.	8,670 3,930	6,490 2,945	5,145 2,335	4,255 1,930	3,590 1,630	3,340 1,515	3,100 1,405	2,890 1,310	2,755 1,250	2,535 1,150	2,390 1,085	2,260 1,025	2,125 965	2,060 935
115 35.0	41.3 8,820	12.6 4,000	lbs. kg.	8,820 4,000	6,915 3,135	5,490 2,490	4,535 2,060	3,830 1,740	3,565 1,620	3,320 1,505	3,095 1,405	2,955 1,340	2,725 1,235	2,565 1,165	2,425 1,100		
98 30.0	44.6 8,820	13.6 4,000	lbs. kg.	8,820 4,000	7,675 3,480	6,100 2,765	5,060 2,295	4,275 1,940	3,985 1,805	3,710 1,680	3,460 1,570	3,305 1,500					

JIB LENGTH ft. m.	HOOK RADIUS ft. m.	MAXIMUM CAPACITIES ft. lbs. m. kg.		2-PART LINE • JIB LUFFED 30°														
				ft. m.	40 12.2	45 13.7	50 15.2	55 16.8	60 18.3	65 19.8	70 21.3	75 22.9	80 24.4	85 25.9	90 27.4	95 29.0	99 30.2	106 32.3
123 37.5	106 32.3	44.6 4,410	13.6 2,000	lbs. kg.	4,410 2,000	4,370 1,980	3,795 1,720	3,325 1,510	2,975 1,350	2,660 1,205	2,415 1,095	2,185 990	1,995 905	1,830 830	1,695 770	1,565 710	1,465 665	1,325 600
115 35.0	99 30.2	48.2 4,410	14.7 2,000	lbs. kg.	4,410 2,000	4,410 2,000	4,200 1,905	3,685 1,670	3,290 1,490	2,975 1,350	2,685 1,220	2,435 1,105	2,235 1,015	2,050 930	1,900 860	1,755 795	1,655 750	
98 30.0	85 25.9	54.8 4,410	16.7 2,000	lbs. kg.	4,410 2,000	4,410 2,000	4,410 2,000	4,375 1,985	3,910 1,775	3,525 1,600	3,210 1,455	2,925 1,325	2,670 1,210	2,425 1,100				

WEIGHT SPECIFICATIONS*

Transporter weight (5th wheel unit) (without counterweight)	42,550 lbs./ 19,300 kg.	Dead weight (without counterweight)	35,300 lbs./ 16,000 kg.
		Counterweight (7 slabs)	37,500 lbs./ 17,000 kg.
Maximum corner pressure (in operation)	52,100 lbs./ 23,650 kg.	Tower sections (each)	880 lbs./ 400 kg.

*Weights are approximate. Specific information available from Morrow Crane Co., Inc.

Due to product improvements, specifications are subject to modification without notice.

MORROW CRANE CO., INC.

Specifications

HOIST SPEED AND CAPACITY

HOIST UNIT	2-PART LINE					
	MOTOR SPEED	SPEED feet/minute		CAPACITY pounds	SPEED meters/minute	CAPACITY kilograms
20 HP 15 kW AC Hoist Unit Pole Changing (3-Speed)	1	20	@	4,410	6.0	@ 2,000
	2	82	@	4,410	25.0	@ 2,000
	3	164	@	3,000	50.0	@ 1,350
	4-PART LINE					
	1	10	@	8,820	3.0	@ 4,000
	2	41	@	8,820	12.5	@ 4,000
3	82	@	6,000	25.0	@ 2,700	

TROLLEY

DRIVE UNIT	SPEED
4.0 hp 3.0 kW	59/125 ft./min. 18.0/37.0 m./min.

SWING

DRIVE UNIT	SPEED
4.0 hp 3.0 kW Fluid Coupling	0.8 rpm

TRAVELING

DRIVE UNIT	SPEED
2 × 2.0 hp 2 × 1.5 kW	82 ft./min. 25.0 m./min.

POWER REQUIREMENTS

440 volts, 3-phase, 60-cycle, 75 amp. service.
DO NOT exceed 460 volts.

MORROW LIEBHERR

FASTOWER CRANES Self-Erecting

MODELS		24 K	33 K	44 K	66 K	77 K	97 K	145 K
Maximum	ft.	75	98	123	131	139	148	164
Hook Radius	m.	23.0	30.0	37.5	40.0	42.5	45.0	50.0
Capacity	lbs.	1,870	2,210	2,060	3,040	2,670	3,970	4,850
at Maximum	kg.	850	1,000	935	1,380	1,210	1,800	2,200
Hook Radius								
Maximum	lbs.	3,860	6,620	8,820	11,030	13,230	26,460	26,460
Capacity	kg.	1,750	3,000	4,000	5,000	6,000	12,000	12,000

For more information on the 44 K FasTower and other models, contact Morrow Crane Co., Inc.

HC TOWER CRANES

MODELS		70 HC	88 HC	132 HC	200 HC	280 HC	281 HC	390 HC	550 HC
Maximum	ft.	148	148	164	180	196	230	246	265
Hook Radius	m.	45.0	45.0	50.0	55.0	60.0	70.0	75.0	80.8
Capacity	lbs.	2,650	4,190	4,850	6,280	8,160	5,950	6,620	7,720
at Maximum	kg.	1,200	1,900	2,200	2,850	3,700	2,700	3,000	3,500
Hook Radius									
Maximum	lbs.	12,350	13,230	17,640	22,050	26,460	26,460	35,270	44,100
Capacity	kg.	5,600	6,000	8,000	10,000	12,000	12,000	16,000	20,000

MORROW CRANE CO., INC.

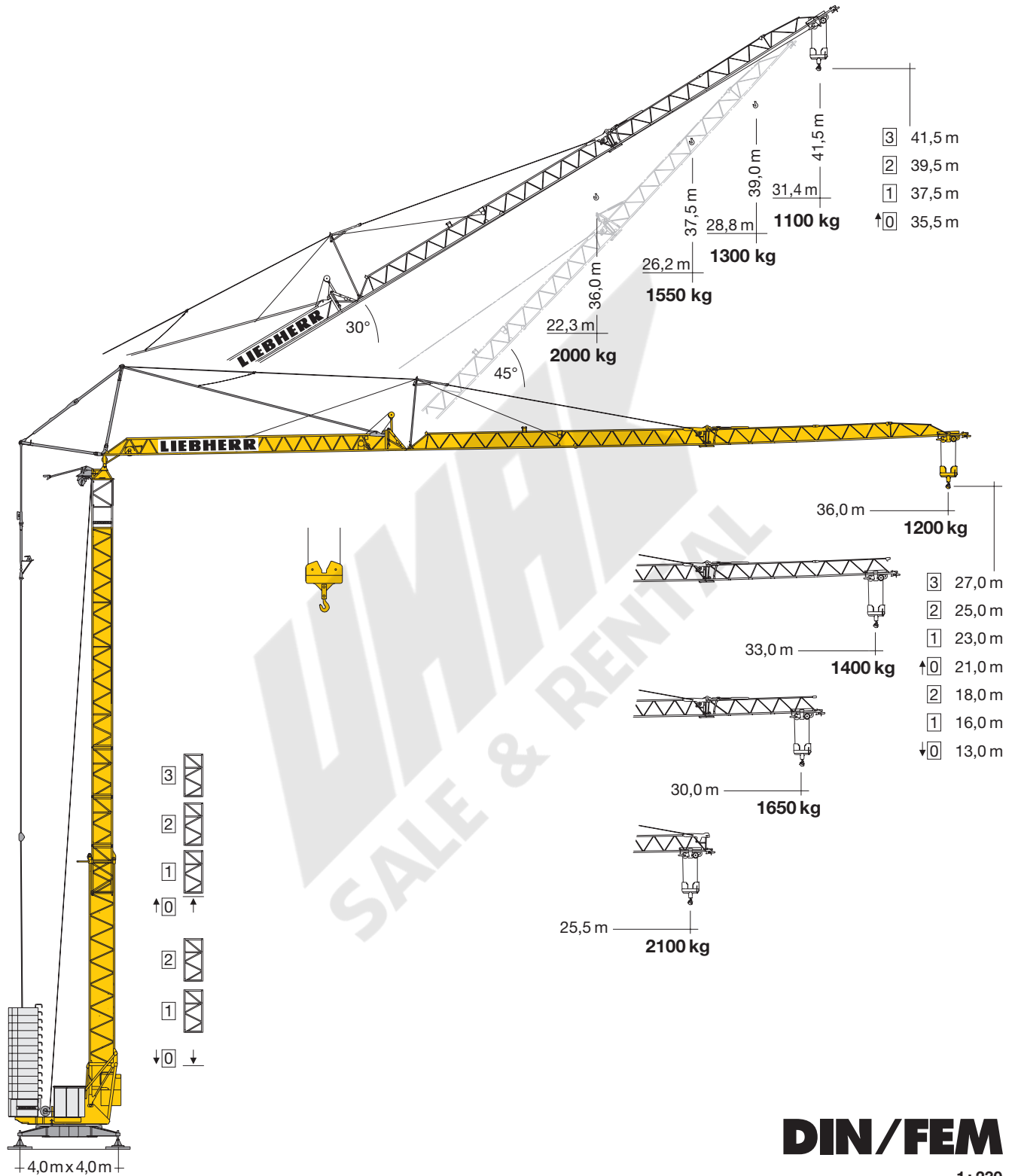
The American Home of
LIEBHERR

HEADQUARTERS: P.O. BOX 3306 • SALEM, OR 97302 U.S.A. • (503) 585-5721 TELEX 360-864

UNITED STATES: HEADQUARTERS — Salem, Oregon • Atlanta, GA • Chicago, IL • Cincinnati, OH • Dallas, TX • Denver, CO • Detroit, MI • Honolulu, HI • Houston, TX
Kansas City, MO • Los Angeles, CA • Minneapolis, MN • New Orleans, LA • New York, NY • Phoenix, AZ • San Francisco, CA • Tampa, FL • Washington, DC
AUSTRALIA (Sydney) • CANADA (Edmonton, Toronto) • NEW ZEALAND (Wellington)

Turmdrehkran 42 K.1

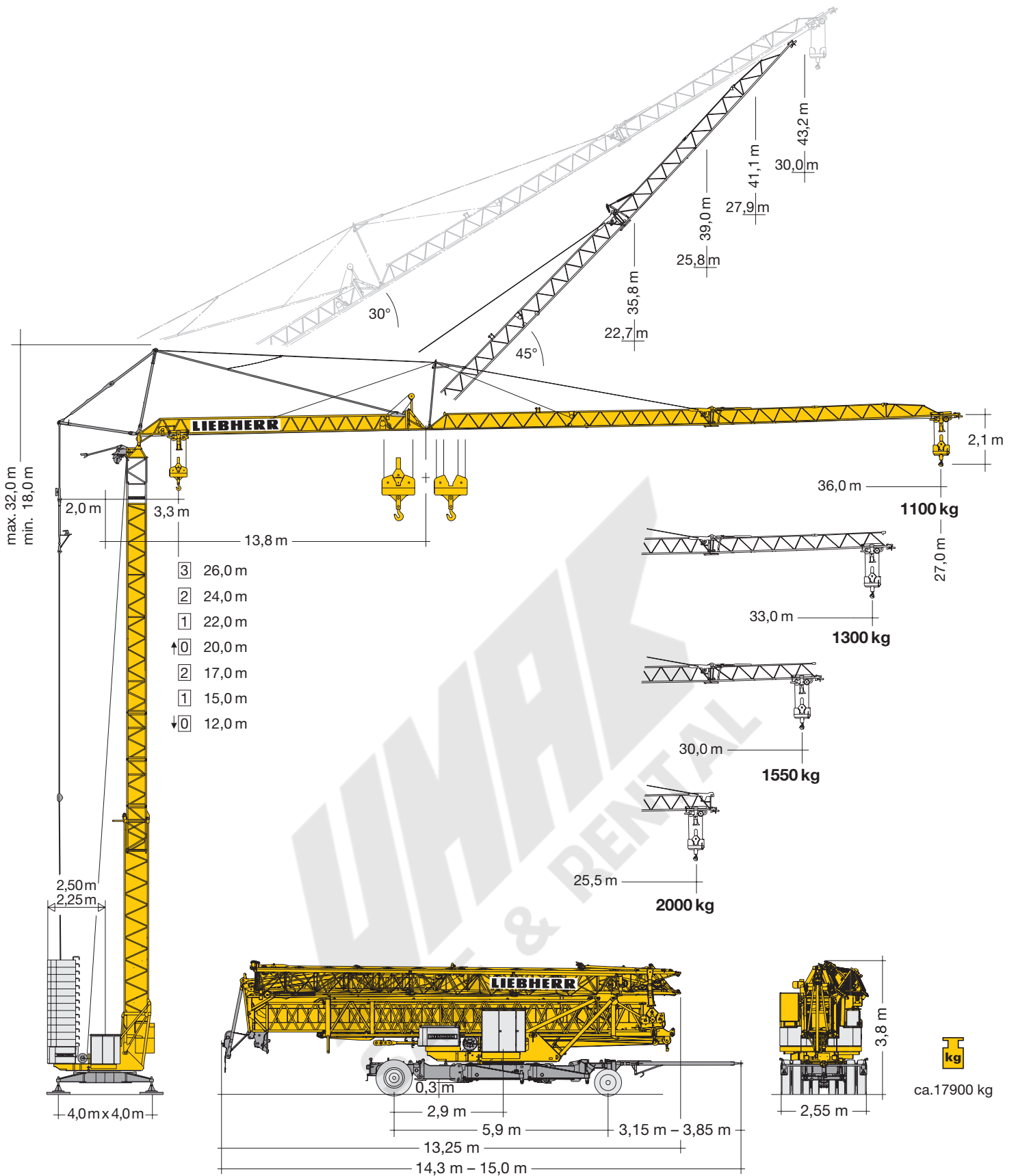
Tower Crane / Grue à tour / Gru a torre
Grúa torre / Guindaste de torre



DIN/FEM

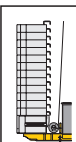
1: 230

LIEBHERR



Gewicht

Weight / Poids / Peso / Peso / Pesos



r = 2,50 m (32 TT)	1 x 3320 kg	12 x 1750 kg	1 x 725 kg	25045 kg
r = 2,50 m (42 K)	1 x 3320 kg	14 x 1570 kg		25300 kg
r = 2,25 m (45 K)	1 x 2550 kg	15 x 1770 kg		29100 kg



max. 11800 kg
(HH 26 m: + 900 kg)

Ausladung und Tragfähigkeit

Radius and capacity / Portée et charge / Sbraccio e portata / Alcances y cargas / Alcance e capacidade de carga

		m/kg																			
m/kg		16,0	18,0	20,0	21,0	22,0	23,0	24,0	25,0	25,5	26,0	27,0	28,0	29,0	30,0	31,0	32,0	33,0	34,0	35,0	36,0
36,0	3,3 - 19,40 2500	2500	2500	2410	2280	2160	2050	1950	1860	1810	1770	1690	1620	1560	1490	1440	1380	1330	1290	1240	1200
33,0	3,3 - 20,18 2500	2500	2500	2500	2390	2260	2150	2040	1950	1900	1860	1780	1700	1630	1570	1510	1450	1400			
30,0	3,3 - 21,04 2500	2500	2500	2500	2500	2370	2250	2140	2040	2000	1950	1870	1790	1720	1650						
25,5	3,3 - 21,95 2500	2500	2500	2500	2500	2490	2370	2250	2150	2100											

		m/kg																			
m/kg		13,0	14,0	16,0	18,0	20,0	23,0	24,0	25,0	25,5	26,0	27,0	28,0	29,0	30,0	31,0	32,0	33,0	34,0	35,0	36,0
36,0	3,3 - 22,56 2000	2000	2000	2000	2000	2000	1950	1850	1760	1720	1680	1600	1530	1460	1400	1340	1290	1230	1190	1140	1100
33,0	3,3 - 23,46 2000	2000	2000	2000	2000	2000	2000	1950	1850	1800	1760	1680	1600	1530	1470	1410	1350	1300			
30,0	3,3 - 24,45 2000	2000	2000	2000	2000	2000	2000	2000	1950	1900	1850	1770	1690	1620	1550						
25,5	3,3 - 25,50 2000	2000	2000	2000	2000	2000	2000	2000	2000	2000											

		m/kg																			
m/kg		13,0	14,0	16,0	18,0	20,0	23,0	24,0	25,0	25,5	26,0	27,0	28,0	29,0	30,0	31,0	32,0	33,0	34,0	35,0	36,0
36,0	3,3 - 12,77 4000	3910	3580	3040	2630	2320	1950	1850	1760	1710	1670	1600	1520	1460	1400	1340	1280	1230	1190	1140	1100
33,0	3,3 - 13,25 4000	4000	3740	3180	2760	2430	2050	1940	1850	1800	1760	1680	1600	1530	1470	1410	1350	1300			
30,0	3,3 - 13,79 4000	4000	3930	3340	2900	2550	2150	2050	1950	1900	1850	1770	1690	1620	1550						
25,5	3,3 - 14,36 4000	4000	4000	3510	3050	2690	2270	2150	2050	2000											

		Auslegersteilstellung 30° / Elevated jib 30° / Flèche inclinée 30° Braccio inclinato a 30° / Pluma inclinada 30° / Lança inclinada 30°																		
m/kg		16,0	18,0	20,0	22,3	23,0	24,0	25,0	26,0	26,2	27,0	28,0	28,8	29,0	30,0	31,0	31,4			
36,0	3,0 - 15,91 2500	2480	2160	1900	1670	1610	1530	1450	1390	1370	1320	1270	1220	1210	1160	1120	1100			
33,0	3,0 - 16,67 2500	2500	2280	2010	1770	1700	1620	1540	1470	1460	1400	1340	1300							
30,0	3,0 - 17,51 2500	2500	2420	2140	1880	1810	1720	1640	1560	1550										
25,5	3,0 - 18,45 2500	2500	2500	2270	2000															

Antriebe

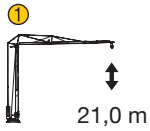
Driving units / Mécanismes d'entraînement / Azionamenti / Mecanismos / Mecanismos

	U/min. 0 ↔ 0,9 sl./min tr./min	3,0 kW EDC
	20,0 / 40,0 m/min	1,3 / 2,3 kW
	0 - 45°, ca. 60 sec.	1,5 kW

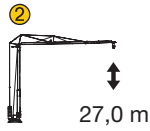
BGL	C.0.08.0045	C.0.08.0045
------------	-------------	-------------

	400 V	Hz	kVA
50,0 m	4 x 6 mm ² KL	50	25,0 KL
77,0 m	4 x 6 mm ² FU		17,0 FU

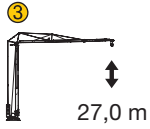
		Stufe / Step / Cran Marcia / Velocidad Velocidade		kg	m/min
11,0 kW KL		1		2500	5,0
		2		2500	20,0
		3		1300	40,0
11,0 kW FU		1		2000 4000	5,0 2,5
		2		2000 4000	20,0 10,0
		3		1300 2600	40,0 20,0
		4		1000	50,0
		1		2000 4000	4,0 2,0
		2		2000 4000	20,0 10,0
3		1300 2600	38,0 19,0		
4		1000 2000	50,0 25,0		



ohne Turmstück
 without tower section
 sans éléments de mât
 senza elementi di torre
 sin tramo de torre
 sem tramo de torre

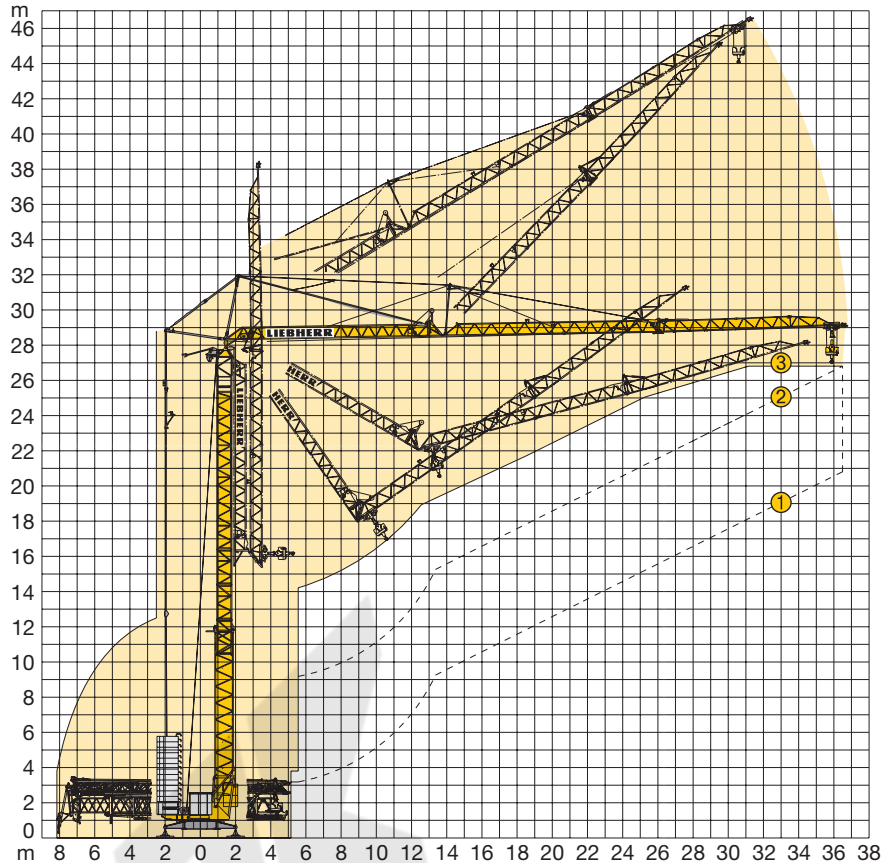


3 Turmstücke
 3 tower sections
 3 éléments de mât
 3 elementi di torre
 3 tramos de torre
 3 tramos de torre



3 Turmstücke
 3 tower sections
 3 éléments de mât
 3 elementi di torre
 3 tramos de torre
 3 tramos de torre

Ausleger-Luftmontage
 Aerial mounting of the jib
 Montage de la flèche en l'air
 Montaggio aereo del braccio
 Montaje aéreo de la pluma
 Montagem aerea da lança



Kolli-Liste

Packing List / Liste de colisage / Lista dei colli / Lista de contenido / Lista de embalagem

Pos. Item Rep. Voce Pos. Ref.	Anz. Qty. Qte. Qta. Cant. Cant.				L (m)	B (m)	H (m)	kg	
1	3	Turmstück / Tower section Élément de mât / Elemento di torre Tramo de torre / Peça de torre			2,10	0,85	0,88	350	
2	1	Ausleger-Verlängerung 25,5 m – 30,0 m Jib extension / Rallonge de la flèche Elemento estensione braccio Prolongación de pluma / Extensão da lança			4,70	0,80	0,70	235	
3	1	Ausleger-Verlängerung 30,0 m – 33,0 m Jib extension / Rallonge de la flèche Elemento estensione braccio Prolongación de pluma / Extensão da lança			3,10	0,80	0,70	90	
4	1	Ausleger-Verlängerung 33,0 m – 36,0 m Jib extension / Rallonge de la flèche Elemento estensione braccio Prolongación de pluma / Extensão da lança			3,10	0,80	0,70	70	
5	1	Transportachse vorne Road transport axle front / Essieux de transport avant / Asse di trasporto anteriore / Eje delantero para transporte / Eixo de transporte dianteiro	Tra 100 KY 2 Tra 100 KY 6 Tra 100 KY 6 A			3,65 – 4,15	1,45	1,10	750 920 920
6	1	Transportachse hinten Road transport axle behind / Essieux de transport arrière / Asse di trasporto posteriore / Eje trasero para transporte / Eixo de transporte traseiro	Tra 120 GY 1 A Tra 120 GY 1			1,90	2,50	1,05	1100
7	1	Kiste mit Seilen und Kleinteilen / Case with ropes and small parts Caisse avec câbles et pièces détachées / Cassa con funi e accessori Caja con cables y piezas sueltas / Caixa contendo cabos e acessórios			1,00	0,80	1,00	450	

Konstruktionsänderungen vorbehalten!
 Subject to alterations! / Sous réserves de modifications!
 Si fa riserva di modifiche! / ¡Sujeto a modificaciones!
 Salvo modificação da construçao!

Sämtliche Angaben erfolgen ohne Gewähr. / This information is supplied without liability.
 Ces renseignements sont sans garantie. / Le indicazioni contenute si intendono salvo errori ed omissioni.
 Declinamos toda responsabilidad derivada de la información proporcionada. / Declinamos qualquer
 responsabilidade quanto à informação fornecida.