



GROVE[®]
CRANE

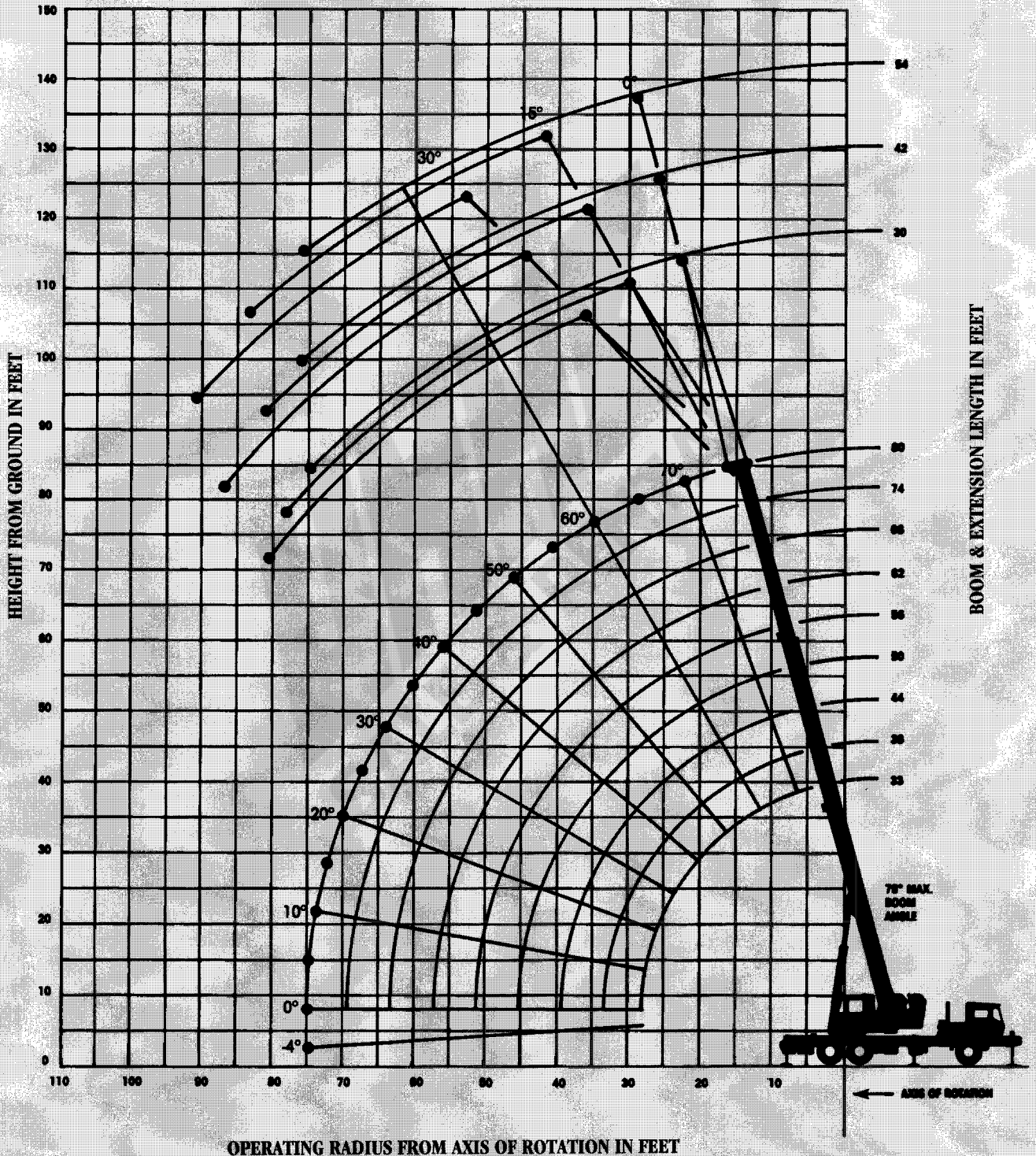
A GROVE WORLDWIDE COMPANY

TMS250C

Carrier mounted hydraulic crane /85% Domestic

33 ft. - 84 ft. full power boom

WORKING RANGE DIAGRAM
(BOOM DEFLECTION NOT SHOWN)



OPERATING RADIUS FROM AXIS OF ROTATION IN FEET

DOMESTIC 85% LIFTING CAPACITIES (POUNDS) ON OUTRIGGERS FULLY EXTENDED

MAIN BOOM - 360°

Radius in Feet	#0001 or #01								
	Main Boom Length in Feet								
	33	38	44	50	56	62	68	74	80
10	70,000 (64.5)	52,000 (68)	51,000 (71)						
12	52,500 (60.5)	52,000 (64.5)	51,000 (68.5)	44,900 (71.5)	40,500 (73.5)				
15	42,000 (54)	42,000 (59.5)	42,000 (64)	40,200 (67.5)	36,000 (70.5)	31,000 (72.5)	26,000 (74.5)		
20	30,000 (42.5)	30,000 (50)	30,000 (56.5)	30,000 (61)	30,000 (64.5)	24,500 (67.5)	23,000 (70)	21,500 (72)	20,000 (73.5)
25	20,480 (26.5)	20,480 (39)	20,480 (48)	20,480 (54.5)	20,480 (59)	20,480 (62.5)	19,750 (65.5)	18,200 (67.5)	17,700 (69.5)
30		14,070 (24.5)	14,070 (38.5)	14,070 (47)	14,070 (52.5)	14,070 (57)	14,070 (60.5)	14,070 (63.5)	14,070 (65.5)
35			10,240 (26)	10,240 (38)	10,240 (46)	10,240 (51)	10,240 (55.5)	10,240 (59)	10,240 (61.5)
40				8,100 (27.5)	8,100 (38)	8,100 (45)	8,100 (50)	8,100 (54)	8,100 (57.5)
45					6,420 (28.5)	6,420 (37.5)	6,420 (44)	6,420 (49)	6,420 (53)
50					4,970 (13)	4,970 (29)	4,970 (37.5)	4,970 (43.5)	4,970 (48)
55						3,810 (16.5)	3,810 (29.5)	3,810 (37.5)	3,810 (43)
60							2,980 (19)	2,980 (30.5)	2,980 (37.5)
65								2,250 (21)	2,250 (30.5)
70									1,750 (22.5)
Minimum boom angle (degrees) for indicated boom length (no load)									0
Maximum boom length (feet) at 0° boom angle (no load)									80

Note: () Boom angles are in degrees.
#LMI operating code. Two or four digit code depends on LMI system. Refer to LMI manual for instructions.

A6-829-007646 & 007587

MAIN BOOM - OVER REAR

Radius in Feet	#0001 or #01								
	Main Boom Length in Feet								
	33	38	44	50	56	62	68	74	80
10	70,000 (64.5)	52,000 (68)	51,000 (71)						
12	52,500 (60.5)	52,000 (64.5)	51,000 (68.5)	44,900 (71.5)	40,500 (73.5)				
15	42,000 (54)	42,000 (59.5)	42,000 (64)	40,200 (67.5)	36,000 (70.5)	31,000 (72.5)	26,000 (74.5)		
20	30,000 (42.5)	30,000 (50)	30,000 (56.5)	30,000 (61)	30,000 (64.5)	24,500 (67.5)	23,000 (70)	21,500 (72)	20,000 (73.5)
25	22,700 (26.5)	22,700 (39)	22,700 (48)	22,700 (54.5)	22,700 (59)	20,800 (62.5)	19,750 (65.5)	18,200 (67.5)	17,700 (69.5)
30		17,800 (24.5)	17,800 (38.5)	17,800 (47)	17,800 (52.5)	17,400 (57)	16,650 (60.5)	15,800 (63.5)	14,950 (65.5)
35			14,400 (26)	14,400 (38)	14,400 (46)	14,400 (51)	14,200 (55.5)	13,700 (59)	12,900 (61.5)
40				11,620 (27.5)	11,620 (38)	11,620 (45)	11,620 (50)	11,620 (54)	11,400 (57.5)
45					9,490 (28.5)	9,490 (37.5)	9,490 (44)	9,490 (49)	9,490 (53)
50					7,940 (13)	7,940 (29)	7,940 (37.5)	7,940 (43.5)	7,940 (48)
55						6,770 (16.5)	6,770 (29.5)	6,770 (37.5)	6,770 (43)
60							5,860 (19)	5,860 (30.5)	5,860 (37.5)
65								4,920 (21)	4,970 (30.5)
70									4,270 (22.5)
Minimum boom angle (degrees) for indicated boom length (no load)									0
Maximum boom length (feet) at 0° boom angle (no load)									80

Note: () Boom angles are in degrees.
#LMI operating code. Two or four digit code depends on LMI system. Refer to LMI manual for instructions.

A6-829-007634 & 007587

**30 FT. FIXED LENGTH EXTENSION
(ON OUTRIGGERS FULLY EXTENDED- 360°)**

NOTES FOR LIFTING CAPACITIES

WARNING: THIS CHART IS ONLY A GUIDE. The Notes below are for illustration only and should not be relied upon to operate the crane. The individual crane's load chart, operating instructions and other instruction plates must be read and understood prior to operating the crane.

1. All rated loads have been tested to and meet minimum requirements of SAE J1063 OCT80 - Cantilevered Boom Crane Structures - Method of Test, and do not exceed 85% of the tipping load on outriggers as determined by SAE J765 OCT 80 Crane Stability Test Code.
2. Capacities given do not include the weight of hookblocks, slings, auxiliary lifting equipment and load handling devices. Their weights MUST be added to the load to be lifted. When more than minimum required reeving is used, the additional rope weight shall be considered part of the load.
3. Capacities appearing above the bold line are based on structural strength and tipping should not be relied upon as a capacity limitation.
4. All capacities are for crane on firm, level surface. It may be necessary to have structural supports under the outrigger floats or tires to spread the load to a larger bearing surface.
5. When either boom length or radius or both are between values listed, the smallest load shown at either the next larger radius or boom length shall be used.
6. Tires shall be inflated to the recommended pressure before lifting on rubber.
7. For outrigger operation, ALL outriggers shall be fully extended with tires raised free of ground before raising the boom or lifting loads.

Constant improvement and engineering progress make it necessary that we reserve the right to make specification, equipment, and price changes without notice. Illustrations shown may include optional equipment and accessories and may not include all standard equipment.



Grove Worldwide - World Headquarters
1565 Buchanan Trail East
Shady Grove, Pennsylvania 17256
Phone: (717) 597-8121 Fax: (717) 597-4062

Grove North America
P.O. Box 21, Shady Grove, Pennsylvania 17256
Western Hemisphere, Asia/Pacific
Phone: (717) 597-8121 Fax: (717) 597-4062

Grove Europe*
Sunderland, England SR4 6TT
Europe, Africa, Middle East, Near East
Phone: (0191) 565-6281 FAX: (0191) 564-0442
*Grove Europe Limited, Registered in England, Number 1845128, Registered office, Crown Works, Pallion, Sunderland, Tyne & Wear, England SR4 6TT.

FORM NO.: LC-TMS250C 85% DOM. P/N: 3-347 895-5M PRINTED IN U.S.A.

Main Boom Angle (deg.)	#0051 or #51		#0052 or #52		#0053 or #53	
	0° OFFSET		15° OFFSET		30° OFFSET	
	Rad. Ref. (ft.)	Capacity (lbs.)	Rad. Ref. (ft.)	Capacity (lbs.)	Rad. Ref. (ft.)	Capacity (lbs.)
75	26.7	10,350	32.8	7,660	38.8	5,310
70	35.7	8,790	41.6	6,530	47.2	4,850
65	44.4	7,080	49.9	5,550	55.2	4,470
60	52.7	5,890	57.8	4,810	62.7	3,980
55	60.7	4,380	65.3	3,570	69.7	2,930
50	68.1	3,180	72.2	2,610	76.1	2,160
45	75.0	2,310	78.6	1,910	81.9	1,570
40	81.2	1,660	84.3	1,370	87.1	1,130

#LMI operating code. Refer to LMI manual for instructions.

A6-829-007684A

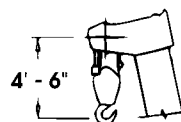
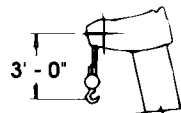
**30 FT. FIXED LENGTH EXTENSION
(ON OUTRIGGERS FULLY EXTENDED- OVER REAR)**

Main Boom Angle (deg.)	#0051 or #51		#0052 or #52		#0053 or #53	
	0° OFFSET		15° OFFSET		30° OFFSET	
	Rad. Ref. (ft.)	Capacity (lbs.)	Rad. Ref. (ft.)	Capacity (lbs.)	Rad. Ref. (ft.)	Capacity (lbs.)
75	26.7	10,350	32.8	7,650	38.8	5,300
70	35.7	8,780	41.6	6,520	47.2	4,840
65	44.4	7,070	49.9	5,540	55.2	4,460
60	52.7	5,880	57.8	4,800	62.7	4,160
55	60.7	4,920	65.3	4,220	69.7	3,830
50	68.1	4,130	72.2	3,670	76.1	3,440
45	75.0	3,530	78.6	3,190	81.9	3,030
40	81.2	3,050	84.3	2,810	87.1	2,550
35	86.9	2,580	89.3	2,330	91.6	2,120
30	91.9	2,100	93.7	1,930		
25	96.2	1,730	97.3	1,630		
20	99.7	1,450	100.1	1,420		
15	102.3	1,260				
10	104.2	1,120				

#LMI operating code. Two or four digit code depends on LMI system. Refer to LMI manual for instructions.

A6-829-009407

WARNING FOR 30 FT. BOOM EXTENSION: For main boom length greater than 62 ft. with 30 ft. fixed length boom extension in working position, the boom angle must not be less than 37° since loss of stability will occur causing a tipping condition. The boom angle is not restricted for main boom length equal to or less than 62 ft. This warning applies for boom extension erection purposes also.



DIMENSIONS ARE FOR LARGEST GROVE FURNISHED HOOK BLOCK AND HEADACHE BALL, WITH ANTI-TWO BLOCK ACTIVATED.

30 FT. - 54 FT. TELE. EXTENSION ON OUTRIGGERS FULLY EXTENDED - 360°

Main Boom Angle (deg.)	30 ft. LENGTH			42 ft. LENGTH			54 ft. LENGTH		
	#0021 or #21	#0022 or #22	#0023 or #23	#0031 or #31	#0032 or #32	#0033 or #33	#0041 or #41	#0042 or #42	#0043 or #43
	0° OFFSET	15° OFFSET	30° OFFSET	0° OFFSET	15° OFFSET	30° OFFSET	0° OFFSET	15° OFFSET	30° OFFSET
75	10,000 (26.7)	7,300 (32.8)	4,950 (38.8)	7,700 (30.9)	5,090 (39.3)	3,750 (48.2)	6,150 (35.1)	3,750 (46.0)	2,690 (57.2)
70	8,430 (35.7)	6,170 (41.6)	4,490 (47.2)	6,950 (40.8)	4,610 (48.8)	3,460 (57.1)	5,340 (46.0)	3,300 (56.4)	2,480 (66.7)
65	6,720 (44.4)	5,190 (49.9)	4,110 (55.2)	5,280 (50.3)	3,900 (58.1)	3,230 (65.6)	4,380 (56.5)	2,970 (66.3)	2,320 (75.6)
60	5,530 (52.7)	4,430 (57.8)	3,510 (62.7)	4,350 (59.5)	3,360 (66.7)	2,470 (73.6)	3,470 (66.5)	2,620 (75.7)	1,910 (83.9)
55	3,870 (60.7)	3,080 (65.3)	2,450 (69.7)	3,180 (68.3)	2,310 (74.9)	1,660 (80.9)	2,730 (76.1)	1,850 (84.6)	1,260 (91.6)
50	2,670 (68.1)	2,110 (72.2)	1,660 (76.1)	2,130 (76.4)	1,510 (82.5)	1,050 (87.7)			
45	1,780 (75.0)	1,400 (78.6)	1,070 (81.9)						

Note: () Reference radii are in feet.
 #LMI operating code. Two or four digit code depends on LMI system.
 Refer to LMI manual for instructions.

A6-829-007677A

30 FT. - 54 FT. TELE. EXTENSION ON OUTRIGGERS FULLY EXTENDED - OVER REAR

Main Boom Angle (deg.)	30 ft. LENGTH			42 ft. LENGTH			54 ft. LENGTH		
	#0021 or #21	#0022 or #22	#0023 or #23	#0031 or #31	#0032 or #32	#0033 or #33	#0041 or #41	#0042 or #42	#0043 or #43
	0° OFFSET	15° OFFSET	30° OFFSET	0° OFFSET	15° OFFSET	30° OFFSET	0° OFFSET	15° OFFSET	30° OFFSET
75	10,000 (26.7)	7,300 (32.8)	4,950 (38.8)	7,700 (30.9)	5,090 (39.3)	3,750 (48.2)	6,150 (35.1)	3,750 (46.0)	2,690 (57.2)
70	8,430 (35.7)	6,170 (41.6)	4,490 (47.2)	6,950 (40.8)	4,610 (48.8)	3,460 (57.1)	5,340 (46.0)	3,300 (56.4)	2,480 (66.7)
65	6,720 (44.4)	5,190 (49.9)	4,110 (55.2)	5,280 (50.3)	3,900 (58.1)	3,230 (65.6)	4,380 (56.5)	2,970 (66.3)	2,320 (75.6)
60	5,530 (52.7)	4,450 (57.8)	3,810 (62.7)	4,350 (59.5)	3,360 (66.7)	2,890 (73.6)	3,470 (66.5)	2,620 (75.7)	2,190 (83.9)
55	4,570 (60.7)	3,870 (65.3)	3,480 (69.7)	3,660 (68.3)	2,940 (74.9)	2,600 (80.9)	2,920 (76.1)	2,290 (84.6)	2,000 (91.6)
50	3,780 (68.1)	3,320 (72.2)	3,090 (76.1)	3,100 (76.4)	2,610 (82.5)	2,360 (87.7)	2,510 (85.0)	2,030 (92.7)	1,820 (98.6)
45	3,180 (75.0)	2,840 (78.6)	2,600 (81.9)	2,600 (84.0)	2,270 (89.4)	1,990 (93.7)	2,140 (93.3)	1,820 (100.2)	1,670 (104.7)
40	2,680 (81.2)	2,330 (84.3)	2,040 (87.1)	2,210 (90.9)	1,850 (95.7)	1,610 (99.0)	1,820 (101.0)	1,540 (106.8)	1,330 (110.2)
35	2,050 (86.9)	1,810 (89.3)	1,600 (91.6)	1,740 (97.2)	1,480 (101.1)	1,330 (103.5)	1,480 (107.7)	1,180 (112.6)	1,070 (114.6)
30	1,570 (91.9)	1,410 (93.7)		1,380 (102.7)	1,190 (105.7)		1,110 (113.7)		
25	1,200 (96.2)	1,100 (97.3)		1,100 (107.3)					

Note: () Reference radii are in feet.
 #LMI operating code. Two or four digit code depends on LMI system.
 Refer to LMI manual for instructions.

A6-829-009408A

*** WARNING FOR 30 FT. BOOM EXTENSION:** For main boom length greater than 56 ft. with 30 ft. tele. boom extension in working position, the boom angle must not be less than 45° since loss of stability will occur causing a tipping condition. The boom angle is not restricted for main boom length equal to or less than 56 ft.

*** WARNING FOR 42 FT. BOOM EXTENSION:** For main boom length greater than 50 ft. with 42 ft. tele. boom extension in working position, the boom angle must not be less than 49° since loss of stability will occur causing a tipping condition. The boom angle is not restricted for main boom length equal to or less than 50 ft.

*** WARNING FOR 54 FT. BOOM EXTENSION:** For main boom length greater than 44 ft. with 54 ft. tele. boom extension in working position, the boom angle must not be less than 53° since loss of stability will occur causing a tipping condition. The boom angle is not restricted for main boom length equal to or less than 44 ft.

*** This warning applies for boom extension erection purposes also.**

LINE PULLS AND REEVING INFORMATION

WEIGHT REDUCTIONS FOR LOAD HANDLING DEVICES

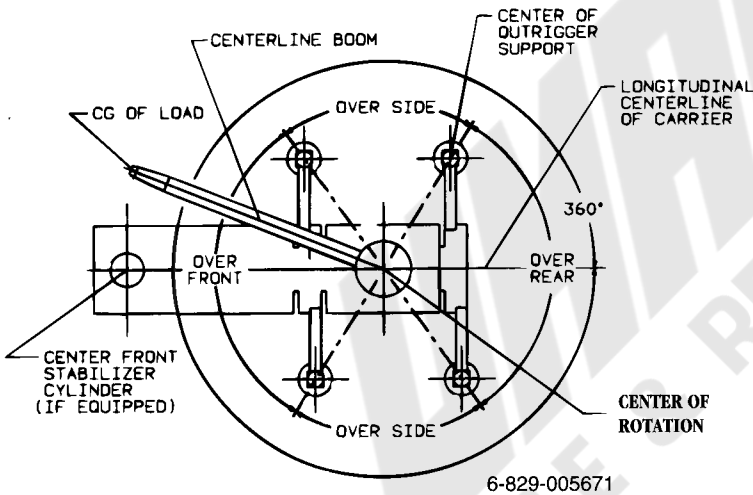
HOISTS	CABLE SPECS.	PERMISSIBLE LINE PULLS
MAIN & AUX. Model 15	5/8" (16 mm) 18x19 Class or 35x7 Rotation Resistant Min. Breaking Str. 45,400 lbs.	8,496 lbs.
MAIN & AUX. Model 15	5/8" (16 mm) 6x37 Class EIPS, IWRC Special Flexible Min. Breaking Str. 41,200 lbs.	8,496 lbs.
AUXILIARY Model 15	1/2" (13 mm) 18x19 Class or 35x7 Rotation Resistant Min. Breaking Str. 29,200 lbs.	5,840 lbs.

30 ft. BOOM EXTENSION	
*Stowed -	397 lbs.
*Erected -	3,220 lbs.
30 ft. - 54 ft. TELE. BOOM EXTENSION	
*Stowed -	572 lbs.
*Erected (Retracted) -	4,950 lbs.
*Erected (Extended) -	6,627 lbs.
*Reduction of main boom capacities	

AUXILIARY BOOM HEAD	110 lbs.
HOOKBLOCKS and HEADACHE BALLS:	
35 Ton, 4 Sheave	600 lbs.+
12 Ton, 1 Sheave	360 lbs.+
5 Ton Headache Ball	172 lbs.+
7 1/2 Ton Headache Ball	338 lbs.+

AREA OF OPERATION

+Refer to rating plate for actual weight



ZERO DEGREE BOOM ANGLE CHARTS - 360°

Lifting Capacities on Outriggers - 360 degrees at Zero Degree Boom Angle									
Boom Angle	Main Boom Length in Feet								
	33	38	44	50	56	62	68	74	80
0°	10,700 (28.3)	8,720 (33.2)	6,910 (39.2)	5,540 (45.2)	4,460 (51.2)	3,410 (57.2)	2,480 (63.2)	1,810 (69.2)	1,370 (75.2)

() Reference Radii are in Feet.

A6-829-009656

Lifting Capacities on Outriggers - Over Rear at Zero Degree Boom Angle									
Boom Angle	Main Boom Length in Feet								
	33	38	44	50	56	62	68	74	80
0°	10,700 (28.3)	8,720 (33.2)	6,910 (39.2)	5,540 (45.2)	4,460 (51.2)	3,600 (57.2)	2,880 (63.2)	2,280 (69.2)	1,770 (75.2)

() Reference Radii are in Feet.

A6-829-009657

TMS2500

Carrier-Mounted Hydraulic Crane Specifications



Superstructure specifications

Boom	32 ft. to 80 ft. (9.8m-24.4m) three section Trapezoidal full power boom. Telescoping is mechanically synchronized with single lever control. Telescopic sections slide on adjustable and replaceable Nylatron wear pads. Maximum Tip Height: 85 ft. (25.9m).
Swingaway Extension	30 ft. (9.3m) lattice swingaway boom extension stows alongside base boom section when not in use, offsettable at 0°, 15° or 30°. Maximum Tip Height: 114 ft. (34.7m).
*Optional Telescopic Swingaway	30 ft. to 54 ft. (9.1m-16.5m) telescopic lattice swingaway extension with offset links, offsettable at 0°, 15° or 30°. Stows alongside base boom when not in use. Maximum Tip Height: 137 ft. (41.8m).
Boom Nose	Five steel sheaves mounted on heavy duty tapered roller bearings with removable pin-type rope guards. *Optional removable auxiliary boom nose with removable pin type rope guard.
Boom Elevation	One double acting hydraulic cylinder with integral holding valve provides elevation from -4° to 75°.
Load Moment & Anti-Two Block System	Standard load moment and anti-two block system with audio-visual warning and control lever lockout. These systems provide electronic display of boom angle, length, radius, tip height, relative load moment, maximum permissible load, load indication and warning of impending two-block condition.
Cab	Full vision, all steel fabricated with acoustical lining and tinted safety glass throughout. Dash panel incorporates gauges for all engine functions. Other standard features include: hinged skylight, sliding left side door and sliding right side window, electric windshield wash/wipe, circulating air fan, heater, swing horn, fire extinguisher, seat belt. *Optional items: electric skylight wiper and air conditioning.
Swing	Roller bearing swing circle with 360° continuous rotation. Grove planetary "glide-swing" with foot actuated disc brake, spring applied hydraulically released park brake and 360° position positive turntable lock. Combination controls provided for hand or foot operation. Swing speed 3.6 RPM.
Counterweight	Fixed position pinned to turntable. (Weight varies depending on hoist configuration).

HYDRAULIC SYSTEM

Pumps	One, 3-section gear pump driven off transmission PTO with manual pump disconnect. Combined capacity 112.5 GPM (426 LPM).
Valves	Precision four way double acting control valves, 3 individual valve banks permit simultaneous control of multiple crane functions.
Filter	Suction line type, full flow with by-pass protection and filter by-pass indicator, replaceable cartridge, 7/17/22 micron filtration rating.
Reservoir	86 gallons (326 L) with spin-on breather filter, external sight gauge, clean out access, strap mounted to frame.
Oil Cooler	Full flow, fin and tube, oil to air.

HOIST SPECIFICATIONS

Power up and down, equal speed, planetary reduction with integral automatic brake and electronic hoist drum rotation indicator.

Make/Model	Grove Main Hoist HO15B-20 and *Aux. Hoist HO15B-20	
	Main	Auxiliary
Maximum single line speed	Bottom layer 298 FPM (91m/min)	161 FPM (49m/min)
	Intermediate layer 352 FPM (107m/min)	190 FPM (58m/min)
	Top layer 379 FPM (116m/min)	205 FPM (62m/min)
Maximum single line pull	Bottom layer 8,496 lbs. (3854 kg)	8,496 lbs. (3854 kg)
	Intermediate layer 7,194 lbs. (3263 kg)	7,194 lbs. (3263 kg)
	Top layer 6,681 lbs. (3031 kg)	6,681 lbs. (3031 kg)
Maximum permissible line pull	8,496 lbs. (3854 kg)	8,496 lbs. (3854 kg)
w/5:1 strength factor	5/8 in. (16mm) 18x19 class wire rope	
Maximum rope stowage	450 ft. of 5/8" dia. rope (137m of 16mm)	
	Note: 450 ft. (137m) length of wire rope supplied with basic unit.	

*Denotes optional equipment

Carrier specifications

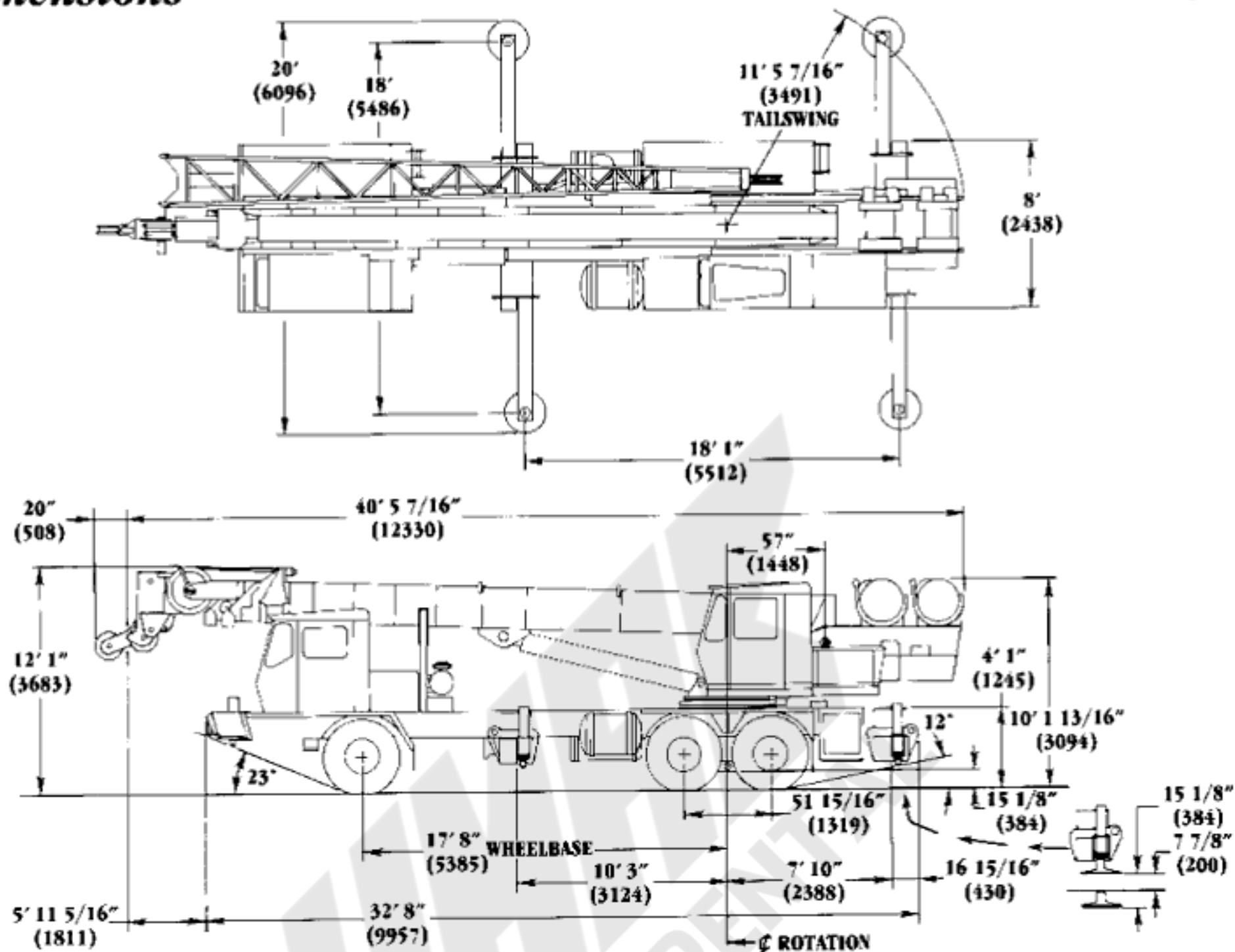
Frame	High strength alloy steel all welded box-type construction with integral outrigger housings and front/rear lifting, towing and tie down lugs.
Outrigger System	Hydraulic single stage double box telescopic beam and jack outriggers with integral holding valves. All steel fabricated quick release type outrigger floats 24 in. (610mm) diameter. Maximum outrigger pad load 55,213 lbs. (25,044 kg). Standard fifth front stabilizer for 360° duties.
Outrigger Controls	Located in the superstructure cab. Push button controls requiring two-handed operation. Crane level indicator (sight bubble) adjacent to controls.
Engine	6CTA8.3 Cummins six cylinder turbocharged water cooled diesel. 210 hp (157 kw) (Gross) @ 2400 RPM. Maximum net torque 605 ft. lbs. (84 kg/m) @ 1300 RPM.
Fuel Tank Capacity	(1) 60 gallons (227 L)
Electrical System	Four 12-volt - maintenance free batteries, 24 volt starting.
Drive	6 x 4
Steering	Front axle steering, rack and pinion design with hydraulic assist.
Transmission	Manual with 13 speeds forward, 3 reverse.
Axles	Front: 1 steer, beam type Rear: 2 & 3 drive axles with inter-axle differential locks.
Suspension	Front axle (1) spring mounted. Rear axles (2) solid mount tandem with equalizing beam and solid steel saddles.
Tires	Front: 425/65R22.5 Rear: 9:00x20-12PR Optional Rear: 10.00x20-12PR
Brakes	Full air on all wheels. Air dryer provided to preclude moisture accumulation. Spring set emergency brake on both rear axles with emergency release.
Lights	Full lighting including head, tail, braking, reversing, fog, directional and hazard warning lights.

Cab	One man design, all steel fabricated with acoustical lining and tinted safety glass throughout. Deluxe fabric covered fully adjustable seat. Complete driving controls and engine instrumentation including tachometer, speedometer, voltmeter, water temp., oil pressure, fuel level, air pressure gauge with A/V warning. Other standard items include hot water heater/defroster, electric windshield wash/wipe, fire extinguisher, seat belt and door and window locks.
Maximum Speed	52 MPH (83.7 kph)
BASIC STANDARD MACHINE	
Gross Vehicle Weight & Axle Loads	Front: 16,762 lbs. (7,603 kg) Rear Tandem: 33,982 lbs. (15,414 kg) G.V.W.: 50,744 lbs. (23,017 kg)
Miscellaneous Standard Equipment	Dual rear view mirrors, hookblock tiedown sling, electronic back-up alarm, air cleaner service indicator, fuel/water separator and ether cold start aid. Sling box.
Optional Equipment	Immersion engine block heater, engine low oil pressure/high water temperature audio visual warning and tire inflation kit.

*Denotes optional equipment.

Dimensions

TMS250C



Consult your equipment dealer for any special requirements. Dimensions are subject to change without notice. Illustrations do not include optional equipment and accessories and may not include all standard equipment.

Grove Worldwide - World Headquarters
1565 Buchanan Trail East
Shady Grove, Pennsylvania 17256
Phone: (717) 597-8121 Telex: 1812308 Fax: (717) 597-1062

Grove North America
P.O. Box 21, Shady Grove, Pennsylvania 17256
Western Hemisphere, Asia/Pacific
Phone: (717) 597-8121 Telex: 1812308 Fax: (717) 597-1062

Grove Europe
Sunderland, England SR1 6TT
Europe, Africa, Middle East, Near East
Phone: (091) 565-6281 Telex: 53484 CRANES G Fax: (091) 561-0442

Grove Europe Limited, Registered in England, Number 1815128. Registered office,
Crown Works, Pallion, Sunderland, Tyne & Wear, England SR1 6TT.

Distributed By: