



WORLD  
LEADER  
IN

**HYDRAULIC  
CRANES**

**G**

**RT755**

**O**

**V**

**E**

**55 TON CAP.**  
(50 TON METRIC)





# RT755

## MEASURE THE EXTRA VALUE OF THESE PROFIT MAKING FEATURES

### EXCLUSIVE GROVE

## TRAPEZOIDAL BOOMS

— Standard 3-section 34 ft.-116 ft. (10.4 m-35.4 m)

— Optional 4-section 35 ft.-142 ft. (10.6 m-43.2 m)

TRAPEZOIDAL BOOM BENEFITS: — Superior load-placement at long-boom reaches due to optimum strength-to-weight ratio, resistance to both vertical and lateral deflection.

MAXIMUM LIFTING CAPACITY — 55 tons (50 mt)

MAXIMUM TIP HEIGHT — 170 ft. (51.8 m) with the 142 ft. (43.2 m) boom and 24 ft. (7.3 m) A-frame offsettable Jib installed in line.

## STRONG LIFTING BASE

Exceptionally rigid all-welded reinforced box-beam frame is braced with strategically-placed cross-members. Front and rear double-box outriggers are integral with frame for optimum stability. Outriggers telescope to 23 ft. (7.0 m) for a broad square stance and 360° lifting base.

## PICK & CARRY

The RT755 excels in pick-and-carry assignments due to improved weight distribution in a longer frame, high maneuverability, short turning radius, four separate steering modes, high-flotation tires, and a rear axle that oscillates up to 10 in. (254mm) over rough terrain for superior ground contact and traction. Compare pick-and-carry performance!

### PERFORMANCE PROVED

## HYDRAULIC SYSTEM

The "755" features a combination of four main gear pumps, 4-way double-acting control valves, and a power-distribution system that permits multiple simultaneous crane functions — so important for smooth-flowing repetitive duty cycle work.

### DUAL SPEED GROVE

## HYDRAULIC HOIST

The patented Grove Hydraulic Two-Speed Hoist holds special advantages for duty-cycle operation: optimum balance (best of both worlds) in line speeds [up to 525 FPM (160 m/min)] and maximum line pull [up to 16,800 lbs. (7,620 kg)]. Benefit: reduces rigging of sheaves due to the need for fewer parts of line! Superior hoist performance. Another Grove PLUS!

CONSTANT IMPROVEMENT  
RESERVE THE RIGHT TO  
CHANGE WITHOUT NOTICE.  
SERIES AND MODEL DESIGNATED



MAX L: 134.555'  
MAX LENGTH (BOOM FULLY RETRACTED)  
33-90 BOOM - 4112'  
34-104 BOOM  
MAX HEIGHT (MAX BOOM ANGLE)

From DRAWING BOARD to JOBSITE

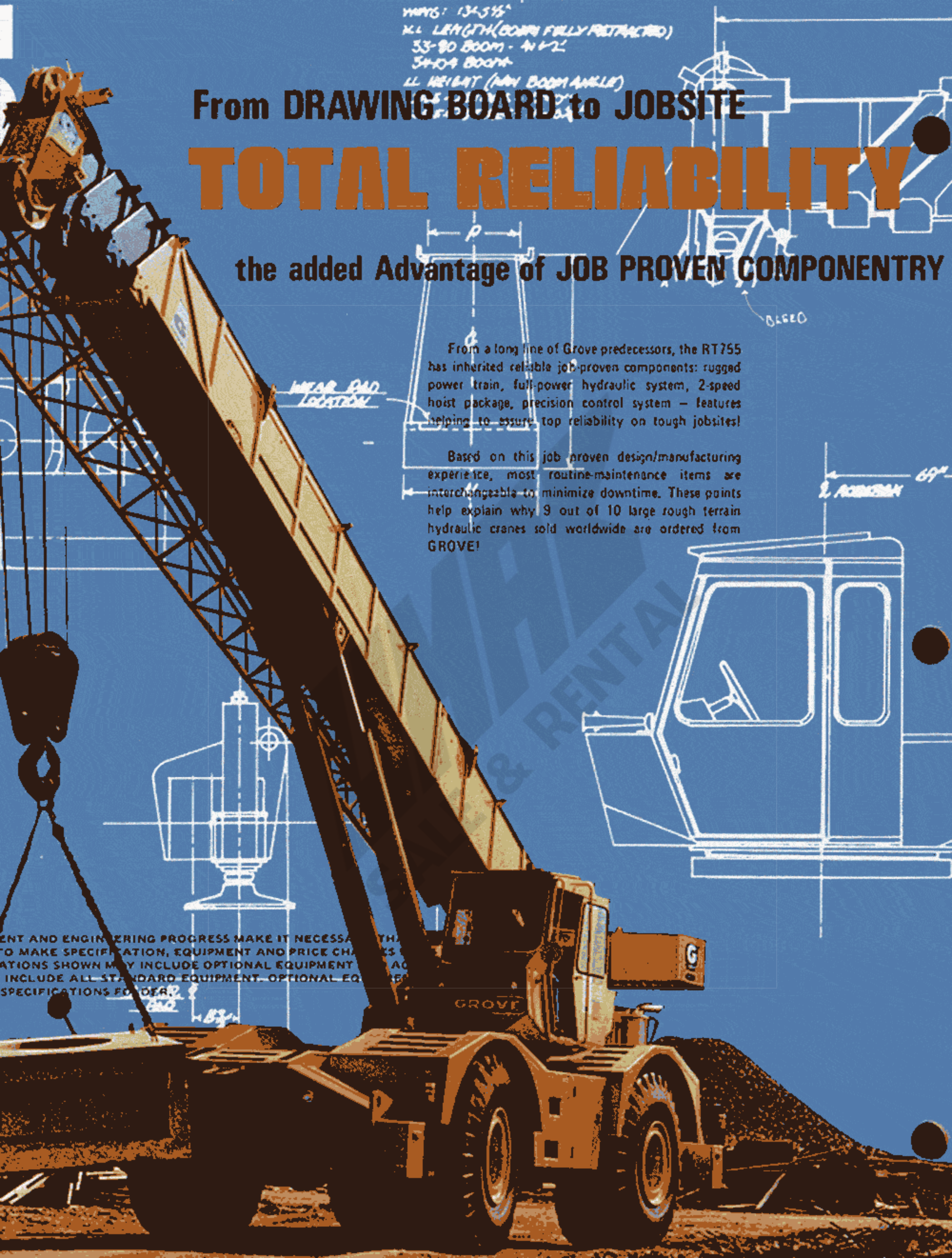
# TOTAL RELIABILITY

the added Advantage of JOB PROVEN COMPONENTRY

From a long line of Grove predecessors, the RT755 has inherited reliable job-proven components: rugged power train, full-power hydraulic system, 2-speed hoist package, precision control system - features helping to assure top reliability on tough jobsites!

Based on this job-proven design/manufacturing experience, most routine-maintenance items are interchangeable to minimize downtime. These points help explain why 9 out of 10 large rough terrain hydraulic cranes sold worldwide are ordered from GROVE!

MENT AND ENGINEERING PROGRESS MAKE IT NECESSARY THAT  
TO MAKE SPECIFICATION, EQUIPMENT AND PRICE CHANGES  
ATIONS SHOWN MAY INCLUDE OPTIONAL EQUIPMENT. ALL AC  
INCLUDE ALL STANDARD EQUIPMENT. OPTIONAL EQUIPMENT  
SPECIFICATIONS FOR ORDER.

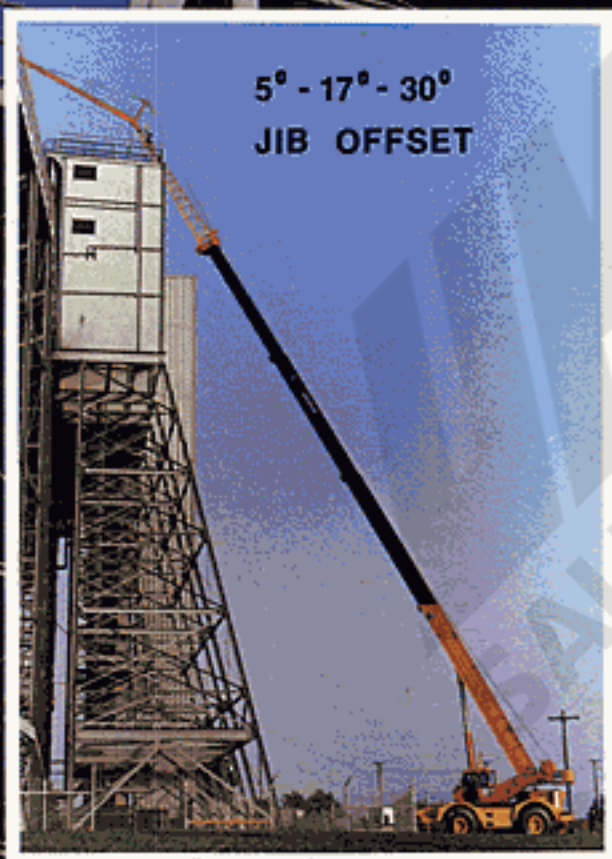




**170'  
TOTAL  
REACH**

**TRAPEZOIDAL BOOM**

Patented Grove feature



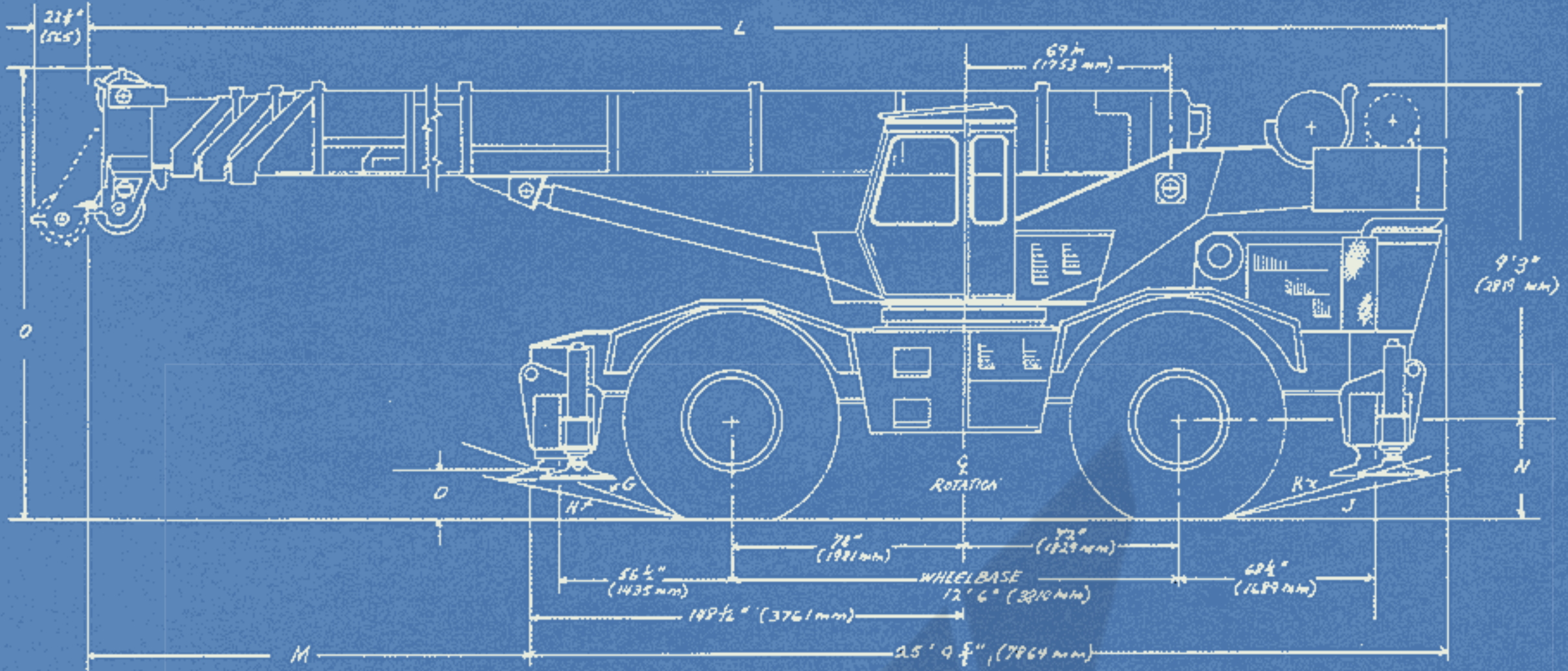
**30°  
JIB OFFSET  
FOR**

**UP & Over Advantage**



# RT755

## BLUEPRINT for SUCCESS!

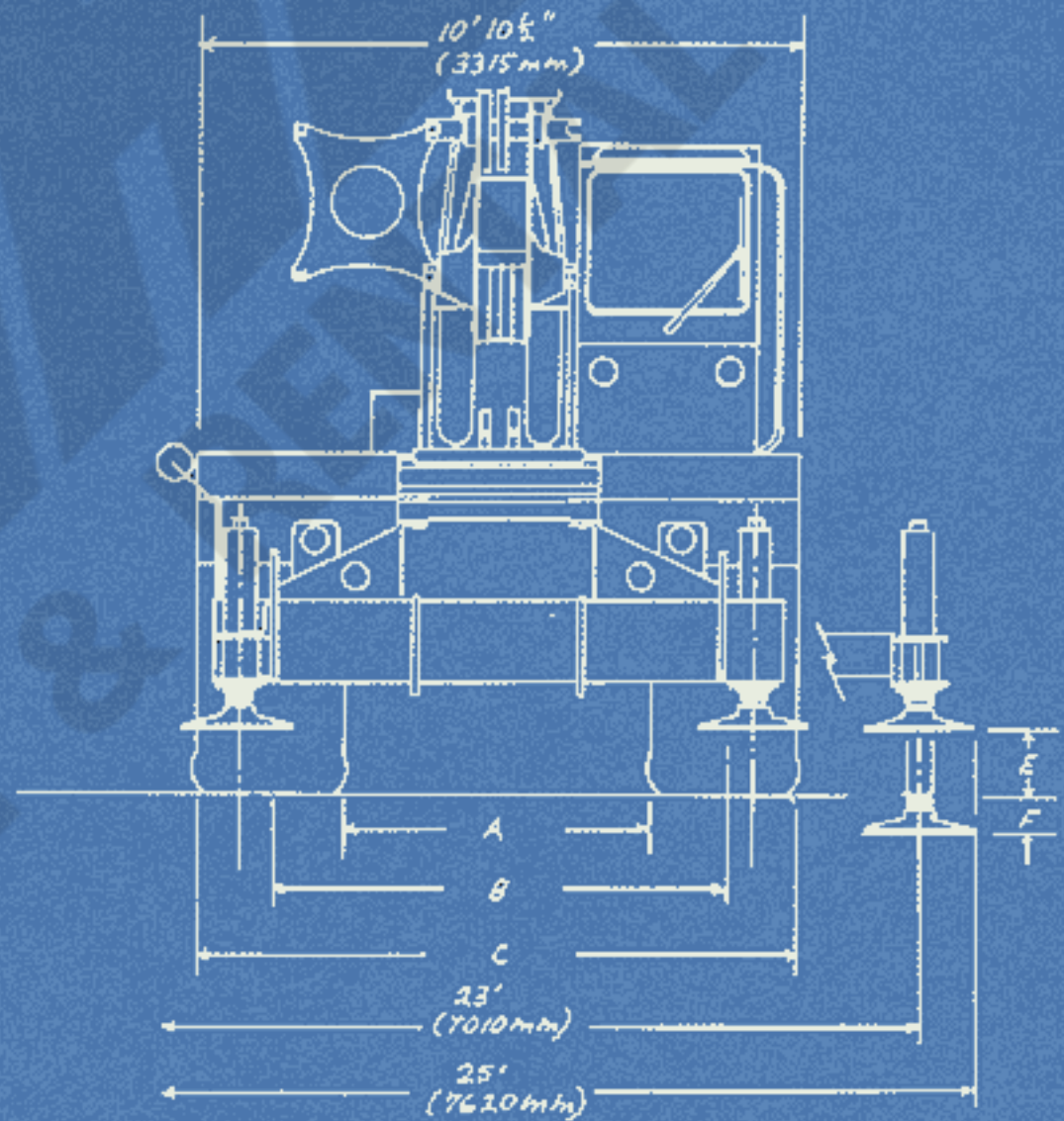


TIRE SIZE	A	B	C	D	E	F	G	H	J	K	N	O
26.5x25	67 in. (1702)	97.5 in. (2489)	10 ft. 8 in. (3251)	16 1/2 in. (419)	12 1/2 in. (318)	5-3/8 in. (137)	15°	10°	13°	8°	31 in. (787)	12 ft. 6-3/16 in. (3815)
29.5x25	66 in. (1676)	98.5 in. (2515)	10 ft. 11 in. (3327)	18 1/2 in. (470)	11-7/8 in. (302)	5-3/8 in. (137)	16°	11°	14°	9°	32 13/16 in. (833)	12 ft. 8-3/4 in. (3880)

BOOM LENGTH	L	M
34 ft. -116 ft. (10.4-35.4m)	43 ft.-3 1/4 in. (13189)	16 ft. -1-1/8 in. (4905)
35 ft. -142 ft. (10.6-43.2m)	44 ft. 5 in. (13538)	18 ft.-7/8 in. (5508)

( ) DIMENSIONS IN MILLIMETERS

TAIL SWING 14' - 1 1/2" (4305)  
 TURNING RADIUS 20' 8" (6299)  
 (4 WHEEL STEER)



### GROVE MANUFACTURING COMPANY

Division of Walter Kidde & Company, Inc.

**KIDDE**

SHADY GROVE, PA 17256

DEALER:

**HYDRAULIC  
CRANES**

TITLE

**RT755**

ROUGH TERRAIN CRANE  
4x4

FORM NO.

SBRT755 (12-79-20M)