

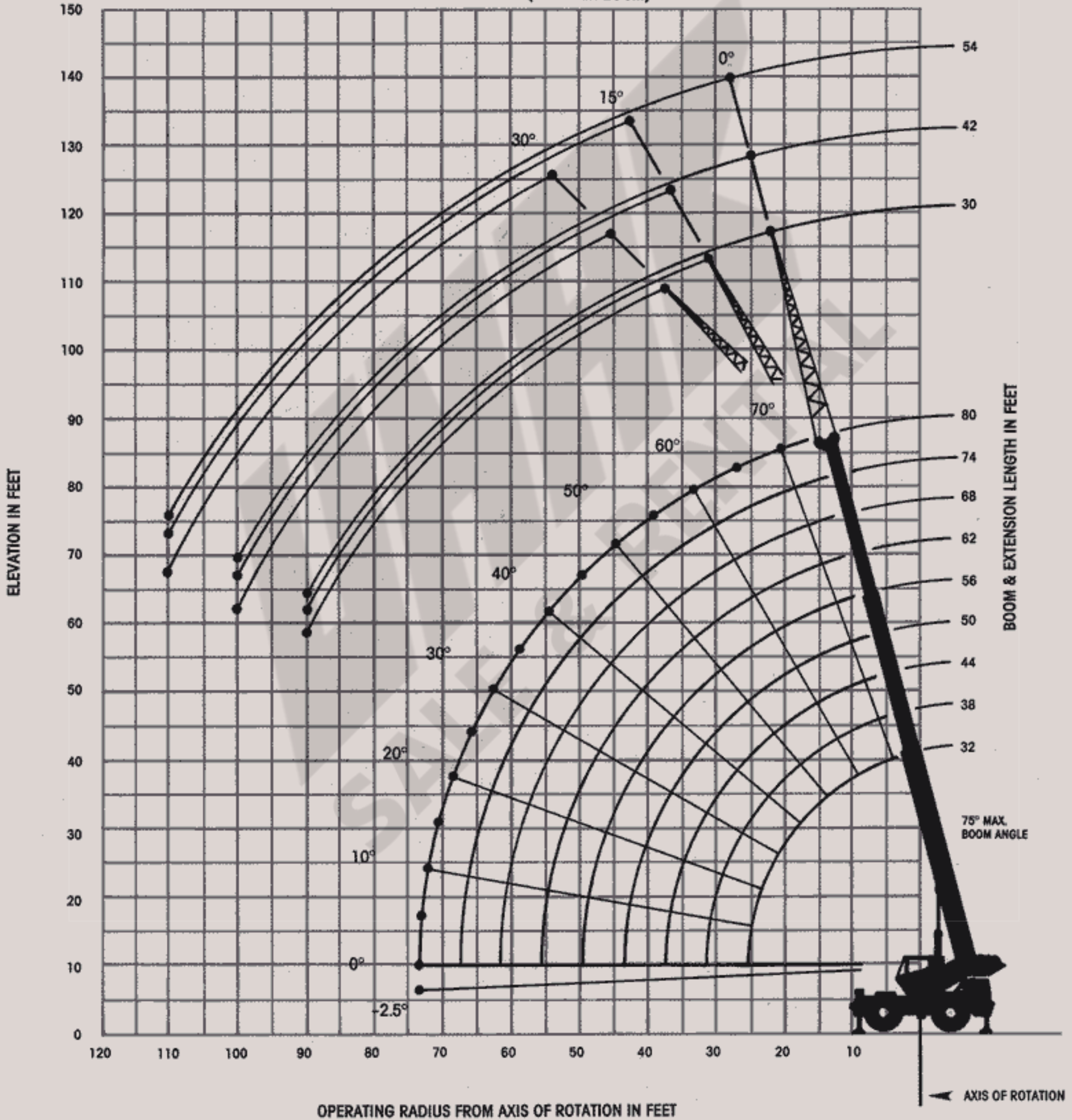


GROVE[®]
worldwide

RT630B

Rough terrain hydraulic crane/85% Domestic
32 ft.-80 ft. full power boom

RANGE DIAGRAM (UNLADEN BOOM)



NOTES FOR LIFTING CAPACITIES

“WARNING: THIS CHART IS ONLY A GUIDE. The Notes below are for illustration only and should not be relied upon to operate the crane. The individual crane’s load chart, operating instructions and other instruction plates must be read and understood prior to operating the crane.”

1. All rated loads have been tested to and meet minimum requirements of SAE J1063 OCT80 - Cantilevered Boom Crane Structures - Method of Test, and do not exceed 85% of the tipping load on outriggers (75% of tipping load on rubber) as determined by SAE J765 OCT80 Crane Stability Test Code.
2. Capacities given do not include the weight of hookblocks, slings, auxiliary lifting equipment and load handling devices. Their weights MUST be added to the load to be lifted. When more than minimum required reeving is used, the additional rope weight shall be considered part of the load.
3. Capacities appearing above the bold line are based on structural strength and tipping should not be relied upon as a capacity limitation.
4. All capacities are for crane on firm, level surface. It may be necessary to have structural supports under the outrigger floats or tires to spread the load to a larger bearing surface.
5. When either boom length or radius or both are between values listed, the smallest load shown at either the next larger radius or boom length shall be used.
6. For outrigger operation, ALL outriggers shall be fully extended with tires raised free of ground before raising the boom or lifting loads.
7. Tires shall be inflated to the recommended pressure before lifting on rubber.
8. Defined Arc $\pm 6^\circ$ on either side of longitudinal centerline of machine.
9. With boom extension in working position and main boom length greater than 74 ft., boom angle must not be less than 30° , since loss of stability will occur causing a tipping condition.

Constant improvement and engineering progress make it necessary that we reserve the right to make specification, equipment, and price changes without notice. Illustrations shown may include optional equipment and accessories and may not include all standard equipment.



Grove Worldwide - World Headquarters
 1565 Buchanan Trail East
 Shady Grove, Pennsylvania 17256
 Phone: (717) 597-8121 Telex: 1842308 Fax: (717) 597-4062

Grove North America
 P.O. Box 21, Shady Grove, Pennsylvania 17256
 Western Hemisphere, Asia/Pacific
 Phone: (717) 597-8121 Telex: 1842308 Fax: (717) 597-4062

Grove Europe*
 Sunderland, England SR4 6TT
 Europe, Africa, Middle East, Near East
 Phone: (091) 565-6281 Telex: 53484CRANESG Fax: (091) 564-0442

* Grove Coles Limited, Registered in England, Number 1845128, Registered office, Crown Works, Pallion, Sunderland, Tyne & Wear, England SR4 6TT.

ON RUBBER 20.5x25 TIRES - 24PR (STATIONARY - DEFINED ARC OVER FRONT)

Radius in Feet	Main Boom Length in Feet							
	32	38	44	50	56	62	68	74
10	26,000 (63)	26,300 (67.5)	22,300 (71)	22,300 (74)				
12	25,100 (58.5)	23,300 (64)	20,000 (68.5)	20,000 (71.5)				
15	21,150 (52)	18,500 (59)	14,800 (64)	14,800 (67.5)	14,800 (70.5)	14,800 (73)		
20	15,000 (38)	15,000 (49)	11,550 (56)	11,550 (61)	11,550 (65)	11,550 (68)	11,550 (70.5)	11,550 (72.5)
25	9,880 (9.5)	9,880 (37.5)	8,500 (47.5)	8,500 (54)	8,500 (59)	8,500 (63)	8,500 (66)	8,500 (68)
30		7,200 (18.5)	7,200 (37)	7,200 (46)	6,800 (52.5)	6,800 (57.5)	6,800 (61)	6,800 (64)
35			5,420 (21.5)	5,420 (37)	5,000 (45)	5,000 (51.5)	5,000 (56)	5,000 (59.5)
40				4,140 (24)	4,140 (37)	3,800 (45)	3,800 (50.5)	3,800 (54.5)
45					3,190 (25.5)	3,190 (37.5)	3,190 (44)	3,190 (49.5)
50						2,460 (28)	2,460 (37)	2,460 (43.5)
55							1,870 (28.5)	1,870 (37)
60							1,380 (14)	1,380 (29)
65								980 (17.5)

A6-829-009013

ON RUBBER (STATIONARY CAPACITIES - 360°)

Radius in Feet	Main Boom Length in Feet						
	32	38	44	50	56	62	68
10	26,300 (63)	26,300 (67.5)	22,300 (71)				
12	19,200 (58.5)	19,200 (64)	19,200 (68.5)	18,000 (71.5)			
15	13,150 (52)	13,150 (59)	13,150 (64)	13,150 (67.5)	13,150 (70.5)	13,150 (73)	
20	7,920 (38)	7,920 (49)	7,920 (56)	7,920 (61)	7,920 (65)	7,920 (68)	7,920 (70.5)
25	5,100 (9.5)	5,100 (37.5)	5,100 (47.5)	5,100 (54)	5,100 (59)	5,100 (63)	5,100 (66)
30		3,510 (18.5)	3,510 (37)	3,510 (46)	3,510 (52.5)	3,510 (57.5)	3,510 (61)
35			2,430 (21.5)	2,430 (37)	2,430 (45)	2,430 (51.5)	2,430 (56)
40				1,640 (24)	1,640 (37)	1,640 (45)	1,640 (50.5)
45					1,040 (25.5)	1,040 (37.5)	1,040 (44)

A6-829-009014

ON RUBBER (PICK & CARRY CAPACITIES - UP TO 2.5 MPH)

Radius in Feet	Main Boom Length in Feet								
	32	38	44	50	56	62	68	74	80
10	33,500 (63)	26,300 (67.5)	23,300 (71)	22,300 (74)					
12	28,750 (58.5)	23,300 (64)	23,300 (68.5)	20,000 (71.5)					
15	23,300 (52)	23,300 (59)	23,300 (64)	18,500 (67.5)	14,800 (70.5)	14,800 (73)			
20	15,000 (38)	15,000 (49)	15,000 (56)	15,000 (61)	11,550 (65)	11,550 (68)	11,550 (70.5)	11,550 (72.5)	11,550 (74)
25	9,880 (9.5)	9,880 (37.5)	9,880 (47.5)	9,880 (54)	8,500 (59)	8,500 (63)	8,500 (66)	8,500 (68)	8,500 (70.5)
30		6,760 (18.5)	6,760 (37)	6,760 (46)	6,760 (52.5)	6,760 (57.5)	6,760 (61)	6,760 (64)	6,760 (66.5)
35			5,350 (21.5)	5,350 (37)	5,350 (45)	5,350 (51.5)	5,000 (56)	5,000 (59.5)	5,000 (62.5)
40				4,140 (24)	4,140 (37)	4,140 (45)	3,800 (50.5)	3,800 (54.5)	3,800 (58)
45					3,190 (25.5)	3,190 (37.5)	3,190 (44)	3,190 (49.5)	3,190 (53.5)
50						2,460 (28)	2,460 (37)	2,460 (43.5)	2,460 (48.5)
55							1,870 (28.5)	1,870 (37)	1,870 (43.5)
60							1,380 (14)	1,380 (29)	1,380 (37.5)
65								980 (17.5)	980 (30)

NOTE: Boom angles are in degrees.

A6-829-009015

NO LOAD STABILITY ON RUBBER

	No Load Stability Data		Main Boom 80 ft.
	Min. boom angle (deg.) for indicated length	Max. boom length (ft.) at 0 deg. boom angle	
Front (No load)	14	74	
360 Deg. (No load)	46	56	

30 FT. OFFSETTABLE EXTENSION (ON OUTRIGGERS - 360°)

MAIN BOOM ON OUTRIGGERS FULLY EXTENDED - 360°

Radius in Feet	0° OFFSET		15° OFFSET		30° OFFSET	
	Boom Angle Ref. (Deg.)	Cap. lbs.	Boom Angle Ref. (Deg.)	Cap. lbs.	Boom Angle Ref. (Deg.)	Cap. lbs.
30	75.0	10,350				
35	73.5	9,800	75.0	7,660		
40	70.5	8,790	74.0	7,040	75.0	5,310
45	67.0	7,510	70.5	6,030	74.0	5,170
50	64.0	6,370	67.0	5,300	70.5	4,810
55	60.5	5,560	63.5	4,730	67.0	4,350
60	57.0	4,880	60.0	4,210	63.5	3,910
65	53.5	4,300	56.5	3,780	60.0	3,550
70	49.5	3,820	52.5	3,410	56.0	3,230
75	45.5	3,410	48.5	3,070	51.5	2,940
80	41.5	2,860	44.0	2,790	47.0	2,690
85	36.5	2,340	39.0	2,340	42.0	2,340
90	31.5	1,890	33.5	1,890	36.0	1,890

*Capacity based upon maximum boom angle.

A6-829-008620

WEIGHT REDUCTIONS FOR LOAD HANDLING DEVICES

30 FT. EXTENSION	
†Stowed -	456 lbs.
†Erected -	3,288 lbs.

30 FT. - 54 FT. TELE. EXT.	
†Stowed -	652 lbs.
†Erected (ret.) -	5,067 lbs.
†Erected (ext.) -	6,784 lbs.

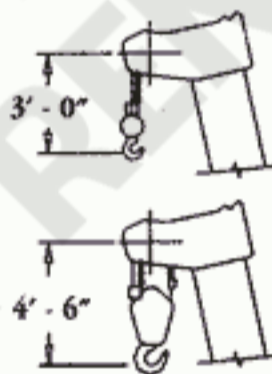
†Reduction of main boom capacities.

HOOKBLOCKS:	
12 Ton, 1 Sheave (12 1/8 in. OD)	270 lbs.
12 Ton, 1 Sheave (15 7/8 in. OD)	360 lbs.
35 Ton, 4 Sheave	600 lbs.
Auxiliary Boom Head	145 lbs.
5 Ton Headache Ball	172 lbs.

Radius in Feet	Main Boom Length in Feet									
	32	38	44	50	56	62	68	74	80	
10.0	60,000 (63)	39,500 (67.5)	37,500 (71)	36,950 (74)						
12.0	41,300 (58.5)	37,000 (64)	36,000 (68.5)	35,000 (71.5)	32,400 (74)					
15.0	31,750 (52)	31,500 (59)	30,950 (64)	30,300 (67.5)	29,750 (70.5)	29,150 (73)				
20.0	24,050 (38)	24,050 (49)	24,050 (56)	24,050 (61)	23,800 (65)	23,400 (68)	22,250 (70.5)	20,500 (72.5)	19,000 (74)	
25.0	17,950 (9.5)	17,950 (37.5)	17,950 (47.5)	17,950 (54)	17,950 (59)	17,950 (63)	17,950 (66)	17,650 (68)	16,600 (70.5)	
30.0		15,350 (18.5)	15,350 (37)	15,350 (46)	15,350 (52.5)	15,350 (57.5)	15,350 (61)	14,900 (64)	14,550 (66.5)	
35.0			12,850 (21.5)	12,850 (37)	12,850 (45)	12,850 (51.5)	12,850 (56)	12,850 (59.5)	12,500 (62.5)	
40.0				10,700 (24)	10,700 (37)	10,700 (45)	10,700 (50.5)	10,700 (54.5)	10,700 (58)	
45.0					8,970 (25.5)	8,970 (37.5)	8,970 (44)	8,970 (49.5)	8,970 (53.5)	
50.0						7,390 (28)	7,390 (37)	7,390 (43.5)	7,390 (48.5)	
55.0							6,160 (28.5)	6,160 (37)	6,160 (43.5)	
60.0								5,170 (14)	5,170 (29)	5,170 (37.5)
65.0									4,360 (17.5)	4,360 (30)
70.0										3,680 (20)
Minimum boom angle (deg.) for indicated length (no load)										0
Maximum boom length (ft.) at 0 deg. boom angle (no load)										80

NOTE: Boom angles are in degrees.

A6-829-008566



DIMENSIONS ARE FOR LARGEST GROVE FURNISHED HOOK BLOCK AND HEADACHE BALL, WITH ANTI-TWO BLOCK ACTIVATED.

30 FT.-54 FT. TELE. EXTENSION ON OUTRIGGERS - 360°

Radius in Feet	30 ft. LENGTH						42 ft. LENGTH						54 ft. LENGTH					
	0° OFFSET		15° OFFSET		30° OFFSET		0° OFFSET		15° OFFSET		30° OFFSET		0° OFFSET		15° OFFSET		30° OFFSET	
	Boom Angle Ref. (Deg.)	Cap. lbs.	Boom Angle Ref. (Deg.)	Cap. lbs.	Boom Angle Ref. (Deg.)	Cap. lbs.	Boom Angle Ref. (Deg.)	Cap. lbs.	Boom Angle Ref. (Deg.)	Cap. lbs.	Boom Angle Ref. (Deg.)	Cap. lbs.	Boom Angle Ref. (Deg.)	Cap. lbs.	Boom Angle Ref. (Deg.)	Cap. lbs.	Boom Angle Ref. (Deg.)	Cap. lbs.
30	75.0	10,000																
35	73.5	9,430	75.0	7,300			75.0	7,700										
40	70.5	8,430	74.0	6,680	75.0	4,950	73.0	7,470	75.0	5,090			75.0	6,150				
45	67.0	7,150	70.5	5,670	74.0	4,800	70.5	6,970	74.5	4,990			72.5	5,730				
50	64.0	6,010	67.0	4,940	70.5	4,450	67.5	6,040	72.0	4,590	75.0	3,750	70.0	5,320	75.0	3,750		
55	60.5	5,190	63.5	4,360	67.0	3,990	64.5	5,080	69.0	4,130	73.5	3,580	67.5	4,860	73.0	3,550		
60	57.0	4,520	60.0	3,850	63.5	3,550	61.5	4,410	66.0	3,650	70.5	3,310	65.0	4,360	70.5	3,320	75.0	2,690
65	53.5	3,940	56.5	3,420	60.0	3,190	58.5	3,880	62.5	3,240	67.0	2,990	62.5	3,830	68.0	3,080	73.5	2,620
70	49.5	3,460	52.5	3,040	56.0	2,870	55.5	3,400	59.5	2,890	64.0	2,690	60.0	3,360	65.0	2,820	71.0	2,500
75	45.5	2,960	48.5	2,710	51.5	2,580	52.5	3,000	56.0	2,590	60.5	2,440	57.0	2,970	62.0	2,530	68.0	2,340
80	41.5	2,360	44.0	2,360	47.0	2,330	49.0	2,660	52.5	2,320	57.0	2,210	54.5	2,650	59.0	2,260	65.0	2,160
85	36.5	1,840	39.0	1,840	42.0	1,840	45.0	2,350	49.0	2,080	53.0	1,990	51.5	2,350	56.0	2,030	61.5	1,950
90	31.5	1,380	33.5	1,380	36.0	1,380	41.5	2,020	44.5	1,870	49.0	1,800	48.0	2,100	52.5	1,830	58.5	1,760
95							37.0	1,620	40.5	1,620	44.5	1,620	45.0	1,870	49.5	1,640	55.0	1,610
100							32.5	1,250	35.5	1,250	39.0	1,250	41.5	1,670	45.5	1,480	51.0	1,450
105													37.5	1,410	41.5	1,330	47.0	1,310
110													33.5	1,120	37.0	1,120	42.0	1,120

*Capacity based upon maximum boom angle.

A6-829-008616

ZERO DEGREE BOOM ANGLE CHARTS

ON OUTRIGGERS - 360 DEGREES

Boom Angle	Main Boom Length in Feet								
	32	38	44	50	56	62	68	74	80
0°	12,350 (25)	9,700 (31)	7,760 (37)	6,290 (43)	5,130 (49)	4,200 (55)	3,430 (61)	2,790 (67)	2,240 (73.1)

ON RUBBER 20.5 x 25 TIRES

Stationary Capacity Defined Arc (3) Over Front

Boom Angle	Main Boom Length in Feet						
	32	38	44	50	56	62	68
0°	9,880 (25)	6,800 (31)	4,860 (37)	3,540 (43)	2,590 (49)	1,870 (55)	1,300 (61)

Stationary Capacity 360° Arc

Boom Angle	Main Boom Length in Feet			
	32	38	44	50
0°	5,100 (25)	3,270 (31)	2,090 (37)	1,260 (43)

Pick & Carry Capacities Up to 2.5 MPH Boom Centered (7) Over Front

Boom Angle	Main Boom Length in Feet						
	32	38	44	50	56	62	68
0°	9,880 (25)	6,445 (31)	4,860 (37)	3,540 (43)	2,590 (49)	1,870 (55)	1,300 (61)

A6-829-009401A

Note: () Reference radii in feet

Refer to in-cab load chart for notes.



GROVE[®]
worldwide



Rough-Terrain Hydraulic Crane Specifications

RT6000B Series

Superstructure specifications

Boom	32 ft. to 80 ft. (9.8m - 24.4m) three section Trapezoidal† full power boom. Telescoping is mechanically synchronized with single lever control. Telescopic sections slide on adjustable and replaceable wear pads. Maximum Tip Height: 88 ft. (26.8m).
Swingaway Extension	30 ft. (9.3m) lattice swingaway boom extension stows alongside base boom section when not in use, offsettable at 0°, 15° or 30°. Maximum Tip Height - 117 ft. (35.6m).
Optional Telescopic Swingaway	30 ft. to 42 ft. or 54 ft. (9.3 to 12.8m or 16.4m) telescopic lattice Swingaway extension with offset links, offsettable at 0°, 15°, or 30°. Stows alongside base boom when not in use. Maximum Tip Height - 140 ft. (42.7m).
Boom Nose	Four sheaves mounted on heavy duty tapered roller bearings with removable pin-type rope guards. *Optional removable auxiliary boom nose with removable pin type rope guard.
Boom Elevation	Two double acting hydraulic cylinders with integral holding valve provides elevation from -2.5° to 75°.
Load Moment & Anti-Two Block System	Standard load moment and anti-two block system with audio-visual warning and control lever lockout. These systems provide electronic display of boom angle, length, radius, tip height, relative load moment, maximum permissible load, load indication and warning of impending two-block conditions.
Cab	Full vision, all steel fabricated with accoustical lining and tinted safety glass throughout. Deluxe seat incorporates armrest mounted hydraulic joystick controls. Dash panel incorporates gauges for all engine functions. Other standard features include: telescoping tilt steering wheel, sliding side and rear windows, electric windshield wash-wipe, circulating air fan, manual skylight wiper, swing horn, fire extinguisher, seat belt and ashtray.
Swing	Ball bearing swing circle with 360° continuous rotation. Grove planetary glide-swing with foot applied multi-disc brake. Spring applied hydraulically released parking brake and plunger type, 2 position, mechanical house lock operated from cab. Maximum speed: 3.3 RPM.
Counterweight	Removeable, bolted to turntable mast.

HYDRAULIC SYSTEM

Pumps	3 main gear pumps, combined capacity 112.5 G.P.M. (426 LPM) driven by carrier engine through P.T.O. *Optional pump disconnect with engine jogging switch.
Valves	Precision four way double acting pilot operated control valves, 3 individual valve banks permit simultaneous control of multiple crane functions.
Filter	Return line type, full flow with bypass protection and service indicator. Replaceable cartridge with micron filtration rating of 7/17/22.
Reservoir	88 gallon (333 L) with spin-on breather filter, external sight gauge, clean out access, strap mounted to frame.
Oil Cooler	Remote mounted with thermostatically controlled electric motor driven fan.
Pressure Check Panel	System pressure test panel permits easy verification of circuit pressures.

HOIST SPECIFICATIONS

Power up and down equal speed, planetary reduction with automatic spring applied multi-disc brake and hoist drum cable follower.

Make/Model		Main hoist Grove H015D-20	*Auxiliary hoist Grove H015D-20
Maximum single line speed	Bottom layer	274 FPM (84m/min)	147 FPM (45m/min)
	Intermediate layer	323 FPM (98m/min)	174 FPM (53m/min)
	Top layer	348 FPM (106m/min)	187 FPM (57m/min)
Maximum single line pull	Bottom layer	10,020 lbs. (4545 kg)	10,020 lbs. (4545 kg)
	Intermediate layer	8,485 lbs. (3849 kg)	8,485 lbs. (3849 kg)
	Top layer	7,879 lbs. (3574 kg)	7,879 lbs. (3574 kg)
Maximum permissible single line pull w/5:1 Strength Factor		9,080 lbs. (4119 kg)	9,080 lbs. (4119 kg)
Maximum rope stowage		451 ft. (137m) 5/8 in. (16mm)	451 ft. (137m) 5/8 in. (16mm)
Hoist options	Electronic hoist drum rotation indicators.		

†Patented Grove feature or patent pending.

*Denotes optional equipment.

Carrier specifications

Frame	High strength alloy steel all welded box-type construction with integral outrigger housings and front/rear lifting, towing and tie down lugs.
Outrigger System	Hydraulic single stage double box telescopic beam and 'inverted' jack outriggers with integral holding valves. All steel fabricated quick release type outrigger floats. 16 1/2" (429mm) square.
Outrigger Controls	Located in cab on front dash panel requires two hand operation. Crane level indicator located in cab.
Engine	Cummins 6BT 5.9L six cylinder turbo-charged water cooled diesel - 5.9 liters, 125 bhp (93 kw) (Gross) at 2,800 RPM. Maximum torque 325 ft. lbs. (45 kg/m) @ 1,700 RPM.
Optional Engine	Deutz F6L912 six cylinder naturally aspirated air cooled diesel - 5.7 liters, 121 bhp (90 kw) (Gross) @ 2,650 RPM. Maximum torque 265 ft. lbs. (37 kg/m) @ 1,500 RPM.
Fuel Tank Capacity	60 gallons (227 liters)
Electrical System	Two 12 volt - maintenance free batteries, 625 CCA @ 0°F. 24 volt starting.
Drive	4 x 4.
Steering	Fully independent power steering: Front: Full hydraulic controlled by steering wheel. Rear: Full hydraulic hand lever controlled. Provides infinite variations of 4 main steering modes - front only, rear only, crab and coordinated. *Optional rear wheel steer indicator.
Transmission	Remote mounted powershift with 6 speeds forward and 6 reverse, 3 in high range, 3 in low range. Rear axle disconnect for 4 x 2 travel.
Axes	Front: Drive-steer with differential and planetary reduction hubs, rigid mounted to the chassis. Rear: Drive-steer with differential and planetary reduction hubs, pivot mounted at center of chassis frame, providing up to 12" of oscillation (305mm). Optional: *No-spin differential on rear axle.
Oscillation Lockouts	Automatic full hydraulic lockouts on rear axle permits oscillation only with boom centered over the front. *Optional oscillation lockout override control.

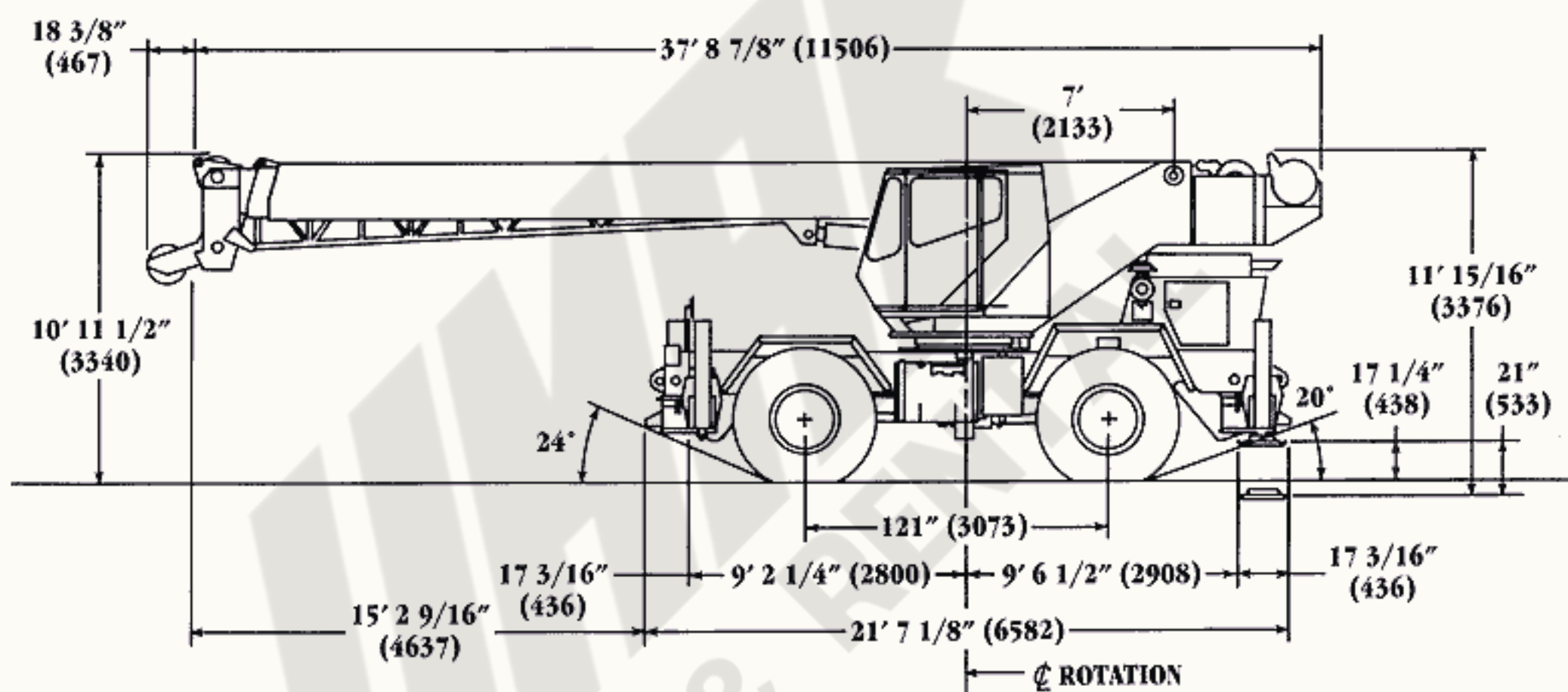
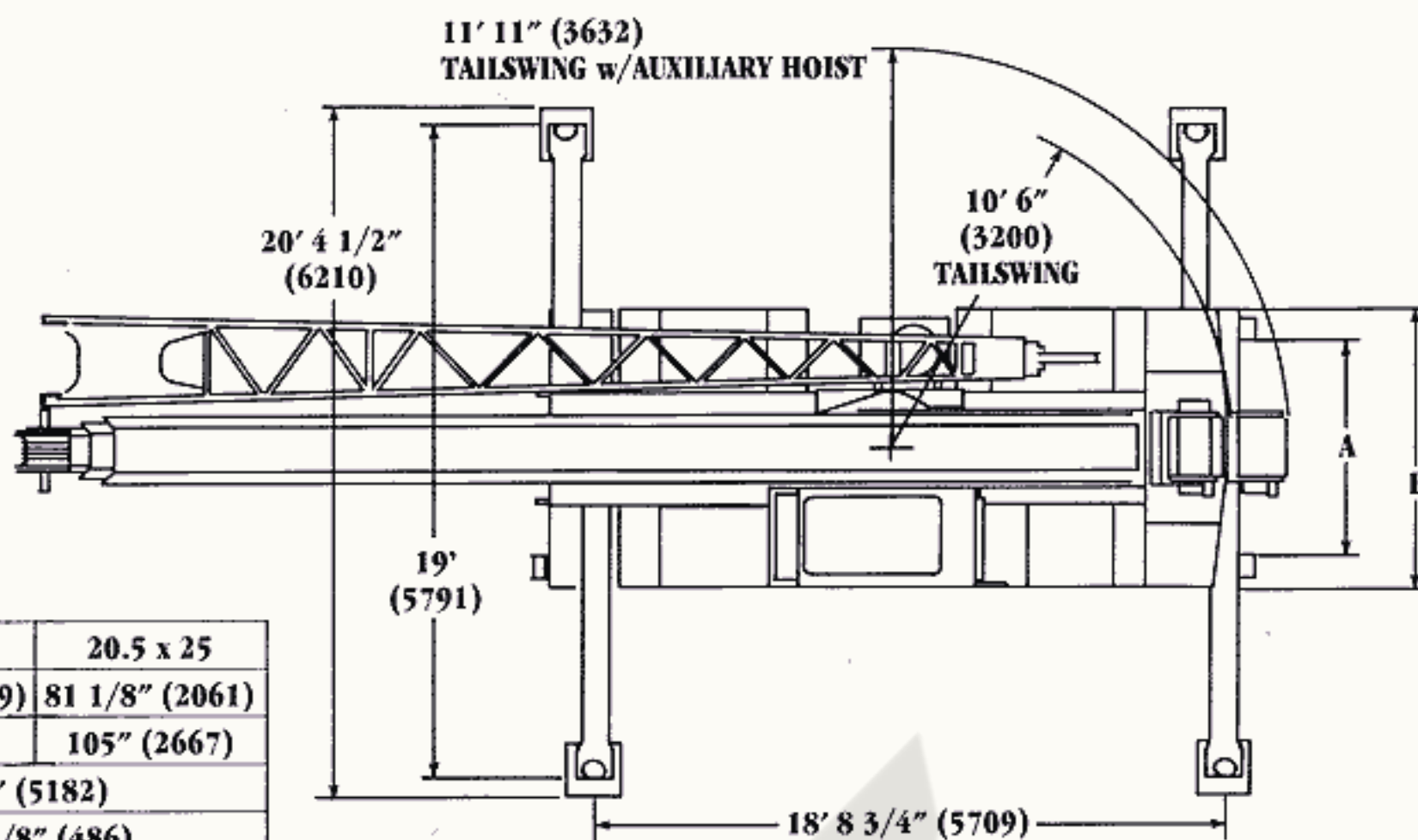
Tires	Std. 20.5 x 25 - 24 P.R. Earthmover type, tubeless; or *16.00 x 25 - 28 P.R. Earthmover type, tubeless.
Brakes	Dual braking system, air over hydraulic operating on all wheels. Spring-applied, air released front axle mounted parking brake.
Lights	Full lighting package including turn indicators, head, tail, brake and hazard warning lights.
Maximum Speed	21.8 MPH (35 kph)
Maximum Gradeability	98.8% Theoretical based on 54,070 lb. (24,526 kg) GVW, 20.5 x 25 tires, pumps disengaged, 80 ft. (24.4m) boom plus 30 ft. (9.3m) swingaway.
Gross Vehicle Weight & Axle Loads	BASIC STANDARD MACHINE Front 26,785 lbs. (12,150 kgs) Rear 26,885 lbs. (12,195 kgs) G.V.W. 53,670 lbs. (24,345 kgs)
Miscellaneous Standard Equipment	Full width steel fenders, dual rear view mirrors, hookblock tiedown sling, electronic back-up alarm, light package, front stowage well.
Optional Equipment	<ul style="list-style-type: none"> * Auxiliary hoist * Worklights * 360° Rotating beacon * Cab spotlight * Tachometer * Cold start aid, (less canister) * Engine block heater * Electric skylight wiper * Hookblocks * Tow winch (front mounted-maximum single line pull - 15,000 lbs. (6804 kg); maximum speed - 75 ft/min) * Spare wheel assembly * Tire inflation kit * Tool kit * Pintle hook front/rear * High Speed Glide (boom suspension system) * Opening Skylight * Diesel Heater/Propane Heater/Defroster

†Patented Grove feature or patent pending.
 *Denotes optional equipment.

Dimensions

RT600B Series

TIRE SIZE	16.00 x 25	20.5 x 25
A (TRACK)	77 1/2" (1969)	81 1/8" (2061)
B (OAW)	96" (2438)	105" (2667)
Turning Radius	17' (5182)	
Ground Clearance	19 1/8" (486)	



Grove Worldwide - World Headquarters
1565 Buchanan Trail East
Shady Grove, Pennsylvania 17256
Phone: (717) 597-8121 Telex: 1842308 Fax: (717) 597-4062

Grove North America
P.O. Box 21, Shady Grove, Pennsylvania 17256
Western Hemisphere, Asia/Pacific
Phone: (717) 597-8121 Telex: 1842308 Fax: (717) 597-4062

Grove Europe*
Sunderland, England SR4 6TT
Europe, Africa, Middle East, Near East
Phone: (091) 565-6281 Telex: 53484 CRANES G Fax: (091) 564-0442

* Grove Coles Limited, Registered in England, Number 1845128, Registered office, Crown Works, Pallion, Sunderland, Tyne & Wear, England SR4 6TT.

Constant improvement and engineering progress make it necessary that we reserve the right to make specification, equipment, and price changes without notice. Illustrations shown may include optional equipment and accessories and may not include all standard equipment.

Distributed By: