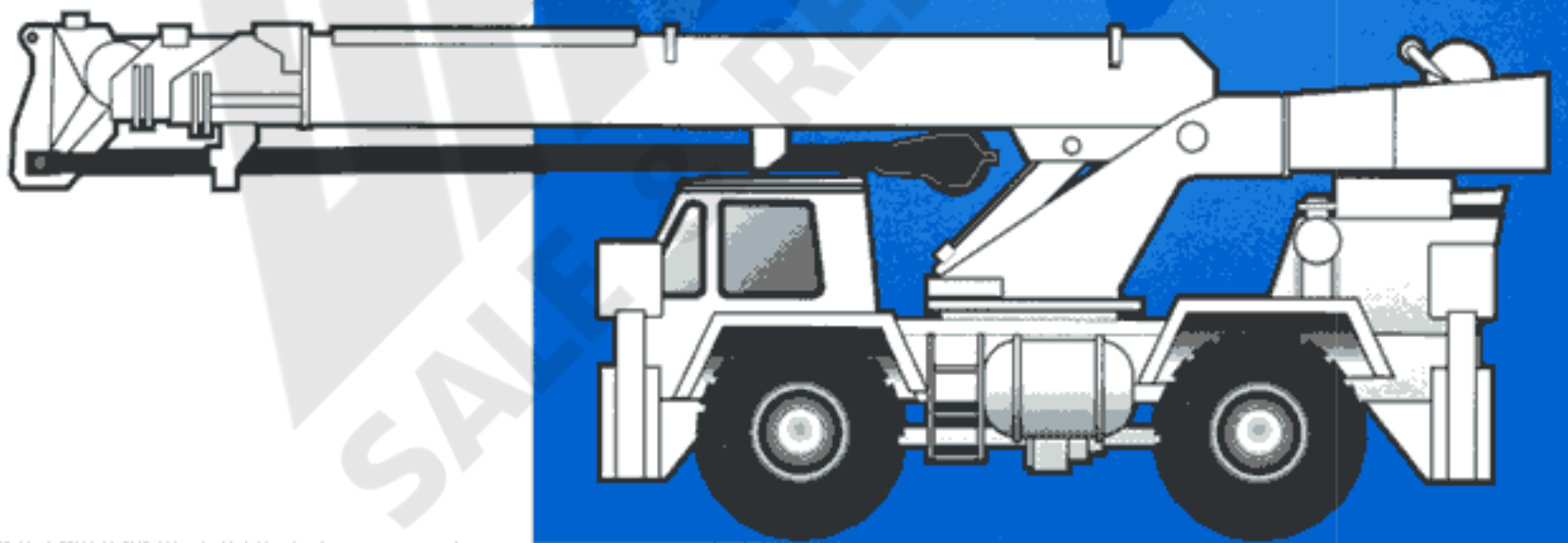




GROVE[®]
CRANE

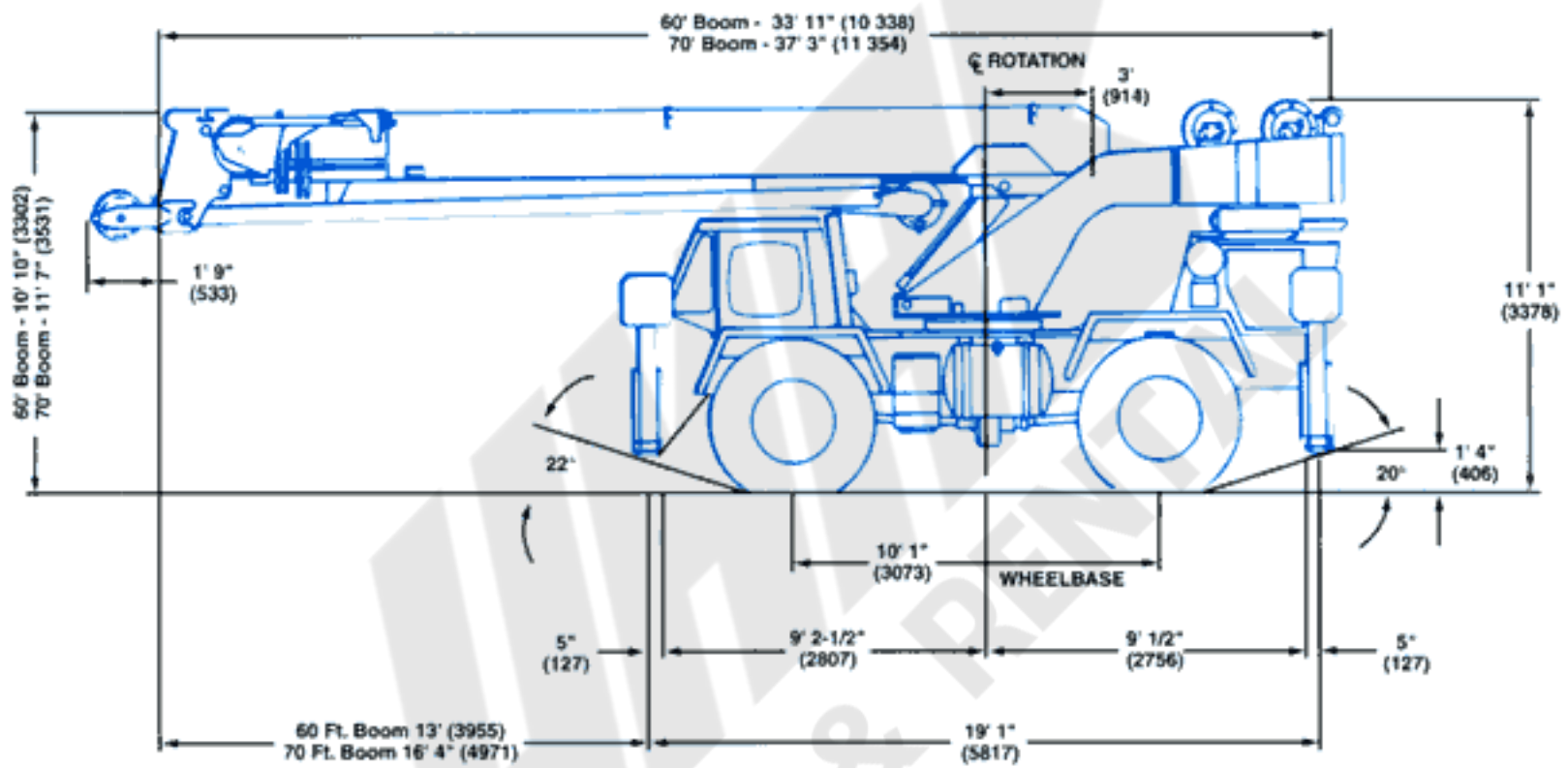
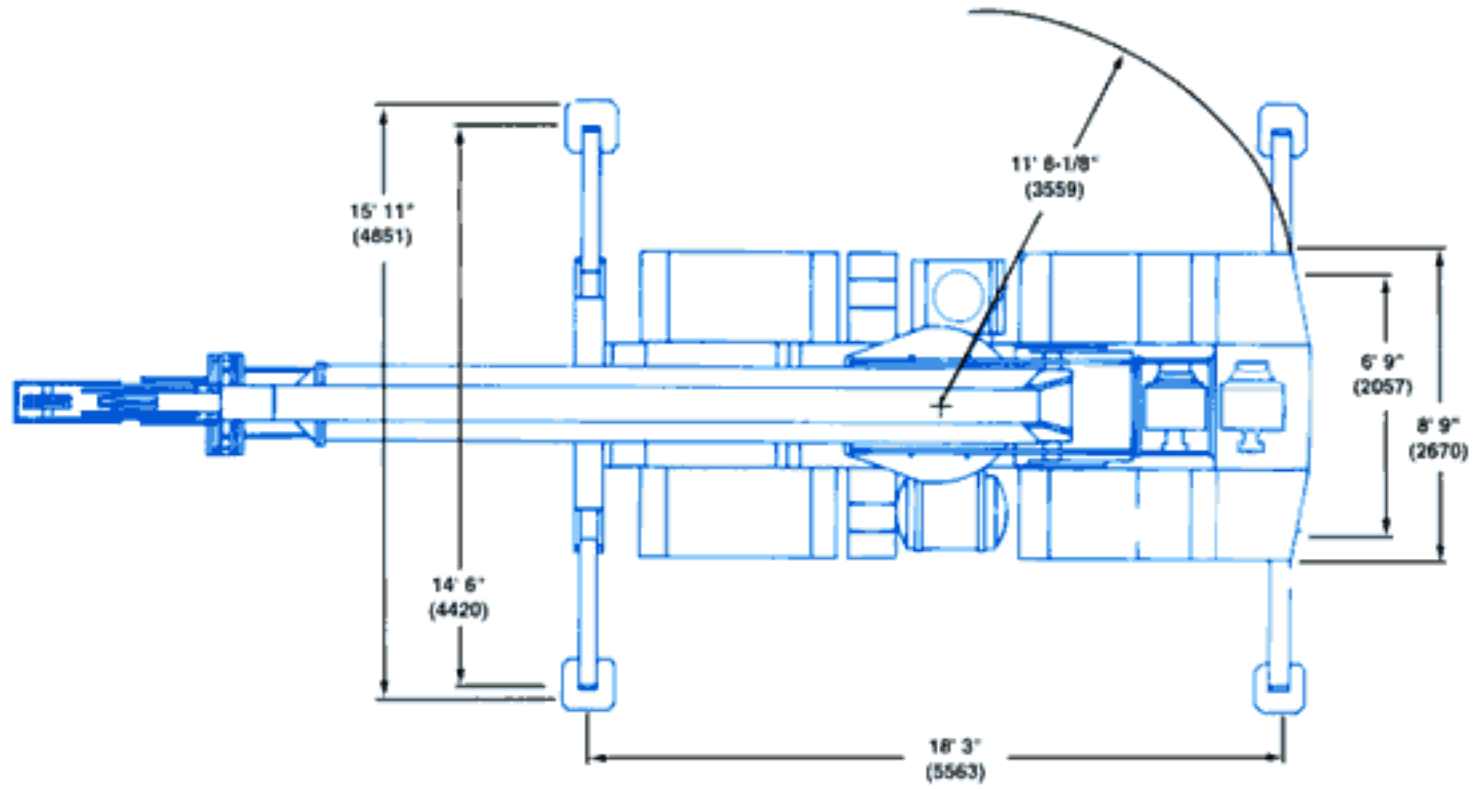
A GROVE WORLDWIDE COMPANY

RT58E



Rough Terrain Hydraulic Crane

Dimensions



Note: () Reference dimensions in mm

- Turning Radius** 16' 3" (4940 mm)
- Front Axle Load** 18,811 lbs. (8533 kg)
- Rear Axle Load** 28,666 lbs. (13 003 kg)
- Gross Vehicle Weight** 47,477 lbs. (21 536 kg)

Working Range



25 - 60 ft.
(7.6 - 18.3 m)



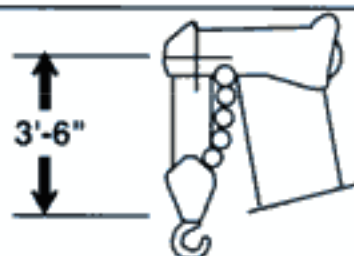
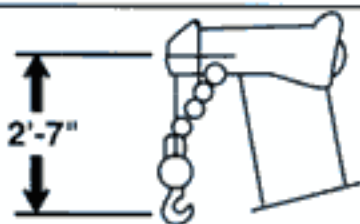
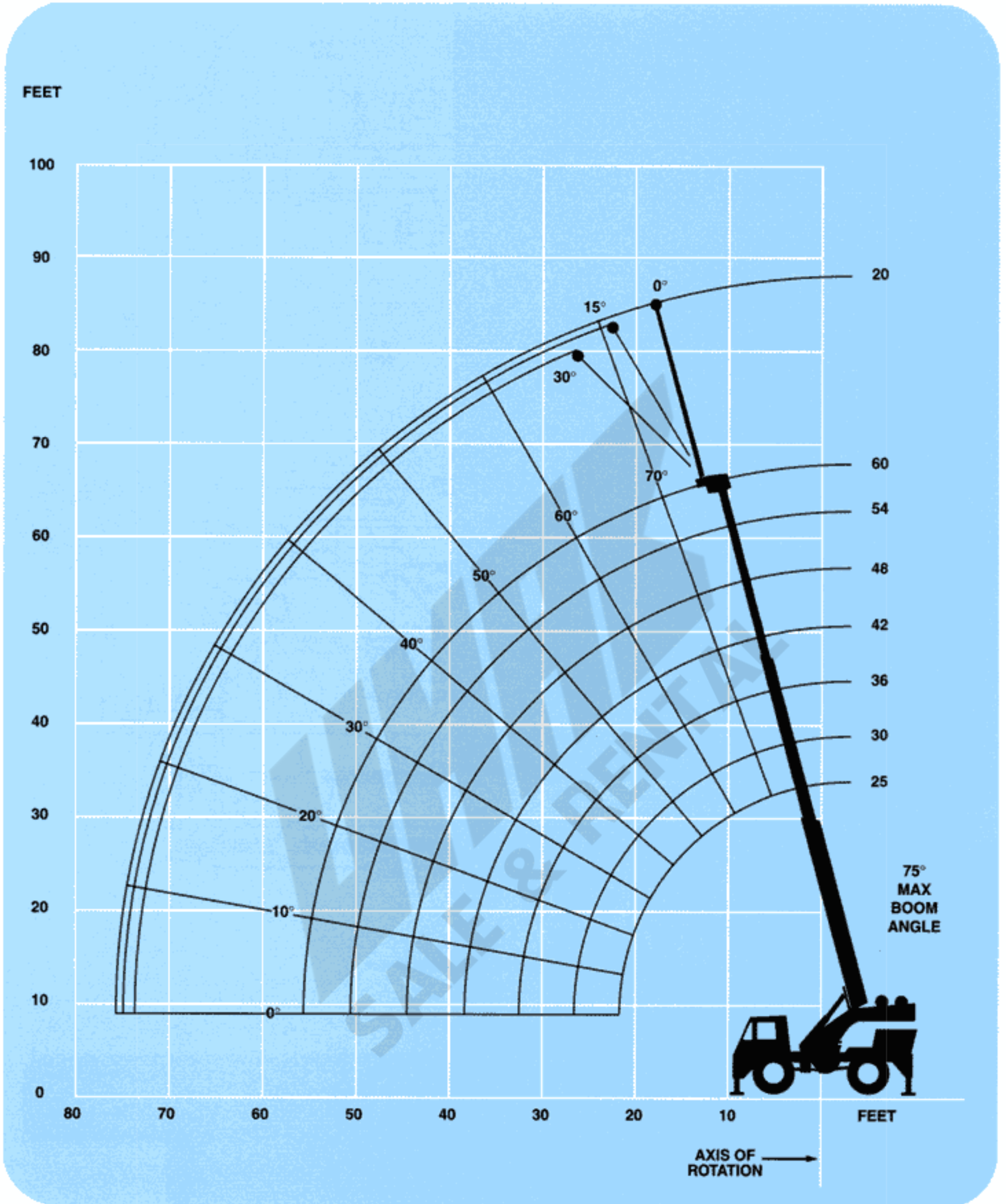
20 ft.
(6.1 m)



100%



360°



DIMENSIONS ARE FOR LARGEST GROVE FURNISHED HOOKBLOCK AND HEADACHE BALL, WITH ANTI-TWO BLOCK ACTIVATED.

Superstructure specifications

Boom

25 ft. - 60 ft. (7.6 m - 18.3 m) three-section full power boom. Maximum Tip Height: 66 ft. (20.1 m).

*Optional Jib (60 ft. Boom)

20 ft. (6.1 m) "A frame" jib offsettable at 0°, 15° or 30°. Stows beneath base boom section. Maximum Tip Height: 85 ft. (25.9 m).

*Optional Boom

28 ft.- 70 ft. (8.6 m - 21.3 m) three-section full power boom. Maximum Tip Height: 76 ft. (23.2 m).

*Optional Jib (70 ft. Boom)

23 ft. (7.0 m) "A frame" jib offsettable at 0°, 15° or 30°. Stows beneath base boom section. Maximum Tip Height: 98 ft. (29.9 m).

Boom Nose

Three steel sheaves mounted on heavy duty tapered roller bearings with removable pin-type rope guards. *Optional removable auxiliary boom nose with removable pin type rope guard.

Boom Elevation

Two double acting hydraulic cylinders with integral holding valve provides elevation from 0° to 75°.

Load Moment & Anti-Two Block System

Standard load moment and anti-two block system with audio-visual warning and control lever lockout. These systems provide electronic display of boom angle, length, radius, tip height, relative load moment, maximum permissible load, load indication and warning of impending two-block condition.

Swing

Ball bearing swing circle with 360° continuous rotation. Grove planetary drive with automatic multi-disc swing brake and plunger type mechanical house lock. Maximum speed: 2.9 RPM.

Counterweight

Bolted to turntable mast.

60 ft. (18.3 m) Boom:

With main only: 9,820 lbs. (4454 kg)

With main & aux.: 9,420 lbs (4273 kg)

70 ft. (21.2 m) Boom:

With main only: 11,220 lbs. (5089 kg)

With main & aux.: 10,720 lbs (4862 kg)

Hydraulic System

Three main pumps with a combined capacity 112.5 GPM (426 LPM). Driven by carrier engine through P.T.O. Maximum operating pressure: 2500 PSI (172 BAR).

*Optional pump disconnect with engine jogging switch.

Hoist Specifications

Main and *Auxiliary Hoist

Power up and down equal speed, grooved drum, planetary reduction with automatic brake and hoist cable followers. Electronic hoist drum rotation indicators and wire rope.

Maximum Single Line Pull: 9,640 lbs. (4372 kg)

Maximum Single Line Speed: 429 FPM (131 m/min)

Maximum Permissible Line Pull: 8,496 lbs. (3853 kg)

Rope Diameter: 5/8 in. (16 mm)

Rope Length: 350 ft. (106 m)

Maximum Rope Stowage: 486 ft. (148 m)

Carrier specifications

Chassis

Steel all welded box-type construction. Integral outrigger housings and front/rear towing and tie down lugs.

Outrigger System

Cantilever arm type at all four corners with integral check valves on each extension cylinder. Integral all steel outrigger float pads 16.5 in. (419 mm) square. Maximum outrigger pad load: 39,103 lbs. (17 737 kg).

Outrigger Controls

Controls and crane level indicator located in cab.

Cab

Full vision, all steel fabricated frame mounted with tinted safety glass throughout. Deluxe adjustable seat. Dash mounted control levers, gauges for engine functions. Other standard features include: sliding side doors, electric windshield wash-wipe, circulating air fan, dome light, fire extinguisher, seat belt.

Engine

Cummins BT5.9L six cylinders, turbocharged, water cooled diesel, 130 bhp (97 kW) (Gross) @ 2,500 RPM. Maximum torque: 386 ft. lbs. (523 Nm) @ 1,400 RPM.

Fuel Tank Capacity

60 gallons (227 L)

Transmission

Remote mounted powershift with 6 forward and 6 reverse speeds, 3 in high range, 3 in low range. Rear axle disconnect for 4 x 2 travel.

Electrical System

Two 12 V - maintenance free batteries. 625 CCA@ 0°F 12 V starting.

Drive

4 x 4 or 4 x 2.

Steering

Fully independent power steering:

Front: Full hydraulic steering wheel controlled.

Rear: Full hydraulic tiller bar controlled.

Provides infinite variations of 4 main steering modes: front only, rear only, crab and coordinated.

Rear steer alignment indicator.

Axles

Front: Drive steer with differential and planetary reduction hubs rigid mounted to chassis.

Rear: Drive/steer with differential and planetary reduction hubs pivot mounted at center of chassis, providing up to 10 in. (254 mm) oscillation. *No-spin differential on rear axle.

Oscillation Lockouts

Automatic full hydraulic lockouts on rear axle permits oscillation only with boom centered over the front.

*Oscillation lockout override control.

Tires

Std. 20.5 x 25 - 24PR earthmover type, tubeless.

Lights

Full lighting including turn indicators, head, tail, brake, and hazard warning lights.

Maximum Speed

24 MPH (38.0 kph).

Gradeability (Theoretical)

96.7% (Theoretical based on 49,000 lbs. [22 226 kg] GVW)

Miscellaneous Standard Equipment

Full width steel fenders, electronic back-up alarm, light package, hourmeter, fire extinguisher, seat belts, air cleaner service indicator.

*Optional Equipment

*Auxiliary hoist w/wire rope

*Boom mounted worklights

*360° flashing light

*Spotlights

*Hot water heater

*Hookblock/Headache ball

*Tow winch - front mounted maximum pull: 15,000 lbs. (6804 kg); maximum speed: 72 ft/min. (22 m/min).

*Spare wheel

*Tool kit

*LMI light bar

*Cold start aid (less canister)

*Tachometer

*A/V warning system, low oil pressure, high water temperature.

*360° positive swing lock

*Integral toolboxes

**Denotes optional equipment*



25 - 60 ft.
(7.6 - 18.3 m)



100%



360°



Pounds

(Feet)	25	30	36	42	48	54	60
10	44,000 (60)	36,000 (66)	36,000 (70.5)	36,000 (74)			
12	34,500 (54.5)	34,500 (62)	34,500 (67.5)	34,500 (71)	34,500 (74)		
15	28,000 (45)	28,000 (55)	28,000 (62)	28,000 (66.5)	28,000 (70)	28,000 (73)	25,000 (75.5)
20	20,800 (23.5)	20,800 (41.5)	20,800 (52)	20,800 (59)	20,800 (63.5)	20,800 (67.5)	20,800 (70.5)
25		16,150 (23)	16,150 (41)	16,150 (50.5)	16,150 (56.5)	16,150 (61.5)	16,150 (65)
30			12,050 (25.5)	12,050 (40.5)	12,050 (49)	12,050 (55)	12,050 (59.5)
35				9,380 (27.5)	9,380 (40)	9,380 (48)	9,380 (53.5)
40					7,510 (28.5)	7,510 (40)	7,510 (47)
45						6,130 (30)	6,130 (39.5)
50						5,060 (13.5)	5,060 (30)
55							4,220 (16.5)

Minimum boom angle (degrees) for indicated length (no load)

0

Maximum boom length (ft.) at 0 degree boom angle (no load)

60

Note: () Boom angles are in degrees.

A6-829-007426 & -003404E

Boom Angle	25	30	36	42	48	54	60
0°	15,150 (21.8)	12,000 (27)	9,530 (33)	7,770 (39)	6,131 (45)	4,887 (51)	3,990 (56.6)

A6-829-010152



25 - 60 ft.
(7.6 - 18.3 m)

100%

Over Front

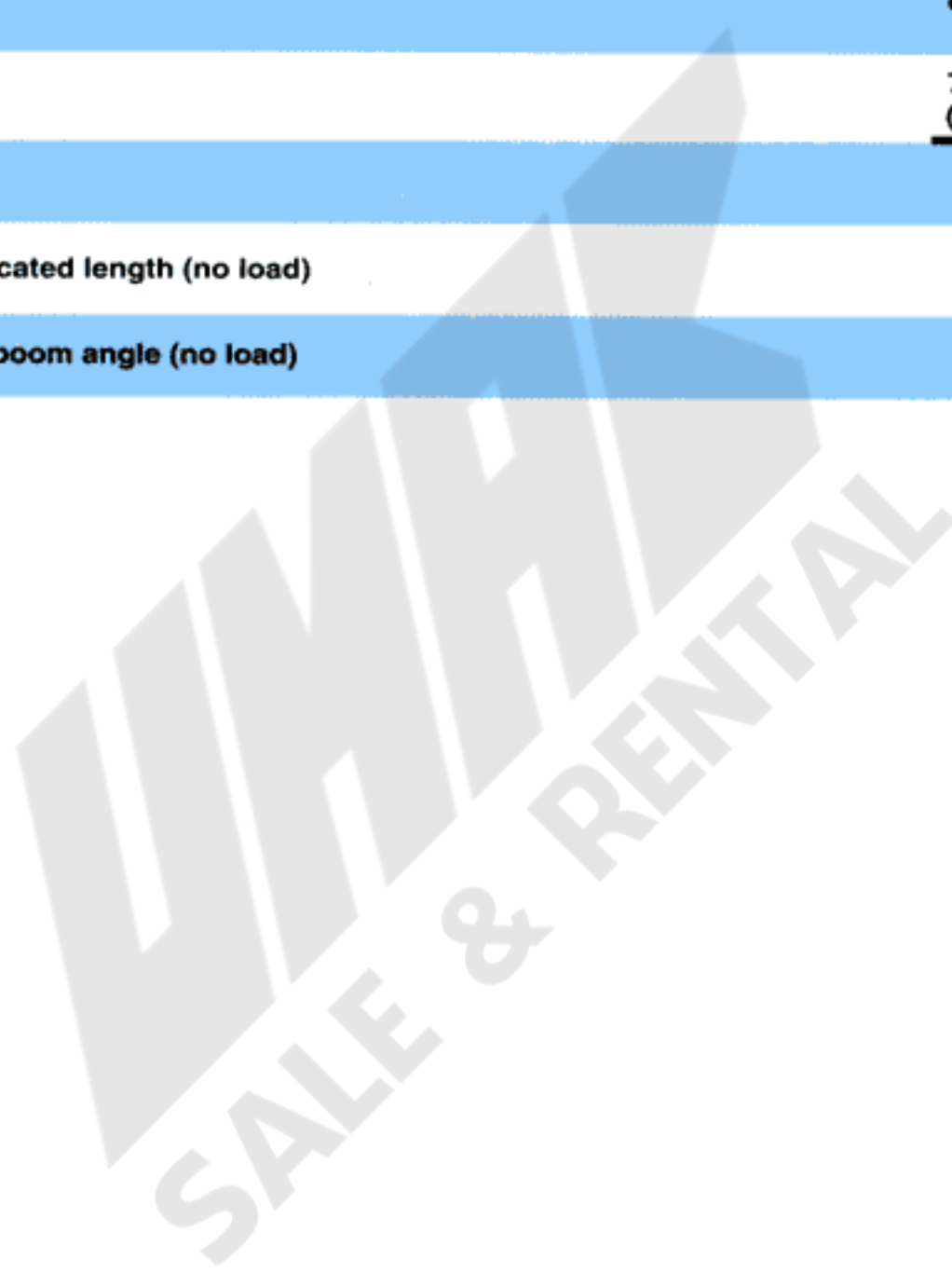


Pounds

(Feet)	25	30	36	42	48	54	60
10	44,000 (60)	36,000 (66)	36,000 (70.5)	36,000 (74)			
12	34,500 (54.5)	34,500 (62)	34,500 (67.5)	34,500 (71)	34,500 (74)		
15	28,000 (45)	28,000 (55)	28,000 (62)	28,000 (66.5)	28,000 (70)	28,000 (73)	25,000 (75.5)
20	22,200 (23.5)	22,200 (41.5)	22,200 (52)	22,200 (59)	22,200 (63.5)	22,200 (67.5)	21,500 (70.5)
25		17,400 (23)	17,400 (41)	17,400 (50.5)	17,400 (56.5)	17,400 (61.5)	17,400 (65)
30			14,100 (25.5)	14,100 (40.5)	14,100 (49)	14,100 (55)	14,100 (59.5)
35				11,700 (27.5)	11,700 (40)	11,700 (48)	11,700 (53.5)
40					9,900 (28.5)	9,900 (40)	9,900 (47)
45						8,310 (30)	8,310 (39.5)
50						7,240 (13.5)	7,240 (30)
55							6,220 (16.5)
Minimum boom angle (degrees) for indicated length (no load)							0
Maximum boom length (ft.) at 0 degree boom angle (no load)							60

Note: () Boom angles are in degrees.

A6-829-007419 & -003404E





25 - 60 ft.
(7.6 - 18.3 m)



20 ft.
(6.1 m)



100%



360°



Pounds

Boom Angle	0° OFFSET	15° OFFSET	30° OFFSET
75	9,500 (21.5)	6,100 (25.8)	4,200 (28.9)
70	8,400 (27.8)	5,450 (31.9)	3,870 (34.8)
65	7,140 (33.9)	4,850 (37.8)	3,660 (40.5)
60	6,230 (39.7)	4,400 (43.4)	3,500 (45.9)
55	5,320 (45.3)	4,150 (48.6)	3,330 (50.8)
50	4,380 (50.5)	3,900 (53.6)	3,200 (55.4)
45	3,680 (55.2)	3,560 (58.1)	3,080 (59.6)
40	3,250 (59.6)	3,130 (62.1)	2,980 (63.2)
35	2,900 (63.5)	2,760 (65.6)	2,760 (66.4)
30	2,600 (66.9)	2,500 (68.6)	2,500 (69.1)

NOTE: () Reference radii in feet.

A6-829-007454

WMA
SALE & RENTAL



25 - 60 ft.
(7.6 m - 18.3 m)

Stationary
20.5 X 25 - 24PR Tires

360°



Pounds

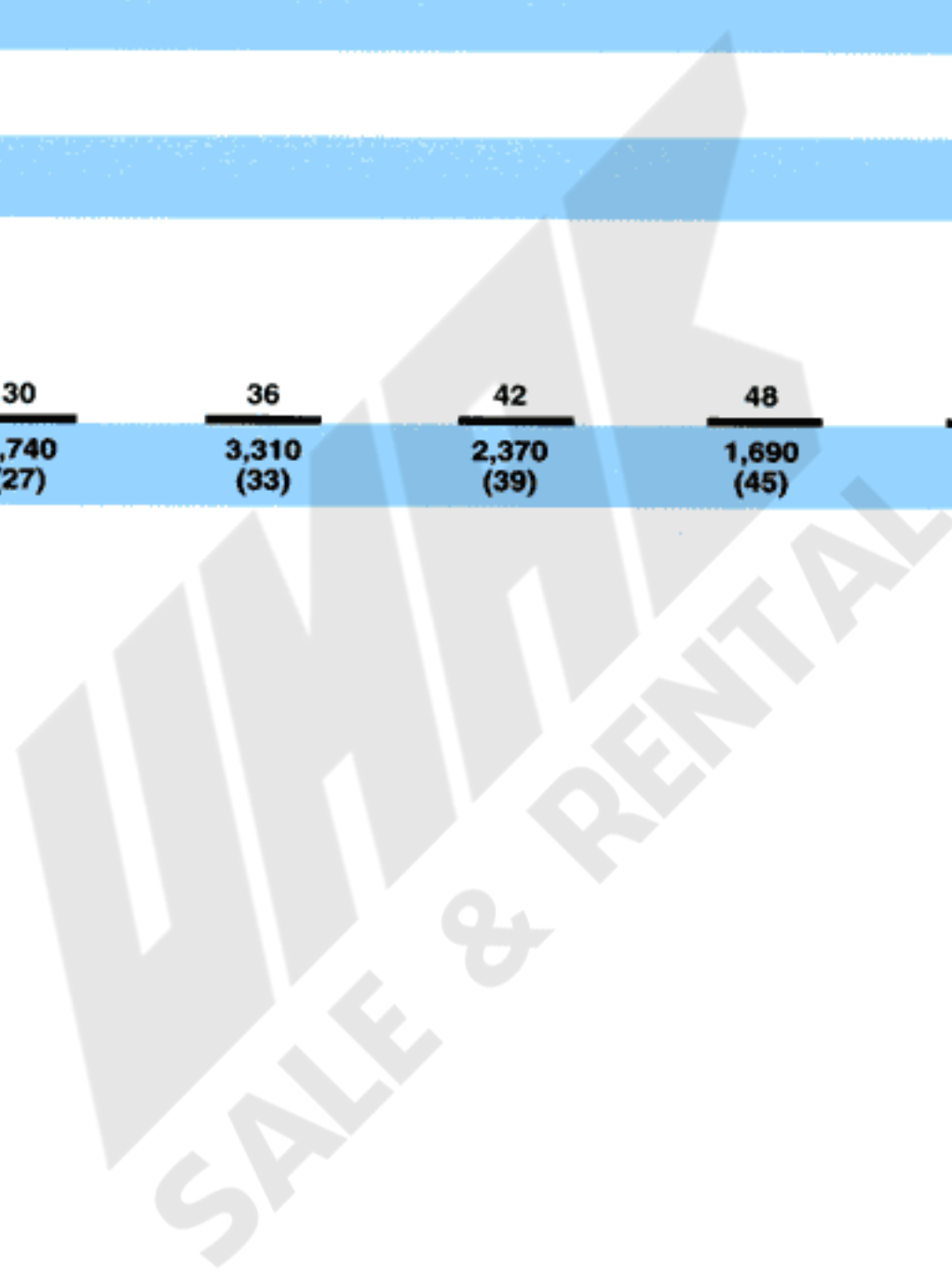
(Feet)	25	30	36	42	48	54	60
10	25,850 (60)						
12	19,150 (54.5)	13,300 (62)	13,300 (67.5)	13,300 (71)	13,300 (74)		
15	13,100 (45)	10,500 (55)	10,500 (62)	10,500 (66.5)	10,500 (70)	10,500 (73)	10,500 (75.5)
20	7,910 (23.5)	7,410 (41.5)	7,410 (52)	7,410 (59)	7,410 (63.5)	7,410 (67.5)	7,410 (70.5)
25		5,390 (23)	5,390 (41)	5,390 (50.5)	5,390 (56.5)	5,390 (61.5)	5,390 (65)
30			3,950 (25.5)	3,950 (40.5)	3,950 (49)	3,950 (55)	3,950 (59.5)
35				2,960 (27.5)	2,960 (40)	2,960 (48)	2,960 (53.5)
40					2,240 (28.5)	2,240 (40)	2,240 (47)
45						1,700 (30)	1,700 (39.5)
50						1,270 (13.5)	1,270 (30)
55							920 (16.5)

NOTE: () Boom angles are in degrees.

A6-829-010155

Boom Angle	25	30	36	42	48	54
0°	6,800 (21.8)	4,740 (27)	3,310 (33)	2,370 (39)	1,690 (45)	1,190 (51)

A6-829-010152





25 - 60 ft.
(7.6 - 18.3 m)



Stationary
20.5 X 25 - 24PR Tires



Defined Arc
Over Front
±6°



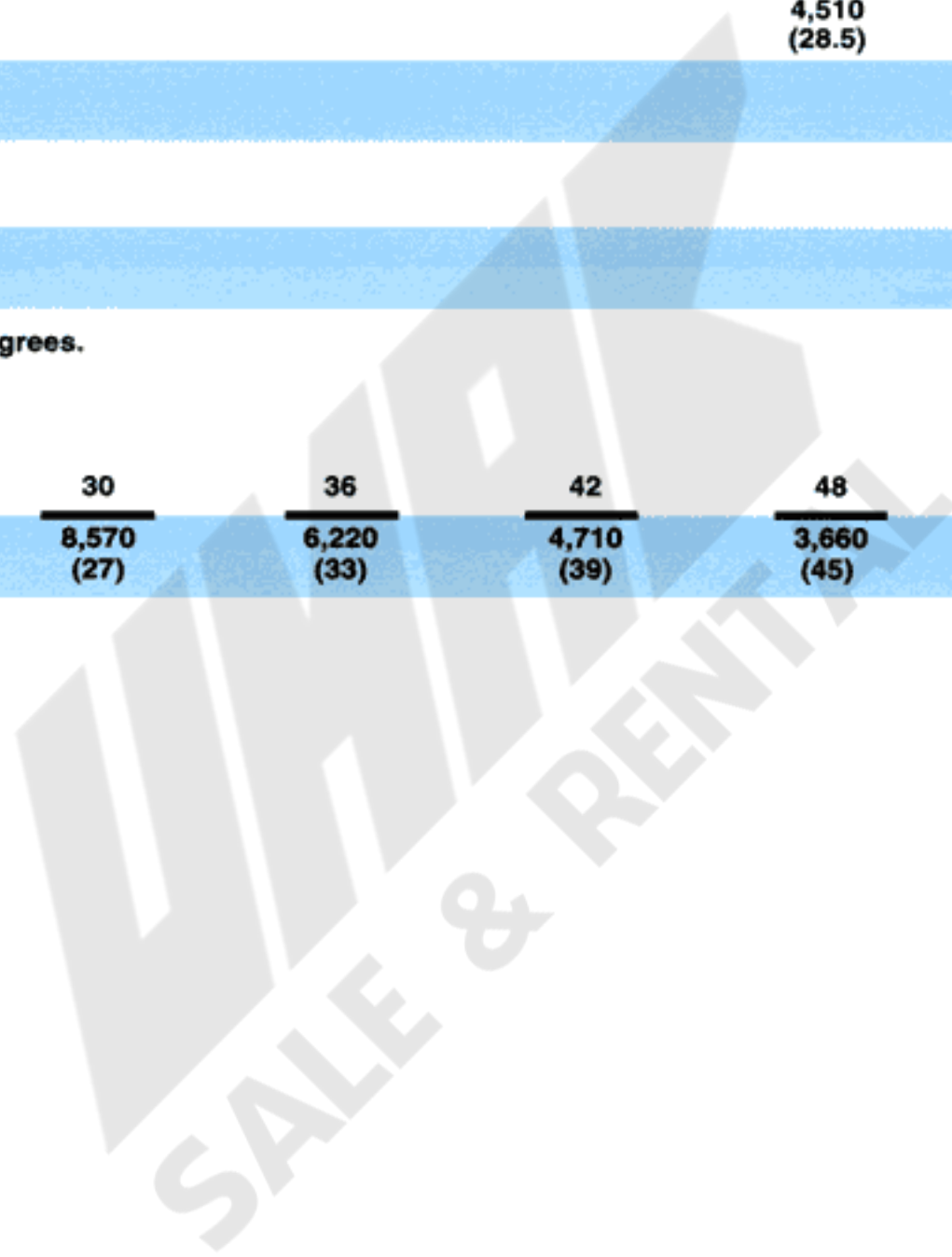
(Feet)	25	30	36	42	48	54	60
10	40,650 (60)						
12	33,200 (54.5)	18,600 (62)	18,600 (67.5)	18,600 (71)	18,600 (74)		
15	22,650 (45)	15,150 (55)	15,150 (62)	15,150 (66.5)	15,150 (70)	15,150 (73)	15,150 (75.5)
20	13,800 (23.5)	11,200 (41.5)	11,200 (52)	11,200 (59)	11,200 (63.5)	11,200 (67.5)	11,200 (70.5)
25		9,670 (23)	9,670 (41)	8,900 (50.5)	8,900 (56.5)	8,900 (61.5)	8,900 (65)
30			7,260 (25.5)	7,080 (40.5)	7,080 (49)	7,080 (55)	7,080 (59.5)
35				5,650 (27.5)	5,650 (40)	5,650 (48)	5,650 (53.5)
40					4,510 (28.5)	4,510 (40)	4,510 (47)
45						3,660 (30)	3,660 (39.5)
50						3,000 (13.5)	3,000 (30)
55							2,470 (16.5)

NOTE: () Boom angles are in degrees.

A6-829-010154

Boom Angle	25	30	36	42	48	54	60
0°	12,050 (21.8)	8,570 (27)	6,220 (33)	4,710 (39)	3,660 (45)	2,880 (51)	2,320 (56.6)

A6-829-010152





25 - 60 ft.
(7.6 m - 18.3 m)



Pick & carry
Up to 2.5 MPH
20.5 X 25 - 24PR Tires



Boom Centered
Over Front



Pounds

(Feet)	25	30	36	42	48	54	60
10	33,200 (60)						
12	28,700 (54.5)	18,050 (62)	18,050 (67.5)	18,050 (71)	18,050 (74)		
15	22,650 (45)	14,750 (55)	14,750 (62)	14,750 (66.5)	14,750 (70)	14,750 (73)	14,750 (75.5)
20	13,800 (23.5)	11,000 (41.5)	11,000 (52)	11,000 (59)	11,000 (63.5)	11,000 (67.5)	11,000 (70.5)
25		9,670 (23)	9,670 (41)	8,780 (50.5)	8,780 (56.5)	8,780 (61.5)	8,780 (65)
30			7,260 (25.5)	7,010 (40.5)	7,010 (49)	7,010 (55)	7,010 (59.5)
35				5,650 (27.5)	5,650 (40)	5,650 (48)	5,650 (53.5)
40					4,510 (28.5)	4,510 (40)	4,510 (47)
45						3,660 (30)	3,660 (39.5)
50						3,000 (13.5)	3,000 (30)
55							2,470 (16.5)

NOTE: () Boom angles are in degrees.

A6-829-010156

Boom Angle	25	30	36	42	48	54	60
0°	11,500 (21.8)	8,570 (27)	6,220 (33)	4,710 (39)	3,660 (45)	2,880 (51)	2,320 (56.6)

A6-829-010152

Front (No Load) Minimum boom angle (deg.) for indicated length	0
Front (No Load) Maximum boom length (ft.) at 0° boom angle	60
360° (No Load) Minimum boom angle (deg.) for indicated length	10
360° (No Load) Maximum boom length (ft.) at 0° boom angle	58

Working Range



28 - 70 ft.
(8.6 - 21.2 m)



23 ft.
(7.0 m)

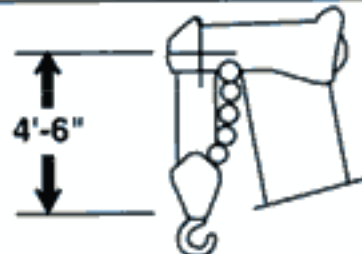
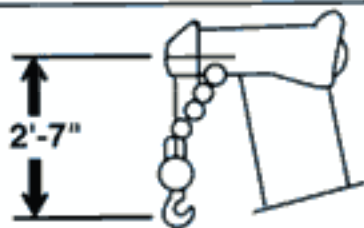
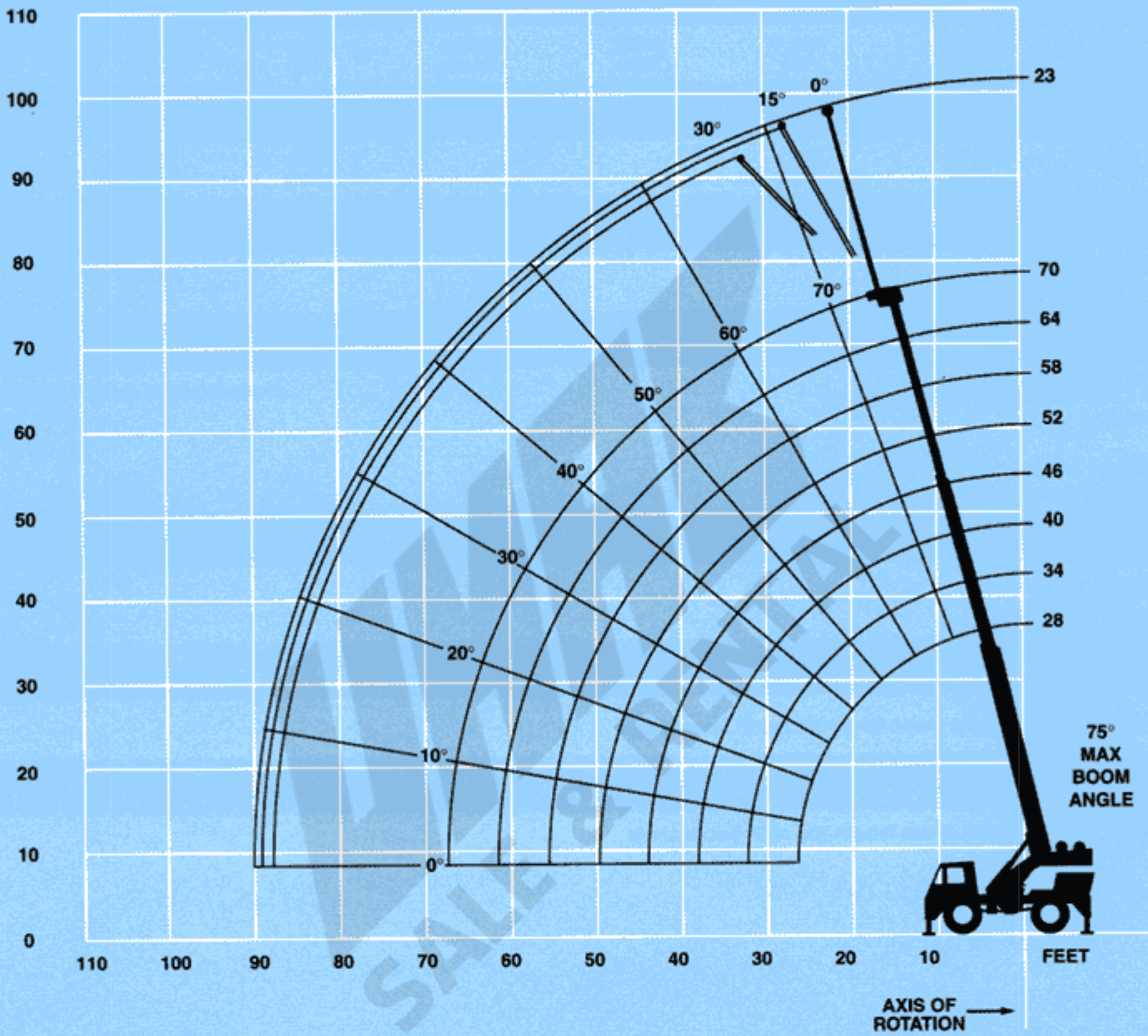


100%



360°

FEET



DIMENSIONS ARE FOR LARGEST GROVE FURNISHED HOOKBLOCK AND HEADACHE BALL, WITH ANTI-TWO BLOCK ACTIVATED.



28 - 70 ft.
(8.6 - 12.3 m)

100%

360°



Pounds

(Feet)	28	34	40	46	52	58	64	70
10	44,000 (64)	36,000 (69)	36,000 (73)					
12	35,000 (59.5)	35,000 (65.5)	35,000 (70)	35,000 (73)				
15	28,400 (51.5)	28,400 (59.5)	28,400 (65)	28,400 (69)	28,400 (72)	28,400 (74.5)		
20	21,100 (36.5)	21,100 (49)	21,100 (57)	21,100 (62)	21,100 (66)	21,100 (69.5)	21,100 (72)	20,500 (74)
25		16,800 (36)	16,800 (47.5)	16,800 (54.5)	16,800 (60)	16,800 (64)	16,800 (67)	16,800 (69.5)
30		12,300 (15.5)	12,300 (36.5)	12,300 (46.5)	12,300 (53)	12,300 (58)	12,300 (62)	12,300 (65)
35			9,460 (20)	9,460 (36.5)	9,460 (45.5)	9,460 (51.5)	9,460 (56.5)	9,460 (60)
40				7,460 (23)	7,460 (36.5)	7,460 (45)	7,460 (50.5)	7,460 (55)
45					5,990 (25)	5,990 (37)	5,990 (44.5)	5,990 (49.5)
50						4,870 (26.5)	4,870 (37)	4,870 (43.5)
55							3,980 (28)	3,980 (37)
60							3,260 (13)	3,260 (28.5)
65								2,660 (15.5)

Note: () Boom angles are in degrees.

Minimum boom angle (degrees) for indicated length (no load)

0

Maximum boom length (ft.) at 0 degree boom angle (no load)

70

A6-829-007384 & -003716H

Boom Angle	28	34	40	46	52	58	64	70
0°	14,910 (25.1)	11,600 (31)	8,590 (37)	6,530 (43)	5,070 (49)	3,980 (55)	3,130 (61)	2,490 (66.6)

A6-829-009575

SALE & RENTAL

THIS CHART IS ONLY A GUIDE AND SHOULD NOT BE USED TO OPERATE THE CRANE. The individual crane's load chart, operating instructions and other instructional plates must be read and understood prior to operating the crane.



28 - 70 ft.
(8.5 - 21.3 m)



100%



Over Front



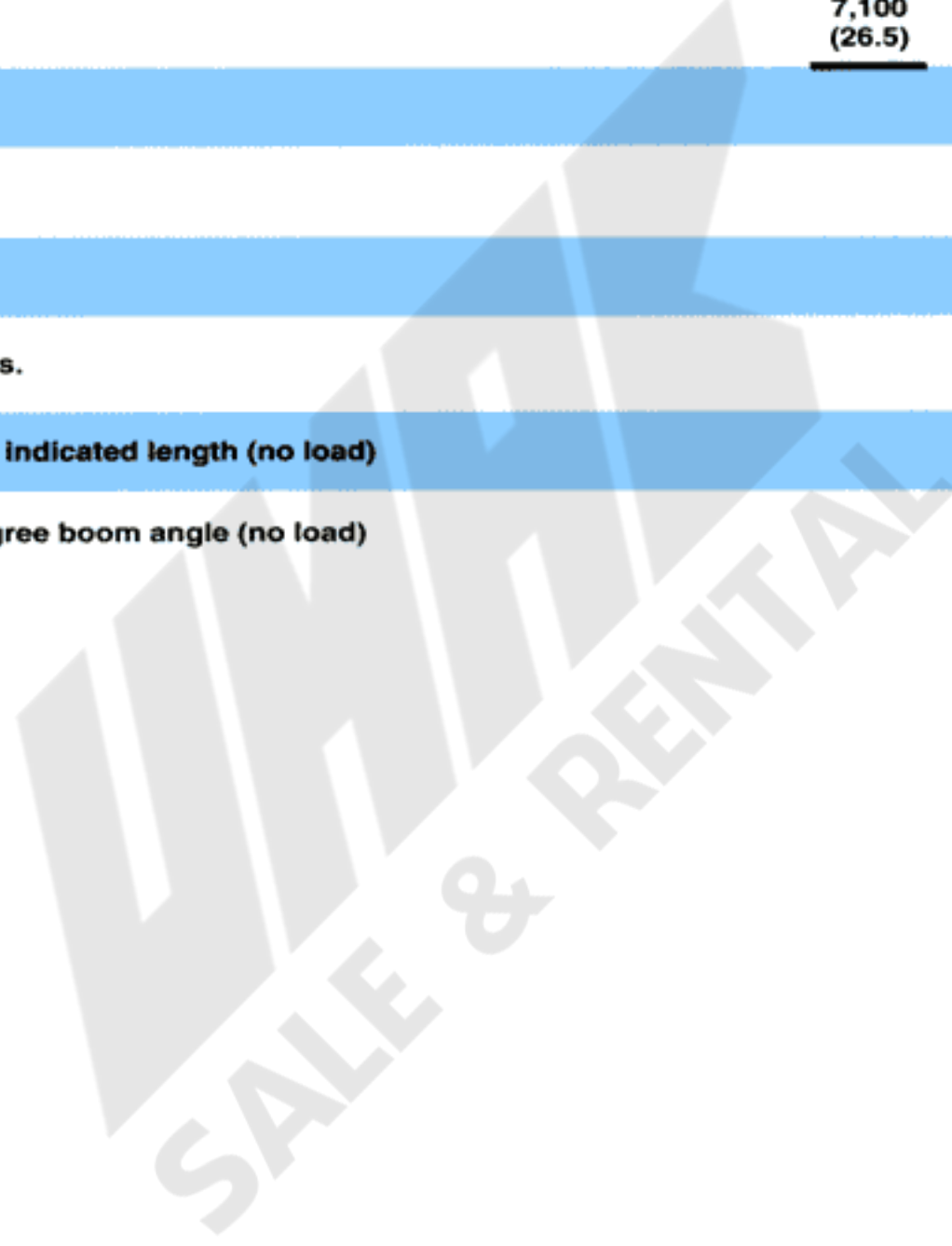
(Feet)	28	34	40	46	52	58	64	70
10	44,000 (64)	36,000 (69)	36,000 (73)					
12	35,000 (59.5)	35,000 (65.5)	35,000 (70)	35,000 (73)				
15	28,400 (51.5)	28,400 (59.5)	28,400 (65)	28,400 (69)	28,400 (72)	28,400 (74.5)		
20	21,100 (36.5)	21,100 (49)	21,100 (57)	21,100 (62)	21,100 (66)	21,100 (69.5)	21,100 (72)	20,500 (74)
25		17,200 (36)	17,200 (47.5)	17,200 (54.5)	17,200 (60)	17,200 (64)	17,200 (67)	17,200 (69.5)
30		14,050 (15.5)	14,050 (36.5)	14,050 (46.5)	14,050 (53)	14,050 (58)	14,050 (62)	14,050 (65)
35			11,650 (20)	11,650 (36.5)	11,650 (45.5)	11,650 (51.5)	11,650 (56.5)	11,650 (60)
40				9,760 (23)	9,760 (36.5)	9,760 (45)	9,760 (50.5)	9,760 (55)
45					8,280 (25)	8,280 (37)	8,280 (44.5)	8,280 (49.5)
50						7,100 (26.5)	7,100 (37)	7,100 (43.5)
55							5,970 (28)	5,970 (37)
60							5,170 (13)	5,170 (28.5)
65								4,400 (15.5)

Note: () Boom angles are in degrees.

Minimum boom angle (degrees) for indicated length (no load) 0

Maximum boom length (ft.) at 0 degree boom angle (no load) 70

A6-829-007377 & -003716H





28 - 70 ft.
(8.6 - 21.3 m)



23 ft.
(7.0 m)



100%



360°



Pounds

Boom Angle	0° OFFSET	15° OFFSET	30° OFFSET
75	12,000 (27)	7,700 (32.5)	5,070 (35.7)
70	8,860 (33.3)	7,000 (38.1)	4,800 (41.2)
65	6,230 (40.2)	5,830 (44.9)	4,500 (47.8)
60	4,770 (47)	4,630 (51.3)	4,010 (54)
55	3,730 (53.2)	3,660 (57.3)	3,290 (59.8)
50	3,070 (59.2)	2,900 (62.9)	2,700 (65.1)
45	2,520 (64.7)	2,430 (68)	2,300 (69.9)
40	2,040 (69.6)	1,970 (72.6)	1,950 (74.2)
35	1,730 (74)	1,680 (76.6)	1,680 (77.9)
30	1,490 (77.8)	1,460 (80.1)	1,440 (81.0)

NOTE: () Reference radii in feet.

A6-829-007413

WMA
SALE & RENTAL



28 - 70 ft.
(8.6 - 21.3 m)

Stationary
20.5 X 25 - 24PR Tires

360°



Pounds

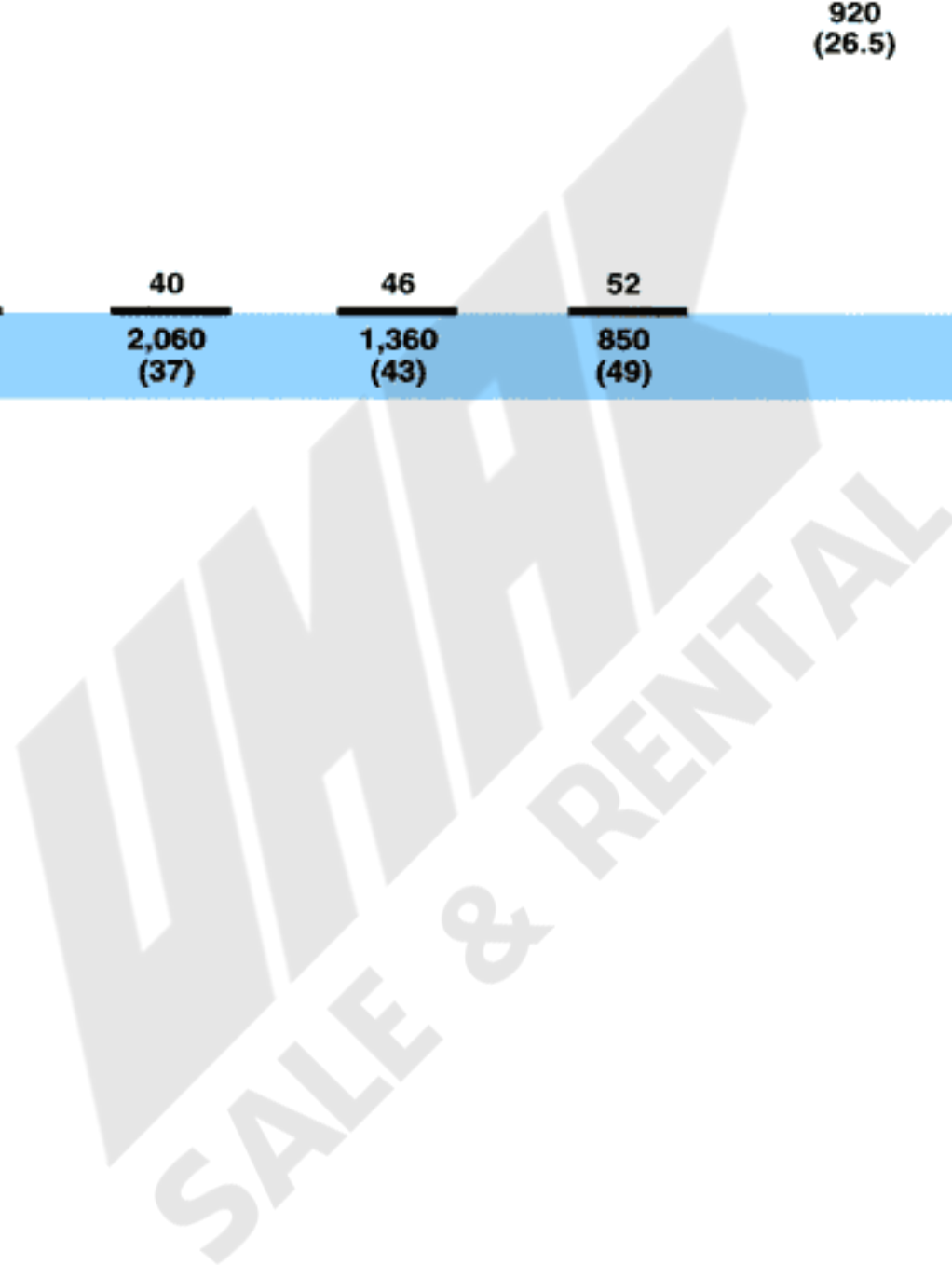
(Feet)	28	34	40	46	52	58	64	70
10	26,100 (64)							
12	19,250 (59.5)	19,250 (65.5)						
15	13,450 (51.5)	13,450 (59.5)	13,450 (65)	10,850 (69)	10,850 (72)			
20	8,400 (36.5)	8,400 (49)	8,400 (57)	8,400 (62)	7,660 (66)			
25		5,690 (36)	5,690 (47.5)	5,690 (54.5)	5,690 (60)	5,590 (64)		
30		3,820 (15.5)	3,820 (36.5)	3,820 (46.5)	3,820 (53)	3,820 (58)		
35			2,750 (20)	2,750 (36.5)	2,750 (45.5)	2,750 (51.5)	2,750 (56.5)	
40				1,980 (23)	1,980 (36.5)	1,980 (45)	1,980 (50.5)	1,980 (55)
45					1,380 (25)	1,380 (37)	1,380 (44.5)	1,380 (49.5)
50						920 (26.5)	920 (37)	920 (43.5)

NOTE: () Boom angles are in degrees.

A6-829-009326

Boom Angle	28	34	40	46	52
0°	4,800 (25.1)	3,010 (31)	2,060 (37)	1,360 (43)	850 (49)

A6-829-009575





28 - 70 ft.
(8.6 m - 21.3 m)



Stationary
20.5 X 25 - 24PR Tires



Defined Arc
Over Front
±6°



Pounds

(Feet)	28	34	40	46	52	58	64	70
10	34,950 (64)							
12	29,800 (59.5)	24,150 (65.5)						
15	24,150 (51.5)	24,150 (59.5)	17,500 (65)	16,200 (69)	16,200 (72)			
20	15,450 (36.5)	15,450 (49)	15,450 (57)	12,000 (62)	12,000 (66)			
25		10,300 (36)	10,300 (47.5)	10,300 (54.5)	9,300 (60)	9,300 (64)		
30		7,450 (15.5)	7,450 (36.5)	7,450 (46.5)	7,450 (53)	7,370 (58)	7,370 (62)	
35			5,700 (20)	5,700 (36.5)	5,700 (45.5)	5,700 (51.5)	5,700 (56.5)	
40				4,450 (23)	4,450 (36.5)	4,450 (45)	4,450 (50.5)	4,450 (55)
45					3,520 (25)	3,520 (37)	3,520 (44.5)	3,520 (49.5)
50						2,800 (26.5)	2,800 (37)	2,800 (43.5)
55							2,220 (28)	2,220 (37)
60							1,740 (13)	1,740 (28.5)
65								1,350 (15.5)

NOTE: () Boom angles are in degrees.

A6-829-009325

Boom Angle	28	34	40	46	52	58	64	70
0°	10,250 (25.1)	7,020 (31)	5,160 (37)	3,860 (43)	2,930 (49)	2,220 (55)	1,660 (61)	1,240 (66.6)

A6-829-009575



28 - 70 ft.
(8.6 - 21.3 m)



Pick & carry
Up to 2.5 MPH
20.5 X 25 - 24PR Tires



Boom Centered
Over Front



(Feet)	28	34	40	46	52	58	64	70
10	34,800 (64)							
12	29,900 (59.5)							
15	24,400 (51.5)	24,400 (59.5)	17,500 (65)	15,750 (69)				
20	15,450 (36.5)	15,450 (49)	15,450 (57)	11,750 (62)	11,750 (66)			
25		9,580 (36)	9,580 (47.5)	9,100 (54.5)	9,100 (60)	9,100 (64)		
30		7,450 (15.5)	7,450 (36.5)	7,450 (46.5)	7,230 (53)	7,230 (58)	7,230 (62)	
35			5,700 (20)	5,700 (36.5)	5,700 (45.5)	5,700 (51.5)	5,700 (56.5)	
40				4,450 (23)	4,450 (36.5)	4,450 (45)	4,450 (50.5)	
45					3,520 (25)	3,520 (37)	3,520 (44.5)	
50						2,800 (26.5)	2,800 (37)	
55							2,220 (28)	
60							1,740 (13)	1,740 (28.5)
65								1,350 (15.5)

Note: () Boom angles are in degrees.

A6-829-009327

Boom Angle	28	34	40	46	52	58	64	70
0°	9,550 (25.1)	7,020 (31)	5,160 (37)	3,860 (43)	2,930 (49)	2,220 (55)	1,660 (61)	1,240 (66.6)

A6-829-009575

Front (No Load) Minimum boom angle (deg.) for indicated length	0
Front (No Load) Maximum boom length (ft.) at 0° boom angle	70
360° (No Load) Minimum boom angle (deg.) for indicated length	35
360° (No Load) Maximum boom length (ft.) at 0° boom angle	55

WEIGHT REDUCTIONS FOR LOAD HANDLING DEVICES

20 FT. A-FRAME JIB WITH 25' - 60' BOOM

*Stowed -	248 lbs.
*Erected -	1,375 lbs.

*Reduction of main boom capacities

23 FT. A-FRAME JIB WITH 28' - 70' BOOM

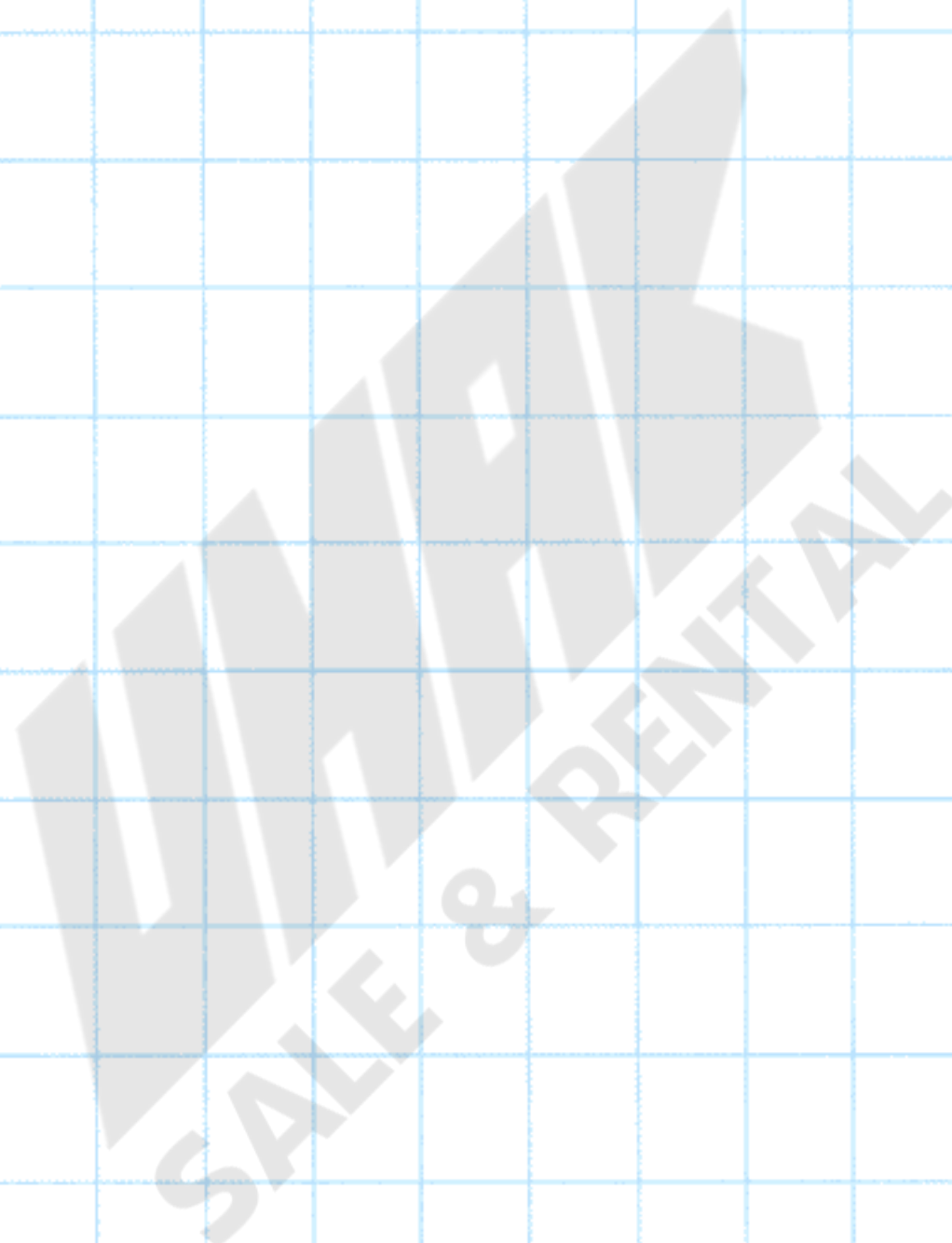
*Stowed -	381 lbs.
*Erected -	1,950 lbs.

*Reduction of main boom capacities

AUXILIARY BOOM HEAD	100 lbs.
HOOKBLOCKS and HEADACHE BALLS:	
12 Ton, 1 Sheave (12-1/8" OD)	268 lbs.+
22 Ton, 3 Sheave	455 lbs.+
7 -1/2 Ton Headache Ball	338 lbs.+
5 Ton Headache Ball	172 lbs.+

+Refer to rating plate for actual weight.

NOTES:



Rated lifting capacities

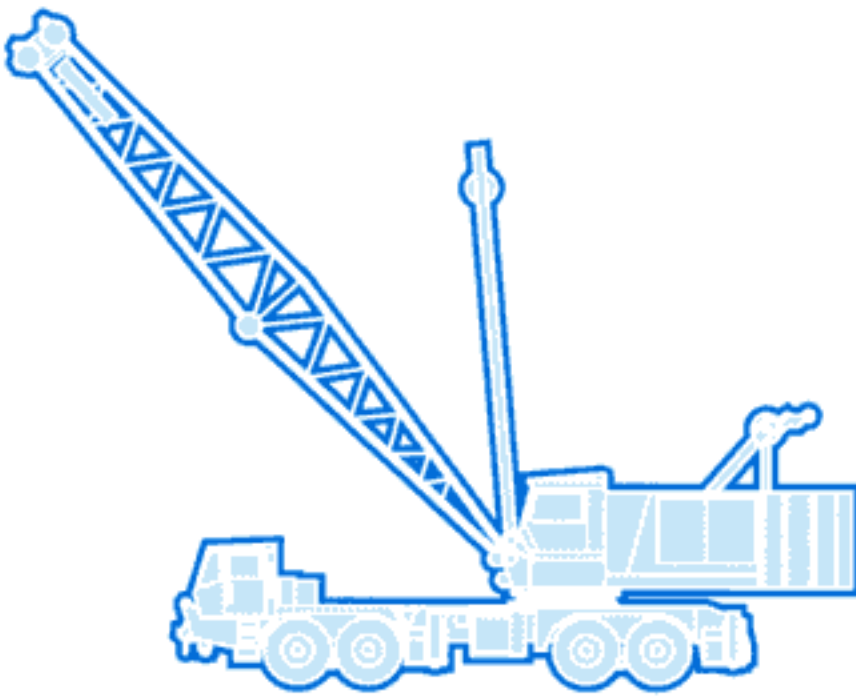
Important Notes:

Warning: THIS CHART IS ONLY A GUIDE.
 The notes below are for illustration only and should not be relied upon to operate the crane. The individual crane's load chart, operating instructions and other instruction plates must be read and understood prior to operating the crane.

1. All rated loads have been tested to and meet minimum requirements of SAEJ1063 NOV93 - Cantilevered Boom Crane Structures - Method of Test, and do not exceed 85% of the tipping load on outriggers (75% of the tipping load on rubber) as determined by SAEJ765 OCT90 Crane Stability Test Code.
2. Capacities given do not include the weight of hook-blocks, slings, auxiliary lifting equipment and load handling devices. Their weights must be added to the load to be lifted. When more than minimum required reeving is used, the additional rope weight shall be considered part of the load.
3. Capacities appearing above the bold line are based on structural strength. Tipping should never be used as a capacity indicator.
4. All capacities are for crane on firm, level surface. It may be necessary to have structural supports under the outrigger floats or tires to spread the load to a larger bearing surface.
5. When either boom length or radius or both are between values listed, the smallest load shown at either the next larger radius or boom length shall be used.
6. For outrigger operation, ALL outriggers shall be fully extended with tires raised free of ground before raising the boom or lifting loads.

Symbols Glossary

	Frame		Steering
	Outriggers		Transmission
	Outrigger Controls		Axles
	Engine		Brakes
	Fuel Tank Capacity		Tires
	Electrical System		Suspension
	Drive		Rotation
	Lights		Boom Elevation
	Cab		Swing
	Boom		Counterweight
	Fixed Swingaway		Oil
	Tele-Swingaway		Hydraulic System
	Jib		Hoist
	Boom Nose		Radius
	Boom Extension		Boom Length
	Speed		Hookblock
	Grade		Gear
	Lattice Extension		Luffing Jib



Grove Worldwide – World Headquarters

Grove North America
1565 Buchanan Trail East
P.O. Box 21
Shady Grove, Pennsylvania 17256, U.S.A.
Tel: [Int + 1] (717) 597-8121
Fax: [Int + 1] (717) 597-4062
Western Hemisphere, Asia/Pacific

Grove France S.A.

16, chaussée Jules-César, 95520 OSNY
B.P. 203, 95523 CERGY PONTOISE CEDEX
France
Tel: [Int + 33] (1) 30313150
Int: [Int + 33] (1) 30386085

Grove Asia/Pacific - Regional Office

171 Chin Swee Road
#06-01 San Centre
Singapore 0316
Tel: [Int + 65] 536-6112
Fax: [Int + 65] 536-6119
Asia/Pacific, Near East

Grove Europe Limited*

Sunderland SR4 6TT, England
Tel: [Int + 44] 191 565-6281
Fax: [Int + 44] 191 564-0442
Europe, Africa, Middle East

Grove China - Representative Office

Beijing Suite 6074
No. 33 East Chang An Avenue
Beijing, 100004, China
Tel: [Int + 86] (10) 513-7766
Fax: [Int + 86] (10) 513-7307

Grove Europe Limited*

P.O. Box No. 268
4A Kimber Road
Abingdon, Oxfordshire, OX141SG
Tel: [Int + 44] 1235 55-3184
Fax: [Int + 44] 1235 55-3218
*Grove Europe Limited, Registered in England,
Number 1845128. Registered office, Crown Works,
Pallion, Sunderland, Tyne & Wear, England SR4 6TT

Grove Product Support

Western Hemisphere, Asia/Pacific
1086 Wayne Avenue
Chambersburg, Pennsylvania USA
Tel: [Int + 1] (717) 263-5100
Fax: [Int + 1] (717) 267-0404

**Deutsche Grove GmbH
Sales and Service**

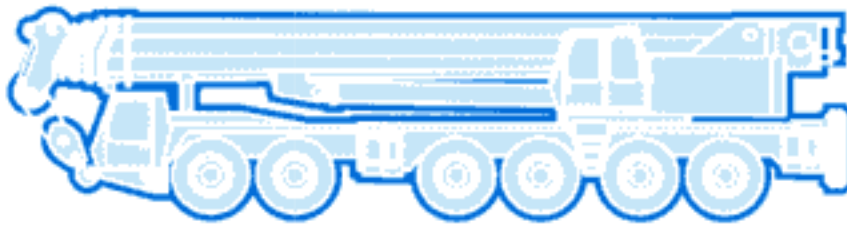
Helmholtzstrasse 12, Postfach 5026
D-40750 Langenfeld, Germany
Tel: [Int + 49] (2173) 8909-0
Fax: [Int + 49] (2173) 8909-30

Europe, Africa, Middle East
Sunderland SR4 6TT, England
Tel: [Int + 44] 191 565-6281
Parts Fax: [Int + 44] 191 510-9242
Service Fax: [Int + 44] 191 510-9560

Wilhelmshaven Works

Industriegelände West, Postfach 1853
D-26358 Wilhelmshaven, Germany
Tel: [Int + 49] (4421) 294-0
Fax: [Int + 49] (4421) 294-301

<http://www.grovetworldwide.com>



Constant improvement and engineering progress make it necessary that we reserve the right to make specification, equipment, and price changes without notice. Illustrations shown may include optional equipment and accessories and may not include all standard equipment.

Distributed By: