

**TOTAL RATED LOADS**

(1) With outriggers set (360°)

Unit : ton

Outriggers fully extended									
B (m)	A				E (°)	C		D	
	8.8m	15.2m	21.6m	28.0m		7.0m		12.0m	
						5°	30°	5°	30°
3.0	25.0	19.2			80	3.0	2.0	2.0	1.0
3.5	25.0	19.2	12.0		75	3.0	2.0	2.0	1.0
4.0	23.0	19.2	12.0		70.5	3.0	2.0	1.7	0.94
4.5	21.0	17.6	12.0		69	2.8	2.0	1.6	0.9
5.0	19.4	16.2	12.0		65	2.4	1.8	1.4	0.85
5.5	17.7	15.0	11.2		60	2.0	1.55	1.2	0.8
6.0	16.2	13.9	10.5	7.5	55	1.65	1.35	1.1	0.75
6.5	14.8	13.0	9.8	7.5	50	1.3	1.15	1.0	0.7
7.0		12.1	9.2	7.2	45	1.05	0.95	0.85	0.65
8.0		9.5	8.2	6.6	40	0.85	0.8	0.65	0.6
9.0		7.5	7.4	6.0	35	0.65	0.65	0.5	0.5
10.0		6.2	6.6	5.5	30	0.5	0.5		
11.0		5.2	5.8	5.0					
12.0		4.3	4.9	4.5					
13.0		3.7	4.3	4.1					
14.0			3.7	3.8					
15.0			3.2	3.5					
16.0			2.8	3.15					
17.0			2.5	2.75					
18.0			2.25	2.4					
19.0			2.0	2.15					
20.0				1.9					
22.0				1.5					
24.0				1.2					
26.0				0.95					

Outriggers middle extended					
B (m)	A				J
	8.8m	15.2m	21.6m	28.0m	
3.0	20.0	17.0			
3.5	18.0	17.0	9.0		
4.0	14.2	14.0	9.0		
4.5	11.7	11.5	9.0		
5.0	9.7	9.5	9.0		
5.5	8.2	8.0	8.2		
6.0	7.0	6.8	7.3	6.0	
6.5	6.0	5.9	6.4	6.0	
7.0		5.2	5.7	6.0	
8.0		4.0	4.5	4.7	
9.0		3.1	3.6	3.8	
10.0		2.5	2.9	3.2	
11.0		2.0	2.4	2.7	
12.0		1.55	2.0	2.2	
13.0		1.2	1.65	1.9	
14.0			1.35	1.55	
15.0			1.1	1.3	
16.0			0.9	1.05	
17.0			0.7	0.85	
18.0			0.5	0.7	
19.0				0.55	

A = Boom length  
 B = Working radius  
 C = Jib length  
 D = Jib offset  
 E = Boom angle

**NOTES:**

- The total rated loads shown are for the case when the outriggers are set horizontally on firm ground. The values above the bold lines are based on the crane strength while those below are based on the crane stability.
- The weights of the slings and hooks (main winch hook: 270kg, auxiliary winch hook: 50kg) are included in the total rated loads shown.
- The total rated load is based on the actual working radius including the deflection of the boom.
- The number of part lines for each boom length should not exceed the values below. The load per line should not exceed 3.2t for the main winch and 3.0t for the auxiliary winch.

A	8.8m	15.2m	21.6m	28.0m	J
H	8	6	4	4	1

A = Boom length H = No. of part-line J = Jib/ Single top

- The total rated loads for free-fall operations is 1/5 of the total rated loads given above. The load per line in this case should not exceed 0.6t for both the main winch and the auxiliary winch.
- Do not use the jib with the "Outriggers middle extended".
- The total rated load for the single top shall be the value obtained by subtracting 0.25t from the total rated load of the boom and must not exceed 3.0t.

(2) Without outriggers

Unit : ton

B (m)	Stationary						Creep (travelling at 1.6km/h or less)					
	8.8m BOOM		15.2m BOOM		21.6m BOOM		8.8m BOOM		15.2m BOOM		21.6m BOOM	
	F	G	F	G	F	G	F	G	F	G	F	G
3.0	14.0	9.0	9.0	7.2			10.5	7.0	7.5	4.9		
3.5	14.0	7.6	9.0	7.2			10.5	6.2	7.5	4.9		
4.0	12.5	6.3	9.0	5.8	6.5	4.5	9.5	5.3	7.5	4.9	5.5	3.1
4.5	10.9	5.2	9.0	4.7	6.5	4.5	8.7	4.4	7.5	3.9	5.5	3.1
5.0	9.0	4.3	8.2	4.0	6.5	4.3	7.6	3.6	7.0	3.3	5.5	3.1
5.5	7.7	3.6	7.2	3.3	6.0	3.7	6.5	3.0	6.1	2.7	5.1	3.1
6.0	6.6	3.0	6.3	2.8	5.6	3.2	5.5	2.5	5.3	2.3	4.7	2.7
6.5	5.7	2.5	5.6	2.35	5.2	2.75	4.8	2.1	4.7	1.9	4.4	2.3
7.0			4.9	1.95	4.8	2.4			4.1	1.6	4.1	2.0
8.0			3.8	1.35	4.0	1.8			3.2	1.1	3.4	1.5
9.0			3.0	0.95	3.4	1.4			2.5	0.7	2.8	1.1
10.0			2.4	0.55	2.8	1.05			2.0		2.3	0.8
11.0			1.9		2.3	0.75			1.6		1.9	0.6
12.0			1.5		1.85				1.2		1.55	
13.0			1.2		1.55						1.3	
14.0					1.25						1.05	
15.0					1.05						0.85	
16.0					0.85						0.7	
17.0					0.7							
18.0					0.55							

B = Working radius F = Front G = 360°

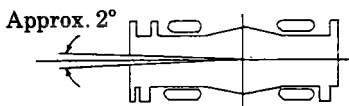
NOTES:

1. The total rated loads shown are for the case when the crane is set horizontally on firm ground. The values above the bold lines are based on the crane strength while those below are based on the crane stability. The foundation, working conditions, etc. should be taken into consideration adequately when using the crane for actual work. (Tire air pressure: 7.75kg/cm<sup>2</sup>).
2. The weights of the slings and hooks (main winch hook: 270kg) are included in the total rated loads shown.
3. The total rated loads are based on the actual working radii into which are included the deflections of the boom and the tires.
4. The number of part lines for each boom length should not exceed the values below. The load per line should not exceed 3.2t (for the main winch).

A	8.8 m	15.2 m	21.6 m
H	8	6	4

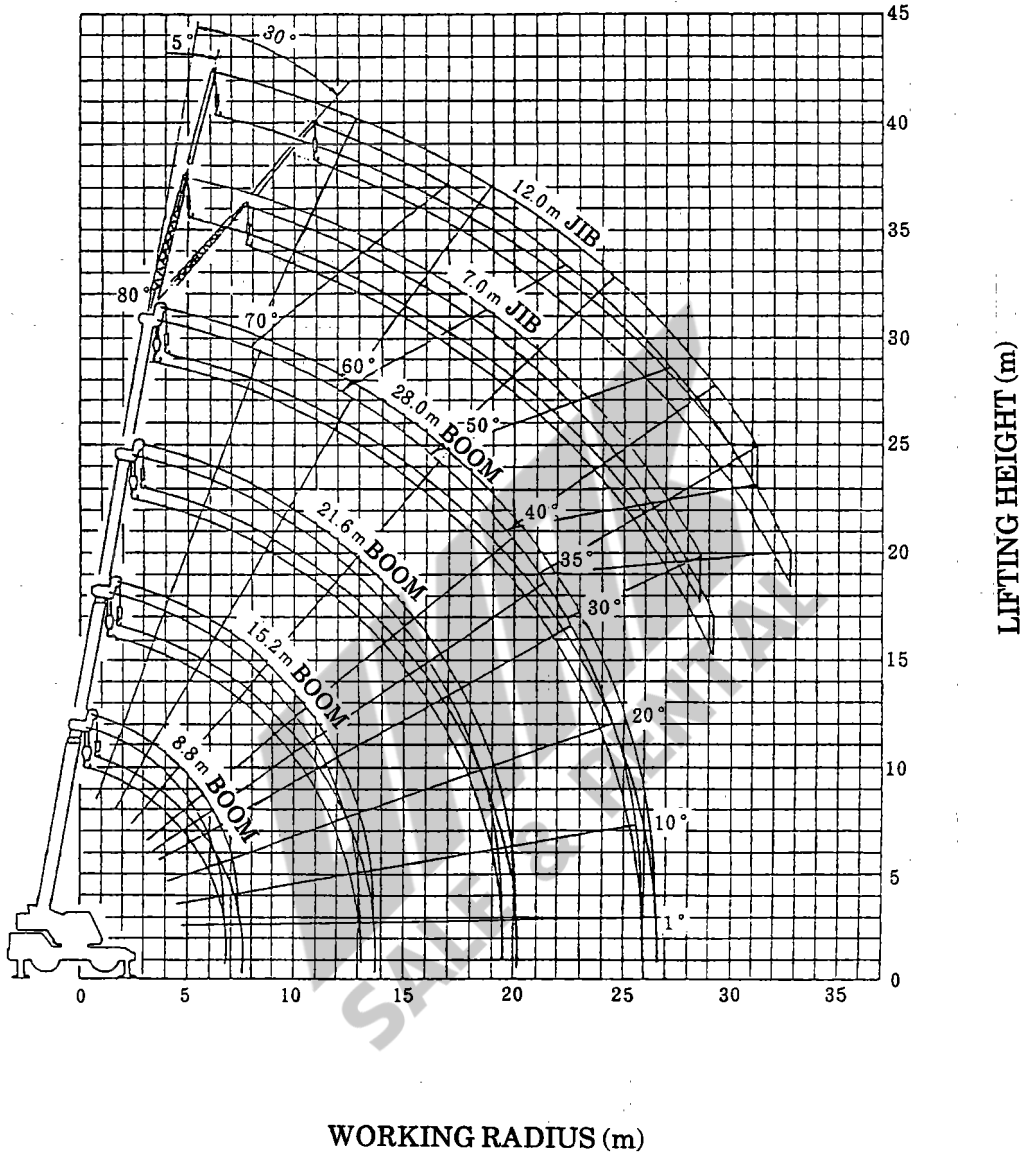
A = Boom length  
H = No. of part-line

5. Free-fall operations should not be performed without outriggers.
6. The 28.0m boom, the jib and the single top should not be used without the outriggers.
7. The boom must be kept inside a 2° area (1° each to the left and right) over front of the carrier when performing "Over front" crane operations without the outriggers.



8. When creeping while hoisting a load, the swing brake should be applied, the load should be kept as close to the ground as possible but not touching the ground and the speed should be kept at 1.6km/h or less. In particular, any abrupt steering, starting or braking must be avoided.
9. Crane operations should not be performed when creeping while hoisting a load.

**WORKING RADIUS - LIFTING HEIGHT**



**NOTES:**

1. The deflection of the boom is not incorporated in the figure above.
2. The figure above is for the case when the outriggers are fully extended (360°).

**DIMENSIONS (1/100)**

