



# GT-600EX

CARRIER : TC-4255-2

## GENERAL DATA

<b>CRANE CAPACITY</b>	60,000 kg at 3.0 m	
<b>BOOM</b>	5-section, 11.0 m – 43.0 m	
<b>DIMENSION</b>		
Overall length	approx.	13,170 mm
Overall width	approx.	2,820 mm
Overall height	approx.	3,730 mm
<b>MASS*</b>		
Gross vehicle mass	approx.	41,500 kg
— front axle	approx.	16,000 kg
— rear axle	approx.	25,500 kg
* incl. 35 t hook block (optional)		
<b>PERFORMANCE</b>		
Max. travelling speed	computed	84 km/h
Gradeability (tan $\theta$ )	computed	58 %

## CRANE SPECIFICATIONS

**MODEL**  
GT-600EX

**CAPACITY**  
60,000 kg at 3.0 m

**BOOM**  
5-section full power partially synchronized telescoping boom of round box construction with 5 sheaves at boom head. The synchronization system consists of 2 telescope cylinders, extension cables and retraction cables. Hydraulic cylinders fitted with holding valves.  
Selection of 2 boom telescoping modes (I & II).  
Fully retracted length..... 11.0 m  
Fully extended length..... 43.0 m  
Extension speed..... 32.0 m in 135 s

**JIB**  
2-staged swingaround boom extension. Triple offset (5° / 25° / 45°) type. Stores alongside base boom section. Single sheave at jib head. Assistant cylinders for mounting and stowing.  
Length ..... 8.8 m and 15.2 m

**SINGLE TOP (AUXILIARY BOOM SHEAVE)**  
Single sheave.  
Mounted to main boom head for single line work.

**ELEVATION**  
By a double-acting hydraulic cylinder, fitted with holding valve.  
Elevation speed..... - 2° to 81° in 76 s

**HOIST-Main winch**  
Variable speed type with grooved drum driven by hydraulic axial piston motor through winch speed reducer. Power load lowering and hoisting.  
Equipped with automatic brake (Neutral brake) and counter-balance valve. Controlled independently of auxiliary winch.  
Single line pull..... 54.9 kN {5,600 kgf}  
Single line speed..... 139 m/min. (at the 4th layer)  
Wire rope..... Spin-resistant type  
Diameter x length..... 19 mm x 235 m

## HOIST-Auxiliary winch

Variable speed type with grooved drum driven by hydraulic axial piston motor through winch speed reducer. Power load lowering and hoisting.

Equipped with automatic brake (Neutral brake) and counterbalance valve. Controlled independently of main winch.

Single line pull.....	54.9 kN {5,600 kgf}
Single line speed.....	121 m/min. (at the 2nd layer)
Wire rope.....	Spin-resistant type
Diameter x length.....	19 mm x 127 m

## SWING

Hydraulic axial piston motor driven through planetary swing speed reducer. Continuous 360° full circle swing on ball bearing slew ring. Equipped with manually locked/released swing brake.

Swing speed.....	1.7 min <sup>-1</sup> { rpm }
------------------	-------------------------------

## HYDRAULIC SYSTEM

Pumps..... 2 variable piston pumps for telescoping, elevating and winches. Tandem gear pump for swing and optional equipment.

Control valves..... Multiple valves actuated by pilot pressure with integral pressure relief valves.

Circuit..... Equipped with air cooled type oil cooler. Oil pressure appears on AML display for main circuit.

Hydraulic oil tank capacity..... approx. 690 liters

Filters..... Return line filter

## CRANE CONTROL

By 4 control levers for swing, boom hoist, main winch, boom telescoping or auxiliary winch with 2 control pedals for boom hoist and boom telescoping based on ISO standard layout. Control lever stands can change neutral positions and tilt for easy access to cab.

## CAB

One sided one-man type, steel construction with sliding door access and tinted safety glass windows opening at side. Door window is powered control. Operator's 3 way adjustable seat with headrest and armrest.

## TADANO Automatic Moment Limiter (Model:AML-C)

Main unit in crane cab gives audible and visual warning of approach to overload. Automatically cuts out crane motions (including swing motion) before overload. With working range (load radius and/or boom angle and/or tip height and/or swing range) limit function.

Following functions are displayed.

Moment as percentage
Number of parts of line of rope
Boom angle
Boom length
Load radius
Outriggers position indicator
Actual hook load
Permissible load
Boom position indicator
Potential hook height
Swing angle
Main hydraulic oil pressure
Jib length and Jib offset angle (only when jib operation)

## OUTRIGGERS

Hydraulically operated H-type outriggers. Each outrigger controlled simultaneously or independently from either side of carrier. Equipped with sight level gauge. Floats mounted integrally with the jacks retract to within vehicle width.

All cylinders fitted with pilot check valves.

Crane operation with different extended length of each outrigger.

Equipped with extension width detector for each outrigger.

Extended width	
Fully.....	6,800 mm
Middle.....	4,600 mm
Minimum.....	2,390 mm
Float size (Diameter).....	400 mm

## FRONT JACK

A fifth hydraulically operated outrigger jack. Mounted to the front frame of carrier to permit 360° lifting capabilities.

Hydraulic cylinder fitted with pilot check valve.

Float size(Diameter).....	400 mm
---------------------------	--------

## COUNTERWEIGHT

Integral with swing frame

Mass.....	4,370 kg
-----------	----------

## NOTE :

Each crane motion speed is based on unladen conditions.

# CARRIER SPECIFICATIONS

SPEC. SHEET NO. GT-600E-1-00101/EX-01

## MANUFACTURER

TADANO LTD.

## MODEL

TC-4255-2 (Left-hand steering , 8 x 4)

## ENGINE [ EURO-3 ]

Model..... Daimler OM457LA  
Type..... 4 cycle, turbo charged and inter cooled.  
Piston displacement ... 11,967 cm<sup>3</sup>  
Bore x stroke..... 128 mm x 155 mm  
Max. output ..... 260 kW{353PS} at 1,900 min<sup>-1</sup>{rpm}  
Max. torque ..... 1,850 Nm{188kgf-m} at 1,100 min<sup>-1</sup>{rpm}

## CLUTCH

Dry single plate, hydraulically operated clutch release mechanism with air assisted booster.

## TRANSMISSION

9 forward and 1 reverse speeds, synchromesh on 2nd –9th gear and constant-mesh on 1st and reverse gear.

## AXLES

Front..... Reverse-elliot type, steering axle.  
Rear..... Full floating type, driving axle  
with inter-wheel differential lock.

## STEERING

Dual circuit hydraulic and mechanical steering of both front axles with hydraulic power booster. 3rd axle reduction gear-mounted emergency steering pump

## EQUIPMENT

### FOR CRANE

#### Standard Equipment

Automatic moment limiter (AML-C)  
External lamp (AML / red & orange)  
Pendant type over-winding cutout  
Winch automatic fail-safe brake  
Winch drum rotation indicator for main and auxiliary winch  
Winch drum mirror  
Cable follower  
5.6 t capacity hook block (swivel hook)  
Hook safety latch  
Pilot check valves  
Counterbalance valves  
Hydraulic pressure relief valves  
Swing brake  
Swing lock  
Boom angle indicator  
Boom elevation foot pedal  
Boom telescoping foot pedal  
Outrigger extension width detector  
Front jack extension detector (setting position)  
Front jack overload alarm  
Sight level gauge  
Automatic Speed Reduction and Soft Stop function on boom elevation and/or swing  
Hydraulic oil cooler  
3 working lights  
Front windshield wiper and washer  
Roof window wiper and washer  
Power window (Door of the cab)  
3 way adjustable cloth seat with headrest and armrest  
Cab floor mat  
Sun visor (Front and roof)

## SUSPENSION

Front..... Hydraulic/pneumatic suspension, with hydraulic lock system and leveling adjustment.  
Rear..... Hydraulic/pneumatic suspension, with hydraulic lock system and leveling adjustment.

## BRAKE SYSTEM

Service..... Full air brakes on all wheels.  
Dual-circuit system.  
Parking/ Emergency..... Spring loaded brake on rear 4-wheel controlled by knob of spring brake valve.  
Auxiliary..... Constant throttle system with exhaust flap brake.

## ELECTRIC SYSTEM

24 V DC. 2 batteries of 12 V  
Alternator..... 28 V – 80 A

## FUEL TANK CAPACITY

300 liters

## CAB

2-man full width cab of steel structure, with safety glass. Seats adjustable and air-suspended with headrest and 3point safety belt.

## TIRES

Front..... 315/80R22.5, Single x 4  
Rear..... 315/80R22.5, Dual x 4  
Spare..... 315/80R22.5, Single x 1

## TURN RADIUS

Min. turning radius (at center of extreme outer tire).....11.3m

### Optional Equipment

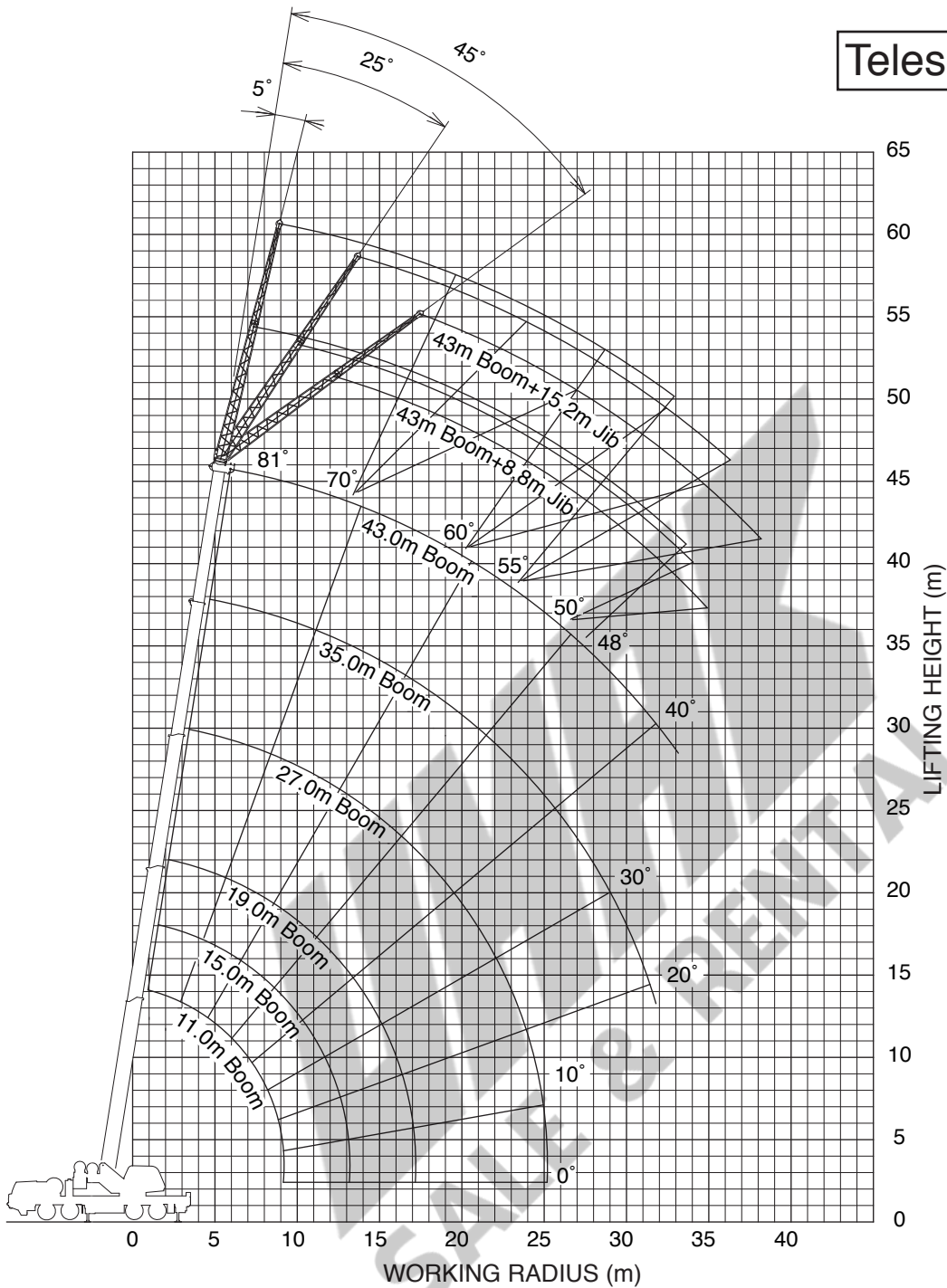
60 t capacity hook block (6 sheaves)  
 35 t capacity hook block (3 sheaves)  
 Over-unwinding prevention  
 Air conditioner (crane cab)  
 Electric fan (crane cab)

### FOR CARRIER

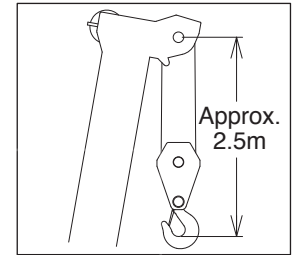
#### Standard Equipment

Spare tire with lock key  
Rear fog lights  
Inter-wheel differential gear lock  
Emergency steering pump  
Fuel tank cap with lock key  
Air dryer  
Towing hooks (Front and rear, Eye type)  
Engine over-run alarm  
Air filter warning light (Instrument cluster)  
Cooling water level warning light  
Engine hour meter  
PTO hour meter  
Reversing signal  
Low air pressure warning lamp and buzzer  
Adjustment and heating rearview mirror  
Sun visor  
Tilting-telescoping steering wheel  
3 way adjustable air suspension seat  
Tachometer/ Speedometer (with odometer)  
Air conditioner  
3 point type seat belt  
Windshield wiper and washer  
Cigarette lighter  
Cruise control  
Transmission oil drain cock  
Tire inflation  
Owner's tool set  
Toolbox with lock key

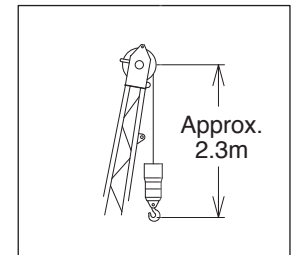
## Telescoping mode I



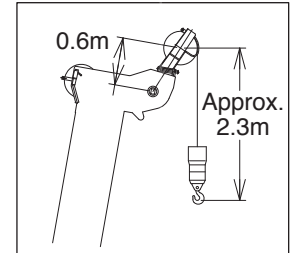
BOOM



JIB



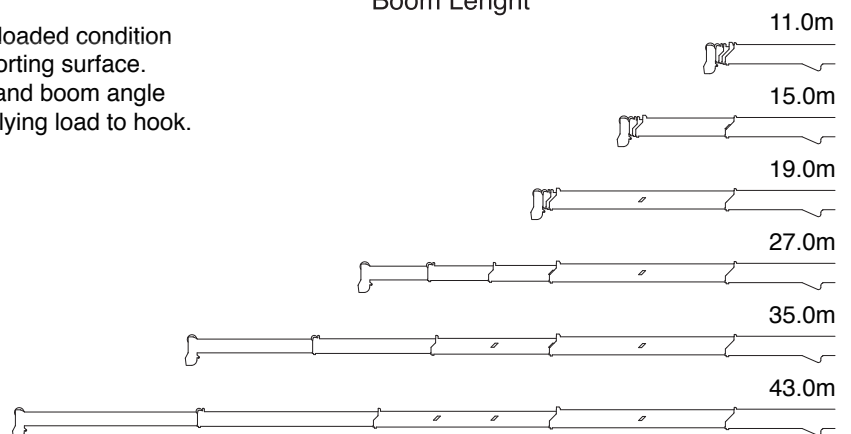
SINGLE TOP



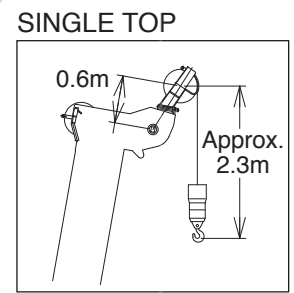
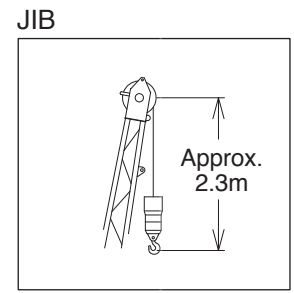
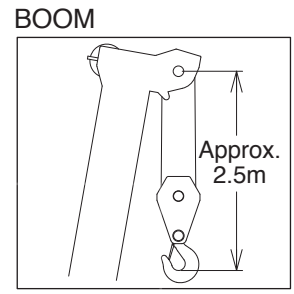
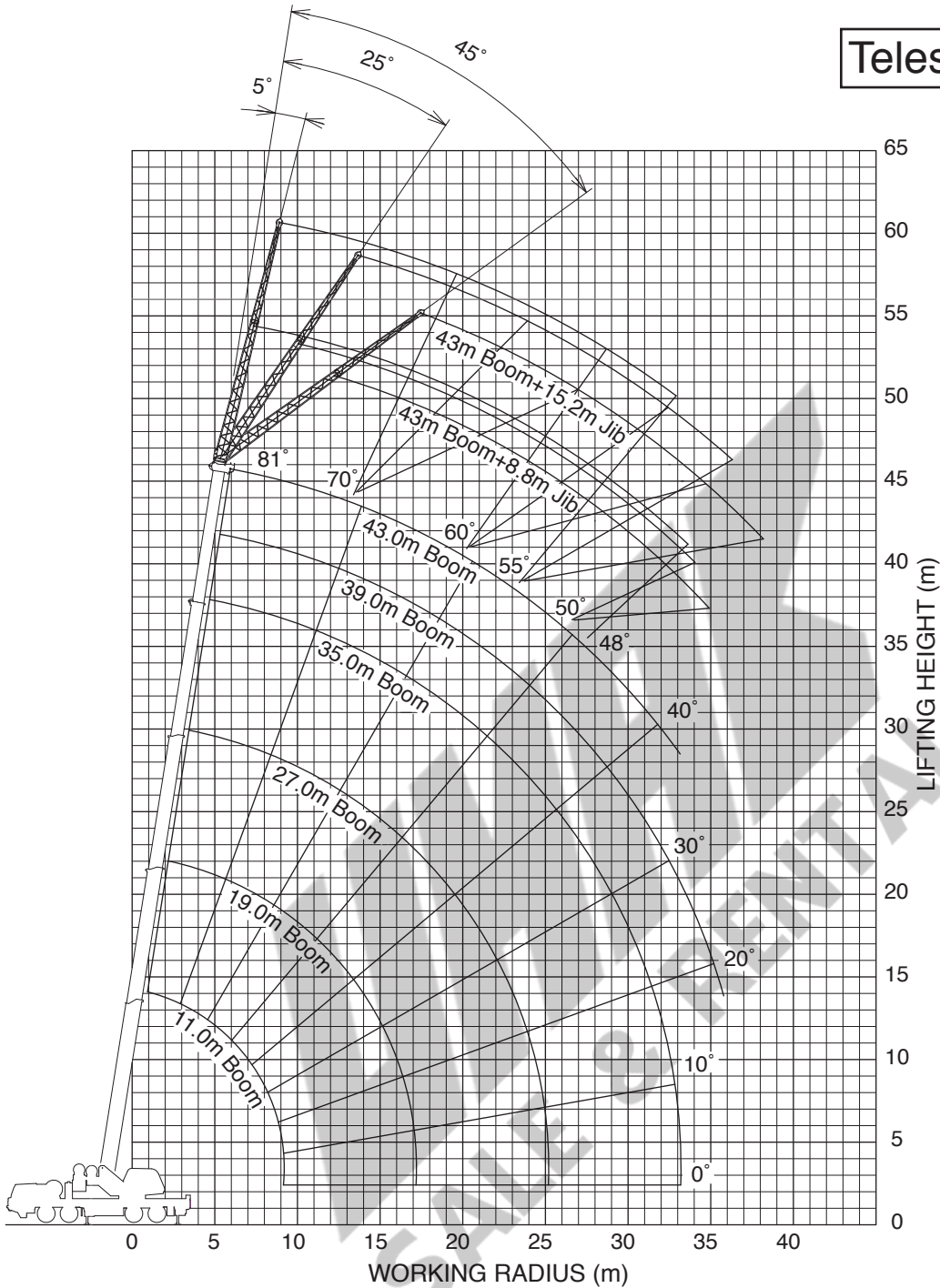
**NOTE:**

Boom and jib geometry shown are for unloaded condition and machine standing level on firm supporting surface. Boom deflection and subsequent radius and boom angle change must be accounted for when applying load to hook.

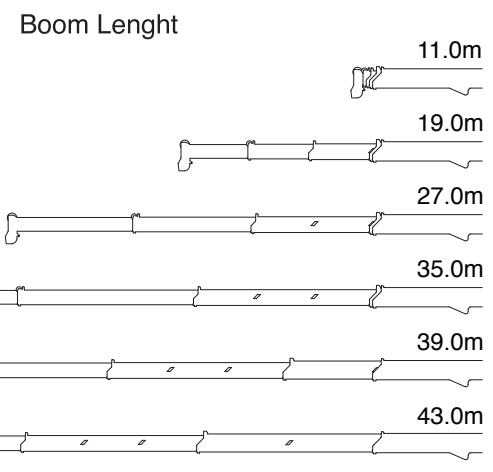
Boom Length



## Telescoping mode II



**NOTE:**  
 Boom and jib geometry shown are for unloaded condition and machine standing level on firm supporting surface.  
 Boom deflection and subsequent radius and boom angle change must be accounted for when applying load to hook.



# RATED LIFTING CAPACITIES (BOOM)

SPEC. SHEET NO. GT-600E-1-00101/EX-01

UNIT: kg CLASS OF CRANE ; C3

Outriggers fully extended (6.8m)																				
B	A	11.0		15.0		19.0		27.0		35.0		39.0	43.0							
	C	C	C	C	C	C	C	C	C	C	C	C	C							
3.0	70	60,000	76	40,800	79	32,000	79	22,000												
3.5	67	47,500	74	40,800	78	32,000	78	22,000												
4.0	64	42,400	72	40,800	76	32,000	76	22,000	81	22,000	81	17,000								
4.5	61	38,100	70	37,800	75	32,000	75	22,000	80	22,000	80	17,000								
5.0	58	34,500	68	34,200	73	32,000	73	22,000	79	22,000	79	17,000								
5.5	55	31,400	66	31,100	72	30,900	71	21,400	78	21,300	78	17,000								
6.0	51	28,700	63	28,400	70	27,400	70	20,600	77	20,700	77	17,000	80	14,000	81	12,000				
6.5	47	26,400	61	26,100	68	24,000	68	19,800	76	20,000	76	16,300	80	14,000	80	12,000				
7.0	43	24,400	59	23,500	67	21,100	66	19,100	75	19,500	75	15,400	79	14,000	79	11,900	80	10,000		
7.5	39	22,700	57	20,900	65	18,800	65	18,500	74	18,800	73	14,600	78	13,500	78	11,500	80	10,000		
8.0	34	20,000	54	18,700	63	16,900	63	17,900	72	17,100	72	13,900	77	13,000	77	11,100	79	10,000	80	8,500
9.0	20	15,700	49	15,000	60	13,900	60	16,800	70	14,300	70	12,600	76	12,100	76	10,300	78	10,000	79	8,500
10.0			43	12,000	56	11,600	56	14,700	68	12,200	68	11,600	74	11,700	74	9,700	76	9,700	78	8,500
11.0			36	9,800	52	9,500	52	12,400	65	10,500	65	10,700	72	10,200	72	9,000	75	9,200	77	8,500
12.0			28	8,200	47	7,900	48	10,600	63	9,200	63	9,900	70	9,000	71	8,400	73	8,700	76	8,100
14.0					37	5,500	38	7,900	58	6,900	58	8,300	67	7,100	67	7,300	70	7,500	73	6,900
16.0					24	3,800	25	6,200	52	5,200	52	6,500	63	5,600	63	6,400	67	6,100	70	5,500
18.0									46	3,900	46	5,200	59	4,400	59	5,400	63	5,000	66	4,400
20.0									39	3,000	40	4,200	55	3,500	55	4,400	60	4,000	63	3,600
22.0									31	2,200	32	3,500	50	2,700	51	3,600	56	3,200	60	2,900
24.0									20	1,600	22	2,900	46	2,100	46	3,000	52	2,600	57	2,300
26.0													41	1,600	41	2,500	48	2,100	53	1,800
28.0													35	1,200	35	2,100	43	1,700	50	1,400
30.0													28	800	28	1,700	39	1,300	46	1,000
32.0													18	500	18	1,400	33	1,000	42	700
34.0																	26	800	37	500
36.0																	17	600		
D							0°					18°	0°			17°				37°
Telescoping conditions(%)																				
Telescoping Mode	I, II	I	I	II	I	II	I	II	I	II	II	I, II								
2nd boom	0	50	100	0	100	0	100	0	100	0	50	100								
3rd boom	0	0	0	33	33	66	66	100	100	100	100	100								
4th boom	0	0	0	33	33	66	66	100	100	100	100	100								
Top boom	0	0	0	33	33	66	66	100	100	100	100	100								

- A: Boom length (m)
- B: Load radius (m)
- C: Loaded boom angle (°)
- D: Minimum boom angle for indicated length (no load)

## NOTES :

1. Rated lifting capacities shown in the table are based on condition that the crane is set on firm level surface. Those above bold lines are based on crane strength and those below, on its stability.
2. Rated lifting capacities based on crane stability are according to ISO 4305 / DIN 15019 part 2.
3. The mass of the hook (570kg for \*60t capacity, 410kg for \*35t capacity, 150kg for 5.6t capacity), slings and all similarly used load handling devices must be considered as part of the load and must be deducted from the lifting capacities. \*: Optional
4. For rated lifting capacity of single top, reduce the rated lifting capacities of relevant boom according to a weight reduction for auxiliary load handling equipment. Capacities of single top shall not exceed 5,600 kg including main hook.
5. Standard number of part lines for each boom length is as shown below. Load per line should not surpass 54.9 kN {5,600 kgf} for main winch and auxiliary winch.

Boom length	11.0m	11.0m to 15.0m	15.0m to 19.0m	19.0m to 27.0m	27.0m to 43.0m	Jib / Single top
No. of part lines	12	10	7	5	4	1

The lifting capacity data stored in the AUTOMATIC MOMENT LIMITER (AML) is based on the standard number of parts of line listed in the chart.

Maximum lifting capacity is restricted by the number of parts of line of AUTOMATIC MOMENT LIMITER (AML).

6. Without front jack extended, when the boom is within the Over-front, rated lifting capacities are different from those for the boom in the Over-side and Over-rear.

# RATED LIFTING CAPACITIES (BOOM)

SPEC. SHEET NO. GT-600E-1-00101/EX-01

UNIT: kg CLASS OF CRANE ; C3

Outriggers extended to middle (4.6m)																				
A	11.0		15.0		19.0		27.0		35.0		39.0		43.0							
	B	C	C	C	C	C	C	C	C	C	C	C	C	C						
3.0	70	40,000	76	36,000	80	32,000	79	22,000												
3.5	67	34,000	74	29,200	78	24,500	78	22,000												
4.0	64	27,800	72	22,900	76	19,600	76	22,000	81	17,000	81	17,000								
4.5	61	22,300	70	18,600	75	16,000	74	19,100	80	14,400	80	16,400								
5.0	58	18,400	68	15,400	73	13,400	73	16,300	79	12,400	79	14,300								
5.5	55	15,400	65	13,000	71	11,300	71	14,100	77	10,700	78	12,500								
6.0	51	13,200	63	11,200	70	9,700	70	12,300	76	9,400	76	11,100	80	8,700	80	10,000				
6.5	47	11,400	61	9,600	68	8,300	68	10,900	75	8,200	75	9,900	79	7,800	80	9,000				
7.0	43	9,900	59	8,300	66	7,200	66	9,700	74	7,300	74	9,000	78	6,900	79	8,200	80	7,400		
7.5	39	8,500	57	7,300	64	6,300	64	8,700	73	6,400	73	8,100	77	6,200	78	7,500	79	6,700		
8.0	33	7,300	54	6,300	63	5,500	63	7,800	72	5,700	72	7,400	77	5,600	77	6,800	78	6,100	80	5,300
9.0	19	5,500	49	4,900	59	4,100	59	6,400	69	4,600	70	6,100	75	4,600	75	5,700	77	5,100	78	4,400
10.0			43	3,700	55	3,100	55	5,300	67	3,600	67	5,200	73	3,700	73	4,900	75	4,300	77	3,600
11.0			36	2,700	51	2,200	51	4,400	65	2,900	65	4,400	71	3,000	71	4,200	74	3,600	76	3,000
12.0			28	1,900	47	1,500	47	3,500	62	2,300	62	3,700	69	2,500	70	3,600	72	3,100	74	2,500
14.0							38	2,300	57	1,300	57	2,700	66	1,600	66	2,700	69	2,200	71	1,600
16.0							25	1,500			52	1,900			62	2,000	66	1,500		
18.0											46	1,200			58	1,400				
20.0											39	700			54	900				
D		0°		0°		37°		0°		56°		37°		65°		53°		63°		70°
Telescoping conditions(%)																				
Telescoping Mode	I, II	I	I	II	I	II	I	II	I	II	II	I, II								
2nd boom	0	50	100	0	100	0	100	0	100	0	50	100								
3rd boom	0	0	0	33	33	66	66	100	100	100	100	100								
4th boom	0	0	0	33	33	66	66	100	100	100	100	100								
Top boom	0	0	0	33	33	66	66	100	100	100	100	100								

UNIT: kg CLASS OF CRANE ; C3

Outriggers extended to minimum (2.39m)								
A	11.0		15.0		19.0		B	
	C	C	C	C	C	C		
3.0	70	17,900	76	15,000	79	12,900	79	15,500
3.5	67	14,500	74	12,300	78	10,600	77	13,000
4.0	64	12,000	72	10,100	76	8,800	76	11,100
4.5	61	10,000	70	8,500	74	7,400	74	9,600
5.0	58	8,500	67	7,100	73	6,200	73	8,300
5.5	55	7,300	65	6,000	71	5,200	71	7,300
6.0	51	6,200	63	5,100	70	4,300	69	6,400
6.5	47	5,400	61	4,300	68	3,600	68	5,700
7.0	43	4,600	59	3,700	66	3,000	66	5,000
7.5	39	3,900	56	3,100	64	2,500	64	4,500
8.0	33	3,300	54	2,600	63	2,000	63	4,000
9.0	19	2,300	48	1,700	59	1,200	59	3,200
10.0			43	1,100			55	2,500
11.0			39	500			51	2,000
12.0							47	1,500
14.0							38	700
D		0°		0°		58°		36°
Telescoping conditions (%)								
Telescoping Mode	I, II	I	I	II				
2nd boom	0	50	100	0				
3rd boom	0	0	0	33				
4th boom	0	0	0	33				
Top boom	0	0	0	33				

- A: Boom length (m)
- B: Load radius (m)
- C: Loaded boom angle (°)
- D: Minimum boom angle for indicated length (no load)

# RATED LIFTING CAPACITIES (JIB)

SPEC. SHEET NO. GT-600E-1-00101/EX-01

UNIT: kg CLASS OF CRANE ; C3

Outriggers fully extended (6.8m)												
C	43.0m Boom + 8.8m Jib						43.0m Boom + 15.2m Jib					
	5° offset		25° offset		45° offset		5° offset		25° offset		45° offset	
	R	W	R	W	R	W	R	W	R	W	R	W
81°	9.2	4,000	12.2	3,580	14.1	2,470	11.3	2,600	16.2	1,690	19.5	1,170
80°	10.2	4,000	13.3	3,500	15.1	2,440	12.5	2,600	17.4	1,650	20.6	1,150
79°	11.3	4,000	14.2	3,420	15.9	2,400	13.6	2,600	18.4	1,610	21.5	1,130
78°	12.3	4,000	15.1	3,320	16.8	2,370	14.8	2,600	19.5	1,580	22.4	1,120
77°	13.3	4,000	16.0	3,220	17.6	2,340	15.9	2,560	20.4	1,540	23.4	1,100
76°	14.2	3,850	16.9	3,120	18.5	2,320	17.0	2,460	21.5	1,510	24.3	1,090
75°	15.2	3,720	17.7	3,040	19.3	2,290	18.1	2,380	22.4	1,480	25.2	1,080
73°	17.0	3,500	19.5	2,880	21.0	2,240	20.1	2,220	24.3	1,430	27.0	1,050
70°	19.5	3,200	22.0	2,680	23.3	2,180	23.0	2,010	27.2	1,350	29.4	1,020
68°	21.4	3,030	23.6	2,560	24.8	2,140	25.1	1,900	29.0	1,310	31.1	1,000
65°	23.7	2,520	25.9	2,250	27.0	2,090	27.8	1,750	31.8	1,250	33.5	980
63°	25.1	2,130	27.2	1,920	28.4	1,860	29.5	1,520	33.3	1,210	35.1	970
60°	27.3	1,660	29.3	1,520	30.4	1,480	31.8	1,140	35.7	990	37.1	950
58°	28.8	1,400	30.7	1,280	31.7	1,240	33.4	920	37.0	810	38.2	770
55°	30.9	1,070	32.7	960	33.4	930	35.7	660	39.1	560	40.1	530
53°	32.2	860	33.9	770	34.6	750						
50°	34.1	580	35.7	520	36.4	510						
48°	35.3	430										

UNIT: kg CLASS OF CRANE ; C3

Outriggers fully extended (6.8m)												
C	39.0m Boom (telescoping mode II) + 8.8m Jib						39.0m Boom (telescoping mode II) + 15.2m Jib					
	5° offset		25° offset		45° offset		5° offset		25° offset		45° offset	
	R	W	R	W	R	W	R	W	R	W	R	W
81°	8.1	4,400	11.0	3,580	13.0	2,470	10.2	2,600	15.0	1,690	18.3	1,170
80°	9.0	4,400	11.9	3,500	13.8	2,440	11.3	2,600	16.0	1,650	19.3	1,150
79°	9.9	4,400	12.8	3,420	14.7	2,400	12.3	2,600	16.9	1,610	20.2	1,130
78°	10.9	4,400	13.7	3,350	15.5	2,370	13.4	2,600	17.9	1,580	21.0	1,120
77°	11.8	4,400	14.5	3,280	16.3	2,340	14.4	2,560	18.8	1,540	21.9	1,100
76°	12.6	4,240	15.3	3,210	17.1	2,320	15.4	2,460	19.8	1,510	22.7	1,090
75°	13.5	4,090	16.1	3,150	17.8	2,290	16.3	2,380	20.7	1,480	23.5	1,080
73°	15.1	3,850	17.8	3,040	19.3	2,240	18.2	2,220	22.5	1,430	25.1	1,050
70°	17.6	3,510	20.1	2,890	21.5	2,180	20.9	2,010	25.1	1,350	27.4	1,020
68°	19.2	3,320	21.7	2,780	22.8	2,140	22.7	1,900	26.8	1,310	28.9	1,000
65°	21.5	3,070	23.8	2,610	24.8	2,090	25.3	1,750	29.1	1,250	31.0	980
63°	23.0	2,930	25.2	2,520	26.2	2,070	27.0	1,670	30.8	1,210	32.4	970
60°	25.1	2,580	27.2	2,310	28.2	2,030	29.4	1,560	33.0	1,160	34.4	950
58°	26.5	2,260	28.5	2,020	29.5	1,930	31.1	1,490	34.5	1,130	35.7	940
55°	28.3	1,830	30.3	1,650	31.1	1,590	33.2	1,290	36.5	1,090	37.5	930
53°	29.6	1,590	31.4	1,440	32.1	1,400	34.6	1,100	37.8	960	38.6	900
50°	31.4	1,280	33.1	1,170	33.7	1,140	36.6	850	39.4	740	40.0	710
48°	32.5	1,100	34.1	1,010	34.6	990	37.8	700	40.5	620	41.0	590
45°	34.2	870	35.6	800	35.9	790	39.6	510	42.1	450	42.3	440
43°	35.3	740	36.6	680			40.8	410				
40°	36.8	570	37.4	520								
38°	37.7	460	38.8	430								

C: Boom angle  
R: Load radius (m)  
W: Rated lifting capacity



# RATED LIFTING CAPACITIES (JIB)

SPEC. SHEET NO. GT-600E-1-00101/EX-01

UNIT: kg CLASS OF CRANE ; C3

Outriggers fully extended (6.8m)												
C	35.0m Boom (telescoping mode I) + 8.8m Jib						35.0m Boom (telescoping mode I) + 15.2m Jib					
	5° offset		25° offset		45° offset		5° offset		25° offset		45° offset	
	R	W	R	W	R	W	R	W	R	W	R	W
81°	7.3	4,500	10.3	3,580	12.1	2,470	9.2	2,600	14.1	1,690	17.6	1,170
80°	8.1	4,500	11.1	3,500	12.8	2,440	10.1	2,600	15.0	1,650	18.4	1,150
79°	8.9	4,500	11.8	3,420	13.5	2,400	10.9	2,600	15.9	1,610	19.2	1,130
78°	9.7	4,500	12.5	3,350	14.2	2,370	12.0	2,600	16.8	1,580	20.0	1,120
77°	10.5	4,500	13.4	3,280	14.9	2,340	12.9	2,560	17.6	1,540	20.7	1,100
76°	11.3	4,500	14.1	3,210	15.6	2,320	13.8	2,460	18.5	1,510	21.5	1,090
75°	12.1	4,500	14.9	3,150	16.3	2,290	14.7	2,380	19.3	1,480	22.2	1,080
73°	13.6	4,500	16.3	3,040	17.7	2,240	16.5	2,220	20.9	1,430	23.7	1,050
70°	16.0	4,440	18.5	2,890	19.6	2,180	18.9	2,010	23.3	1,350	25.7	1,020
68°	17.4	4,210	19.8	2,800	20.9	2,140	20.6	1,900	24.8	1,310	27.1	1,000
65°	19.5	3,910	21.8	2,690	22.7	2,090	22.9	1,750	27.0	1,250	29.0	980
63°	20.8	3,530	23.1	2,620	23.9	2,070	24.5	1,670	28.5	1,210	30.3	970
60°	22.6	2,900	25.1	2,530	25.7	2,030	26.8	1,560	30.5	1,160	32.0	950
58°	23.9	2,520	26.2	2,270	26.9	2,010	28.3	1,490	31.8	1,130	33.3	940
55°	25.6	2,030	27.8	1,850	28.4	1,760	30.4	1,410	33.8	1,090	34.8	930
53°	26.8	1,750	28.9	1,610	29.4	1,540	31.7	1,250	34.9	1,060	35.9	920
50°	28.4	1,400	30.3	1,290	30.8	1,250	33.5	960	36.5	820	37.2	770
48°	29.5	1,200	31.4	1,110	31.7	1,080	34.7	800	37.5	680	38.1	640
45°	31.0	940	32.7	880	32.9	860	36.4	580	38.9	500	39.3	470
43°	32.0	790	33.6	740			37.5	460				
40°	33.4	590	34.8	560								
38°	34.3	480	35.6	450								

C: Boom angle  
R: Load radius (m)  
W: Rated lifting capacity

# RATED LIFTING CAPACITIES (JIB)

SPEC. SHEET NO. GT-600E-1-00101/EX-01

UNIT: kg CLASS OF CRANE ; C3

Outriggers extended to middle (4.6m)												
C	43.0m Boom + 8.8m Jib						43.0m Boom + 15.2m Jib					
	5° offset		25° offset		45° offset		5° offset		25° offset		45° offset	
	R	W	R	W	R	W	R	W	R	W	R	W
81°	9.2	4,000	12.6	3,160	14.1	2,470	11.3	2,600	16.2	1,690	19.5	1,170
80°	10.1	3,490	12.9	2,740	15.1	2,430	12.4	2,480	17.3	1,650	20.5	1,150
79°	10.9	2,990	13.6	2,380	15.8	2,130	13.4	2,080	18.2	1,450	21.5	1,130
78°	11.7	2,560	14.5	2,060	16.5	1,850	14.2	1,720	19.1	1,220	22.4	1,070
77°	12.6	2,180	15.2	1,770	17.2	1,600	15.1	1,420	19.9	1,020	23.1	900
76°	13.4	1,850	16.0	1,500	18.0	1,380	16.0	1,150				
75°	14.2	1,550	16.8	1,260	18.7	1,170						

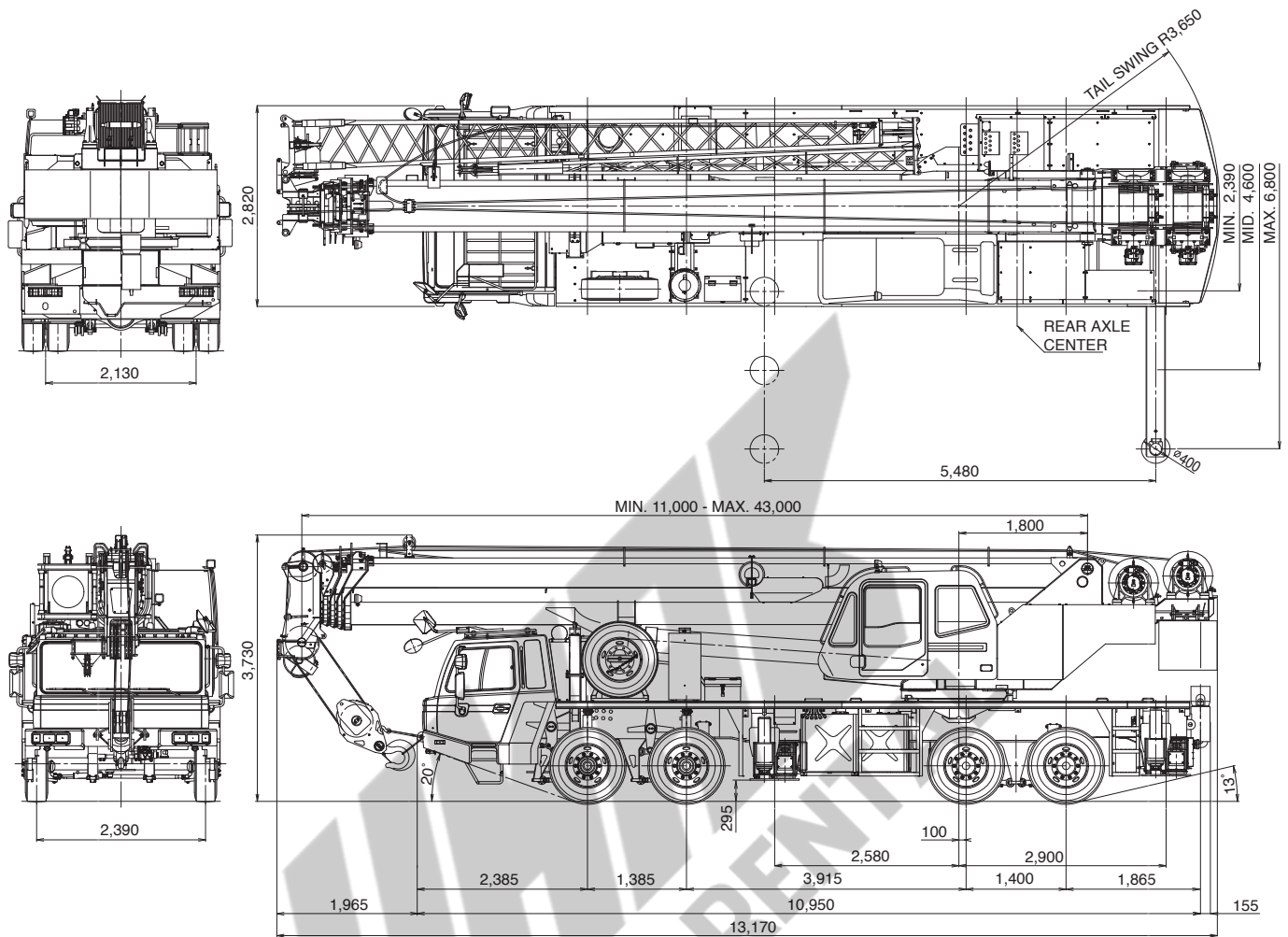
UNIT: kg CLASS OF CRANE ; C3

Outriggers extended to middle (4.6m)												
C	39.0m Boom (telescoping modeII) + 8.8m Jib						39.0m Boom (telescoping modeII) + 15.2m Jib					
	5° offset		25° offset		45° offset		5° offset		25° offset		45° offset	
	R	W	R	W	R	W	R	W	R	W	R	W
81°	8.1	4,400	11.0	3,580	13.0	2,470	10.2	2,600	15.0	1,690	18.4	1,170
80°	9.0	4,400	11.9	3,500	13.8	2,440	11.3	2,600	16.0	1,650	19.3	1,150
79°	9.9	4,210	12.7	3,300	14.6	2,400	12.3	2,600	17.0	1,610	20.1	1,130
78°	10.7	3,700	13.5	2,940	15.5	2,370	13.4	2,600	17.9	1,580	21.0	1,120
77°	11.4	3,250	14.3	2,620	16.3	2,340	14.2	2,310	18.8	1,540	21.9	1,100
76°	12.2	2,860	15.0	2,330	16.9	2,100	15.0	1,990	19.8	1,500	22.7	1,090
75°	13.0	2,520	15.7	2,060	17.7	1,880	15.8	1,720	20.6	1,310	23.5	1,080
73°	14.5	1,940	17.2	1,610	19.0	1,480	17.5	1,260	22.1	980	25.0	870
70°	16.8	1,260	19.3	1,060	21.0	990						
68°	18.3	910	20.7	760	22.2	720						

UNIT: kg CLASS OF CRANE ; C3

Outriggers extended to middle (4.6m)												
C	35.0m Boom (telescoping modeI) + 8.8m Jib						35.0m Boom (telescoping modeI) + 15.2m Jib					
	5° offset		25° offset		45° offset		5° offset		25° offset		45° offset	
	R	W	R	W	R	W	R	W	R	W	R	W
81°	7.3	4,500	10.3	3,580	12.1	2,470	9.1	2,600	14.0	1,690	17.6	1,170
80°	8.1	4,500	11.1	3,500	12.8	2,440	10.1	2,600	15.0	1,650	18.4	1,150
79°	8.9	4,500	11.8	3,420	13.5	2,400	11.0	2,600	15.8	1,610	19.1	1,130
78°	9.7	4,240	12.6	3,350	14.2	2,370	12.0	2,600	16.7	1,580	19.9	1,120
77°	10.3	3,720	13.3	3,010	14.9	2,340	12.9	2,560	17.5	1,540	20.6	1,100
76°	11.0	3,260	14.0	2,670	15.6	2,320	13.8	2,400	18.4	1,510	21.5	1,090
75°	11.7	2,850	14.7	2,370	16.3	2,100	14.5	2,080	19.2	1,480	22.2	1,080
73°	13.1	2,180	16.0	1,840	17.5	1,650	16.1	1,550	20.7	1,140	23.5	960
70°	15.2	1,400	18.0	1,210	19.3	1,100	18.4	930				
68°	16.5	1,000	19.1	860	20.5	790						

C: Boom angle  
 R: Load radius (m)  
 W: Rated lifting capacity



**Axle weight distribution chart**

		Kilograms		
		Total	Front	Rear
Base machine with 300L fuel * incl. 35 t hook block (optional)		41,500	16,000	25,500
Remove	1 5.6 t hook ball	-150	75	-225
	2 Top jib (6.4m)	-225	-200	-25
	3 Base jib (8.8m)	-500	-550	50
	4 Single top (Auxiliary boom sheave)	-50	-100	50
	5 Spare tire	-125	-110	-15
	6 Spare tire bracket	-25	-20	-5
	7 35 t hook block (optional)	-410	-700	290
	8 Counter weight and pins	-4,380	1,960	-6,340
Add:	1 60 t hook block (optional)	570	970	-400
	2 2 persons (driver and passenger)	150	200	-50
Permissible axle load		42,150	16,480	25,670

**UMAX**  
**SALE & RENTAL**

---

Specifications are subject to change without notice.




**TADANO**

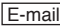
**TADANO LTD.** (International Division)

4-12, Kamezawa 2-chome,  
Sumida-ku, Tokyo 130-0014, Japan

Tel : 81-(0)3-3621-7750

Fax : 81-(0)3-3621-7785

 <http://www.tadano.co.jp/indexe.htm>

 [tdnihq@tadano.co.jp](mailto:tdnihq@tadano.co.jp)

---

Printed in Japan

GT-600E-2009-08-1