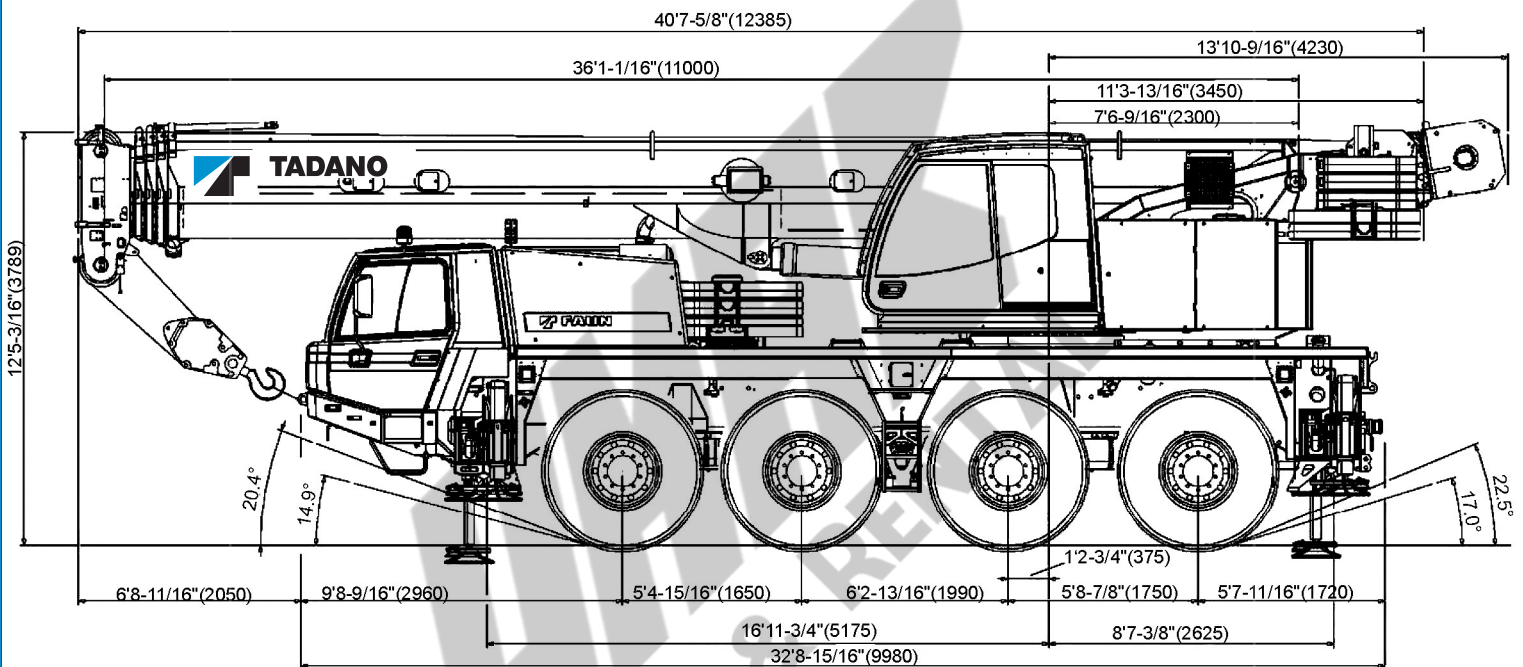


ATF65G-4

75 Ton Capacity (68.2 Metric Tons)

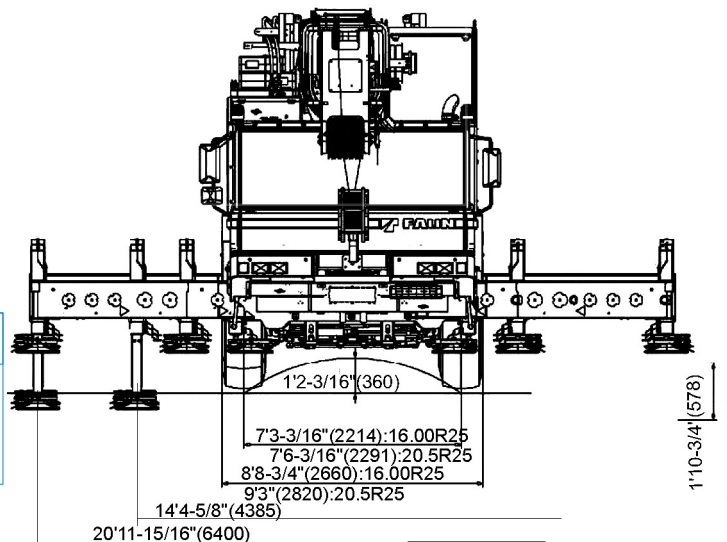
ALL TERRAIN CRANE

DIMENSIONS



TURNING RADIUS

Steering	Front wheel (8x6)	All wheel (8x8)
Carrier inside	16' 1-5/16" (4.91m)	11' 3-5/16" (3.437m)
Over carrier	32' 3-13/16" (9.85m)	27' 5-1/2" (8.37m)
Over boom	35' 5-3/16" (10.8m)	31' 3-9/16" (9.54m)
Over boom extension	37' 6" (11.43m)	33' 7/16" (10.07m)



1. CRANE CARRIER

1.1 FRAME

FAUN purpose built, 4 axle, box-type, torsion resistant, welded construction made of high tensile steel with integrated outrigger housings. Equipped with front and rear fenders, front and rear towing and tie-down lugs and access ladders.

1.2 OUTRIGGERS

Four point, fully hydraulic, horizontal and vertical motions controlled by electro-magnetic valves. Push button controls with level gauges from both sides of the carrier and from superstructure cab. Vertical cylinders with integral holding valves. Large sized floats can be stored on vertical cylinders or on carrier for road travel.
Outrigger base: length 25' 7-1/16"(7.80m), width 20' 11-15/16"(6.4m)
Mid. extension 14' 5-1/4"(4.4m)

1.3 CARRIER ENGINE

Mercedes Benz 6 cylinder water-cooled diesel engine, model OM 501 LA (Euromoto 3/ EPA 3), with hydrostatically driven fan and thermostatically controlled cooler.
Displacement 729 in³, Rating 394 hp at 1,800 rpm
Torque 1,369 ft-lbs at 1,080 rpm.

1.4 TRANSMISSION

ZF AS-Tronic 12AS2302 mechanical transmission with fully automatic gear shifting. 12 forward gears and 2 reverse gears.
Gear ratios: Forward: 12.33 / 9.59 / 7.44 / 5.78 / 4.57 / 3.55 / 2.70 / 2.10 / 1.63 / 1.27 / 1.00 / 0.78
Reverse: 11.41 / 8.88

1.5 TRANSFER CASE

Two stage Kessler transfer case is flange mounted to 3rd axle.
Reduction ratios: on-road 1.03/ off-road 1.90

1.6 DRIVE

8x6 : for on-road: 3rd and 4th axles are driven
for off-road: 2nd, 3rd and 4th axles are driven
8x8(OPTIONAL): all axles are driven

1.7 AXLES

1st axle : steered, non-driven
steered, driven with transverse differential lock (OPTION)
reduction : 7.29
2nd axle steered, driven with transverse differential lock
reduction : 7.29
3rd axle :steered, driven with integrated transfer case
reduction : 7.29
with longitudinal and transverse differential locks
reduction : 1.030
4th axle :steered, driven with transverse differential lock
reduction : 7.29

All steering knuckle bearings designed for minimum maintenance (yearly inspection).

1.8 SUSPENSION

Hydro-pneumatic, lockable with level adjustment. All axles have longitudinal and transverse trailing arms. With leveling adjustment and locked cylinders, the chassis can be tilted laterally and longitudinally by push buttons in the carrier cab which adjust the stroke of each individual suspension cylinder. All bearings are designed for minimum maintenance (yearly inspection).
Cylinder stroke: ± 3-15/16" (100mm)

1.9 BRAKE SYSTEM

Service : Dual circuit compressed air system with ABS.
Parking : Spring loaded type, acting on 2nd, 3rd and 4th axles.
Auxiliary : Intarder,engine exhaust brake and constant throttle engine brake system.

1.10 WHEELS

(8) 11.00-25 steel disc wheels with (8) 16.00R25 on / off-road profile tires and mud flaps.

1.11 STEERING SYSTEM

ZF Servocom-dual circuit hydraulic steering, mechanical steering of front two axles with hydraulic booster.
An emergency steering pump is flange-mounted to the transfer case.
In on-road mode, up to 15.5 mph (25 km/h), 4th axle is steered electronically along with the front two axles.
In construction site mode, four steering modes are available in 1st and 2nd gear : 8 wheel coordinated, 8 wheel crab, manual steering of the rear two axles and automatic steering of the rear two axles.
From the superstructure cab, the front two axles and 4th axle are steered by the left side control lever with same condition in on-road mode. The rear axles are steered by the right side control lever for all wheel, 8 wheel crab, manual and automatic steering of the rear two axles.

1.12 POWER TRAIN

Drive-shafts with cross-geared flanges designed for minimum maintenance.

1.13 FUEL TANK CAPACITY

87 gal (330 l) capacity with One-Key System, lockable fuel cap.

1.14 CARRIER CAB

Two man full width cab of composite structure (steel sheet metal and fiber glass), windshield of laminated safety glass with windshield wiper and washer, sliding side windows of hardened glass. Driver and co-driver seats adjustable and air-suspended with integrated 3 point safety belts and headrests. 2 rear-view mirrors (electrically adjustable), 1 wide angle mirror and additional curb mirror, all mirrors heated. Radio with CD player and connections for wireless. Engine dependent warm-water heater with defroster nozzles for windshield and cab floor.
Instrumentation includes speedometer, odometer, tachograph, rpm counter with hour meter, fuel level gauge, engine warning display for engine temperature, malfunction and diagnosis via the transmission display.
Control panel for electronic rear axle steering.
Air conditioner (OPTIONAL)

1.15 ELECTRICAL SYSTEM

24 volt DC system with 80 ampere 3-phase generator, and two 12 volt 170 Ah batteries.
Front lighting includes 2 low beam head lights, 2 high beam head lights, 2 directional indicators.
Rear lighting includes 2 rear combination panels each with directional indicator, brake light, fog light, reversing light and license plate light.
Side lighting includes 2 front directional indicators and reflectors on carrier.
Other equipment includes hazard warning lights, cab light, instrument panel light, signal horn and amber rotating beacon on cab roof and 4 working lights for outrigger extension area.
Lighting according to EEC regulations.

1.16 TOOLS AND ACCESSORIES

Special tool set, hazard warning light, hazard warning triangle, fire extinguisher and first aid kit.

1.17 PAINTING

Standard TADANO colors

2. SUPERSTRUCTURE

1.18 DIMENSIONS

Overall width : 8' 8-3/4" (2.66m) with 16.00R25 tires
 9' 3" (2.82m) with 20.5R25 tires (OPTIONAL)

Overall height : 12' 5-3/16" (3.79m) with 16.00/20.5R25 tires
 in travel condition. The overall height can
 be adjusted \pm 3-7/8" (100mm).

Overall length : 40' 7-5/8" (12.38m)

Carrier length : 32' 8-7/8" (9.98m)

Wheel base : 5' 4-15/16" + 6' 2-13/16" + 5' 8-7/8"
 (1.65m + 1.9m + 1.75m)

Track: 7' 3-3/16" (2.214m) with 16.00R25 tires
 7' 6-1/4" (2.291m) with 20.5R25 tires (OPTIONAL)

1.19 TRAVEL PERFORMANCE (according to DIN 70020)

Max. travel speed : 52.8 mph
 Min. travel speed at 800 rpm : 0.6 mph with the clutch closed
 Max. gradeability : 65 %

Tires 16.00/20.5R25, Total GVW 105,820 lbs				
Gear	Travel speeds (mph)		Gradeability (%)	
	* max. engine revs		off-road	on-road
1st	1.9	3.7	65	30
2nd	2.5	5.0	65	30
3rd	3.1	6.2	53	26
4th	4.3	8.1	39	19
5th	5.6	9.9	29	15
6th	6.8	12.4	22	11
7th	9.3	16.8	16	8
8th	11.8	21.1	12	6
9th	14.9	27.3	9	4
10th	19.3	35.4	7	3
11th	24.2	44.7	5	2
12th	31.1	52.8	4	1
1st reverse	1.9	3.7	59	28
2nd reverse	2.5	5.0	59	28

The gradeability is based on theoretical values and depends on ground conditions and the coefficient of friction.

1.20 CARRIER OPTIONAL EQUIPMENT

- 8 x8 drive
- Towing coupling (D value 100 kN) with light and brake connection
- 14.00R25 on/off road profile tires-overall width 8' 4-3/8" (2.55m)
- 20.5R25 on/off road profile tires-overall width 9' 3" (2.82m)
- Spare wheel and tire
- Spare wheel bracket (not in combination with tool box)
- Rear tool box (not in combination with spare wheel bracket)
- Spark arrester
- Central lubricating system
- Air conditioning
- Front fog lights
- Reversing video camera
- Additional hot water heater with engine pre-heat and window defroster (Webasto Thermo 90S)
- Additional hot air cab heater (Webasto Airtop 3500)
- Air and electrical lines and connectors to rear bumper for boom dolly
- Swing and boom elevation free for boom dolly

2.1 SUPERSTRUCTURE FRAME

Torsion resistant, all-welded structure of high tensile steel. Connected to carrier by single-row ball bearing slewing ring with external gearing providing 360° continuous rotation.

2.2 CRANE ENGINE

Mercedes Benz 4 cylinder water-cooled diesel engine, model OM 904 LA (EUROMOT 2A/EPA 2) with step-less control of engine rpm by foot pedal.
 Displacement 259 in³, Rating 122 hp at 2,300 rpm
 Torque 348 ft-lbs at 1,200 rpm
 Fuel tank capacity : 52.8 gal (200 l)

2.3 HYDRAULIC SYSTEM

Three circuit diesel hydraulic system with 1 double axial piston variable displacement pump (hydraulically controlled) with cumulative control for telescoping, derricking and hoisting and 1 double gear pump for slewing and pilot controls.

2.4 HYDRAULIC CONTROLS

Two joy-stick levers with 4 three-way electrically operated valves for independent simultaneous operation of all crane motions with infinite speed control.

2.5 TELESCOPIC BOOM

Five section box type construction of high tensile steel, consisting of 1 base section and 4 telescopic sections. The boom is extended by means of 1 double acting single stage hydraulic cylinder.
 All boom telescope sections can be extended and retracted fully automatically and locked in the selected working position. All telescope sections extendable under partial load.
 Total retracted length : 36' 1-1/16" (11.0m)
 Total extended length : 144' 4-5/16" (44.0m)
 Max. sheave height : 154' 2-3/8" (47.0M)
 Telescoping speed out : 325 sec.

2.6 BOOM EXTENSION

Double folding, swing around lattice type boom extension 29.5 ft (9.0M) - 52.5 ft (16.0m) long, offset 0°/20°/40°. Equipped with anti-two block system.

2.7 AUXILIARY LIFTING SHEAVE (SINGLE TOP) - OPTIONAL

Single sheave mounted to main boom head for single line operation (stowable). Equipped with anti-two block system.

2.8 BOOM HOIST

1 double acting hydraulic cylinder with integral holding valve.
 Boom elevation : -2° to +82°
 Boom elevation speed : 66 sec. normal speed
 33 sec. high speed (only derricking up)

2.9 MAIN WINCH

Axial piston constant displacement motor, grooved hoist drum, integral planetary gear, automatic hydraulically controlled spring-loaded multiple disc brake and integral free wheeling (no sagging of load by hoisting). Winch drive assembly connected to open hydraulic system. Wire rope with "Superstop" easy reeving system. Lower limit switch and drum turn indicator.
Drum diameter : 15.75" (400 mm)
Rope diameter : 0.63" (16 mm)
Rope length : 557.7' (170 m)
Max. line pull 1st layer : 11,690 lbf (52 kN)
Max. line speed 4th layer : normal 213 ft/min / high 426 ft/min

2.10 AUXILIARY WINCH - OPTIONAL

Axial piston constant displacement motor, grooved hoist drum, integral planetary gear, automatic hydraulically controlled spring-loaded multiple disc brake and integral free wheeling (no sagging of load by hoisting). Winch drive assembly connected to open hydraulic system. Wire rope with "Superstop" easy reeving system. Lower limit switch and drum turn indicator.
Drum diameter : 15.75" (400 mm)
Rope diameter : 0.63" (16 mm)
Rope length : 557.7' (170 m)
Max. line pull 1st layer : 11,690 lbf (52 kN)
Max. line speed 4th layer : normal 213 ft/min / high 426 ft/min

2.11 SLEWING GEAR

Constant displacement motor with two-stage planetary gear, foot actuated service brake and a parking brake. Slewing speed infinitely variable: 0 - 2.0 rpm

2.12 COUNTERWEIGHT

Total 33,069 lb divisible counterweight, assembled and disassembled by hydraulic cylinders controlled from crane cab.
Tail swing : 11.32' (3.45m)
13.93' (4.245m) with Aux. winch (OPTIONAL)

2.13 SUPERSTRUCTURE CAB

Spacious and ergonomic panoramic cab with sliding door and extra-large tinted glass windows, electrically controlled fold out front window with windshield washer and wiper, fixed cab roof window with armoured glass and fold out rear cab window, sun visor, cab light, tiltable cockpit with adjustable hydraulically cushioned seat with headrest, signal horn, radio with CD player, and connection for wireless (12 volt). Engine-independent (hot water) heater with defroster nozzles for windshield and cab floor (Webasto Thermo 50). Ergonomically positioned control elements and instrumentation for crane operation including fuel level gauge, engine cooling water temperature, hour meter and combined engine warning lamp. Travel controls for steering and driving in 1st forward and reverse gear only. Outrigger controls and level from superstructure cab. One-key system for the both carrier and crane cabs. Air conditioner (OPTIONAL)

2.14 ELECTRICAL SYSTEM

24 volt system with 80 A 3-phase alternator, 2 batteries each 12 V and 110 Ah, 1 rotating beacon on right-hand side of main winch, 2 working lights on cab front flap, 1 working light on boom base section and 2 side lights on boom head.

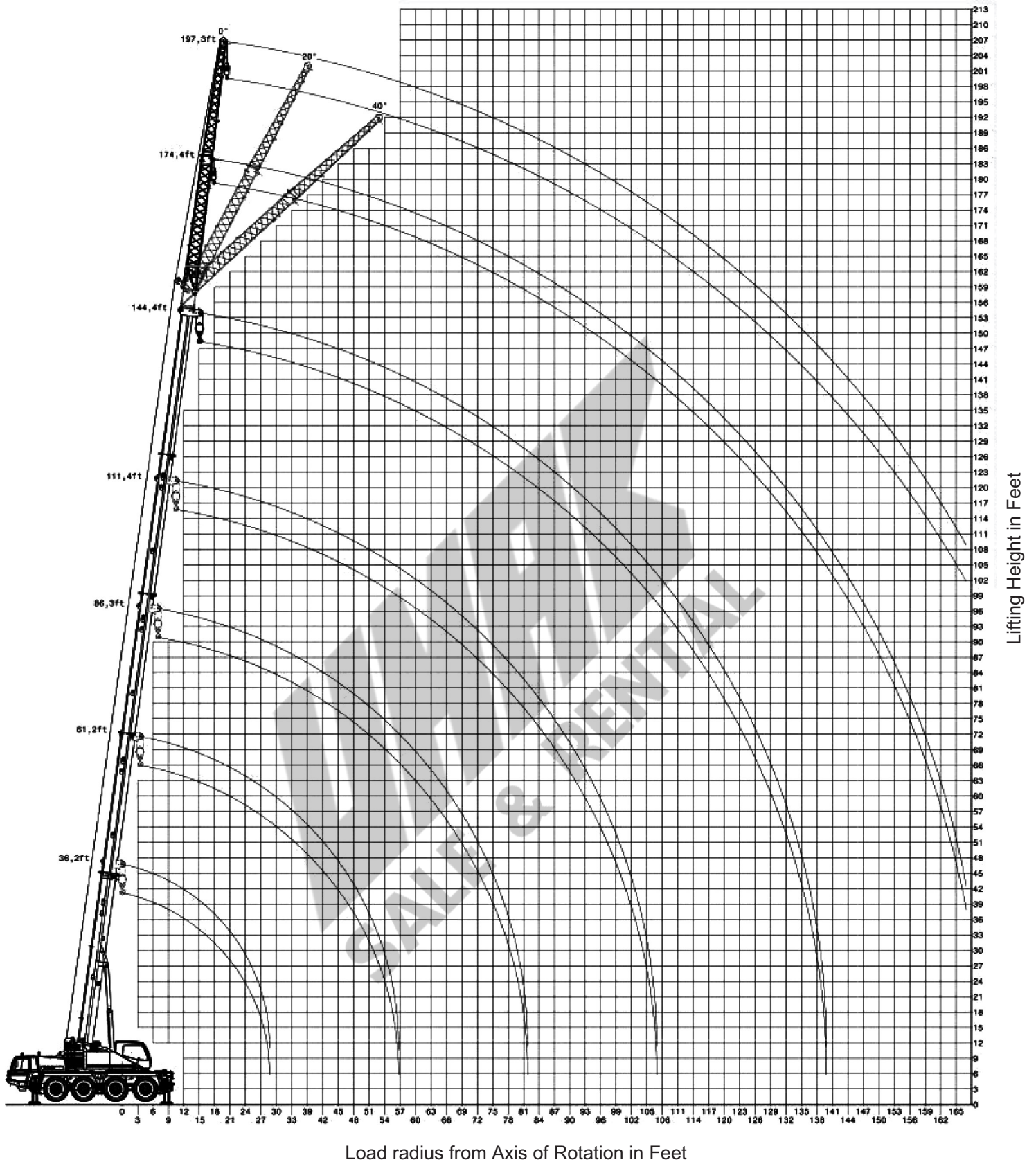
2.15 SAFETY DEVICES

Electronic load moment device (AML) with interpolation and automatic overload shut-off, hoist limit switch with shut-off, overload warning and load moment gauge. Digital display of boom angle, boom length, sheave height, working radius, hook load and further information. Working area limitation for boom angle, sheave height and working radius with automatic shut-off. Automatic speed reduction when approaching overload condition. Safety valves against pipe and hose rupture, holding valves on hydraulic cylinders.

2.16 SUPERSTRUCTURE OPTIONAL EQUIPMENT

1. Heavy duty 5.2' (1.6m) short jib
2. 6.6 ton headache ball
3. 35.3 ton three sheave hook block
4. 13.8 ton single sheave hook block
5. 55.1 ton five sheave hook block
6. Auxiliary winch with 0.63" (16mm) cable
7. Auxiliary lifting sheave (Single Top)
8. Central lubricating system
9. Additional oil cooler
10. Air conditioning
11. Electric fan in cab
12. Slewing area limitation with shut-off
13. Wind meter at Boom head/Jib
14. Aircraft warning light
15. Lift adjuster
16. Spark arrester
17. 33' (10m) cable for battery recharge and remote start connections
18. Two electrically movable working lights on the base boom (Not in combination with Boom Dolly)
19. 360° positive swing lock for NYC

ATF65G-4 WORKING RANGE CHART



Load radius from Axis of Rotation in Feet

NOTE: Boom and jib geometry shown are for unloaded condition and machine standing level on firm supporting surface. Boom deflection and subsequent radius and boom angle change must be accounted for when applying load to hook.

Counterweight 0 lbs

Working Radius (ft)	Lifting capacities in 1,000 lbs according per SAE J765 on telescopic boom On outriggers, 360° working area Outrigger base 21.00 ft																				Working Radius (ft)									
	Boom length (ft)																													
	36.1				48.6				48.6				61.4				61.4					73.8								
	L	L	L	L	L	L	L	L	L	L	L	L	L	L	L	L	L	L	L	L	L	L								
8	69	150.0*																					8							
9	68	133.4*																						9						
10	66	121.4	112.4	73	109.2	73	70.5	73	70.2	77	88.2	77	82.1	77	70.5	77	70.5	77	51.7					10						
12	62	101.6	96.3	69	96.0	69	70.5	69	65.8	75	87.5	75	75.4	75	70.5	75	69.9	75	47.5	78	69.9	78	77.1	78	70.5	78	70.5	78	49.7	12
14	58	86.7	83.3	67	83.2	67	70.5	67	61.5	73	78.6	73	69.7	73	70.5	73	66.1	73	44.0	76	65.0	76	71.3	76	68.9	76	69.7	76	45.9	14
16	54	75.3	72.8	64	71.0	64	70.2	64	57.8	70	64.3	70	63.5	70	65.9	70	61.5	70	40.9	74	57.5	74	59.5	74	60.5	74	63.0	74	42.5	16
18	50	64.4	63.6	62	60.2	62	61.8	62	54.6	69	54.3	69	54.8	69	57.0	69	56.0	69	38.3	73	48.8	73	50.6	73	51.4	73	54.3	73	39.8	18
20	45	53.8	54.5	59	50.5	59	52.1	59	51.2	67	45.5	67	45.9	67	48.1	67	50.1	67	35.8	72	40.8	72	42.5	72	43.4	72	46.2	72	37.3	20
25	30	35.1	34.5	52	34.3	52	35.7	52	36.6	61	32.1	61	32.5	61	34.4	61	36.2	61	31.1	67	28.4	67	30.0	67	31.0	67	33.4	67	32.2	25
30				43	23.1	43	24.2	43	25.1	55	22.5	55	22.9	55	24.4	55	26.0	55	26.2	63	21.6	63	21.6	63	23.8	63	25.9	63	27.3	30
35				33	16.8	33	17.9	33	18.7	49	16.3	49	16.6	49	18.1	49	19.5	49	19.7	58	15.5	58	16.8	58	17.4	58	19.4	58	20.6	35
40				17	12.5	17	13.3	17	14.2	42	11.9	42	12.4	42	13.7	42	15.0	42	15.3	53	11.3	53	12.4	53	13.1	53	14.9	53	15.9	40
45										34	8.8	34	9.4	34	10.7	34	11.8	34	12.2	48	8.1	48	9.4	48	10.0	48	12.0	48	12.9	45
50										21	6.5	21	7.2	21	8.4	21	9.7	21	9.9	41	5.9	41	6.9	41	7.7	41	9.7	41	10.6	50
55																				35	4.0	35	5.1	35	5.9	35	7.8	35	8.7	55
60																				26	2.5	26	3.7	26	4.4	26	6.2	26	7.2	60
65																				12	1.4	12	2.6	12	3.0	12	5.0	12	5.9	65
70																														70
75																														75
80																														80
85																														85
90																														90
95																														95
100																														100
110																														110
120																														120
130																														130
Telescoping sequence %																														
Tel. 1	0	0	0	0	46	0	0	46	0	0	0	0	0	93	46	46	0	0	Tel. 1											
Tel. 2	0	46	0	0	46	93	46	0	0	46	93	46	0	46	93	46	46	0	Tel. 2											
Tel. 3	0	0	46	0	0	0	46	46	0	0	0	46	46	0	0	46	46	46	Tel. 3											
Tel. 4	0	0	0	46	0	0	0	0	46	93	0	0	0	0	0	46	93	46	Tel. 4											

1) Over rear with superstructure pin engaged.
* With additional equipment.

Counterweight 0 lbs

Working Radius (ft)	Lifting capacities in 1,000 lbs according per SAE J765 on telescopic boom, On outriggers, 360° working area Outrigger base 14.44 ft							
	Boom length (ft)							
	36.1		48.6		61.4			
	L	L	L	L	L	L	L	
10	66	90.0	73	69.9	77	51.7		10
12	62	65.7	69	59.8	75	47.5		12
14	58	50.7	67	47.4	73	42.9		14
16	54	39.9	64	38.8	70	36.6		16
18	50	32.0	62	32.6	69	31.4		18
20	45	25.1	59	27.1	67	26.8		20
25	30	15.9	52	17.5	61	18.6		25
30			43	12.0	55	12.9		30
35			33	8.6	49	9.5		35
40			17	6.1	42	6.8		40
45					34	5.2		45
50					21	3.9		50
55								55
60								60
Telescoping sequence %								
Tel. 1	0	0	0	0				Tel. 1
Tel. 2	0	0	0	0				Tel. 2
Tel. 3	0	0	0	0				Tel. 3
Tel. 4	0	46	93					Tel. 4

Counterweight 33,069 lbs

Working Radius (ft)	Lifting capacities in 1,000 lbs according per SAE J765 on fly jib 29.5 ft																								Working Radius (ft)
	On outriggers, 360° working area																								
	Outrigger base 21.00 ft																								
	Boom length 36.1 ft						Boom length 36.1 ft to 98.8 ft						Boom length 36.1 ft to 136.5 ft						Boom length 36.1 ft to 144.4 ft						
Fly jib 29.5 ft offset						Fly jib 29.5 ft offset						Fly jib 29.5 ft offset						Fly jib 29.5 ft offset							
0°		20°		40°		0°		20°		40°		0°		20°		40°		0°		20°		40°			
L	R	L	R	L	R	L	R	L	R	L	R	L	R	L	R	L	R	L	R	L	R	L	R		
10	76	23.1																						10	
12	74	23.1																						12	
14	72	23.1	79	23.1																				14	
16	70	23.1	78	23.1																				16	
18	69	23.1	77	23.1																				18	
20	67	23.1	75	23.0	81	19.5	79	23.1																20	
25	62	23.1	69	21.1	76	18.2	77	22.6																25	
30	57	22.6	64	19.5	70	17.1	75	21.0	79	16.8														30	
35	51	19.8	58	18.3	64	16.1	73	19.1	77	15.7	80	13.7	78	13.2										35	
40	45	17.6	52	17.1	58	15.4	71	17.7	75	14.7	78	12.9	76	12.5	79	11.4								40	
45	38	16.0	45	16.1	50	14.9	68	16.3	72	13.8	75	12.3	74	11.6	77	10.9								45	
50	30	14.6	37	15.3																				50	
55																								55	
60																								60	
65																								65	
70																								70	
75																								75	
80																								80	
85																								85	
90																								90	
95																								95	
100																								100	
110																								110	
120																								120	
130																								130	
140																								140	
150																								150	
160																								160	
Telescoping sequence %																									
Tel. 1	0						93						93						100						Tel. 1
Tel. 2	0						46						93						100						Tel. 2
Tel. 3	0						46						93						100						Tel. 3
Tel. 4	0						46						93						100						Tel. 4

Counterweight 33,069 lbs

Working Radius (ft)	Lifting capacities in 1,000 lbs according per SAE J765 on fly jib 52.5 ft																								Working Radius (ft)
	On outriggers, 360° working area																								
	Outrigger base 21.00 ft																								
	Boom length 36.1 ft						Boom length 36.1 ft to 98.8 ft						Boom length 36.1 ft to 136.5 ft						Boom length 36.1 ft to 144.4 ft						
Fly jib 52.5 ft offset						Fly jib 52.5 ft offset						Fly jib 52.5 ft offset						Fly jib 52.5 ft offset							
0°		20°		40°		0°		20°		40°		0°		20°		40°		0°		20°		40°			
L	R	L	R	L	R	L	R	L	R	L	R	L	R	L	R	L	R	L	R	L	R	L	R		
10	79	17.4																						10	
12	78	17.4																						12	
14	76	17.4																						14	
16	75	17.4																						16	
18	74	17.1																						18	
20	73	16.7																						20	
25	70	15.2																						25	
30	67	13.8	77	11.2																				30	
35	63	12.6	74	10.5																				35	
40	59	11.6	70	9.6	79	8.6	74	10.6	80	10.1														40	
45	55	10.5	66	9.1	75	8.2	72	10.6	78	9.8														45	
50	51	9.7	61	8.6	70	7.7	70	10.6	76	9.4														50	
55	47	8.8	57	8.1	65	7.4	68	10.6	74	9.1	79	7.6	74	7.7	79	7.5								55	
60	42	8.1	52	7.7	60	7.2	67	10.5	73	8.8	78	7.5	73	7.7	78	7.2								60	
65	37	7.6	47	7.3	54	7.1	64	10.2	70	8.4	75	7.3	71	7.7	76	6.9								65	
70	31	7.1	41	7.1	46	6.9	62	9.7	68	8.1	73	7.1	70	7.3	75	6.5								70	
75	23	6.5	32	7.0	37	6.7	60	9.3	66	7.8	71	7.0	68	6.9	73	6.3	77	5.9						75	
80	14	6.0	21	6.8																				80	
85																								85	
90																								90	
95																								95	
100																								100	
110																								110	
120																								120	
130																								130	
140																								140	
150																								150	
160																								160	
Telescoping sequence %																									
Tel. 1	0						93						93						100						Tel. 1
Tel. 2	0						46						93						100						Tel. 2
Tel. 3	0						46						93						100						Tel. 3
Tel. 4	0						46						93						100						Tel. 4

Counterweight 33,069 lbs

Lifting capacities in 1,000 lbs according per SAE J765 on fly jib 29.5 ft
On outriggers, 360° working area
Outrigger base 14.44 ft

Working Radius (ft)	Boom length 36.1 ft				Boom length 36.1 ft to 98.8 ft				Boom length 36.1 ft to 136.5 ft				Boom length 36.1 ft to 144.4 ft				Working Radius (ft)										
	Fly jib 29.5 ft offset				Fly jib 29.5 ft offset				Fly jib 29.5 ft offset				Fly jib 29.5 ft offset														
	0°		20°		0°		20°		0°		20°		0°		20°												
	L	R	L	R	L	R	L	R	L	R	L	R	L	R													
10	76	23.1															10										
12	74	23.1															12										
14	72	23.1	79	23.1													14										
16	70	23.1	78	23.1					81	23.1							16										
18	69	23.1	77	23.1					80	23.1							18										
20	67	23.1	75	23.0	81	19.5	79	23.1									20										
25	62	23.1	69	21.1	76	18.2	77	22.6									25										
30	57	22.6	64	19.5	70	17.1	75	21.0	79	16.8							30										
35	51	19.8	58	18.3	64	16.1	73	19.1	77	15.7	80	13.7	78	13.2			35										
40	45	17.6	52	17.1	58	15.4	71	17.6	75	14.7	78	12.9	76	12.5	79	11.4	40										
45	38	16.0	45	16.1	50	14.9	68	15.8	72	13.8	75	12.3	74	11.6	77	10.9	45										
50	30	14.6	37	15.3				66	13.5	70	13.1	72	11.7	73	10.9	76	10.3	78	9.4	74	10.3	77	9.7	79	9.1	50	
55								63	11.3	67	11.9	70	11.2	71	10.2	74	9.8	76	9.0	72	9.7	75	9.2	77	8.6	55	
60								61	9.4	65	10.3	67	10.6	70	9.5	73	9.4	75	8.5	71	9.1	74	8.8	76	8.3	60	
65								58	8.1	62	8.8	64	9.4	68	8.3	70	8.9	72	8.2	69	8.3	72	8.4	74	8.0	65	
70								55	6.9	59	7.6	61	8.1	66	7.1	69	7.8	71	7.9	68	7.1	70	7.6	72	7.6	70	
75								52	5.8	56	6.5	58	6.8	64	6.0	67	6.7	69	7.1	66	6.0	68	6.7	70	7.0	75	
80								49	4.9	53	5.5	55	5.7	62	5.1	65	5.7	67	6.2	64	5.1	67	5.7	69	6.2	80	
85								46	4.0	50	4.7	52	4.9	60	4.4	63	4.9	65	5.3	62	4.2	65	4.9	67	5.3	85	
90								43	3.3	46	3.8	48	4.1	58	3.8	61	4.2	63	4.7	60	3.6	63	4.2	65	4.5	90	
95								40	2.8	43	3.2	44	3.3	56	3.1	59	3.5	61	4.0	58	3.0	61	3.5	63	3.9	95	
100								36	2.3	39	2.7	40	2.7	53	2.5	56	2.9	58	3.3	56	2.5	59	2.9	60	3.3	100	
110								26	1.4	29	1.7			49	1.6	52	1.9	53	2.1	52	1.5	49	1.9	56	2.1	110	
120																											120
130																											130
Telescoping sequence %																											
Tel. 1	0				93				93				100				Tel. 1										
Tel. 2	0				46				93				100				Tel. 2										
Tel. 3	0				46				93				100				Tel. 3										
Tel. 4	0				46				93				100				Tel. 4										

Counterweight 33,069 lbs

Lifting capacities in 1,000 lbs according per SAE J765 on fly jib 52.5 ft
On outriggers, 360° working area
Outrigger base 14.44 ft

Working Radius (ft)	Boom length 36.1 ft				Boom length 36.1 ft to 98.8 ft				Boom length 36.1 ft to 136.5 ft				Boom length 36.1 ft to 144.4 ft				Working Radius (ft)									
	Fly jib 52.5 ft offset				Fly jib 52.5 ft offset				Fly jib 52.5 ft offset				Fly jib 52.5 ft offset													
	0°		20°		0°		20°		0°		20°		0°		20°											
	L	R	L	R	L	R	L	R	L	R	L	R	L	R												
10	79	17.4																								10
12	78	17.4																								12
14	76	17.4																								14
16	75	17.4																								16
18	74	17.1																								18
20	73	16.7																								20
25	70	15.2																								25
30	67	13.8	77	11.2																						30
35	63	12.6	74	10.5																						35
40	59	11.6	70	9.6	79	8.6	74	10.6	80	10.1																40
45	55	10.5	66	9.1	75	8.2	72	10.6	78	9.8																45
50	51	9.7	61	8.6	70	7.7	70	10.6	76	9.4																50
55	47	8.8	57	8.1	65	7.4	68	10.6	74	9.1	79	7.6	74	7.7	79	7.5									55	
60	42	8.1	52	7.7	60	7.2	67	10.3	73	8.8	78	7.5	73	7.7	78	7.2									60	
65	37	7.6	47	7.3	54	7.1	64	8.8	70	8.4	75	7.3	71	7.7	76	6.9									65	
70	31	7.1	41	7.1	46	6.9	62	7.6	68	8.1	73	7.1	70	7.3	75	6.5									70	
75	23	6.5	32	7.0	37	6.7	60	6.5	66	7.5	71	7.0	68	6.5	73	6.3	77	5.9	69	6.2	74	6.1	78	5.6	75	
80	14	6.0	21	6.8																						80
85																										85
90																										90
95																										95
100																										100
110																										110
120																										120
130																										130
Telescoping sequence %																										
Tel. 1	0				93				93				100				Tel. 1									
Tel. 2	0				46				93				100				Tel. 2									
Tel. 3	0				46				93				100				Tel. 3									
Tel. 4	0				46				93				100				Tel. 4									

Counterweight 27,558 lbs

Working Radius (ft)	Lifting capacities in 1,000 lbs according per SAE J765 on fly jib 29.5 ft On outriggers, 360° working area Outrigger base 21.00 ft																								Working Radius (ft)			
	Boom length 36.1 ft						Boom length 36.1 ft to 98.8 ft						Boom length 36.1 ft to 136.5 ft						Boom length 36.1 ft to 144.4 ft									
	Fly jib 29.5 ft offset						Fly jib 29.5 ft offset						Fly jib 29.5 ft offset						Fly jib 29.5 ft offset									
	°	L	0°	L	20°	L	40°	°	L	0°	L	20°	L	40°	°	L	0°	L	20°	L	40°	°	L	0°		L	20°	L
10	76	23.1																									10	
12	74	23.1																										12
14	72	23.1	79	23.1																								14
16	70	23.1	78	23.1																								16
18	69	23.1	77	23.1																								18
20	67	23.1	75	23.0	81	19.5																						20
25	62	23.1	69	21.1	76	18.2																						25
30	57	22.6	64	19.5	70	17.1																						30
35	51	19.8	58	18.3	64	16.1																						35
40	45	17.6	52	17.1	58	15.4																						40
45	38	16.0	45	16.1	50	14.9																						45
50	30	14.6	37	15.3																								50
55																												55
60																												60
65																												65
70																												70
75																												75
80																												80
85																												85
90																												90
95																												95
100																												100
110																												110
120																												120
130																												130
140																												140
150																												150
Telescoping sequence %																												
Tel. 1	0						93						93						100						Tel. 1			
Tel. 2	0						46						93						100						Tel. 2			
Tel. 3	0						46						93						100						Tel. 3			
Tel. 4	0						46						93						100						Tel. 4			

Counterweight 27,558 lbs

Working Radius (ft)	Lifting capacities in 1,000 lbs according per SAE J765 on fly jib 52.5 ft On outriggers, 360° working area Outrigger base 21.00 ft																								Working Radius (ft)			
	Boom length 36.1 ft						Boom length 36.1 ft to 98.8 ft						Boom length 36.1 ft to 136.5 ft						Boom length 36.1 ft to 144.4 ft									
	Fly jib 52.5 ft offset						Fly jib 52.5 ft offset						Fly jib 52.5 ft offset						Fly jib 52.5 ft offset									
	°	L	0°	L	20°	L	40°	°	L	0°	L	20°	L	40°	°	L	0°	L	20°	L	40°	°	L	0°		L	20°	L
10	79	17.4																										10
12	78	17.4																										12
14	76	17.4																										14
16	75	17.4																										16
18	74	17.1																										18
20	73	16.7																										20
25	70	15.2																										25
30	67	13.8	77	11.2																								30
35	63	12.6	74	10.5																								35
40	59	11.6	70	9.6	79	8.6																						40
45	55	10.5	66	9.1	75	8.2																						45
50	51	9.7	61	8.6	70	7.7																						50
55	47	8.8	57	8.1	65	7.4																						55
60	42	8.1	52	7.7	60	7.2																						60
65	37	7.6	47	7.3	54	7.1																						65
70	31	7.1	41	7.1	46	6.9																						70
75	23	6.5	32	7.0	37	6.7																						75
80	14	6.0	21	6.8																								80
85																												85
90																												90
95																												95
100																												100
110																												110
120																												120
130																												130
140																												140
150																												150
Telescoping sequence %																												
Tel. 1	0						93						93						100						Tel. 1			
Tel. 2	0						46						93						100						Tel. 2			
Tel. 3	0						46						93						100						Tel. 3			
Tel. 4	0						46						93						100						Tel. 4			

Counterweight 13,228 lbs

Working Radius (ft)	Lifting capacities in 1,000 lbs according per SAE J765 on fly jib 29.5 ft																								Working Radius (ft)
	On outriggers, 360° working area																								
	Outrigger base 14.44 ft																								
	Boom length 36.1 ft						Boom length 36.1 ft to 98.8 ft						Boom length 36.1 ft to 136.5 ft						Boom length 36.1 ft to 144.4 ft						
Fly jib 29.5 ft offset						Fly jib 29.5 ft offset						Fly jib 29.5 ft offset						Fly jib 29.5 ft offset							
0°		20°		40°		0°		20°		40°		0°		20°		40°		0°		20°		40°			
°	L	°	L	°	L	°	L	°	L	°	L	°	L	°	L	°	L	°	L	°	L	°	L		
10	76	23.1																						10	
12	74	23.1																						12	
14	72	23.1	79	23.1																				14	
16	70	23.1	78	23.1			81	23.1																16	
18	69	23.1	77	23.1			80	23.1																18	
20	67	23.1	75	23.0	81	19.5	79	23.1																20	
25	62	23.1	69	21.1	76	18.2	77	21.4				80	13.2											25	
30	57	22.4	64	19.5	70	17.1	75	17.1	79	16.8		79	13.2				80	11.9						30	
35	51	17.5	58	18.0	64	16.1	73	13.9	77	15.2	80	13.7	78	12.5			78	11.9						35	
40	45	14.0	52	14.9	58	15.1	71	11.2	75	12.7	78	12.8	76	10.4	79	11.3		77	10.2	80	10.7			40	
45	38	11.5	45	12.2	50	12.6	68	9.0	72	10.4	75	11.3	74	8.7	77	9.8		75	8.5	78	9.5			45	
50	30	9.5	37	10.0			66	7.1	70	8.3	72	9.2	73	7.1	76	8.2	78	8.9	74	7.9	77	8.0	79	8.7	50
55							63	5.5	67	6.6	70	7.4	71	5.8	74	6.8	76	7.7	72	5.8	75	6.7	77	7.6	55
60							61	4.2	65	5.3	67	6.0	70	4.7	73	5.5	75	6.4	71	4.6	74	5.5	76	6.4	60
65							58	3.2	62	4.1	64	4.8	68	3.7	70	4.5	72	5.0	69	3.5	72	4.3	74	5.0	65
70							55	2.5	59	3.2	61	3.7	66	2.8	69	3.5	71	4.1	68	2.7	70	3.5	72	4.1	70
75							52	1.8	56	2.4	58	2.8	64	2.0	67	2.7	69	3.3	66	2.0	68	2.7	70	3.3	75
80							53	1.6	55	2.0	62	1.4	65	2.0	67	2.5	64	1.4	67	2.0	69	2.5	80	2.5	80
85							50	1.1	52	1.4			63	1.4	65	1.8			65	1.4	67	1.8			85
90																							65	1.1	90
95																									95
100																									100
Telescoping sequence %																									
Tel. 1	0						93						93						100						Tel. 1
Tel. 2	0						46						93						100						Tel. 2
Tel. 3	0						46						93						100						Tel. 3
Tel. 4	0						46						93						100						Tel. 4

Counterweight 13,228 lbs

Working Radius (ft)	Lifting capacities in 1,000 lbs according per SAE J765 on fly jib 52.5 ft																								Working Radius (ft)
	On outriggers, 360° working area																								
	Outrigger base 14.44 ft																								
	Boom length 36.1 ft						Boom length 36.1 ft to 98.8 ft						Boom length 36.1 ft to 136.5 ft						Boom length 36.1 ft to 144.4 ft						
Fly jib 52.5 ft offset						Fly jib 52.5 ft offset						Fly jib 52.5 ft offset						Fly jib 52.5 ft offset							
0°		20°		40°		0°		20°		40°		0°		20°		40°		0°		20°		40°			
°	L	°	L	°	L	°	L	°	L	°	L	°	L	°	L	°	L	°	L	°	L	°	L		
10	79	17.4																						10	
12	78	17.4																						12	
14	76	17.4																						14	
16	75	17.4																						16	
18	74	17.1																						18	
20	73	16.7					81	10.6																20	
25	70	15.2					79	10.6																25	
30	67	13.8	77	11.2			77	10.6				81	7.7				81	7.3						30	
35	63	12.6	74	10.5			75	10.6				79	7.7				80	7.3						35	
40	59	11.6	70	9.6	79	8.6	74	10.5	80	10.1			78	7.7			79	7.3						40	
45	55	10.5	66	9.1	75	8.2	72	9.4	78	9.8			76	7.7			77	7.3						45	
50	51	9.7	61	8.6	70	7.7	70	7.9	76	9.3			75	7.0			76	6.7						50	
55	47	8.8	57	8.1	65	7.4	68	6.4	74	8.3	79	7.6	74	6.1	79	7.4		75	5.9					55	
60	42	7.7	52	7.7	60	7.2	67	5.1	73	6.8	78	7.4	73	5.1	78	6.6		74	4.9	79	6.4			60	
65	37	6.7	47	7.3	54	7.1	64	4.1	70	5.5	75	6.7	71	4.1	76	5.6		72	3.9	77	5.4			65	
70	31	5.9	41	6.4	46	6.6	62	3.2	68	4.6	73	5.6	70	3.2	75	4.6		71	3.0	76	4.6	80	5.6	70	
75	23	5.1	32	5.5	37	6.1	60	2.5	66	3.7	71	4.6	68	2.5	73	3.7	77	4.8	69	2.3	74	3.7	78	4.8	75
80	14	4.5	21	4.6			58	1.9	63	2.9	68	3.8	67	1.8	72	2.9	75	4.0	68	1.6	73	2.9	76	4.0	80
85							55	1.4	61	2.2	65	2.9	65	1.1	70	2.2	73	3.1			71	2.2	74	3.1	85
90							59	1.7	63	2.4			69	1.7	72	2.6					70	1.7	73	2.5	90
95							57	1.2	60	1.8			67	1.2	70	2.0					68	1.2	71	1.9	95
100									57	1.1					68	1.3							70	1.4	100
Telescoping sequence %																									
Tel. 1	0						93						93						100						Tel. 1
Tel. 2	0						46						93						100						Tel. 2
Tel. 3	0						46						93						100						Tel. 3
Tel. 4	0						46						93						100						Tel. 4

Counterweight 0 lbs

		Lifting capacities in 1,000 lbs according per SAE J765 on fly jib 29.5 ft																							
		On outriggers, 360° working area																							
		Outrigger base 21.00 ft																							
Working Radius (ft)	Boom length 36.1 ft				Boom length 36.1 ft to 98.8 ft				Boom length 36.1 ft to 136.5 ft				Boom length 36.1 ft to 144.4 ft				Working Radius (ft)								
	Fly jib 29.5 ft offset				Fly jib 29.5 ft offset				Fly jib 29.5 ft offset				Fly jib 29.5 ft offset												
	°	0°	°	20°	°	40°	°	0°	°	20°	°	40°	°	0°	°	20°		°	40°	°	0°	°	20°	°	40°
	°	L			°	L			°	L			°	L			°	L			°	L			
10	76	23.1																						10	
12	74	23.1																						12	
14	72	23.1	79	23.1																				14	
16	70	23.1	78	23.1																				16	
18	69	23.1	77	23.1																				18	
20	67	23.1	75	23.0	81	19.5	79	23.1																20	
25	62	23.1	69	21.1	76	18.2	77	22.6																25	
30	57	22.6	64	19.5	70	17.1	75	20.3	79	16.8														30	
35	51	19.8	58	18.3	64	16.1	73	16.2	77	15.7	80	13.7	78	13.2										35	
40	45	17.2	52	16.9	58	15.4	71	13.2	75	14.5	78	12.9	76	12.1	79	11.4								40	
45	38	13.9	45	14.5	50	14.9	68	11.4	72	12.7	75	12.3	74	9.9	77	10.9								45	
50	30	11.6	37	12.2																				50	
55																								55	
60																								60	
65																								65	
70																								70	
75																								75	
80																								80	
85																								85	
90																								90	
95																								95	
100																								100	
Telescoping sequence %																									
Tel. 1				0							93														Tel. 1
Tel. 2				0							46														Tel. 2
Tel. 3				0							46														Tel. 3
Tel. 4				0							46														Tel. 4

Counterweight 0 lbs

		Lifting capacities in 1,000 lbs according per SAE J765 on fly jib 52.5 ft																							
		On outriggers, 360° working area																							
		Outrigger base 21.00 ft																							
Working Radius (ft)	Boom length 36.1 ft				Boom length 36.1 ft to 98.8 ft				Boom length 36.1 ft to 136.5 ft				Boom length 36.1 ft to 144.4 ft				Working Radius (ft)								
	Fly jib 52.5 ft offset				Fly jib 52.5 ft offset				Fly jib 52.5 ft offset				Fly jib 52.5 ft offset												
	°	0°	°	20°	°	40°	°	0°	°	20°	°	40°	°	0°	°	20°		°	40°	°	0°	°	20°	°	40°
	°	L			°	L			°	L			°	L			°	L			°	L			
10	79	17.4																						10	
12	78	17.4																						12	
14	76	17.4																						14	
16	75	17.4																						16	
18	74	17.1																						18	
20	73	16.7																						20	
25	70	15.2																						25	
30	67	13.8	77	11.2																				30	
35	63	12.6	74	10.5																				35	
40	59	11.6	70	9.6	79	8.6	74	10.6	80	10.1														40	
45	55	10.5	66	9.1	75	8.2	72	10.6	78	9.8														45	
50	51	9.7	61	8.6	70	7.7	70	9.6	76	9.4														50	
55	47	8.8	57	8.1	65	7.4	68	8.1	74	9.0	79	7.6	74	7.3	79	7.5								55	
60	42	8.1	52	7.7	60	7.2	67	6.4	73	8.3	78	7.5	73	6.4	78	7.2								60	
65	37	7.6	47	7.3	54	7.1	64	5.0	70	6.8	75	7.3	71	5.0	76	6.9								65	
70	31	6.9	41	7.1	46	6.9	62	4.1	68	5.6	73	6.7	70	4.1	75	5.7								70	
75	23	6.1	32	6.5	37	6.7	60	3.2	66	4.6	71	5.7	68	3.2	73	4.6	77	5.6						75	
80	14	5.3	21	5.5																				80	
85																								85	
90																								90	
95																								95	
100																								100	
Telescoping sequence %																									
Tel. 1				0							93														Tel. 1
Tel. 2				0							46														Tel. 2
Tel. 3				0							46														Tel. 3
Tel. 4				0							46														Tel. 4

WARNING AND OPERATING INSTRUCTIONS FOR LIFTING CAPACITIES ATF65G-4

GENERAL

- Total rated loads shown on the TADANO LOAD RATING CHART apply only to the machine as originally manufactured and normally equipped by TADANO. Modifications to the machine or use of optional equipment other than that specified can result in a reduction of capacity.
- Hydraulic cranes can be hazardous if improperly operated or maintained. Operation and maintenance of this machine must be in compliance with the information in the **Operation and Maintenance Manual** supplied with the machine. If this manual is missing, order a replacement through the distributor.
- The operator and other personnel associated with this machine shall fully acquaint themselves with the latest applicable American National Standards Institute (ANSI) safety standards for cranes.

SET UP

- Total rated loads shown on the TADANO LOAD RATING CHART are the maximum allowable crane capacities. They are based on the machine standing level on firm supporting surface under ideal job conditions. Depending on the nature of the supporting surface, it may be necessary to have structural supports under the outrigger floats to spread the load to a larger bearing surface.
- For on outrigger operation, outriggers shall be extended to the dimension according to the TADANO LOAD RATING CHART and secured by pins with tires free of supporting surface, before operating crane.

OPERATION

- Total rated loads with outriggers fully extended do not exceed 85% of the tipping loads. Total rated loads with outriggers half extended are determined by this formula:
total rated load = (tipping load - 0,1 tip reaction) / 1.25.
- The crane's structural steelwork is in accordance with DIN 15018, part 3. Design and construction of the crane comply with DIN 15018, part 2 and with F.E.M. regulations.
- Total rated loads include the weight of the main hook block, auxiliary hook ball, sling and other auxiliary lifting devices and all their weight shall be subtracted from the listed capacities to obtain the net load to be lifted.

Hookball / Hookblock (ton)	6.6			13.8			35.3			55.1			88.2		
No. of parts of line	1	2	3	4	5	6	7	8	9	10	11	12	13	14	15
Max. lifting capacity (ton)	4.8	9.7	13.8	19.4	24.5	29.4	34.3	39.2	44.1	49	53.9	58.8	63.7	68.6	75
Weight (lbs)	330		375		660			1,050			1,433				

- Total rated loads are based on freely suspended loads and make no allowance for such factors as the effect of wind, sudden stopping of loads, supporting surface conditions, operating speeds, side loads, etc. Side pull on the boom or jib extremely dangerous.
- Total rated loads do not account for wind on lifted load or boom. Total rated loads and boom length shall be appropriately reduced, when wind velocity is above 22 m/h (32 ft/sec.).
- Total rated loads at load radius shall not be exceeded. Do not tip the crane to determine allowable loads.
Do not operate at boom lengths beyond radius or boom angles
- where no capacities are shown. Crane may overturn without any load on the hook.
- Slewing of the superstructure is admissible only when the crane is supported on half or fully extended outriggers
- The lifting capacity ratings specified in the TADANO LOAD RATING CHART apply to the telescopic boom without fly jib fixed in transport position or working position. If the fly jib is secured to the telescopic boom in transport position or working position, the lifting capacities of the telescopic boom are reduced by the values specified below. The weight of the fly jib (2,500 lbs) is detected in terms of a load, and the load moment limiter will shut off earlier.
29.5 ft / 52.5 ft. fly jib, mounted in transport position :900 lbs
29.5 ft. fly jib, mounted to the boom head :2,200 lbs
52.5 ft. fly jib, mounted to the boom head :3,310 lbs

- When making lifts at a load radius not shown, use the next longer radius to determine allowable capacity.
- Load per part line should not exceed 10,000 lbs. for the main winch and for the auxiliary winch.
- Loaded boom angles are approximate. The boom angle before loading should be greater to account for deflection.
- Extension or retraction of the telescopic boom with loads may be attempted within the limits of the TADANO LOAD RATING CHART. The ability to telescope loads is limited by hydraulic pressure, boom angle, boom length, crane maintenance, etc.
- When erecting or stowing the extendible fly jib, be sure to retain it by hand or by other means to prevent its free movement. Use the Anti-Two Block (OVERWIND CUTOFF) disable switch
- When erecting or stowing the extendible fly jib and stowing the hook block. While the switch is pushed, the hoist will not stop, even when an overwind condition occurs.
- The working radius specified in the TADANO LOAD RATING CHARTS for the extendible fly jib apply only if the telescopic boom is extended according to the TADANO LOAD RATING CHARTS. If one or more elements of the telescopic boom are retracted partially or completely, the specified boom angles will be decisive in determining total rated lifting capacities.
- When lifting a load by using the extendible fly jib (auxiliary hoist) and telescopic boom (main hoist) simultaneously, do the following:
 - Select the correct program for the load moment device in accordance with jib length, jib offset angle, counterweight and outrigger base.
 - Before starting the operation, make sure that the weight of the load is within the total rated load for the extendible fly jib.
- Working with Single Top
Operation with the single top is allowed with the main winch and the auxiliary winch (2nd winch). The maximum allowed capacity is limited by the selected S.L.I. code for main boom operation according to existing counterweight and outrigger base at one side and by the single line pull which is limited by hydraulic pressure at the other side.

For operations with the single top mounted, use the TADANO LOAD RATING CHART for the telescopic boom in accordance with existing counterweight and outrigger base to find the total rated lifting capacity and also select the correct S.L.I. code for the telescopic boom in accordance with the existing counterweight and outrigger base. Find the total rated lifting capacity based on boom length and working radius. From that value, subtract 1,100 lbs and the weights of all lifting equipment used including hook block, sling and other auxiliary lifting devices. The result (<total rated lifting capacity> - <1,100 lbs> - <lifting equipment>) is the total rated lifting capacity for a single top lift.

Definitions

1. Load Radius:
Horizontal distance from a projection of the axis of rotation to supporting surface before loading to the center of the vertical hoist line or tackle with load applied. The deflection of the boom due to its deadweight and the rated load are taken into account.
2. Loaded Boom Angle:
The angle between the boom base section and the horizontal, after lifting the total rated load at the working radius.
3. Working Area:
Area measured in a circular arc about the centerline of rotation.
4. Freely Suspended Load:
Load hanging free with no direct external force applied except by the hoist line.
5. Side Load:
Horizontal side force applied to the lifted load either on the ground or in the air.

WARNING AND OPERATING INSTRUCTIONS FOR ON TIRE CAPACITIES

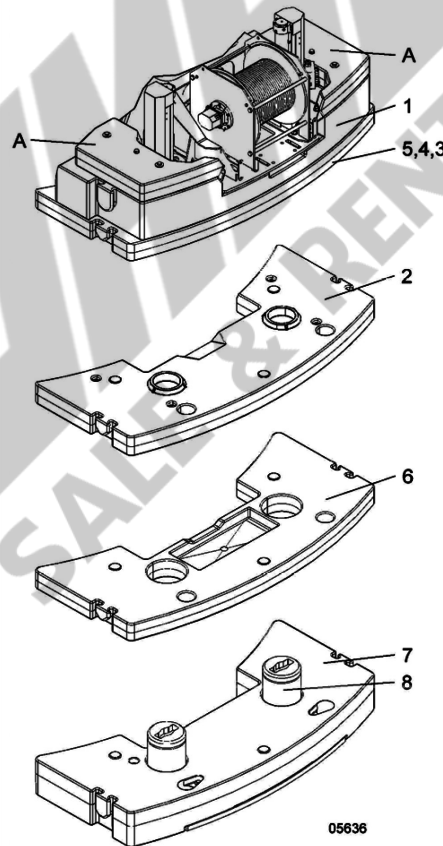
1. Total rated lifting capacities on tires are in pounds and do not exceed 75% of tipping loads as determined by test in accordance with SAE J-765.
2. Total rated lifting capacities shown in the TADANO LOAD RATING CHART are based on the condition that the crane is set on firm level supporting surfaces with suspension let down to block. Those above the bold lines are based on tire capacity and those below the bold lines on crane stability. They are based on actual load radius increased by tire deformation and boom deflection.

3. Total rated lifting capacities are based on proper tire inflation, capacity and condition. Damaged tires are hazardous to safe operation of the crane.
4. Tires shall be inflated to correct air pressure
Tire Air Pressure
14.00 R 25 - 145 psi (10 kgf/cm²)
16.00 R 25 - 130 psi (9 kgf/cm²)
20.5 R 25 - 100 psi (7 kgf/cm²)
5. On tire lifting with "fly jib" is not permitted.
6. When making a lift on tires, set the parking brake.
7. Traveling with the load is permitted only if the following conditions exist:
Machine is set on firm level supporting surface; tires inflated to specified pressure; boom must be centered over the rear of the machine; superstructure swing lock pin engaged; slewing brake engaged; maximum boom length not to exceed 61.4 ft; lifted load kept as close to the ground as possible and fastened to the chassis to prevent the lifted load from swinging or oscillating; travel slowly with a creeping speed not to exceed 1 mph; and especially avoid any abrupt steering, accelerating or braking.
If possible, extend the outriggers and lower the outrigger floats to just above ground level.
8. Do no operate the crane while carrying the load.

Safe Load Indicator

The Safe Load Indicator is intended as an aid to the operator. Under no condition should it be relied upon to replace use of Load Rating Charts and Operating Instructions. Sole reliance upon the Safe Load Indicator Aids in place of good operating practice can cause an accident. The operator must exercise caution to assure safety.

Mounting the 33,069 lbs (15 t) counterweight



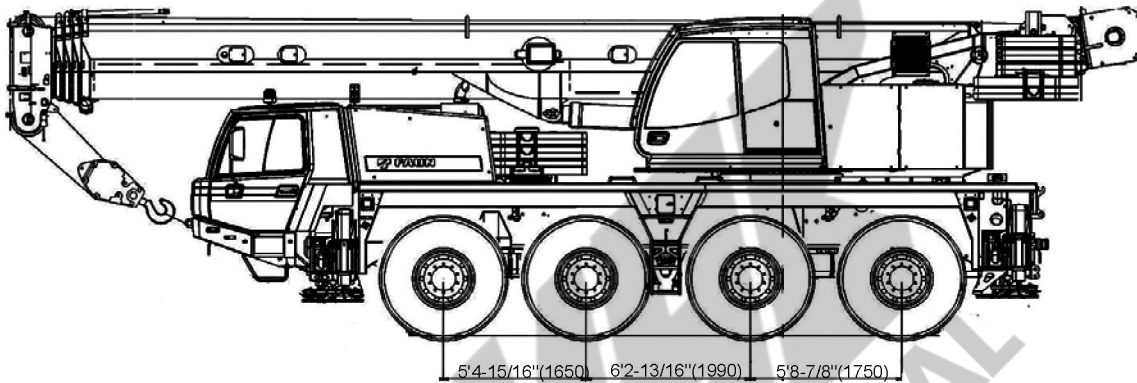
	A)*0.4t x2	1) 3.1t	2) 2.5t	3) 0.1t	4) 0.1t	5) 2.0t	6) 2.0t	7) 4.0t	8) 0.4t
0 lb									
13,230 lb	x	x			x	x			
27,562 lb	x	x		x	x	x	x	x	x
33,069 lb	x	x	x	x	x	x	x	x	x

* Counterweight A) is not in combination with Aux. winch.

ATF65G-4 Axle weight distribution chart

1) Normal traveling condition

	GVW	Axle 1	Axle 2	Axle 3	Axle 4
Base machine with 16.00R25 tires, 8x6 drive, no counterweight, 90% fuel	73,655	20,954	21,614	16,144	14,943
Add:	662	127	127	204	204
1. 35.3 ton hook block in storage box	386	74	74	119	119
2. 13.8 ton hook block in storage box	332	83	83	83	83
3. 6.6 ton hook ball in storage box	2,742	1,905	1,905	-534	-534
4. 29.5 ft/ 52.5 ft fly jib	726	877	877	-514	-514
5. 5.3 ft short jib	1,630	-741	-741	1,556	1,556
6. Auxiliary winch with cable	148	174	174	-100	-100
7. Auxiliary boom point sheave (single top)	88	-18	-18	62	62
8. Additional oil cooler	106	-1	-1	54	54
9. Air conditioning at crane cab	660	165	165	165	165
10. 20.5R25 tyres in lieu of 16.00R25	617	522	95	0	0
11. 8x8 drive	176	-67	-67	155	155
12. Towing attachment	276	-103	-103	241	241
13. Tool box at rear	1,728	-583	-583	1,447	1,447
A. Counterweight at upper (0.4t x2) * Not in combination with Aux.winch	6,904	-2,328	-2,328	5,780	5,780
1. Counterweight at upper (3.1t)	5,310	2,529	2,529	126	126
2. Counterweight at carrier (2.5t)	224	-75	-75	187	187
3. Counterweight at upper (0.1t)	224	-75	-75	187	187
4. Counterweight at upper (0.1t)	4,330	-1,462	-1,462	3,627	3,627
5. Counterweight at upper (2.0t)	4,412	2,100	2,100	106	106
6. Counterweight at carrier (2.0t)	8,818	4,184	4,184	225	225
7. Counterweight at carrier (4.0t)	926	455	455	8	8
8. Counterweight at carrier (0.4t)					



2) Traveling with boom dolly

	GVW	Axle 1	Axle 2	Axle 3	Axle 4	Dolly
Base machine with 16.00R25 tires, 8x6 drive, no counterweight, 90% fuel	73,655	18,228	18,896	13,345	12,143	11,043
Add:	662	127	127	204	204	0
1. 35.3 ton hook block in storage box	386	74	74	119	119	0
2. 13.8 ton hook block in storage box	332	83	83	83	83	0
3. 6.6 ton hook ball in storage box	2,742	-1,524	-1,524	2,895	2,895	0
4. 29.5 ft/ 52.5 ft fly jib	726	-776	-776	1,139	1,139	0
5. 5.3 ft short jib	1,630	966	966	-151	-151	0
6. Auxiliary winch with cable	148	0	0	0	0	148
7. Auxiliary boom point sheave (single top)	88	30	30	14	14	0
8. Additional oil cooler	106	17	17	36	36	0
9. Air conditioning at crane cab	660	165	165	165	165	0
10. 20.5R25 tyres in lieu of 16.00R25	617	522	95	0	0	0
11. 8x8 drive	176	-67	-67	155	155	0
12. Towing attachment	276	-103	-103	241	241	0
13. Tool box at rear	1,728	823	823	41	41	0
A. Counterweight at upper (0.4t x2) * Not in combination with Aux.winch	6,904	3,287	3,287	165	165	0
1. Counterweight at upper (3.1t)	5,310	2,529	2,529	126	126	0
2. Counterweight at carrier (2.5t)	224	106	106	6	6	0
3. Counterweight at upper (0.1t)	224	106	106	6	6	0
4. Counterweight at upper (0.1t)	4,330	2,062	2,062	103	103	0
5. Counterweight at upper (2.0t)	4,412	2,100	2,100	106	106	0
6. Counterweight at carrier (2.0t)	8,818	4,184	4,184	225	225	0
7. Counterweight at carrier (4.0t)	926	455	455	8	8	0
8. Counterweight at carrier (0.4t)						

