

KOBELCO

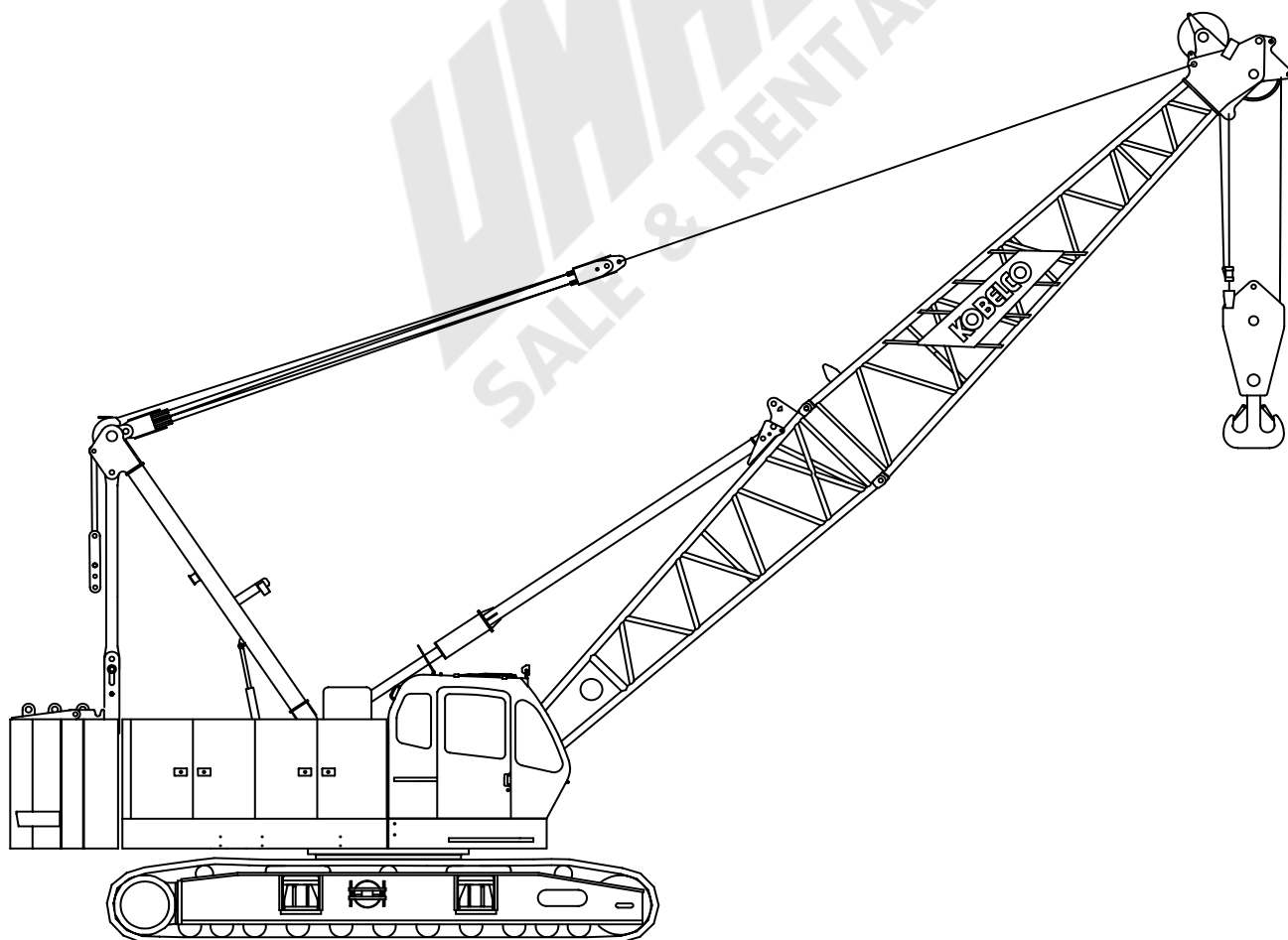
HYDRAULIC CRAWLER CRANE

CK1000-II

Max. Lifting Capacity: 100 US Tons

Max. Boom Length: 200 ft

Max. Boom + Jib Length: 190 ft + 60 ft



SPECIFICATIONS FOR CK1000-II CRAWLER CRANE

The Kobelco CK1000-II Crawler Crane is designed from the ground up for reliable operation, convenient maintenance and easy transport. Please consult your Kobelco distributor for additional information regarding specifications, operating parameters and maintenance requirements.

1. GENERAL DESCRIPTION

Type	Crawler mounted, fully revolving
Maximum lifting capacity	200,000 lbs (90,700 kg) (at 11' operating radius, with 40' boom)
Basic boom length	40' (12.2 m)
Maximum boom length	200' (61.0 m)
Basic boom & jib length	80' + 30' (24.4 m + 9.1 m)
Maximum boom & jib length	190' + 60' (57.9 m + 18.3 m)
Working weight	Approx. 179,700 lbs (81,500 kg)
Ground bearing pressure	Approx. 11.0 psi (75.6 kPa)
Gradeability	40 %

Calculations to determine working weight, ground pressure and gradeability include the weight of the upper and lower works of the crane, counterweights and carbody weights, 40' boom and hook block.

2. GENERAL DIMENSIONS

Height to top of gantry (lowered)	10' 11" (3.32 m)
Width of upper machine with operator's cab	10' 6" (3.20 m)
Radius of rear end (counterweight)	14' 4" (4.38 m)
Counterweight ground clearance	3' 8" (1.12 m)
Center of rotation to boom foot pin	3' 7" (1.10 m)
Height from ground to boom foot pin	5' 10" (1.77 m)
Height over gantry (raised)	20' 4" (6.20 m)
Overall length of crawler	20' 8" (6.30 m)
Center to center of tumblers	17' 10" (5.44 m)
Overall width of crawlers	16' 10" (5.14 m)
Show width	36" (0.91 m)
Ground clearance of carbody	15" (0.39 m)

3. WORKING SPEED

Hoist line speed (front and rear drum)	390 ~ 10 ft/min (120 ~ 3 m/min)
Lowering line speed (front and rear drum)	390 ~ 10 ft/min (120 ~ 3 m/min)
Boom hoist line speed	230 ~ 7 ft/min (70 ~ 2 m/min)
Boom lowering line speed	230 ~ 7 ft/min (70 ~ 2 m/min)
Swing speed	4.0 rpm (4.0 min ⁻¹)
Travel speed (High / Low)	1.18 / 0.75 mph (1.9 / 1.2 km/hour)

Line speed based on single line, no load and first layer of rope on the drum. Line speed is controllable by Dial-type Speed Control System.

4. UPPER MACHINERY

4.1 Power plant

Diesel engine, make and model	Mitsubishi 6D24-TLA2F (Comply with EPA "Tier 2")
No. of cylinders	6
Bore X stroke	5.13" X 5.90" (130 mm X 150 mm)
Cycles	4
Total displacement	729 cu.in (11,945 cm ³)
Rated output SAE GROSS	316 HP / 2,000 rpm (235 kW / 2,000 min ⁻¹)
Maximum torque	933 lbs-ft / 1,400 rpm (1,265 Nm / 1,400 min ⁻¹)
Starter	24 Volts / 7.0 kW
Alternator	24 Volts / 80 Amp
Batteries	Two 12 volt, 136 AH capacity parallel connected.

Radiator
Corrugated type core, thermostatically controlled.

Throttle
Twist grip type hand throttle, electrically controlled.

Air cleaner Dry type with replaceable paper element.

Fuel tank capacity 106 US gal. (400 liters)

Lube oil filter
Full flow and by-pass type with spin off type cartridge.

Fuel filter Heavy duty with spin off type cartridge.

Approximate fuel consumption
0.387 lb / HP-hr (226 g / kW-hr)
16.7 US gal. / hr at 100 % HP

4.2 Hydraulic pumps

All driven from heavy duty pump drive.	
Load hoist, boom hoist and propel	2 Piston pumps
Swing	1 Piston pump
Control system and auxiliary	2 Gear pumps
Break cooling system	2 Gear pumps

4.3 Counterweight and carbody weight

Counterweight (A)	1 x 26,630 lbs (12,070 kg)
Counterweight (B)	1 x 16,250 lbs (7,370 kg)
Counterweight (B)	1 x 20,610 lbs (9,350 kg)
Total weight	63,490 lbs (28,790 kg)
Carbody weight	2 x 7,360 lbs (3,340 kg)
Total weight	14,720 lbs (6,680 kg)

4.4 Gantry

This high folding type gantry is fitted with a sheave frame for boom hoist reeving. Hydraulic lift is standard. It provides full up, full down positions with linkage.

4.5 Operator's cab

Totally enclosed from weather, this full-vision cab has safety glass all around. The adjustable, high-backed seat with armrest is standard, allowing operators to customize the position. Auxiliary controls and instruments are on a side mounted console. A signal horn, windshield wipers, air conditioner are all standard features.

4.6 Controls

At operator's right are console-mounted adjustable short levers for the front and rear drum and the boom hoist control. Beside the operator's seat on the right are two short levers for propel control, individual speed shifts for front drum, rear drum and boom drum. At the operator's left are the console mounted swing lever, knobs for front and rear drum, boom drum pawls, engine start / stop key. A swing brake control switch and signal horn button are on the swing lever.

4.7 Electric system

All wiring corded for easy servicing, individual fused branch circuit.

4.8 Hydraulic system

Maximum pressure rating 4,640 psi (32.0 MPa)
Cooling Oil to air heat exchanger
Filtration
Full flow filters with replaceable paper elements
Reservoir capacity 100 US gal. (380 liters)

4.9 Boom hoist

Powered by hydraulic motor through planetary reducer.

Drum Single drum.
Grooved for 5/8" (16.0 mm) dia. wire rope.

Brake

A spring set, hydraulically-released, multiple-disc holding brake is mounted inside the boom hoist motor and is operated through a counter-balance valve. An external ratchet is fitted for locking the drum.

4.10 Front drum

Powered by hydraulic motor through planetary reducer.

Drum 24.1" (613 mm) P.C.D. X 24.5" (622 mm) LG.
Grooved for 1" (25.4 mm) dia. wire rope.

Brake

A spring set, hydraulically-released, multiple-disc holding brake is mounted inside the hoist motor and is operated through a counter-balance valve. An external ratchet is fitted for locking the drum.

Free-Fall (Standard)

Wet-type disk brake free-fall is mounted inside the drum.

4.11 Rear drum

Powered by hydraulic motor through planetary reducer.

Drum 24.1" (613 mm) P.C.D. X 24.5" (622 mm) LG.
Grooved for 1" (25.4 mm) dia. wire rope.

Brake

A spring set, hydraulically-released, multiple-disc holding brake is mounted inside the hoist motor and is operated through a counter-balance valve. An external ratchet is fitted for locking the drum.

Free-Fall (Standard)

Wet-type disk brake free-fall is mounted inside the drum.

4.12 Third drum (Optional)

Powered by hydraulic motor through planetary reducer.

Drum 24.1" (613 mm) P.C.D. X 24.5" (622 mm) LG.
Grooved for 1" (25.4 mm) dia. wire rope.

Brake

A spring set, hydraulically-released, multiple-disc holding brake is mounted inside the hoist motor and is operated through a counter-balance valve. An external ratchet is fitted for locking the drum.

Free-Fall (Standard for third drum)

Wet-type disk brake free-fall is mounted inside the drum.

4.13 Swing

Swing unit

Hydraulic motor driving through planetary reducer to output swing pinion for 360 degree rotation.

Swing brake

Spring set hydraulically released multiple disk brake mounted on swing motor.

Swing circle

Single row ball bearing with internal, integral swing gear.

Swing Lock 2 Position lock for transportation.

5. LOWER MACHINERY

5.1 Carbody

The durable carbody features steel welded construction with extendible axles.

5.2 Crawler

Crawler assemblies can be hydraulically extended for wide-track operation or retracted for transportation. Crawler belt tension adjusted with hydraulic jack and maintained by shims between the idler block and frame.

5.3 Crawler drive

The independent hydraulic propel drive is built into each crawler side frame. Each drive consists of a hydraulic motor driving a propel sprocket through a planetary gear box. The hydraulic motor and gearbox are built into the crawler side frame within the shoe width.

5.4 Crawler brakes

Spring set, hydraulically released, multiple disk-type parking brakes are built into each propel drive.

5.5 Steering mechanism

The hydraulic propel system provides both skid steering (driving one track only) and counter-rotating steering (driving each track in opposite direction).

5.6 Crawler shoes

66 shoes, 36" (914 mm) wide each crawler.

5.7 Track rollers

The track rollers are sealed for maintenance-free operation.

6. CRANE ATTACHMENTS

6.1 Crane boom

The welded lattice construction uses tubular, high-tension steel chords with pin connections between sections.

Maximum boom length	200' (61.0 m)
Basic boom length	40' (12.2 m)
Boom base section	19' (5.8 m)
Boom tip section	21' (6.4 m)

6.2 Boom insert (Optional)

An optional boom insert is available to provide extension capabilities. It also has welded lattice construction with tubular, high-tension steel chords and pin connections.

Boom insert	10' (3.1 m), 20' (6.1 m), 40' (12.2 m)
--------------------	----------------------------------------

6.3 Jib (Optional)

The optional jib employs welded lattice construction with tubular, high-tension steel chords with pin connections between sections.

Maximum jib length	60' (18.3 m)
Basic jib length	30' (9.1 m)
Jib base section	15' (4.6 m)
Jib tip section	15' (4.6 m)
Jib insert	10' (3.1 m), 20' (6.1 m)

Jib inserts are available to provide extension capabilities. They also have welded lattice construction with tubular, high-tension steel chords and pin connections. Jib is extendible on booms of 80' (24.4 m) through 190' (57.9 m)

6.4 Auxiliary sheave (Optional)

Auxiliary sheave is extendible on booms of 40' (12.2 m) to 190' (57.9 m).

6.5 Boom hoist reeving

Twelve (12) parts of 5/8" (16.0 mm) dia. high strength wire rope.

6.6 Boom backstops

Telescopic type with spring bumper.

7. AUXILIARY EQUIPMENT

7.1 Lights

Tow (2) Front flood lights
One (1) Cab inside light

7.2 Gauges and warning display

Gauges

One (1) Tachometer
One (1) Hour meter
One (1) Fuel gauge
One (1) Water temperature gauge for engine

Warning display

Battery charge
Engine oil pressure
Air cleaner
Engine oil filter
Control main pressure
Hydraulic oil temperature

7.3 Others

Air conditioner
Drum turn indicator (front and rear drum)
Foot acceleration pedal
Electric fuel pump
Counterweight self-removal device

8. SAFETY

Function lock lever
Boom over hoist limit switch
Signal horn
Front and rear hoist drum lock
Swing alarm (Buzzer and lamps)
Over load preventive device (Load Moment Indicator)
Hook over hoist shut off (Anti-two-block)
Boom angle indicator
Boom hoist drum lock
Swing lock
Boom backstops

9. TOOLS AND ACCESSORIES

A set of tools and accessories are furnished.

10. OPTIONAL EQUIPMENT

Hydraulic tagline
Travel kit
Third drum
Pillow plate for boom self-erection
Custom color

All specifications are subject to change without notice.

CK1000-II Winch Performance



Note:

Line speed and line pull based on Mitsubishi 6D24TLA at 2,000 rpm.

Line speed and line pull based on single line. Line pull is not based on wire rope strength.

Front & Rear Drum

Wire Rope Diameter = 1"

Rated Line Pull = 25,100 lbs (11,380 kg)

Maximum Line Pull = 44,100 lbs (20,000 kg)

Total Storage Capacity = 1,023 ft (312 m)

		Line speed (ft/min)					
Layer		1	2	3	4	5	6
0		394	420	449	476	505	
5,000		394	420	449	476	505	
10,000		390	420	446	476	502	
Line Pull (lbs)	15,000	381	381	381	381	381	storage only
	20,000	285	285	285	285	285	
	25,100	226	226	236	233	230	
	30,000	194	190	184	177	164	
	35,000	157	148	138	135		
	44,100	105					
Storage Capacity (ft)		145	155	165	176	186	196

Third Drum (for Load hoist)

Wire Rope Diameter = 1"

Rated Line Pull = 25,100 lbs (11,380 kg)

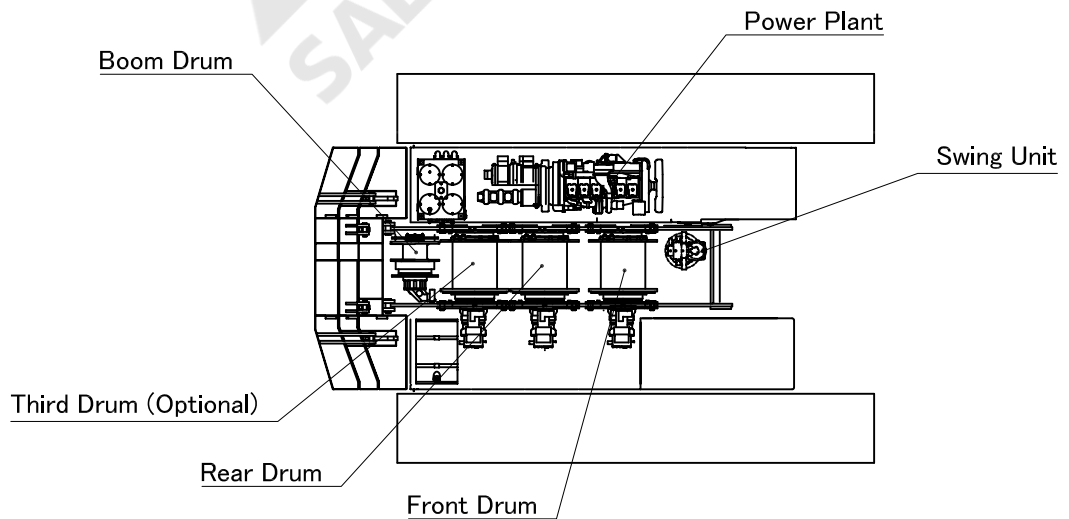
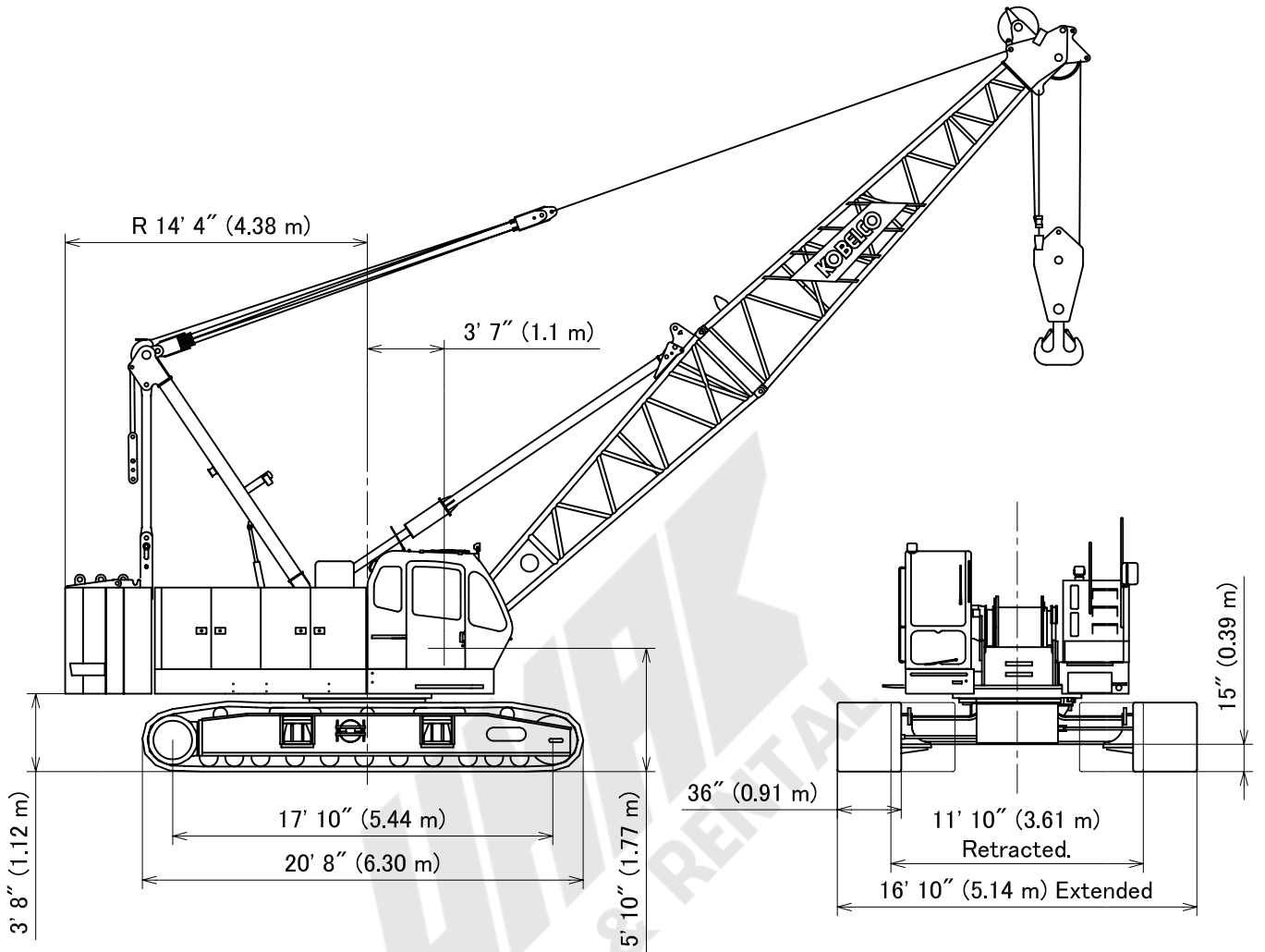
Maximum Line Pull = 44,100 lbs (20,000 kg)

Total Storage Capacity = 1,023 ft (312 m)

		Line speed (ft/min)					
Layer		1	2	3	4	5	6
0		410	436	466	495	525	
5,000		406	434	463	492	520	
10,000		356	356	356	356	356	
Line Pull (lbs)	15,000	237	237	237	237	237	storage only
	20,000	178	178	178	178	178	
	25,100	142	142	142	142	142	
	30,000	119	119	119	127	134	
	35,000	105	112	118	125		
	44,100	103					
Storage Capacity (ft)		145	155	165	176	186	196

Use	Construction	No load diameter	Length	Safety Factor	Required minimum breaking strength
Front drum	6 x 25 Filler IWRC Right hand lay, Regular lay	1.015" to 1.035" (25.79 mm to 26.28 mm)	869' (265 m)	3.5: 1	87,850 lbs (39,850 kg)
Rear drum	6 x 25 Filler IWRC Right hand lay, Regular lay	1.015" to 1.035" (25.79 mm to 26.28 mm)	673' (205 m)	3.5: 1	87,850 lbs (39,850 kg)
Third drum (Optional)	6 x 25 Filler IWRC Right hand lay, Regular lay	1.015" to 1.035" (25.79 mm to 26.28 mm)	869' (265 m)	3.5: 1	87,850 lbs (39,850 kg)
Boom drum	6 x 31 Warrington seal Right hand lay, Regular lay	0.639" to 0.653" (16.24 mm to 16.58 mm)	492' (150 m)	3.5: 1	41,230 lbs (18,700 kg)

CK1000-II General Dimensions



CK1000-II Dimensions and Weight



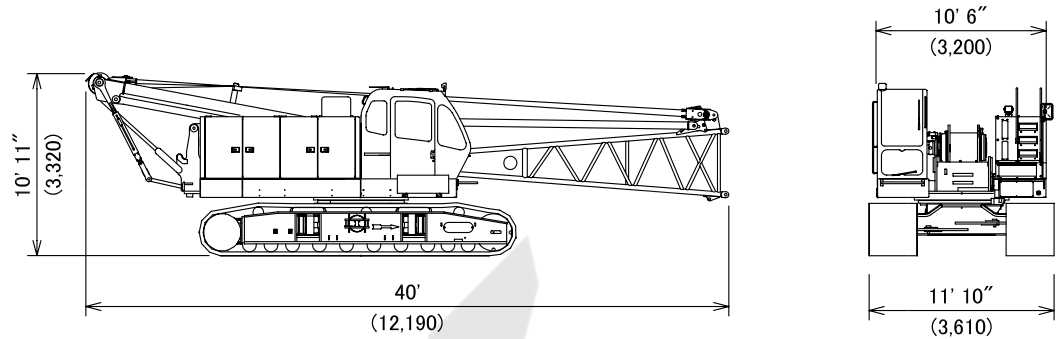
Dimensions: ft-in (mm) Weight: lbs (kg)

When installing optional third drum, add 5,850 lbs (2,650 kg)

Base Machine -1

Weight: 99,650 lbs (45,200 kg)

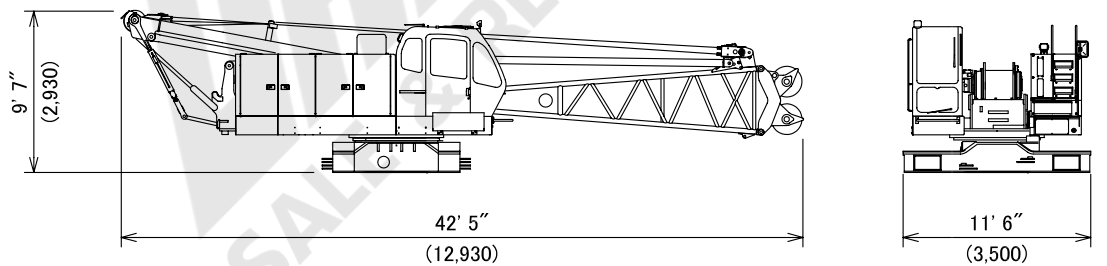
Boom base, Gantry, Crawler, Wire ropes (Front, Rear and Boom hoist drums)



Base Machine -2

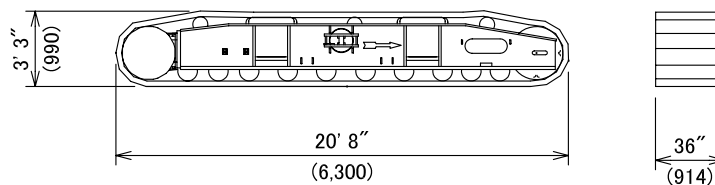
Weight: 71,100 lbs (32,250 kg)

Boom base, Auxiliary sheave for self-assembly, Wire ropes (Front, Rear and Boom hoist drums)



Crawler

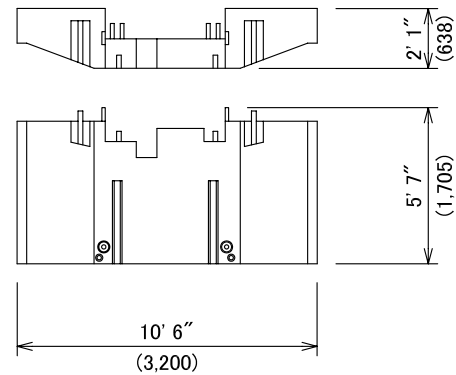
Weight: 16,540 lbs (7,500 kg)



Dimensions: ft-in (mm) Weight: lbs (kg)

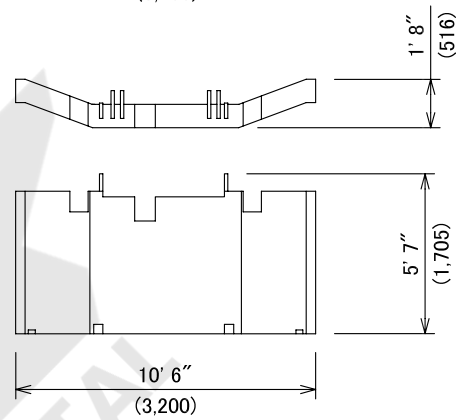
Counterweight (A)

Weight: 26,630 lbs (12,070 kg)



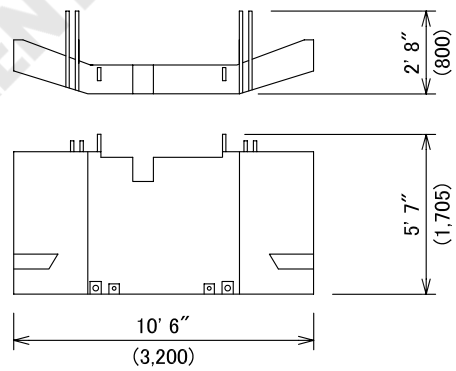
Counterweight (B)

Weight: 16,250 lbs (7,370 kg)



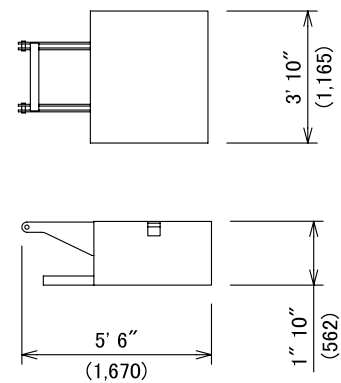
Counterweight (C)

Weight: 20,610 lbs (9,350 kg)



Carbody Weight

Weight: 7,360 lbs (3,340 kg)



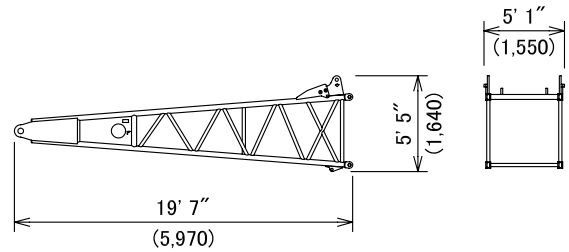
CK1000-II Dimensions and Weight



Dimensions: ft-in (mm) Weight: lbs (kg)

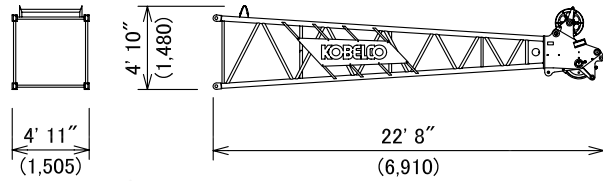
Boom Base

Weight: 3,250 lbs (1,475 kg)



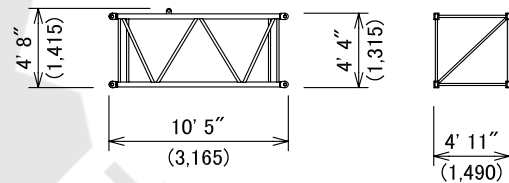
Boom Tip

Weight: 2,730 lbs (1,240 kg)
Includes cable roller and guy lines.



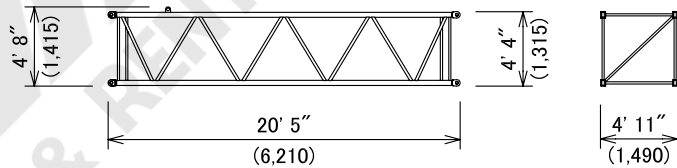
10 ft (3.0 m) Insert Boom

Weight: 830 lbs (380 kg)
Includes cable roller and guy lines.



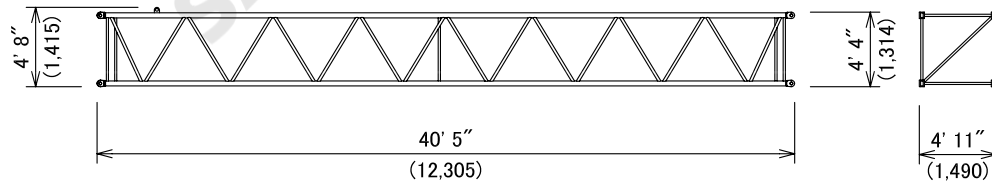
20 ft (6.1 m) Insert Boom

Weight: 1,350 lbs (610 kg)
Includes cable roller and guy lines.



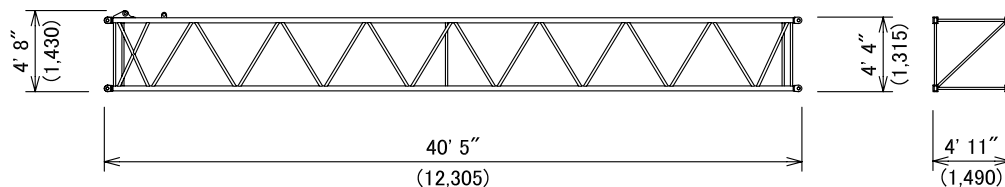
40 ft (12.2 m) Insert Boom

Weight: 2,410 lbs (1,090 kg)
Includes cable roller and guy lines.



40 ft (12.2 m) Insert Boom (with lug)

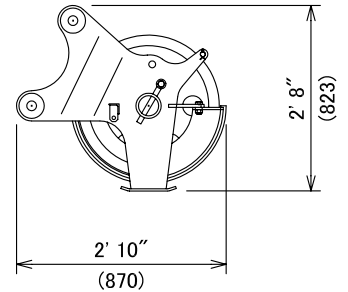
Weight: 2,440 lbs (1,110 kg)
Includes cable roller and guy lines.



Dimensions: ft-in (mm) Weight: lbs (kg)

Auxiliary Sheave

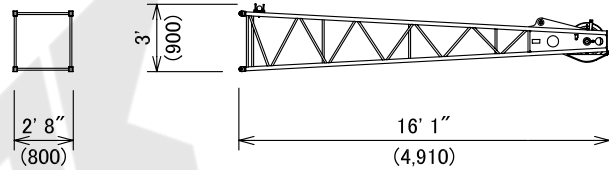
Weight: 430 lbs (195 kg)



Jib Tip

Weight: 620 lbs (280 kg)

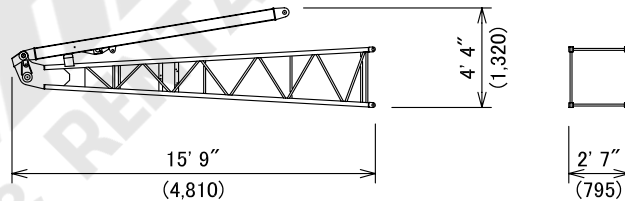
Includes cable roller.



Jib Base and Strut

Weight: 1,310 lbs (590 kg)

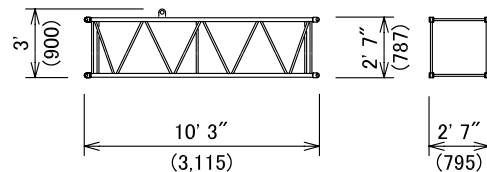
Includes guy line.



10 ft (3.0 m) Insert Jib

Weight: 290 lbs (130 kg)

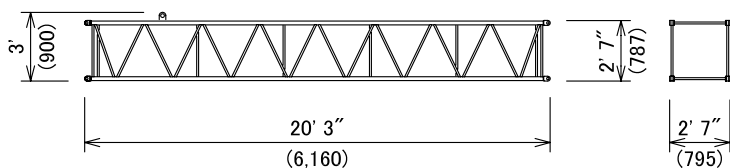
Includes cable roller and guy line.



20 ft (6.1 m) Jib Insert

Weight: 490 lbs (220 kg)

Includes cable roller and guy line.



Shipping plan for 200 ft Boom and 60 ft Jib

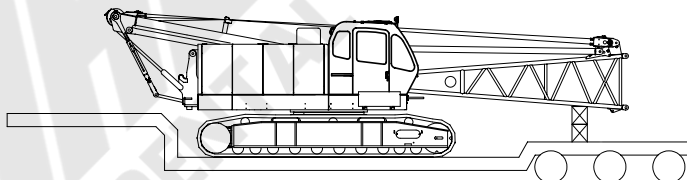
Description of Item	Weight		Trailer Loads			
	lbs	(kg)	#1	#2	#3	#4
Base Machine with Boom Base and Crawlers*	99,650	(45,200)	1			
Counterweight (A)	26,630	(12,070)		1		
Counterweight (B)	16,250	(7,370)			1	
Counterweight (C)	20,610	(9,350)			1	
Carbody Weight	7,360	(3,340)		2		
10 ft Insert Boom and Guy Line	830	(380)		1	1	
20 ft Inset Boom and Guy Line	1,350	(610)				1
40 ft Insert Boom and Guy Line	2,410	(1,090)		1	1	
40 ft Insert Boom (w/ Lug) and Guy Line	2,440	(1,110)				1
Boom Tip and Guy Line	2,730	(1,240)				1
Jib Base and Guy Line	1,310	(590)			1	
10 ft Inset Jib and Guy Line	290	(130)			1	
20 ft Inset Jib and Guy Line	490	(220)			1	
Jib Tip	620	(280)			1	
Approx. Total Shipping Weight		lbs (kg)	99,650 (45,200)	44,590 (20,220)	42,810 (19,410)	6,520 (2,960)

* Third drum is not included.

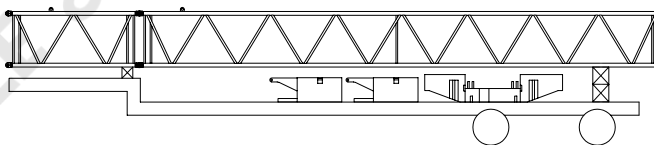
Loads for transportation were targeted at 45,000 lbs, 8' 6" wide, 48' long and 13' 6" high from ground.

This may vary depending on truck/trailer weight, style of trailer and state law.

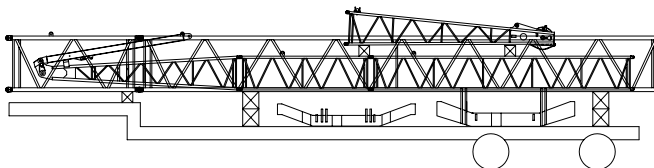
Trailer #1



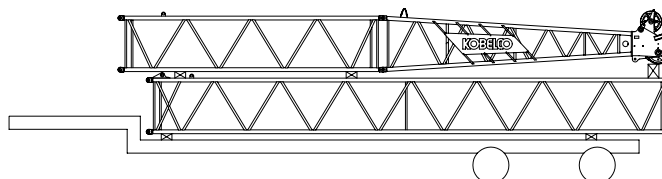
Trailer #2

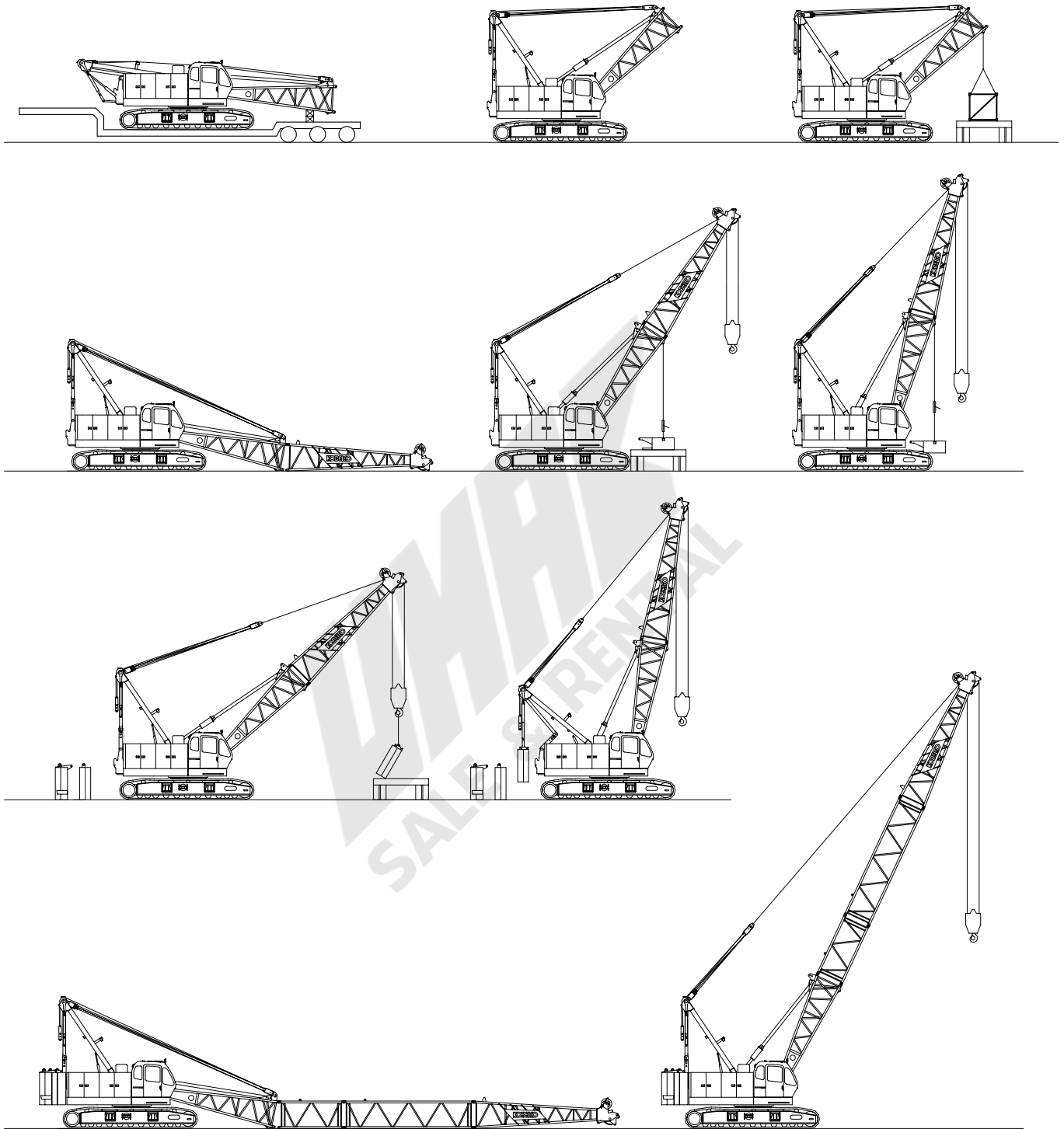


Trailer #3

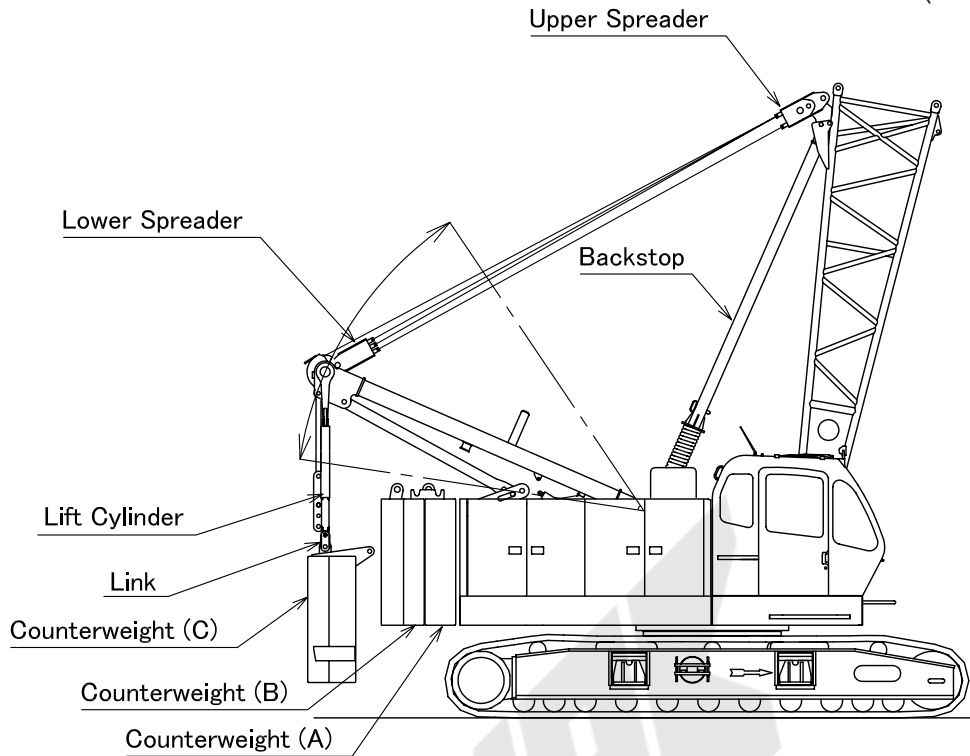


Trailer #4



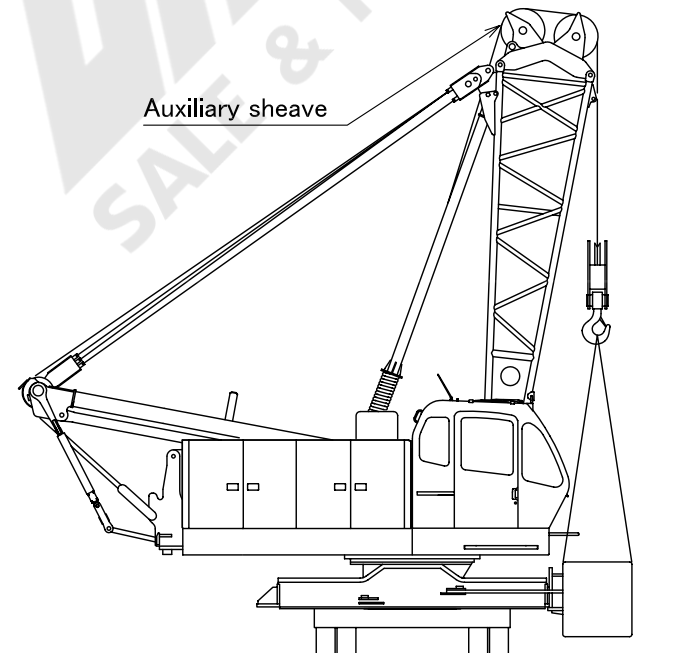


(Standard equipment)



Crawler Frame Self-Removal Device

(Standard equipment)



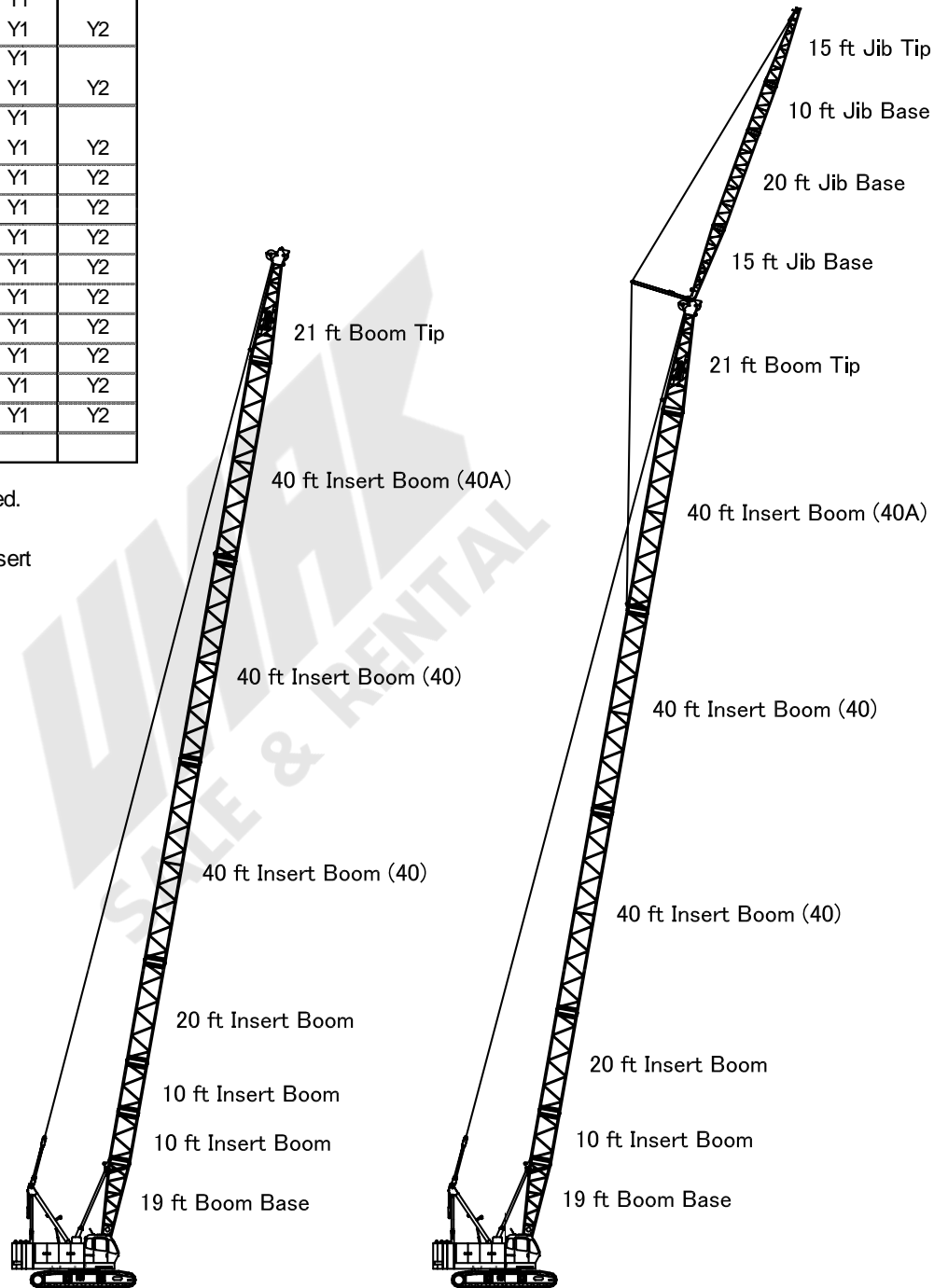
Boom Arrangement

Boom	Insert Boom				Aux. Sheave	Fixed Jib
	10 ft	20 ft	40ft (40)	40 ft (40A)		
40 ft	-	-	-	-	Y1	
50 ft	1	-	-	-	Y1	
60 ft	2	-	-	-	Y1	
70 ft	1	1	-	-	Y1	
80 ft	2	1	-	-	Y1	
	-	-	-	1	Y1	Y2
90 ft	1	2	-	-	Y1	
	1	-	-	1	Y1	Y2
100 ft	2	2	-	-	Y1	
	2	-	-	1	Y1	Y2
110 ft	1	1	-	1	Y1	Y2
120 ft	2	1	-	1	Y1	Y2
130 ft	1	2	-	1	Y1	Y2
140 ft	2	2	-	1	Y1	Y2
150 ft	1	1	1	1	Y1	Y2
160 ft	2	1	1	1	Y1	Y2
170 ft	1	2	1	1	Y1	Y2
180 ft	2	2	1	1	Y1	Y2
190 ft	1	1	2	1	Y1	Y2
200 ft	2	1	2	1		

Jib Arrangement

Jib	Insert Jib	
	10 ft	20 ft
30 ft	-	-
40 ft	1	-
50 ft	-	1
60 ft	1	1

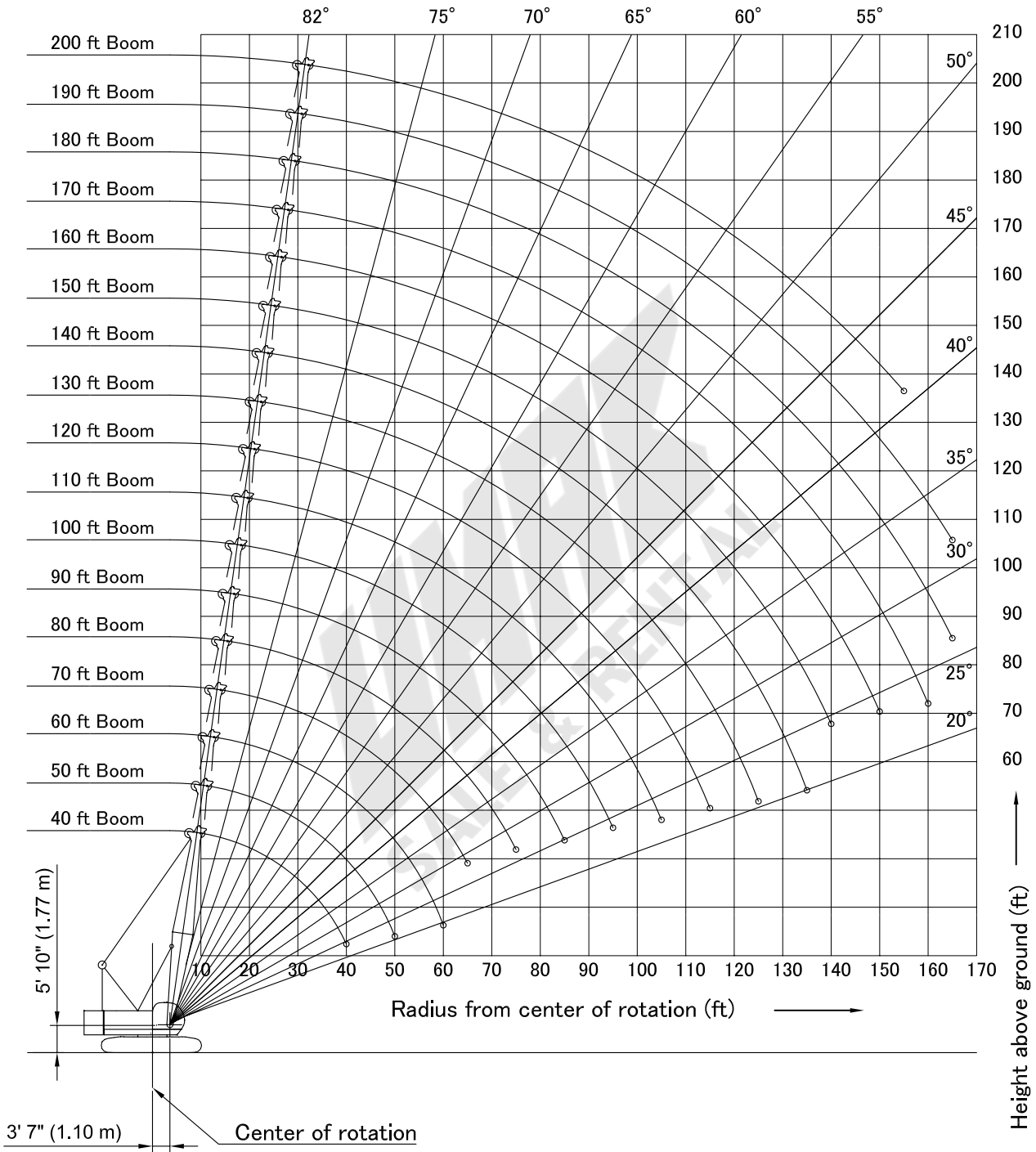
Y1: Auxiliary sheave can be attached.
 Y2: Fixed jib can be attached.
 To install fixed jib, one 40A (40 ft insert boom with lug) is required.



200 ft (61.0 m) Main Boom

190 ft (57.9 m) Main Boom and 60 ft (18.3 m) Fixed Jib

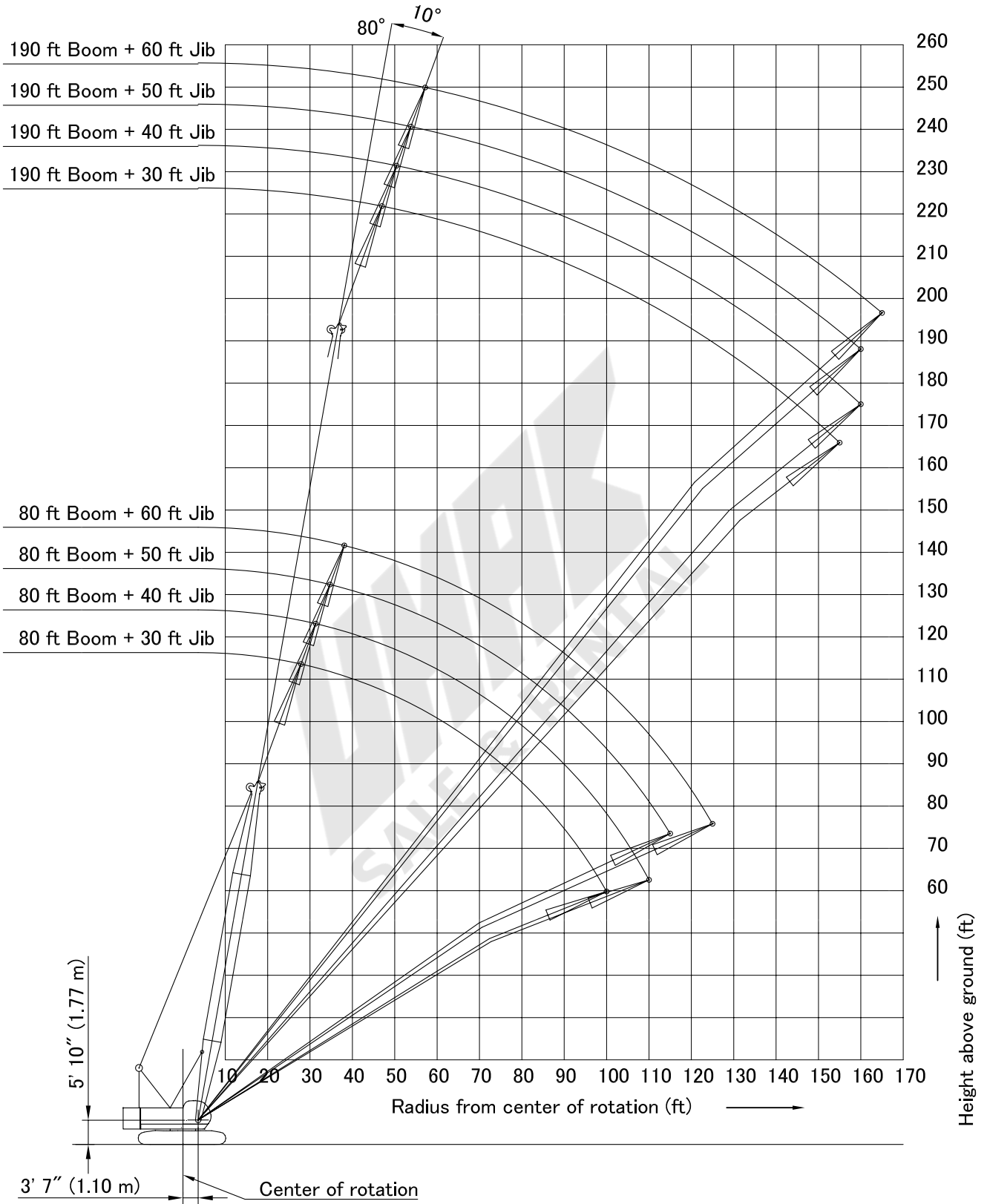
CK1000-II Main Boom Working Range **KOBELCO**



CK1000-II Jib Working Range



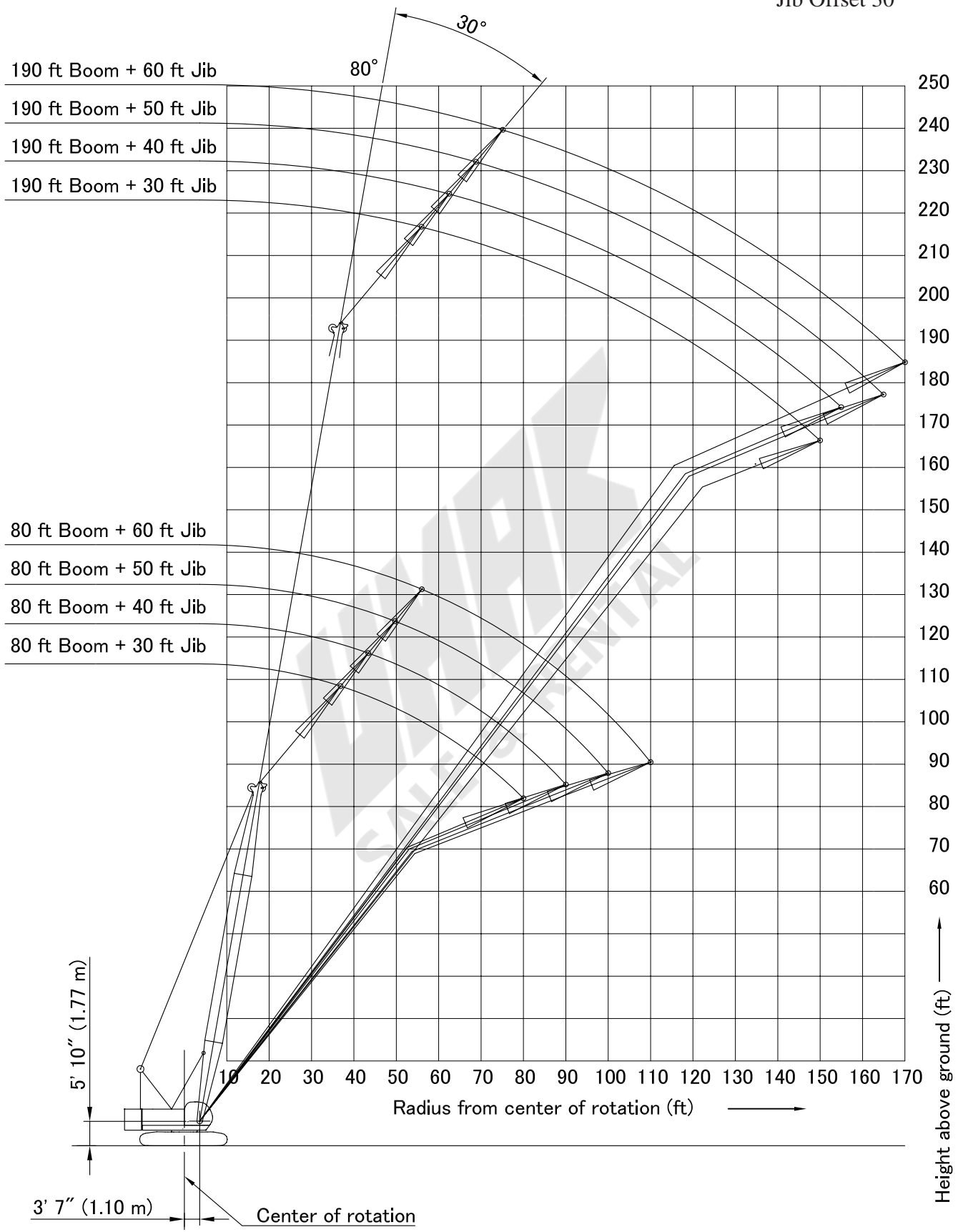
Jib Offset 10°



CK1000-II Jib Working Range



Jib Offset 30°



KOBELCO CK1000-II Main Boom Rated Loads in Pounds

Counterweight: 63,490 lbs (28,790 kg)

Carbody weight: 14,720 lbs (6,680 kg)

Supplemental Data

1. Rated loads included in the charts are the maximum allowable freely suspended loads at a given boom length, boom angle and load radius, and have been determined for the machine standing level on firm supporting surface under ideal operating conditions. The user must limit or de-rate rated loads to allow for adverse conditions (such as soft or uneven ground, out-of-level conditions, wind, side loads, pendulum action, jerking or sudden stopping of loads, inexperience of personnel, multiple machine lifts, and traveling with a load).
2. Rated loads do not exceed 75% of minimum tipping loads. Rated loads based on factors other than machine stability such as structural competence are shown by asterisk * in the charts.
3. The machine must be reeved and set-up as stated in the operation manual and all the instruction manuals if these manuals are missing, obtain replacements.
 - 1) The crane must be leveled to within 1% on a firm supporting surface.
 - 2) Boom backstops are required for all boom lengths.
 - 3) Gantry must be fully raised position for all operations.
 - 4) Crawlers must be fully extended and be locked in position.
 - 5) Counterweight: 63,490 lbs.
 - 6) Carbody weight: 14,720 lbs
4. Do not attempt to lift where no radius on load is listed as crane may tip or collapse.
5. Attempting to lift more than rated loads may cause machine to tip or collapse. Do not tip machine to determine rated loads.
6. Weight of hooks, hook blocks, slings and other lifting devices are a part of the total load. Their total weight must be subtracted from the rated load to obtain the weight that can be lifted.
7. When lifting over boom point with jib or auxiliary sheave, rated loads for the boom must be deducted as shown below.
9. Boom lengths for jib mounting are 80 ft (24.4 m) to 190 ft (57.9 m).
10. The total load that can be lifted by the auxiliary sheave is: the rated load for the boom (without auxiliary sheave installed) minus 420 lbs; however, the auxiliary sheave rated load should not exceed 24,000 lbs.
11. Permissible boom lengths for installing auxiliary sheave are from 40 ft (12.2 m) to 190 ft (57.9 m).
12. The boom should be erected over the front of the crawlers, not laterally.
13. Least stable position is over the side.

14. Maximum hoist load for number of reeving parts of line for hoist rope.

Maximum Load for Main Boom

No. of Parts Line	1	2	3	4	5
Maximum Loads (lbs)	25,000	50,000	75,000	100,000	125,000

No. of Parts Line	6	7	8
Maximum Loads (lbs)	150,000	175,000	200,000

Maximum Load for Fixed Jib

No. of Parts Line	1
Maximum Loads (lbs)	24,000

Maximum Load for Auxiliary Sheave

No. of Parts Line	1
Maximum Loads (lbs)	24,000

4. Do not attempt to lift where no radius on load is listed as crane may tip or collapse.
5. Attempting to lift more than rated loads may cause machine to tip or collapse. Do not tip machine to determine rated loads.
6. Weight of hooks, hook blocks, slings and other lifting devices are a part of the total load. Their total weight must be subtracted from the rated load to obtain the weight that can be lifted.
7. When lifting over boom point with jib or auxiliary sheave, rated loads for the boom must be deducted as shown below.
15. Rated loads listed apply only to the machine as originally manufactured and designed by KOBELCO CRANES CO.,LTD. Modifications to this machine or use of equipment other than that specified can reduce operating capacity.
16. Designed and rated to comply ANSI code B30.5.

Jib Length	Aux. Sheave	30 ft	40 ft	50 ft	60 ft
Deduct (lbs)	420	2,400	3,200	4,200	5,200

8. The total load that can be lifted by the jib is limited by rated jib loads.

Operation of this equipment in excess of rated loads or disregard of instruction void the warranty

CK1000-II Main Boom Rated Loads in Pounds

3 Counterweights + 2 Low Weights - Crawlers fully extended

40' Boom			50' Boom			60' Boom		
Load Radius (ft)	Boom Angle (deg.)	360° Rated Load (lbs)	Load Radius (ft)	Boom Angle (deg.)	360° Rated Load (lbs)	Load Radius (ft)	Boom Angle (deg.)	360° Rated Load (lbs)
10.0	81.9	200,000 *	12.0	81.2	185,180 *	13.0	81.7	171,730 *
11.0	80.5	200,000 *	13.0	80.1	171,950 *	14.0	80.8	159,830 *
12.0	79.0	185,400 *	14.0	78.9	160,050 *	15.0	79.8	149,910 *
13.0	77.5	172,170 *	15.0	77.7	150,130 *	16.0	78.8	140,650 *
14.0	76.1	160,270 *	16.0	76.5	140,870 *	17.0	77.8	132,930 *
15.0	74.6	150,350 *	17.0	75.4	133,150 *	18.0	76.9	124,330 *
16.0	73.1	141,090 *	18.0	74.2	125,880 *	19.0	75.9	116,180 *
17.0	71.5	133,370 *	19.0	73.0	119,040 *	20.0	74.9	109,120 *
18.0	70.0	126,100 *	20.0	71.7	111,330 *	22.0	72.9	97,000 *
19.0	68.5	119,040 *	22.0	69.3	98,760 *	24.0	70.9	87,300 *
20.0	66.9	111,110 *	24.0	66.8	87,520	26.0	68.8	77,600
22.0	63.7	97,440 *	26.0	64.3	77,820	28.0	66.8	69,880
24.0	60.5	86,420 *	28.0	61.7	70,100	30.0	64.6	63,490
26.0	57.1	76,940 *	30.0	59.0	63,710	32.0	62.5	58,200
28.0	53.5	69,000 *	32.0	56.3	58,420	34.0	60.3	53,570
30.0	49.8	62,160 *	34.0	53.5	53,790	36.0	58.1	49,600
32.0	45.9	55,990 *	36.0	50.5	50,040	38.0	55.8	46,070
34.0	41.7	50,260 *	38.0	47.4	46,510	40.0	53.4	43,210
36.0	37.0	45,190 *	40.0	44.2	43,430	45.0	47.1	37,030
38.0	31.8	40,120 *	45.0	35.0	35,270 *	50.0	40.1	32,400
40.0	25.7	35,270 *	50.0	22.8	27,110 *	55.0	31.8	27,330 *
						60.0	20.7	21,600 *
70' Boom			80' Boom			90' Boom		
Load Radius (ft)	Boom Angle (deg.)	360° Rated Load (lbs)	Load Radius (ft)	Boom Angle (deg.)	360° Rated Load (lbs)	Load Radius (ft)	Boom Angle (deg.)	360° Rated Load (lbs)
15.0	81.3	149,690 *	16.0	81.6	138,660 *	17.0	81.9	125,660 *
16.0	80.4	140,430 *	17.0	80.9	128,300 *	18.0	81.3	117,720 *
17.0	79.6	131,830 *	18.0	80.2	119,260 *	19.0	80.6	109,780 *
18.0	78.8	122,570 *	19.0	79.5	111,550 *	20.0	80.0	103,170 *
19.0	77.9	114,630 *	20.0	78.7	104,710 *	22.0	78.7	91,710 *
20.0	77.1	107,580 *	22.0	77.3	93,250 *	24.0	77.4	82,670 *
22.0	75.4	95,900 *	24.0	75.8	84,210 *	26.0	76.1	75,390 *
24.0	73.7	86,420 *	26.0	74.3	76,720 *	28.0	74.8	69,220 *
26.0	72.0	77,600	28.0	72.8	69,440	30.0	73.4	63,050
28.0	70.2	69,880	30.0	71.3	63,050	32.0	72.1	57,540
30.0	68.5	63,490	32.0	69.8	57,760	34.0	70.8	52,910
32.0	66.7	57,980	34.0	68.2	53,130	36.0	69.4	49,160
34.0	64.9	53,350	36.0	66.7	49,160	38.0	68.0	45,630
36.0	63.1	49,600	38.0	65.1	45,850	40.0	66.6	42,540
38.0	61.2	46,070	40.0	63.5	42,760	45.0	63.1	36,370
40.0	59.3	42,980	45.0	59.4	36,590	50.0	59.5	31,740
45.0	54.4	37,030	50.0	55.1	31,960	55.0	55.7	27,990
50.0	49.1	32,180	55.0	50.6	28,210	60.0	51.7	25,130
55.0	43.4	28,650	60.0	45.7	25,130	65.0	47.5	22,480
60.0	37.0	25,570	65.0	40.4	22,700	70.0	43.0	20,500
65.0	29.4	22,040 *	70.0	34.5	20,720	75.0	38.0	18,730
			75.0	27.4	17,850 *	80.0	32.4	17,190 *
						85.0	25.8	14,770 *

CK1000-II Main Boom Rated Loads in Pounds

3 Counterweights + 2 Low Weights - Crawlers fully extended

100' Boom			110' Boom			120' Boom		
Load Radius (ft)	Boom Angle (deg.)	360° Rated Load (lbs)	Load Radius (ft)	Boom Angle (deg.)	360° Rated Load (lbs)	Load Radius (ft)	Boom Angle (deg.)	360° Rated Load (lbs)
19.0	81.6	107,360 *	20.0	81.8	100,300 *	22.0	81.6	87,080 *
20.0	81.0	100,750 *	22.0	80.8	89,060 *	24.0	80.6	78,480 *
22.0	79.8	89,500 *	24.0	79.7	80,020 *	26.0	79.6	71,200 *
24.0	78.7	80,680 *	26.0	78.7	72,750 *	28.0	78.6	65,250 *
26.0	77.5	73,410 *	28.0	77.6	66,790 *	30.0	77.7	60,180 *
28.0	76.3	67,460 *	30.0	76.5	61,720 *	32.0	76.7	55,990 *
30.0	75.1	62,390 *	32.0	75.4	57,310 *	34.0	75.7	52,240 *
32.0	73.9	57,310	34.0	74.4	52,680	36.0	74.7	48,500
34.0	72.7	52,680	36.0	73.3	48,720	38.0	73.7	44,970
36.0	71.5	48,720	38.0	72.2	45,410	40.0	72.7	42,100
38.0	70.3	45,410	40.0	71.1	42,320	45.0	70.2	35,930
40.0	69.1	42,320	45.0	68.3	36,150	50.0	67.6	31,080
45.0	66.0	36,150	50.0	65.5	31,520	55.0	65.0	27,330
50.0	62.8	31,520	55.0	62.6	27,770	60.0	62.3	24,470
55.0	59.5	27,770	60.0	59.6	24,690	65.0	59.6	21,820
60.0	56.1	24,690	65.0	56.5	22,260	70.0	56.8	19,840
65.0	52.6	22,260	70.0	53.3	20,060	75.0	53.9	18,070
70.0	48.8	20,060	75.0	49.9	18,290	80.0	50.8	16,530
75.0	44.9	18,290	80.0	46.4	16,750	85.0	47.7	15,210
80.0	40.6	16,750	85.0	42.7	15,430	90.0	44.3	13,880
85.0	36.0	15,430	90.0	38.6	14,320	95.0	40.8	13,000
90.0	30.7	14,320 *	95.0	34.2	13,220	100.0	36.9	12,120
95.0	24.4	12,340 *	100.0	29.2	12,120 *	105.0	32.7	11,240
			105.0	23.2	10,360 *	110.0	27.9	10,140 *
						115.0	22.2	8,590 *
130' Boom			140' Boom			150' Boom		
Load Radius (ft)	Boom Angle (deg.)	360° Rated Load (lbs)	Load Radius (ft)	Boom Angle (deg.)	360° Rated Load (lbs)	Load Radius (ft)	Boom Angle (deg.)	360° Rated Load (lbs)
24.0	81.3	71,860 *	24.0	81.9	61,720 *	26.0	81.7	52,680 *
26.0	80.4	70,980 *	26.0	81.1	60,840 *	28.0	80.9	51,800 *
28.0	79.5	65,030 *	28.0	80.3	59,960 *	30.0	80.2	51,140 *
30.0	78.6	59,960 *	30.0	79.4	58,640 *	32.0	79.4	50,260 *
32.0	77.7	55,550 *	32.0	78.6	54,450 *	34.0	78.6	49,600 *
34.0	76.8	51,800 *	34.0	77.8	50,700 *	36.0	77.8	46,510 *
36.0	75.9	48,500 *	36.0	76.9	47,390 *	38.0	77.0	43,650 *
38.0	75.0	44,970	38.0	76.1	44,530 *	40.0	76.3	41,220 *
40.0	74.1	41,880	40.0	75.2	41,660	45.0	74.3	35,270
45.0	71.8	35,710	45.0	73.1	35,490	50.0	72.3	30,640
50.0	69.4	31,080	50.0	71.0	30,860	55.0	70.3	26,890
55.0	67.1	27,330	55.0	68.8	27,110	60.0	68.2	23,800
60.0	64.6	24,250	60.0	66.6	24,030	65.0	66.1	21,380
65.0	62.2	21,820	65.0	64.3	21,380	70.0	64.0	19,180
70.0	59.6	19,620	70.0	62.0	19,400	75.0	61.9	17,410
75.0	57.0	17,850	75.0	59.7	17,630	80.0	59.7	15,870
80.0	54.4	16,310	80.0	57.2	16,090	85.0	57.4	14,550
85.0	51.6	14,990	85.0	54.8	14,770	90.0	55.1	13,440
90.0	48.7	13,880	90.0	52.2	13,440	95.0	52.8	12,340
95.0	45.7	12,780	95.0	49.6	12,560	100.0	50.3	11,460
100.0	42.5	11,900	100.0	46.8	11,460	105.0	47.8	10,580
105.0	39.1	11,020	105.0	43.9	10,800	110.0	45.1	9,700
110.0	35.4	10,360	110.0	40.9	9,920	115.0	42.3	9,030
115.0	31.4	9,470 *	115.0	37.6	9,250	120.0	39.4	8,590
120.0	26.8	8,370 *	120.0	34.1	8,590	125.0	36.3	7,930
125.0	21.3	7,050 *	125.0	30.2	7,710 *	130.0	32.9	7,490 *
			130.0	25.8	6,830 *	135.0	29.1	6,610 *
			135.0	20.5	5,730 *	140.0	24.9	5,730 *

CK1000-II Main Boom Rated Loads in Pounds

3 Counterweights + 2 Low Weights - Crawlers fully extended

160' Boom			170' Boom			180' Boom		
Load Radius (ft)	Boom Angle (deg.)	360° Rated Load (lbs)	Load Radius (ft)	Boom Angle (deg.)	360° Rated Load (lbs)	Load Radius (ft)	Boom Angle (deg.)	360° Rated Load (lbs)
28.0	81.5	44,090 *	28.0	82.0	38,800 *	30.0	81.8	33,730 *
30.0	80.8	43,430 *	30.0	81.3	38,130 *	32.0	81.2	33,060 *
32.0	80.1	42,760 *	32.0	80.6	37,470 *	34.0	80.5	32,620 *
34.0	79.3	42,100 *	34.0	80.0	37,030 *	36.0	79.9	31,960 *
36.0	78.6	41,440 *	36.0	79.3	36,370 *	38.0	79.2	31,520 *
38.0	77.9	40,780 *	38.0	78.6	35,710 *	40.0	78.6	31,080 *
40.0	77.1	40,340 *	40.0	77.9	35,270 *	45.0	77.0	29,760 *
45.0	75.3	35,270 *	45.0	76.2	33,950 *	50.0	75.3	28,650 *
50.0	73.4	30,640	50.0	74.4	30,420	55.0	73.7	26,230
55.0	71.5	26,890	55.0	72.7	26,670	60.0	72.0	23,360
60.0	69.6	23,800	60.0	70.9	23,580	65.0	70.3	20,720
65.0	67.7	21,160	65.0	69.1	20,940	70.0	68.6	18,730
70.0	65.8	19,180	70.0	67.3	18,950	75.0	66.9	16,750
75.0	63.8	17,410	75.0	65.4	17,190	80.0	65.1	15,210
80.0	61.8	15,870	80.0	63.6	15,650	85.0	63.4	13,880
85.0	59.7	14,320	85.0	61.7	14,100	90.0	61.6	12,780
90.0	57.6	13,220	90.0	59.7	13,000	95.0	59.7	11,680
95.0	55.4	12,120	95.0	57.7	11,900	100.0	57.9	10,800
100.0	53.2	11,240	100.0	55.7	11,020	105.0	56.0	9,920
105.0	51.0	10,360	105.0	53.6	10,140	110.0	54.0	9,030
110.0	48.6	9,700	110.0	51.5	9,470	115.0	52.0	8,370
115.0	46.2	9,030	115.0	49.3	8,810	120.0	50.0	7,710
120.0	43.6	8,370	120.0	47.1	8,150	125.0	47.8	7,270
125.0	40.9	7,710	125.0	44.7	7,490	130.0	45.6	6,830
130.0	38.1	7,270	130.0	42.2	7,050	135.0	43.4	6,170
135.0	35.1	6,830 *	135.0	39.6	6,610	140.0	41.0	5,730
140.0	31.8	5,950 *	140.0	36.9	6,170 *	145.0	38.5	5,290 *
145.0	28.2	5,290 *	145.0	34.0	5,510 *	150.0	35.8	4,850 *
150.0	24.1	4,400 *	150.0	30.8	4,850 *	155.0	33.0	4,180 *
			155.0	27.3	4,180 *	160.0	29.9	3,520 *
			160.0	23.3	3,520 *	165.0	26.5	3,080 *

190' Boom			200' Boom		
Load Radius (ft)	Boom Angle (deg.)	360° Rated Load (lbs)	Load Radius (ft)	Boom Angle (deg.)	360° Rated Load (lbs)
32.0	81.6	29,540 *	155.0	37.4	4,180 *
34.0	81.0	28,880 *	160.0	34.8	3,740 *
36.0	80.4	28,430 *	165.0	32.1	3,300 *
38.0	79.8	27,990 *			
40.0	79.2	27,550 *			
45.0	77.6	26,450 *			
50.0	76.1	25,350 *			
55.0	74.5	24,250 *			
60.0	73.0	22,700 *			
65.0	71.4	20,500			
70.0	69.8	18,510			
75.0	68.2	16,750			
80.0	66.5	15,210			
85.0	64.9	13,660			
90.0	63.2	12,560			
95.0	61.5	11,460			
100.0	59.7	10,580			
105.0	58.0	9,700			
110.0	56.2	9,030			
115.0	54.3	8,370			
120.0	52.5	7,710			
125.0	50.5	7,050			
130.0	48.5	6,610			
135.0	46.5	6,170			
140.0	44.4	5,730			
145.0	42.1	5,290 *			
150.0	39.8	4,850 *			

CK1000-II Jib Rated Loads in Pounds

3 Counterweights + 2 Low Weights - Crawlers fully extended

80' Boom									90' Boom								
Load Radius (ft.)	30 ft Jib		40 ft Jib		50 ft Jib		60 ft Jib		Load Radius (ft.)	30 ft Jib		40 ft Jib		50 ft Jib		60 ft Jib	
	Offset Angle		Offset Angle		Offset Angle		Offset Angle			Offset Angle		Offset Angle		Offset Angle		Offset Angle	
	10°	30°	10°	30°	10°	30°	10°	30°		10°	30°	10°	30°	10°	30°	10°	30°
30	24,000 *								32	24,000 *							
32	24,000 *								34	24,000 *							
34	24,000 *		24,000 *						36	24,000 *	24,000 *						
36	24,000 *		24,000 *						38	24,000 *	24,000 *			20,000 *			
38	24,000 *	21,000 *	24,000 *		20,000 *				40	24,000 *	21,000 *	24,000 *		20,000 *			
40	24,000 *	21,000 *	24,000 *		20,000 *		18,000 *		45	24,000 *	21,000 *	24,000 *		20,000 *		18,000 *	
45	24,000 *	20,700 *	24,000 *	15,360 *	20,000 *		18,000 *		50	24,000 *	20,100 *	24,000 *	14,810 *	20,000 *		18,000 *	
50	24,000 *	19,510 *	24,000 *	14,480 *	20,000 *		17,850 *		55	24,000 *	19,020 *	23,890 *	14,020 *	19,550 *	11,300 *	16,970 *	
55	24,000 *	18,380 *	22,480 *	13,640 *	18,560 *	11,080 *	16,180 *		60	24,000 *	18,120 *	22,020 *	13,330 *	18,000 *	10,730 *	15,630 *	9,100 *
60	24,000 *	17,500 *	20,700 *	12,980 *	17,080 *	10,490 *	14,850 *	8,950 *	65	22,660	17,320 *	20,410 *	12,760 *	16,730 *	10,250 *	14,460 *	8,660 *
65	22,920	16,710 *	19,180 *	12,360 *	15,800 *	9,980 *	13,730 *	8,480 *	70	20,540	16,620 *	19,040 *	12,230 *	15,580 *	9,780 *	13,470 *	8,240 *
70	20,810	16,020 *	17,870 *	11,830 *	14,720 *	9,540 *	12,760 *	8,060 *	75	18,620	15,960 *	17,760 *	11,720 *	14,520 *	9,360 *	12,520 *	7,870 *
75	18,910	15,380 *	16,660 *	11,350 *	13,710 *	9,100 *	11,860 *	7,670 *	80	17,080	15,430 *	16,730 *	11,300 *	13,660 *	8,990 *	11,770 *	7,530 *
80	17,370	14,850 *	15,670 *	10,930 *	12,870 *	8,730 *	11,130 *	7,340 *	85	15,760	14,940 *	15,800 *	10,930 *	12,890 *	8,680 *	11,080 *	7,230 *
85	16,020		14,810 *	10,560 *	12,140 *	8,420 *	10,470 *	7,030 *	90	14,570		14,740	10,580 *	12,210 *	8,370 *	10,470 *	6,960 *
90	14,850		14,040 *	10,250 *	11,500 *	8,130 *	9,870 *	6,760 *	95	13,470		13,620	10,270 *	11,570 *	8,110 *	9,890 *	6,700 *
95	13,750		13,310 *		10,890 *	7,840 *	9,320 *	6,500 *	100	12,540		12,690		11,020 *	7,870 *	9,390 *	6,480 *
100	12,830				12,690 *		10,360 *	6,280 *	105	11,700		11,860		10,530 *	7,640 *	8,950 *	6,280 *
105					12,120		9,890 *		110			11,080		10,070 *		8,550 *	6,100 *
110			11,350 *				9,470 *		115			10,360		9,650 *		8,150 *	5,930 *
115							9,080 *		120					9,300 *		7,820 *	
120									125					8,970 *		7,530 *	
125									130							7,270 *	
									135							7,010 *	
100' Boom									110' Boom								
Load Radius (ft.)	30 ft Jib		40 ft Jib		50 ft Jib		60 ft Jib		Load Radius (ft.)	30 ft Jib		40 ft Jib		50 ft Jib		60 ft Jib	
	Offset Angle		Offset Angle		Offset Angle		Offset Angle			Offset Angle		Offset Angle		Offset Angle		Offset Angle	
	10°	30°	10°	30°	10°	30°	10°	30°		10°	30°	10°	30°	10°	30°	10°	30°
32	24,000 *								34	24,000 *							
34	24,000 *								36	24,000 *							
36	24,000 *		24,000 *						38	24,000 *	24,000 *						
38	24,000 *		24,000 *						40	24,000 *	24,000 *						
40	24,000 *		24,000 *		20,000 *				45	24,000 *	21,000 *	24,000 *		20,000 *		18,000 *	
45	24,000 *	21,000 *	24,000 *		20,000 *		18,000 *		50	24,000 *	21,000 *	24,000 *	15,360 *	20,000 *		18,000 *	
50	24,000 *	20,650 *	24,000 *	15,100 *	20,000 *		18,000 *		55	24,000 *	20,100 *	24,000 *	14,610 *	20,000 *		18,000 *	
55	24,000 *	19,570 *	24,000 *	14,320 *	20,000 *	11,500 *	17,720 *		60	24,000 *	19,220 *	24,000 *	13,970 *	19,810 *	11,150 *	17,040 *	
60	24,000 *	18,690 *	23,280 *	13,660 *	18,930 *	10,950 *	16,350 *		65	22,260	18,430 *	22,500	13,400 *	18,430 *	10,670 *	15,820 *	8,970 *
65	22,440	17,900 *	21,620 *	13,090 *	17,590 *	10,470 *	15,160 *	8,810 *	70	20,150	17,700 *	20,370	12,870 *	17,230 *	10,250 *	14,770 *	8,570 *
70	20,320	17,190 *	20,190 *	12,560 *	16,420 *	10,030 *	14,130 *	8,420 *	75	18,230	17,040 *	18,450	12,380 *	16,110 *	9,830 *	13,800 *	8,200 *
75	18,400	16,510 *	18,620	12,050 *	15,340 *	9,610 *	13,160 *	8,040 *	80	16,680	16,460 *	16,880	11,940 *	15,160 *	9,470 *	12,960 *	7,890 *
80	16,860	15,960 *	17,060	11,640 *	14,440 *	9,230 *	12,360 *	7,710 *	85	15,340	15,650	15,520	11,570 *	14,350 *	9,140 *	12,230 *	7,580 *
85	15,520	15,450 *	15,710	11,260 *	13,640 *	8,920 *	11,660 *	7,420 *	90	14,150	14,440	14,320	11,220 *	13,600 *	8,840 *	11,590 *	7,310 *
90	14,320	14,570	14,500	10,910 *	12,910 *	8,610 *	11,040 *	7,160 *	95	13,020	13,270	13,200	10,890 *	12,890 *	8,550 *	10,950 *	7,050 *
95	13,220	13,420	13,380	10,580 *	12,230 *	8,330 *	10,420 *	6,900 *	100	12,100	12,320	12,250	10,600 *	12,300 *	8,310 *	10,420 *	6,830 *
100	12,270		12,450	10,310 *	11,660 *	8,090 *	9,920 *	6,670 *	105	11,260		11,410	10,330 *	11,530	8,090 *	9,940 *	6,630 *
105	11,460		11,590		11,150 *	7,870 *	9,450 *	6,450 *	110	10,510		10,640	10,110 *	10,780	7,890 *	9,500 *	6,430 *
110	10,690		10,840		10,670 *	7,690 *	9,030 *	6,280 *	115	9,780		9,920		10,030	7,690 *	9,080 *	6,260 *
115	9,980		10,110		10,200 *		8,610 *	6,100 *	120	9,170		9,300		9,390		8,700 *	6,100 *
120			9,470		9,590		8,280 *	5,950 *	125	8,420 *		8,730		8,810		8,370 *	5,970 *
125			8,860 *		9,010		7,950 *		130			8,200		8,280		8,060 *	
130					8,480		7,670 *		135			7,420 *		7,800		7,780 *	
135					7,800 *		7,400 *		140					7,250 *		7,380	
140							7,140 *		145							6,960	
145							6,810 *		150							6,370 *	

CK1000-II Jib Rated Loads in Pounds

3 Counterweights + 2 Low Weights - Crawlers fully extended

120' Boom									130' Boom								
Load Radius (ft.)	30 ft Jib		40 ft Jib		50 ft Jib		60 ft Jib		Load Radius (ft.)	30 ft Jib		40 ft Jib		50 ft Jib		60 ft Jib	
	Offset Angle		Offset Angle		Offset Angle		Offset Angle			Offset Angle		Offset Angle		Offset Angle		Offset Angle	
	10°	30°	10°	30°	10°	30°	10°	30°		10°	30°	10°	30°	10°	30°	10°	30°
36	24,000 *								38	24,000 *							
38	24,000 *								40	24,000 *							
40	24,000 *		24,000 *						45	24,000 *		24,000 *		20,000 *			
45	24,000 *	21,000 *	24,000 *		20,000 *				50	24,000 *	21,000 *	24,000 *		20,000 *		18,000 *	
50	24,000 *	21,000 *	24,000 *		20,000 *		18,000 *		55	24,000 *	20,980 *	24,000 *		20,000 *		18,000 *	
55	24,000 *	20,560 *	24,000 *	14,880 *	20,000 *		18,000 *		60	24,000 *	20,120 *	24,000 *	14,500 *	20,000 *	11,480 *	18,000 *	
60	24,000 *	19,680 *	24,000 *	14,240 *	20,000 *	11,330 *	17,720 *		65	21,730	19,350 *	22,000	13,930 *	20,010 *	11,020 *	17,100 *	
65	21,970	18,910 *	22,240	13,690 *	19,240 *	10,860 *	16,460 *	9,080 *	70	19,620	18,650 *	19,860	13,420 *	18,760 *	10,620 *	16,000 *	8,840 *
70	19,860	18,180 *	20,100	13,160 *	18,010 *	10,420 *	15,380 *	8,700 *	75	17,680	17,960 *	17,920	12,940 *	17,570 *	10,200 *	14,960 *	8,480 *
75	17,940	17,500 *	18,160	12,670 *	16,840 *	10,030 *	14,390 *	8,350 *	80	16,130	16,600	16,350	12,520 *	16,530	9,850 *	14,100 *	8,170 *
80	16,400	16,790	16,620	12,250 *	15,890 *	9,670 *	13,550 *	8,040 *	85	14,790	15,180	14,990	12,140 *	15,160	9,540 *	13,330 *	7,890 *
85	15,050	15,410	15,250	11,860 *	15,030 *	9,340 *	12,780 *	7,730 *	90	13,600	13,950	13,800	11,770 *	13,950	9,230 *	12,630 *	7,620 *
90	13,860	14,170	14,040	11,500 *	14,190	9,060 *	12,120 *	7,470 *	95	12,470	12,780	12,650	11,440 *	12,800	8,950 *	11,970 *	7,360 *
95	12,740	13,020	12,910	11,170 *	13,050	8,770 *	11,480 *	7,230 *	100	11,530	11,810	11,700	11,130 *	11,860	8,700 *	11,410 *	7,140 *
100	11,790	12,050	11,970	10,860 *	12,100	8,500 *	10,930 *	7,010 *	105	10,690	10,950	10,860	10,860 *	11,000	8,480 *	10,890 *	6,940 *
105	10,950	11,170	11,130	10,600 *	11,260	8,280 *	10,420 *	6,790 *	110	9,940	10,160	10,090	10,420	10,220	8,260 *	10,310	6,740 *
110	10,200		10,360	10,360 *	10,490	8,060 *	9,960 *	6,610 *	115	9,210		9,360	9,650	9,470	8,040 *	9,560	6,560 *
115	9,470		9,630	9,870	9,740	7,870 *	9,520 *	6,410 *	120	8,570		8,730	8,990	8,840	7,870 *	8,920	6,390 *
120	8,860		8,990		9,100	7,690 *	9,140 *	6,260 *	125	8,020		8,150		8,260	7,710 *	8,350	6,230 *
125	8,280		8,420		8,530	7,530 *	8,610	6,100 *	130	7,490		7,620		7,730	7,560 *	7,820	6,100 *
130	7,690 *		7,890		8,000		8,060	5,970 *	135	6,940 *		7,140		7,250		7,310	5,970 *
135	6,830 *		7,420		7,510		7,580	5,860 *	140	6,150 *		6,670		6,760		6,830	5,860 *
140			6,700 *		7,030		7,090		145			6,040 *		6,340		6,410	
145					6,540 *		6,670		150			5,370 *		5,860 *		6,040	
150					5,880 *		6,300		155					5,260 *		5,620 *	
155							5,730 *		160					4,650 *		5,040 *	
160							5,090 *		165							4,540 *	
									170							4,010 *	

140' Boom									150' Boom								
Load Radius (ft.)	30 ft Jib		40 ft Jib		50 ft Jib		60 ft Jib		Load Radius (ft.)	30 ft Jib		40 ft Jib		50 ft Jib		60 ft Jib	
	Offset Angle		Offset Angle		Offset Angle		Offset Angle			Offset Angle		Offset Angle		Offset Angle		Offset Angle	
	10°	30°	10°	30°	10°	30°	10°	30°		10°	30°	10°	30°	10°	30°	10°	30°
40	24,000 *								45	24,000 *		24,000 *					
45	24,000 *		24,000 *						50	24,000 *	21,000 *	24,000 *		20,000 *			
50	24,000 *	21,000 *	24,000 *		20,000 *				55	24,000 *	21,000 *	24,000 *		20,000 *		18,000 *	
55	24,000 *	21,000 *	24,000 *	15,320 *	20,000 *		18,000 *		60	23,800	20,890 *	24,000 *	14,920 *	20,000 *		18,000 *	
60	23,980	20,540 *	24,000 *	14,720 *	20,000 *		18,000 *		65	21,270	20,150 *	21,580	14,390 *	20,000 *	11,330 *	18,000 *	
65	21,450	19,770 *	21,730	14,170 *	20,000 *	11,170 *	17,700 *		70	19,150	19,440 *	19,420	13,910 *	19,640	10,930 *	17,120 *	9,060 *
70	19,330	19,060 *	19,590	13,690 *	19,480 *	10,780 *	16,570 *	8,950 *	75	17,210	17,810	17,480	13,420 *	17,680	10,530 *	16,040 *	8,700 *
75	17,390	17,940	17,650	13,180 *	17,850	10,380 *	15,520 *	8,590 *	80	15,670	16,200	15,890	13,000 *	16,090	10,200 *	15,160 *	8,420 *
80	15,850	16,330	16,090	12,760 *	16,260	10,030 *	14,630 *	8,310 *	85	14,300	14,790	14,520	12,630 *	14,700	9,870 *	14,350 *	8,130 *
85	14,480	14,940	14,720	12,380 *	14,880	9,720 *	13,840 *	8,020 *	90	13,110	13,530	13,310	12,270 *	13,490	9,590 *	13,620	7,890 *
90	13,290	13,690	13,510	12,030 *	13,660	9,430 *	13,130 *	7,760 *	95	11,990	12,360	12,190	11,920 *	12,340	9,300 *	12,450	7,620 *
95	12,160	12,540	12,360	11,680 *	12,520	9,120 *	12,450 *	7,510 *	100	11,040	11,390	11,240	11,610 *	11,390	9,060 *	11,500	7,400 *
100	11,220	11,550	11,410	11,370 *	11,570	8,880 *	11,680	7,270 *	105	10,200	10,510	10,380	10,820	10,530	8,810 *	10,640	7,200 *
105	10,380	10,690	10,580	10,970	10,710	8,660 *	10,820	7,070 *	110	9,430	9,720	9,610	10,030	9,760	8,590 *	9,850	7,010 *
110	9,630	9,890	9,810	10,180	9,940	8,440 *	10,050	6,870 *	115	8,700	8,970	8,860	9,230	9,010	8,390 *	9,100	6,830 *
115	8,900	9,120	9,060	9,410	9,190	8,220 *	9,300	6,700 *	120	8,090	8,310	8,240	8,570	8,370	8,200 *	8,460	6,650 *
120	8,260	8,480	8,420	8,730	8,550	8,040 *	8,660	6,520 *	125	7,510	7,710	7,670	7,950	7,780	8,020 *	7,870	6,500 *
125	7,690		7,840	8,130	7,980	7,870 *	8,060	6,370 *	130	6,980		7,140	7,400	7,250	7,620	7,340	6,370 *
130	7,180		7,310		7,450	7,710 *	7,530	6,230 *	135	6,500		6,630		6,740	7,090	6,830	6,210 *
135	6,700		6,830		6,940	7,250	7,030	6,100 *	140	6,010 *		6,170		6,260	6,590	6,340	6,080 *
140	6,060 *		6,370		6,450		6,540	5,970 *	145	5,420 *		5,750		5,840		5,930	5,970 *
145	5,400 *		5,880 *		6,040		6,120	5,860 *	150	4,820 *		5,220 *		5,460		5,530	5,880
150	4,760 *		5,290 *		5,640 *		5,730		155	4,250 *		4,690 *		4,980 *		5,150 *	
155			4,690 *		5,090 *		5,350 *		160	3,650 *		4,140 *		4,450 *		4,670 *	
160			4,070 *		4,540 *		4,820 *		165			3,610 *		3,990 *		4,230 *	
165					4,010 *		4,340 *		170					3,520 *		3,790 *	
170					3,500 *		3,880 *		175					3,060 *		3,370 *	

CK1000-II Jib Rated Loads in Pounds

3 Counterweights + 2 Low Weights - Crawlers fully extended

160' Boom									170' Boom								
Load Radius (ft.)	30 ft Jib		40 ft Jib		50 ft Jib		60 ft Jib		Load Radius (ft.)	30 ft Jib		40 ft Jib		50 ft Jib		60 ft Jib	
	Offset Angle		Offset Angle		Offset Angle		Offset Angle			Offset Angle		Offset Angle		Offset Angle		Offset Angle	
	10°	30°	10°	30°	10°	30°	10°	30°		10°	30°	10°	30°	10°	30°	10°	30°
45	24,000 *								45	24,000 *							
50	24,000 *		24,000 *						50	24,000 *	24,000 *						
55	24,000 *	21,000 *	24,000 *					18,000 *	55	24,000 *	21,000 *	24,000 *					
60	23,720	21,000 *	24,000 *	15,120 *	20,000 *			18,000 *	60	23,500	21,000 *	23,800	15,290 *	20,000 *		18,000 *	
65	21,180	20,500 *	21,470	14,590 *	20,000 *	11,440 *		18,000 *	65	20,940	20,830 *	21,250	14,770 *	20,000 *		18,000 *	
70	19,040	19,730	19,310	14,100 *	19,530	11,060 *		17,650 *	70	18,820	19,530	19,090	14,300 *	19,310	11,170 *	18,000 *	
75	17,100	17,720	17,370	13,640 *	17,570	10,670 *		16,570 *	75	16,880	17,520	17,150	13,840 *	17,350	10,800 *	17,080 *	8,900 *
80	15,540	16,090	15,780	13,220 *	15,980	10,330 *		15,670 *	80	15,320	15,890	15,560	13,420 *	15,760	10,490 *	15,890	8,610 *
85	14,190	14,680	14,410	12,850 *	14,590	10,030 *		14,700 *	85	13,950	14,480	14,170	13,050 *	14,370	10,180 *	14,500	8,350 *
90	12,980	13,440	13,200	12,500 *	13,350	9,740 *		13,490 *	90	12,740	13,240	12,960	12,690 *	13,130	9,890 *	13,270	8,110 *
95	11,860	12,270	12,050	12,140 *	12,210	9,450 *		12,340 *	95	11,610	12,050	11,810	12,360 *	11,990	9,610 *	12,100	7,870 *
100	10,910	11,280	11,110	11,640	11,260	9,210 *		11,370 *	100	10,670	11,080	10,860	11,440	11,020	9,360 *	11,150	7,640 *
105	10,070	10,400	10,250	10,730	10,400	8,970 *		10,490 *	105	9,810	10,200	10,000	10,530	10,160	9,120 *	10,270	7,450 *
110	9,300	9,610	9,470	9,920	9,610	8,770 *		9,720 *	110	9,060	9,390	9,230	9,720	9,390	8,900 *	9,470	7,250 *
115	8,550	8,840	8,730	9,120	8,860	8,550 *		8,970 *	115	8,310	8,610	8,480	8,920	8,610	8,680 *	8,730	7,050 *
120	7,930	8,200	8,090	8,460	8,220	8,350 *		8,310 *	120	7,670	7,980	7,840	8,240	7,980	8,500	8,090	6,900 *
125	7,360	7,580	7,510	7,840	7,620	8,090 *		8,090 *	125	7,090	7,360	7,270	7,640	7,400	7,890	7,490	6,740 *
130	6,830	7,030	6,960	7,270	7,090	7,510 *		7,180 *	130	6,560	6,810	6,720	7,070	6,850	7,310	6,940	6,590 *
135	6,320		6,480	6,760	6,590	6,980 *		6,670 *	135	6,080	6,300	6,230	6,540	6,340	6,760	6,450	6,450 *
140	5,860		5,990	6,260	6,100	6,450 *		6,190 *	140	5,590		5,750	6,040	5,860	6,260	5,950	6,300 *
145	5,310 *		5,570		5,680	5,990 *		5,770 *	145	5,040 *		5,290 *	5,590	5,440	5,790	5,530	5,970
150	4,760 *		5,090 *		5,290	5,570 *		5,370 *	150	4,540 *		4,780 *		4,960 *	5,370	5,070 *	5,550
155	4,230 *		4,580 *		4,800 *			4,960 *	155	4,030 *		4,320 *		4,490 *	4,930 *	4,620 *	5,150
160	3,680 *		4,050 *		4,320 *			4,490 *	160	3,520 *		3,810 *		4,030 *		4,160 *	4,670 *
165	3,170 *		3,590 *		3,880 *			4,050 *	165	3,040 *		3,370 *		3,610 *		3,760 *	4,250 *
170			3,100 *		3,430 *			3,650 *	170					3,190 *		3,370 *	
175					3,020 *			3,240 *									

180' Boom									190' Boom								
Load Radius (ft.)	30 ft Jib		40 ft Jib		50 ft Jib		60 ft Jib		Load Radius (ft.)	30 ft Jib		40 ft Jib		50 ft Jib		60 ft Jib	
	Offset Angle		Offset Angle		Offset Angle		Offset Angle			Offset Angle		Offset Angle		Offset Angle		Offset Angle	
	10°	30°	10°	30°	10°	30°	10°	30°		10°	30°	10°	30°	10°	30°	10°	30°
50	22,200 *								50	22,200 *							
55	21,750 *	21,000 *	21,670 *		20,000 *				55	21,750 *	21,000 *	21,670 *		20,000 *			
60	21,360 *	20,870 *	21,270 *		20,000 *			18,000 *	60	21,360 *	20,870 *	21,270 *		20,000 *		18,000 *	
65	20,700	20,500 *	20,870 *	14,940 *	20,000 *			18,000 *	65	20,700	20,500 *	20,870 *	14,940 *	20,000 *		18,000 *	
70	18,560	19,310	18,840	14,480 *	19,060	11,300 *		18,000 *	70	18,560	19,310	18,840	14,480 *	19,060	11,300 *	18,000 *	
75	16,600	17,300	16,880	14,020 *	17,100	10,930 *		17,230 *	75	16,600	17,300	16,880	14,020 *	17,100	10,930 *	17,230	8,990 *
80	15,030	15,670	15,290	13,620 *	15,490	10,600 *		15,650 *	80	15,030	15,670	15,290	13,620 *	15,490	10,600 *	15,650	8,700 *
85	13,660	14,240	13,910	13,240 *	14,100	10,310 *		14,240 *	85	13,660	14,240	13,910	13,240 *	14,100	10,310 *	14,240	8,460 *
90	12,470	13,000	12,690	12,890 *	12,890	10,030 *		13,020 *	90	12,470	13,000	12,690	12,890 *	12,890	10,030 *	13,020	8,200 *
95	11,330	11,810	11,550	12,210	11,720	9,740 *		11,860 *	95	11,330	11,810	11,550	12,210	11,720	9,740 *	11,860	7,950 *
100	10,380	10,820	10,600	11,190	10,750	9,500 *		10,890 *	100	10,380	10,820	10,600	11,190	10,750	9,500 *	10,890	7,760 *
105	9,540	9,940	9,740	10,290	9,890	9,280 *		10,000 *	105	9,540	9,940	9,740	10,290	9,890	9,280 *	10,000	7,530 *
110	8,770	9,140	8,970	9,470	9,100	9,060 *		9,230 *	110	8,770	9,140	8,970	9,470	9,100	9,060 *	9,230	7,360 *
115	8,020	8,370	8,200	8,680	8,350	8,840 *		8,460 *	115	8,020	8,370	8,200	8,680	8,350	8,840 *	8,460	7,160 *
120	7,380	7,710	7,560	8,000	7,710	8,280		7,820 *	120	7,380	7,710	7,560	8,000	7,710	8,280	7,820	7,010 *
125	6,810	7,090	6,980	7,380	7,120	7,640		7,230 *	125	6,810	7,090	6,980	7,380	7,120	7,640	7,230	6,850 *
130	6,280	6,540	6,430	6,830	6,560	7,070		6,670 *	130	6,280	6,540	6,430	6,830	6,560	7,070	6,670	6,700 *
135	5,770 *	6,040	5,950	6,300	6,080	6,540		6,150 *	135	5,770 *	6,040	5,950	6,300	6,080	6,540	6,150 *	6,540 *
140	5,180 *	5,480 *	5,370 *	5,770	5,510 *	6,010		5,590 *	140	5,180 *	5,480 *	5,370 *	5,770	5,510 *	6,010	5,590 *	6,210
145	4,650 *	4,960 *	4,870 *	5,260 *	5,020 *	5,510 *		5,110 *	145	4,650 *	4,960 *	4,870 *	5,260 *	5,020 *	5,510 *	5,110 *	5,700 *
150	4,160 *		4,380 *	4,760 *	4,540 *	5,020 *		4,620 *	150	4,160 *		4,380 *	4,760 *	4,540 *	5,020 *	4,620 *	5,220 *
155	3,680 *		3,920 *		4,100 *	4,560 *		4,210 *	155	3,680 *		3,920 *		4,100 *	4,560 *	4,210 *	4,760 *
160	3,210 *		3,460 *		3,630 *	4,070 *		3,760 *	160	3,210 *		3,460 *		3,630 *	4,070 *	3,760 *	4,290 *
165			3,040 *		3,240 *			3,370 *	165			3,040 *		3,240 *		3,370 *	3,880 *
170								3,480 *	170								3,480 *

CK1000-II Clamshell



Boom:

Welded lattice construction using tubular, high-tensile steel
Chords with pin connections between sections.

Basic boom length: 40 ft (12.2 m)

Max. boom length: 120 ft (36.6 m)

Limit on clamshell bucket weight: 4,600 lb (2,100 kg)

Optional tagline: hydraulic operated type and spring type

Boom Component Chart

Boom length ft (m)	Boom arrangement
40 (12.2)	Base-Tip
50 (15.2)	Base-A-Tip
60 (18.3)	Base-A-A-Tip, Base-B-Tip
70 (21.3)	Base-A-B-Tip
80 (24.4)	Base-A-A-B-Tip, Base-B-B-Tip
90 (27.4)	Base-A-C-Tip
100 (30.5)	Base-A-A-B-B-Tip, Base-A-A-C-Tip
110 (33.5)	Base-A-B-C-Tip
120 (36.6)	Base-A-A-B-C-Tip, Base-B-B-C-Tip

Base = Boom Base

Insert: A = 10 ft (3.05 m)

B = 20 ft (6.10 m)

C = 40 ft (12.2 m)

Tip = Boom Tip

1. Figures represent maximum allowable capacity, and assume level, ground and ideal working conditions.
2. Capacities are calculated at 66 % of the minimum tipping loads.
3. Capacities are maximum recommended by PCSA Standard #4. Allowances must be made by the user for such unfavorable conditions as a sort of uneven supporting surface, rapid cycle operations, or bucket suction.
4. The combined weight of the bucket and load must not exceed these capacities.
5. Boom length for clamshell operation should not exceed 120 ft (36.6 m).

CK1000-II Clamshell Capacity in Pounds

1 Counterweight only, No Low Weight - Crawlers fully extended

40' Boom			50' Boom			60' Boom		
Load Radius (ft)	Boom Angle (deg.)	360° Rated Load (lbs)	Load Radius (ft)	Boom Angle (deg.)	360° Rated Load (lbs)	Load Radius (ft)	Boom Angle (deg.)	360° Rated Load (lbs)
22.0	63.7	22,000 *	26.0	64.3	22,000 *	30.0	64.6	22,000 *
24.0	60.5	22,000 *	28.0	61.7	22,000 *	32.0	62.5	22,000 *
26.0	57.1	22,000 *	30.0	59.0	22,000 *	34.0	60.3	21,400 *
28.0	53.5	22,000 *	32.0	56.3	22,000 *	36.0	58.1	20,200 *
30.0	49.8	22,000 *	34.0	53.5	21,400 *	38.0	55.8	19,200 *
32.0	45.9	22,000 *	36.0	50.5	20,200 *	40.0	53.4	18,200 *
34.0	41.7	21,400 *	38.0	47.4	19,200 *	42.0	51.0	17,300 *
36.0	37.0	20,200 *	40.0	44.2	18,200 *	44.0	48.4	16,500 *
38.0	31.8	19,200 *	42.0	40.7	17,300 *	46.0	45.8	15,800 *
40.0	25.7	18,200 *	44.0	37.0	16,500 *	48.0	43.0	15,200 *
			46.0	32.9	15,800 *	50.0	40.1	14,600 *
			48.0	28.3	15,200 *	52.0	37.0	14,000 *
						54.0	33.6	13,500 *
						56.0	29.9	13,000 *
						58.0	25.7	12,500 *

CK1000-II Clamshell Capacity in Pounds

1 Counter weight only, No Low Weight - Crawlers fully extended

70' Boom			80' Boom			90' Boom		
Load Radius (ft)	Boom Angle (deg.)	360° Rated Load (lbs)	Load Radius (ft)	Boom Angle (deg.)	360° Rated Load (lbs)	Load Radius (ft)	Boom Angle (deg.)	360° Rated Load (lbs)
34.0	64.9	21,400 *	38.0	65.1	19,200 *	42.0	65.2	17,300 *
36.0	63.1	20,200 *	40.0	63.5	18,200 *	44.0	63.8	16,500 *
38.0	61.2	19,200 *	42.0	61.9	17,300 *	46.0	62.4	15,800 *
40.0	59.3	18,200 *	44.0	60.2	16,500 *	48.0	60.9	15,200 *
42.0	57.4	17,300 *	46.0	58.6	15,800 *	50.0	59.5	14,600 *
44.0	55.4	16,500 *	48.0	56.9	15,200 *	52.0	58.0	14,000 *
46.0	53.4	15,800 *	50.0	55.1	14,600 *	54.0	56.4	13,500 *
48.0	51.3	15,200 *	52.0	53.3	14,000 *	56.0	54.9	13,000 *
50.0	49.1	14,600 *	54.0	51.5	13,500 *	58.0	53.3	12,500 *
52.0	46.9	14,000 *	56.0	49.6	13,000 *	60.0	51.7	12,100 *
54.0	44.6	13,500 *	58.0	47.7	12,500 *	62.0	50.0	11,700 *
56.0	42.2	13,000 *	60.0	45.7	12,100 *	64.0	48.3	11,400 *
58.0	39.6	12,500 *	62.0	43.7	11,700 *	66.0	46.6	11,000 *
60.0	37.0	12,100 *	64.0	41.5	11,400 *	68.0	44.8	10,700 *
62.0	34.1	11,700 *	66.0	39.3	11,000 *	70.0	43.0	10,400 *
64.0	31.0	11,400 *	68.0	37.0	10,700 *	72.0	41.0	10,100 *
66.0	27.6	11,000 *	70.0	34.5	10,400 *	74.0	39.0	9,700
			72.0	31.8	10,100 *	76.0	36.9	9,200
			74.0	28.9	9,800 *	78.0	34.7	9,000
			76.0	25.7	9,400 *	80.0	32.4	8,500
						82.0	29.9	8,300
						84.0	27.2	7,900
100' Boom			110' Boom			120' Boom		
Load Radius (ft)	Boom Angle (deg.)	360° Rated Load (lbs)	Load Radius (ft)	Boom Angle (deg.)	360° Rated Load (lbs)	Load Radius (ft)	Boom Angle (deg.)	360° Rated Load (lbs)
46.0	65.4	15,800 *	56.0	62.0	11,900 *	56.0	64.5	11,400 *
48.0	64.1	15,200 *	58.0	60.8	11,700 *	58.0	63.4	11,300 *
50.0	62.8	14,600 *	60.0	59.6	11,600 *	60.0	62.3	11,200 *
52.0	61.5	14,000 *	62.0	58.3	11,300 *	62.0	61.3	11,000 *
54.0	60.2	13,500 *	64.0	57.1	11,100 *	64.0	60.2	10,800 *
56.0	58.8	13,000 *	66.0	55.8	10,800 *	66.0	59.0	10,600 *
58.0	57.5	12,500 *	68.0	54.6	10,400 *	68.0	57.9	10,200 *
60.0	56.1	12,100 *	70.0	53.3	10,100	70.0	56.8	9,900
62.0	54.7	11,700 *	72.0	52.0	9,700	72.0	55.6	9,500
64.0	53.3	11,400 *	74.0	50.6	9,300	74.0	54.5	9,100
66.0	51.8	11,000 *	76.0	49.2	8,900	76.0	53.3	8,800
68.0	50.4	10,700 *	78.0	47.8	8,500	78.0	52.1	8,400
70.0	48.8	10,300	80.0	46.4	8,200	80.0	50.8	8,100
72.0	47.3	9,900	82.0	45.0	7,900	82.0	49.6	7,700
74.0	45.7	9,400	84.0	43.4	7,500	84.0	48.3	7,400
76.0	44.1	9,000	86.0	41.9	7,200	86.0	47.0	7,100
78.0	42.4	8800	88.0	40.3	7,000	88.0	45.7	6,800
80.0	40.6	8300	90.0	38.6	6,800	90.0	44.3	6,600
82.0	38.8	8100	92.0	36.9	6,600	92.0	42.9	6,400
84.0	36.9	7700	94.0	35.1	6,400	94.0	41.5	6,200
86.0	35.0	7400	96.0	33.3	6,200	96.0	40.0	6,000
88.0	32.9	7200	98.0	31.3	5,900	98.0	38.5	5,700
90.0	30.7	7000	100.0	29.2	5,700	100.0	36.9	5,500
92.0	28.3	6800	102.0	27.0	5,500	102.0	35.3	5,300
94.0	25.8	6600	104.0	24.5	5300	104.0	33.6	5100
						106.0	31.8	5000

CK1000-II

UMAX
SALE & RENTAL

Note: Due to our policy of continual product improvement, all designs and specifications are subject to change without advance notice. Pictures inside this publication may show machines with optional equipment. This manual and the specifications herein were prepared for the market served by Kobelco Cranes North America Inc. including North America and Latin America. Kobelco product specifications in other world markets may differ.

KOBELCO CRANES CO., LTD

Oval Court Ohsaki Mark West Bldg., 17-1, Higashigotanda 2-chome,
Shinagawa-ku, Tokyo, 141-8626 JAPAN
Tel: ++81 (0) 3-5789-2130 Fax: ++81 (0) 3-5789-3372

KOBELCO CRANES NORTH AMERICA INC.

10845 Train Court
Houston Texas 77041 U.S.A
Tel: 713-856-5755 Fax: 713-856-9072
www.kobelcocranesnorthamerica.com