

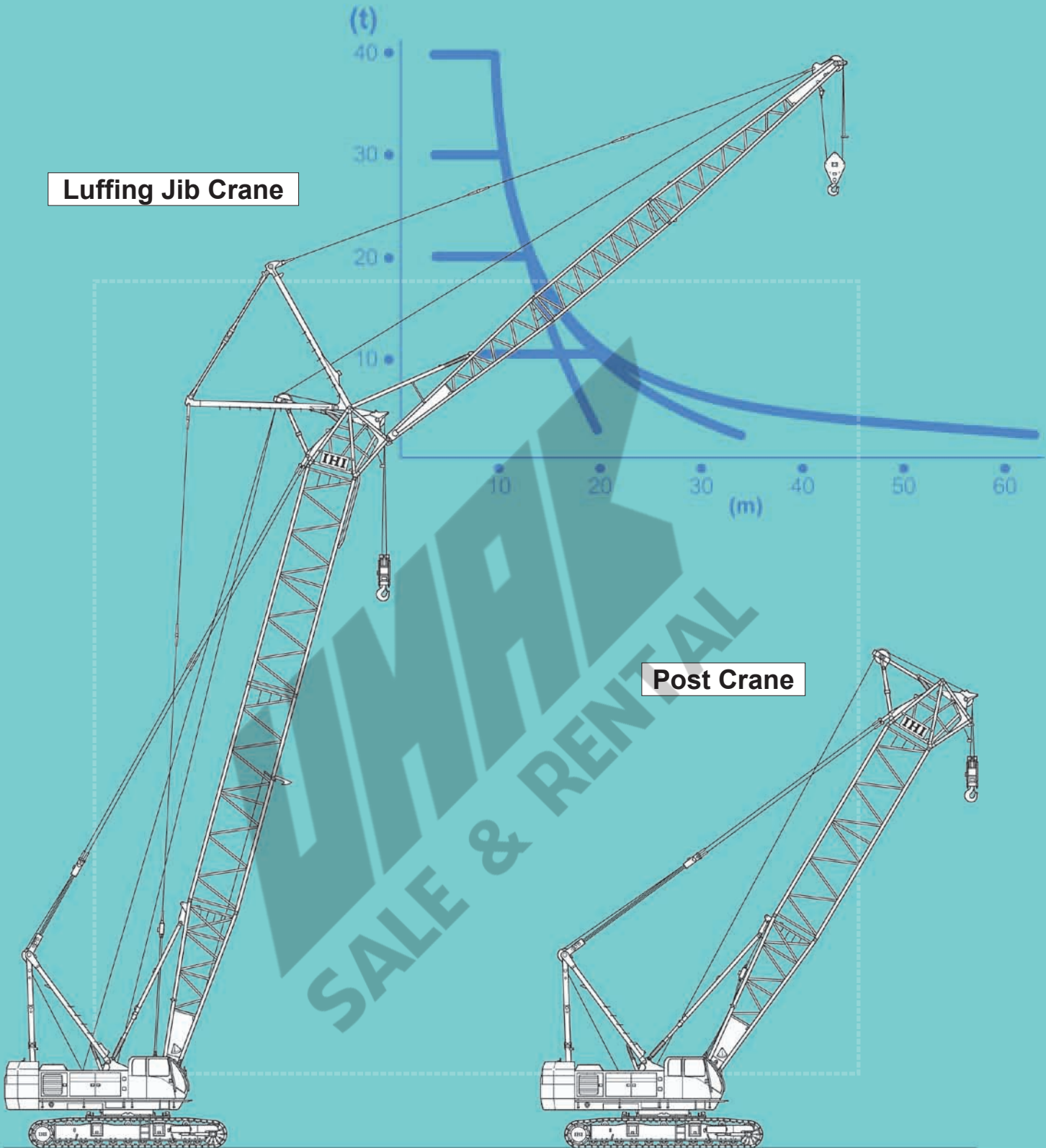
# CCH 1200

## Fully Hydraulic Crawler Crane

Lifting capacity 120 metric tons



**Luffing Jib Crane**

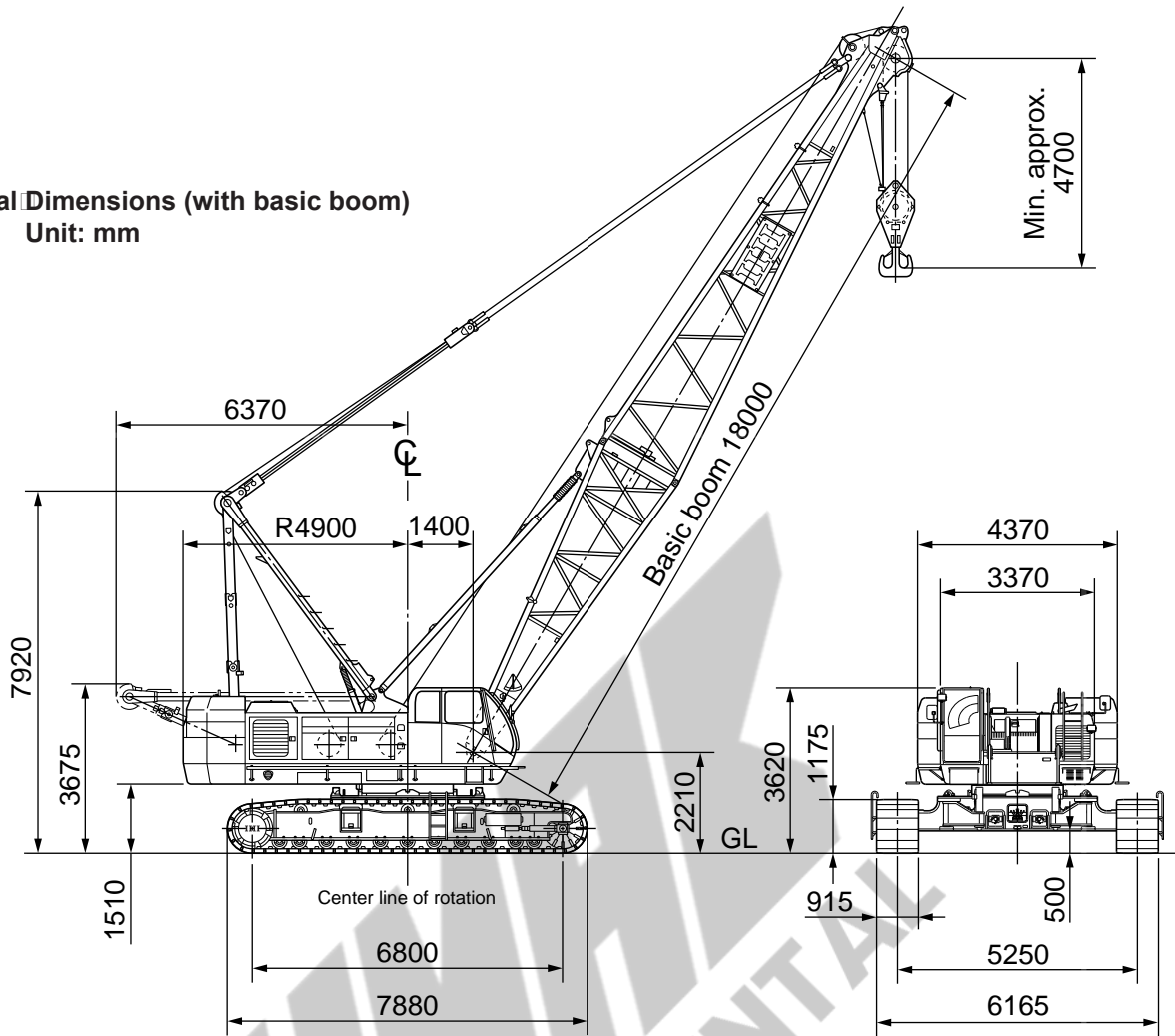


**Post Crane**

**Note:**

Main and Jib hook blocks may not be operated simultaneously.

■ **General Dimensions (with basic boom)**  
 ☒ **Unit: mm**



■ **Specifications**

| Performance                       |   |
|-----------------------------------|---|
| Swing speed                       | 2.2 rpm   |
| Travel speed                      | * 1.5/1.0 km/h (0.93/0.62 mph)  |
| Gradeability                      | 30% (Approx. 16.7° with 18m Boom and 120ton hook block)                                     |
| Engine                            |   |
| Make                              | HINO MOTOR  |
| Model                             | K13C-UV (with turbo) diesel engine 4-cycle, water cooled, overhead valve                    |
| Type                              | Direct injection diesel engine  |
| Total piston displacement         | 12.882 L  |
| Rated output                      | 320 PS/2000 rpm   |
| Fuel tank capacity                | 450 L   |
| Battery                           | 12 V x 150 AH x 2 pcs.  |
| Load hoist system (Main and Aux.) |   |
| Hydraulic motor                   | Variable displacement axial piston type   |
| Reduction gear                    | Two-stage planetary gear and single stage spur gear   |
| Hoist drum                        | Tandem drums driven independently by hydraulic motor, lagging type with lebus grooved drum. |
| Clutch                            | Internal expanding band type  |
| Brake                             | External contracting type   |
| Drum lock                         | Ratchet lock  |
| Hydraulic pump                    | Variable displacement axial piston type x 2<br>Gear pump x 3                                |
| Boom hoist system                 |   |
| Motor                             | Axial piston type   |
| Reduction gear                    | One stage planetary gear + One stage spur gear  |
| Hoist drum                        | Lebus grooved drum  |
| Brake                             | Automatic spring-loaded hydraulically released wet type multi-disk                          |
| Drum lock                         | Ratchet lock  |

\*Travel speed changes depending on the load.

■ **Standard Equipment**

- **Instrument for crane**
    - Engine tachometer (Hour meter)
    - Hydraulic oil pressure gauge (for control circuit)
    - Fuel level gauge
    - Engine coolant thermo indicator
    - Engine oil pressure indicator
    - Hydraulic oil thermo indicator
  - **Lighting for crane**
    - 2-Work light (24v x 80w)
    - 1-Room light (24v x 10w)
  - **Safety device**
    - Automatic stop for hook overwinding
    - Automatic stop for boom overwinding
    - Telescopic boom limit stop
    - Swing lock
    - Main and auxiliary drum lock
    - Boom hoist drum lock
    - 2nd. boom stop device (82° non-resettable)
    - Clutch engage pin on main and auxiliary winch
    - Safety valve for hydraulic circuit
    - Counter balance valve
    - Control lever locking device
  - **Other standard accessories**
    - Front windshield wipers (intermittent, w/washer)
    - Roof wipers (intermittent, w/washer)
    - Sunvisor
    - Sun shade
    - Storage pouch
    - Tool box
    - Reclining operator's seat
    - Floor mat
- Jack device for dismantling
  - Lateral cylinders for dismantling crawler
  - Steps for operator's cab
  - Radio
  - Cigarette lighter
  - Ash tray
  - Large rear view mirrors (right/left)
  - Signal horn
  - Electric fuel filling pump
  - Swing warning flasher
  - Travel warning flasher
  - High "A" frame erecting device
  - Low-noise cab
  - Bronze tinted glass
  - Wire mesh boom workway (for inner boom)
  - Foot rest
  - Electric type engine throttle
  - Foot pedal-type engine throttle
  - Automatic engine deceleration
  - Ultra low speed control
  - Hydraulic assist brake for main and aux. winch
  - Winch mode selector for main and aux. winch
  - Rope guide roller on outer boom
  - Plug socket
  - Loud speaker
  - Emergency engine stop switch
  - OK monitor

## Specifications

|  |                                    |                      |
|--|------------------------------------|----------------------|
| Max. Lifting capacity x working radius | 120 metric tons x 5.0m             |                      |
| Max. boom length                       | 75m                                |                      |
| Max. boom length, (main + jib)         | 88m (63m boom+25m jib)             |                      |
| Rope speed                             | Main drum hoist/lowering           | * 100~50/50~25 m/min |
|  | Aux. drum hoist/lowering           | * 100~50/50~25 m/min |
|  | Boom drum hoist/lowering           | * 60~30 m/min        |
| Part line                              | Hook block capacity x Part line    | 120ton x 10          |
|  | Hook block capacity x Part line    | 11ton x 1            |
|  | Boom drum hoist/lowering part line | 14                   |
| Counterweight                          | 50ton                              |                      |
| Total operating weight (with 18m boom) | 121.5ton (Approx.)                 |                      |
| Average ground bearing pressure        | 0.92kgf/cm <sup>2</sup>            |                      |

\* The rope speed changes depending on the load.

## Combination of Boom and Jib (●: Available combination)

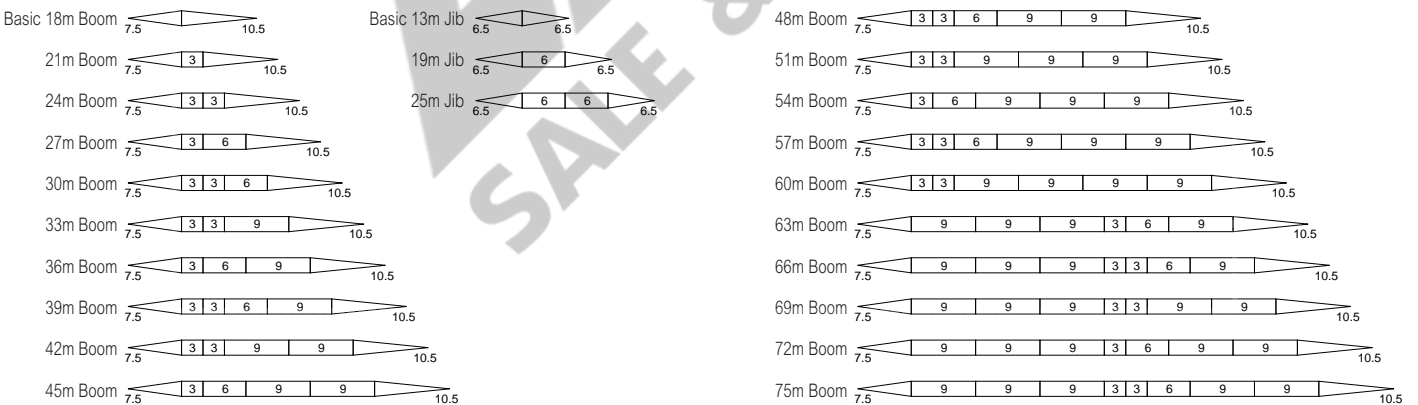
| Jib length (m) | Boom length (m) |    |    |    |    |    |    |    |    |    |    |    |    |    |    |    |    |    |
|----------------|-----------------|----|----|----|----|----|----|----|----|----|----|----|----|----|----|----|----|----|
|                | 18-24           | 27 | 30 | 33 | 36 | 39 | 42 | 45 | 48 | 51 | 54 | 57 | 60 | 63 | 66 | 69 | 72 | 75 |
| Auxiliary      | ☒               | ☒  | ●  | ●  | ●  | ●  | ●  | ●  | ●  | ●  | ●  | ●  | ●  | ●  | ●  | ●  | ●  | ●  |
| 13             | ☒               | ☒  | ☒  | ●  | ●  | ●  | ●  | ●  | ●  | ●  | ●  | ●  | ●  | ●  | ●  | ●  | ●  | ●  |
| 19             | ☒               | ☒  | ☒  | ●  | ●  | ●  | ●  | ●  | ●  | ●  | ●  | ●  | ●  | ●  | ●  | ●  | ●  | ●  |
| 25             | ☒               | ☒  | ☒  | ●  | ●  | ●  | ●  | ●  | ●  | ●  | ●  | ●  | ●  | ●  | ●  | ●  | ●  | ●  |

## Wire rope

| Place of use         | Rope diameter (mm) | Guaranteed strength (ton) | Rope type |
|----------------------|--------------------|---------------------------|-----------|
| Load hoist           | ☒ φ 26             | 61.0                      | A         |
| Boom hoist           | ☒ φ 22             | 36.3                      | B         |
| Boom suspension      | ☒ φ 31.5           | 74.9                      | C         |
| Jib load hoist       | ☒ φ 26             | 61.0                      | A         |
| Jib Boom suspension  | ☒ φ 28             | 59.3                      | C         |
| Jib strut suspension | ☒ φ 28             | 59.3                      | C         |

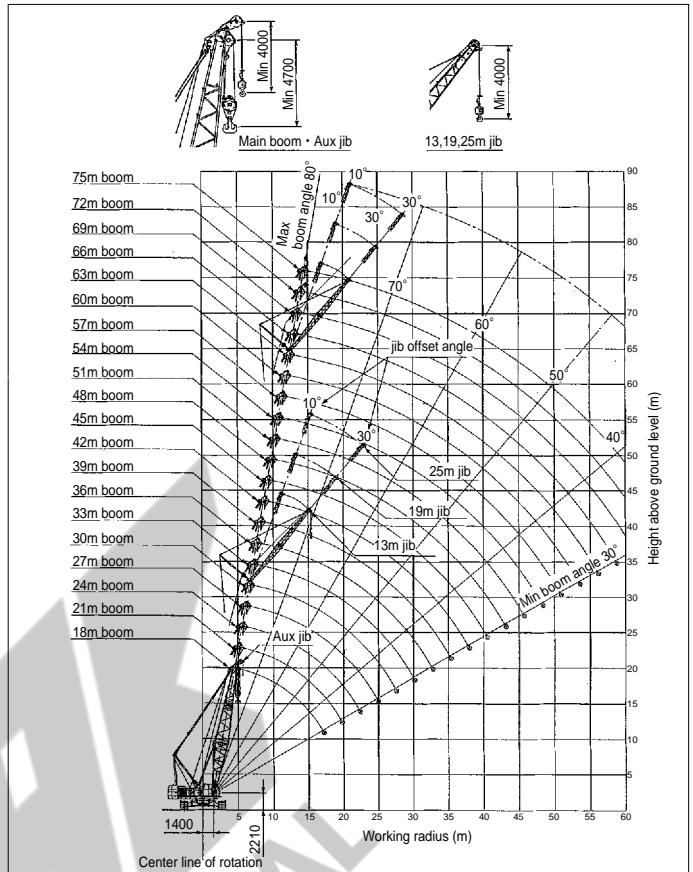
Rope type A: PS(19)+39 x P-7  
 B: IWRC 6 x WS(31)  
 C: IWRC 6 x Fi(29)

## Boom & Jib combination



Note: 1. Compositions shown are for maximum length at time of delivery.  
 2. Required middle suspension for boom length 63m and longer.  
 3. Boom can be converted into a post for tower crane operation by replacing top section.

## Working range (No load condition)



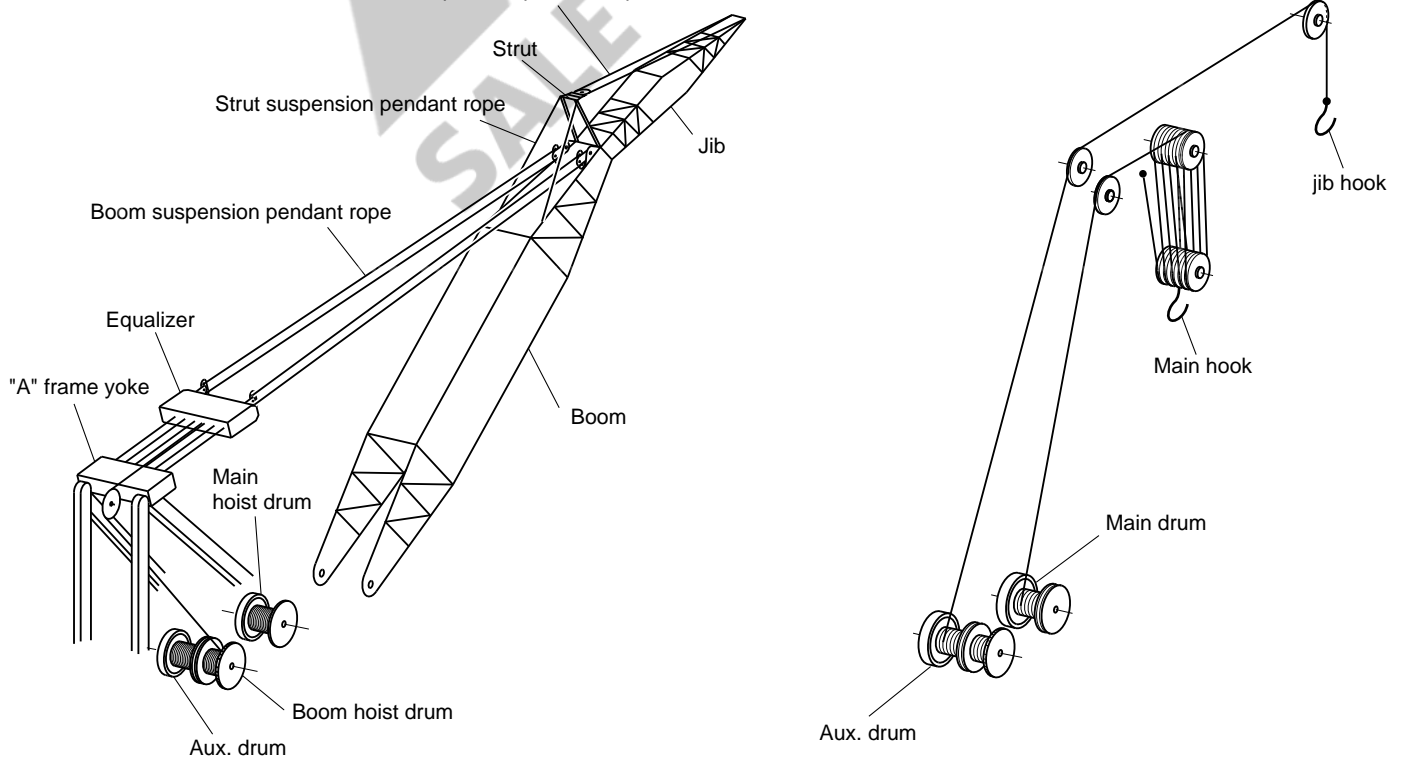
## ■ Main boom rated lifting loads

(Unit: metric ton)

| Boom length (m)<br>Working radius (m) | 18.0         | 21.0         | 24.0         | 27.0         | 30.0         | 33.0         | 36.0        | 39.0         | 42.0         | 45.0         | 48.0         | 51.0         | 54.0         | 57.0         | 60.0         | 63.0         | 66.0         | 69.0         | 72.0         | 75.0         |      |
|---------------------------------------|--------------|--------------|--------------|--------------|--------------|--------------|-------------|--------------|--------------|--------------|--------------|--------------|--------------|--------------|--------------|--------------|--------------|--------------|--------------|--------------|------|
| 5.0                                   | 120.0        |              |              |              |              |              |             |              |              |              |              |              |              |              |              |              |              |              |              |              |      |
| 5.5                                   | 106.7        | 90.0         |              |              |              |              |             |              |              |              |              |              |              |              |              |              |              |              |              |              |      |
| 6.0                                   | 97.0         | 90.0         | 80.0         | 70.0         |              |              |             |              |              |              |              |              |              |              |              |              |              |              |              |              |      |
| 7.0                                   | 83.3         | 81.2         | 75.0         | 7.2m x 70.0  | 7.1m x 60.0  | 7.6m x 50.0  |             |              |              |              |              |              |              |              |              |              |              |              |              |              |      |
| 8.0                                   | 71.7         | 71.5         | 67.5         | 64.0         | 60.0         | 50.0         | 8.1m x 50.0 | 8.6m x 40.0  |              |              |              |              |              |              |              |              |              |              |              |              |      |
| 9.0                                   | 60.6         | 60.0         | 59.7         | 57.5         | 54.1         | 49.5         | 9.5m x 50.0 | 50.0         | 40.0         | 9.2m x 40.0  | 9.7m x 40.0  |              |              |              |              |              |              |              |              |              |      |
| 10.0                                  | 51.8         | 51.6         | 51.5         | 51.0         | 48.8         | 47.4         | 46.0        | 11.3m x 40.0 | 11.2m x 40.0 | 11.0m x 40.0 | 10.2m x 30.0 | 10.7m x 30.0 | 11.2m x 28.3 | 11.8m x 28.1 |              |              |              |              |              |              |      |
| 12.0                                  | 40.6         | 40.4         | 40.3         | 40.2         | 40.0         | 39.2         | 38.4        | 37.8         | 37.5         | 37.1         | 30.0         | 30.0         | 28.3         | 28.1         | 12.3m x 20.0 | 12.8m x 20.0 | 13.3m x 19.0 | 13.8m x 16.0 |              |              |      |
| 14.0                                  | 32.9         | 32.7         | 32.6         | 32.5         | 32.3         | 32.2         | 32.1        | 31.9         | 31.8         | 31.7         | 14.1m x 30.0 | 30.0         | 28.3         | 28.1         | 20.0         | 20.0         | 19.0         | 16.0         | 14.4m x 14.5 | 14.9m x 13.0 |      |
| 16.0                                  | 27.6         | 27.4         | 27.3         | 27.2         | 27.0         | 26.9         | 26.8        | 26.6         | 26.5         | 26.4         | 26.3         | 26.2         | 25.1         | 24.9         | 20.0         | 17.4m x 20.0 | 19.0         | 16.0         | 16.0         | 14.5         | 13.0 |
| 18.0                                  | 17.2m x 25.1 | 23.4         | 23.3         | 23.2         | 23.0         | 22.9         | 22.8        | 22.6         | 22.5         | 22.4         | 22.3         | 22.2         | 22.0         | 21.9         | 20.0         | 19.2         | 17.9         | 16.0         | 14.5         | 13.0         |      |
| 20.0                                  |              | 19.7m x 20.8 | 20.2         | 20.1         | 19.9         | 19.8         | 19.7        | 19.5         | 19.4         | 19.3         | 19.2         | 19.1         | 18.9         | 18.8         | 18.2         | 17.5         | 16.7         | 15.2         | 13.6         | 11.6         |      |
| 22.0                                  |              |              | 17.8         | 17.7         | 17.5         | 17.4         | 17.3        | 17.1         | 17.0         | 16.9         | 16.8         | 16.7         | 16.5         | 16.4         | 16.3         | 15.8         | 15.3         | 14.2         | 12.6         | 10.4         |      |
| 24.0                                  |              |              | 22.3m x 17.5 | 15.8         | 15.6         | 15.5         | 15.4        | 15.2         | 15.1         | 15.0         | 14.9         | 14.8         | 14.6         | 14.5         | 14.4         | 14.2         | 13.8         | 13.0         | 11.6         | 9.4          |      |
| 26.0                                  |              |              |              | 24.9m x 15.0 | 13.9         | 13.8         | 13.7        | 13.5         | 13.4         | 13.3         | 13.2         | 13.1         | 12.9         | 12.8         | 12.7         | 12.5         | 12.3         | 11.9         | 10.5         | 8.4          |      |
| 28.0                                  |              |              |              |              | 27.5m x 12.9 | 12.5         | 12.4        | 12.2         | 12.1         | 12.0         | 11.9         | 11.8         | 11.6         | 11.5         | 11.4         | 11.2         | 11.0         | 10.9         | 9.6          | 7.6          |      |
| 30.0                                  |              |              |              |              |              | 11.3         | 11.2        | 11.0         | 10.9         | 10.8         | 10.7         | 10.6         | 10.4         | 10.3         | 10.2         | 10.0         | 9.8          | 9.7          | 8.7          | 6.9          |      |
| 32.0                                  |              |              |              |              |              | 30.1m x 11.2 | 10.2        | 10.0         | 9.9          | 9.8          | 9.7          | 9.6          | 9.4          | 9.3          | 9.2          | 9.0          | 8.8          | 8.6          | 7.8          | 6.2          |      |
| 34.0                                  |              |              |              |              |              |              | 32.7m x 9.9 | 9.1          | 9.0          | 8.9          | 8.8          | 8.7          | 8.5          | 8.4          | 8.3          | 8.1          | 7.9          | 7.6          | 7.1          | 5.5          |      |
| 36.0                                  |              |              |              |              |              |              |             | 35.3m x 8.6  | 8.2          | 8.1          | 8.0          | 7.9          | 7.7          | 7.6          | 7.5          | 7.3          | 7.1          | 6.7          | 6.4          | 5.0          |      |
| 38.0                                  |              |              |              |              |              |              |             |              | 37.9m x 7.6  | 7.4          | 7.3          | 7.2          | 7.0          | 6.9          | 6.8          | 6.6          | 6.4          | 5.9          | 5.7          | 4.4          |      |
| 40.0                                  |              |              |              |              |              |              |             |              |              | 6.8          | 6.7          | 6.6          | 6.4          | 6.3          | 6.2          | 6.0          | 5.8          | 5.2          | 5.0          | 3.9          |      |
| 42.0                                  |              |              |              |              |              |              |             |              |              | 40.5m x 6.7  | 6.2          | 6.1          | 5.9          | 5.8          | 5.7          | 5.5          | 5.3          | 4.6          | 4.4          | 3.5          |      |
| 44.0                                  |              |              |              |              |              |              |             |              |              |              | 43.1m x 5.9  | 5.6          | 5.4          | 5.3          | 5.2          | 5.0          | 4.8          | 4.2          | 3.9          | 3.0          |      |
| 46.0                                  |              |              |              |              |              |              |             |              |              |              |              | 45.7m x 5.2  | 4.9          | 4.8          | 4.7          | 4.5          | 4.3          | 3.7          | 3.4          | 2.6          |      |
| 48.0                                  |              |              |              |              |              |              |             |              |              |              |              |              | 4.5          | 4.4          | 4.3          | 4.1          | 3.8          | 3.2          | 2.9          | 2.2          |      |
| 50.0                                  |              |              |              |              |              |              |             |              |              |              |              |              | 48.3m x 4.5  | 4.0          | 3.9          | 3.7          | 3.4          | 2.8          | 2.4          | 2.2          |      |
| 52.0                                  |              |              |              |              |              |              |             |              |              |              |              |              |              | 50.9m x 3.9  | 3.6          | 3.4          | 2.9          | 2.4          | 2.0          | 2.0          |      |
| 54.0                                  |              |              |              |              |              |              |             |              |              |              |              |              |              |              | 53.5m x 3.4  | 3.1          | 2.5          | 2.0          | 2.0          | 2.0          |      |

- Notes
- Above rated loads are based on firm level ground, within 78% of tipping load at any point 360° throughout and with front stability of 1.15 or more.
  - Working radius is horizontal distance from center of rotation to a vertical line through the center of gravity of the load.
  - The weight of the slings, hook block(s) and auxiliary lifting devices must be considered to be a part of the load.  
Hook block  
120ton capacity...1.60ton    60ton capacity...1.15ton  
50ton capacity...0.95ton    30ton capacity...0.75ton  
11ton capacity...0.40ton
  - Jib boom can be fitted to main boom in the following combinations.
- | Jib length(m)  | Auxiliary | 13.0      | 19.0      | 25.0      |
|----------------|-----------|-----------|-----------|-----------|
| Boom length(m) | 18.0~72.0 | 30.0~63.0 | 30.0~63.0 | 30.0~63.0 |
- When jib boom is fitted actual loads that can be lifted with main hook block should be reduced according to the above chart (the weights include that of the auxiliary hook block).
- | Jib length(m)              | Auxiliary | 13.0 | 19.0 | 25.0 |
|----------------------------|-----------|------|------|------|
| Weight to be deducted(ton) | 0.70      | 2.80 | 3.30 | 3.90 |
- High "A" Frame should be extended before working.
  - The rated loads for the Auxiliary jib must be reduced 0.7 ton from same radius of rated lifting loads of the main boom which installed the jib.  
The rated loads for the 13m jib~25m jib are same as main boom's one which installed jib.(Ref Jib rated lifting loads)  
However do not exceed below limit.
- | Jib length(m)       | Auxiliary | 13.0 | 19.0 | 25.0 |
|---------------------|-----------|------|------|------|
| Jib offset angle    | —         | 10°  | 30°  | 10°  |
| Limited loads (ton) | 11.0      | 11.0 | 8.5  | 10.0 |
|                     |           |      |      | 6.5  |
|                     |           |      |      | 6.5  |
|                     |           |      |      | 4.5  |
- The rated load for Jib when the main hook is installed must be reduced by the total weight of the main hook and jib hook.
  - Depending on the number of part lines, rated lifting load is limited as follows:  
1Part line...up to 12ton    2Part line...up to 24ton  
3Part line...up to 36ton    4Part line...up to 48ton  
5Part line...up to 60ton    6Part line...up to 72ton  
7Part line...up to 84ton    8Part line...up to 96ton  
9Part line...up to 108ton    10Part line...up to 120ton
  - Rated loads shown in bold lines are based on structural strength factors.

### Jib suspension pendant rope



## Auxiliary jib rated lifting loads

(Unit:metric ton)

| Boom length (m)    | 18.0         | 21.0         | 24.0         | 27.0        | 30.0         | 33.0         | 36.0         | 39.0         | 42.0         | 45.0         | 48.0         | 51.0         | 54.0         | 57.0         | 60.0         | 63.0         | 66.0         | 69.0         | 72.0         |
|--------------------|--------------|--------------|--------------|-------------|--------------|--------------|--------------|--------------|--------------|--------------|--------------|--------------|--------------|--------------|--------------|--------------|--------------|--------------|--------------|
| Working radius (m) | 18.0         | 21.0         | 24.0         | 27.0        | 30.0         | 33.0         | 36.0         | 39.0         | 42.0         | 45.0         | 48.0         | 51.0         | 54.0         | 57.0         | 60.0         | 63.0         | 66.0         | 69.0         | 72.0         |
| 5.5                | 5.7m x 11.0  |              |              |             |              |              |              |              |              |              |              |              |              |              |              |              |              |              |              |
| 6.0                | 11.0         | 6.2m x 11.0  | 6.7m x 11.0  |             |              |              |              |              |              |              |              |              |              |              |              |              |              |              |              |
| 7.0                | 11.0         | 11.0         | 11.0         | 7.2m x 11.0 | 7.8m x 11.0  |              |              |              |              |              |              |              |              |              |              |              |              |              |              |
| 8.0                | 11.0         | 11.0         | 11.0         | 11.0        | 11.0         | 8.3m x 11.0  | 8.8m x 11.0  |              |              |              |              |              |              |              |              |              |              |              |              |
| 9.0                | 11.0         | 11.0         | 11.0         | 11.0        | 11.0         | 11.0         | 11.0         | 9.3m x 11.0  | 9.8m x 11.0  |              |              |              |              |              |              |              |              |              |              |
| 10.0               | 11.0         | 11.0         | 11.0         | 11.0        | 11.0         | 11.0         | 11.0         | 11.0         | 11.0         | 10.4m x 11.0 | 10.9m x 11.0 | 11.4m x 11.0 | 11.9m x 11.0 |              |              |              |              |              |              |
| 12.0               | 11.0         | 11.0         | 11.0         | 11.0        | 11.0         | 11.0         | 11.0         | 11.0         | 11.0         | 11.0         | 11.0         | 11.0         | 11.0         | 12.5m x 11.0 | 13.0m x 11.0 | 13.5m x 11.0 |              |              |              |
| 14.0               | 11.0         | 11.0         | 11.0         | 11.0        | 11.0         | 11.0         | 11.0         | 11.0         | 11.0         | 11.0         | 11.0         | 11.0         | 11.0         | 11.0         | 11.0         | 11.0         | 11.0         | 14.5m x 11.0 |              |
| 16.0               | 11.0         | 11.0         | 11.0         | 11.0        | 11.0         | 11.0         | 11.0         | 11.0         | 11.0         | 11.0         | 11.0         | 11.0         | 11.0         | 11.0         | 11.0         | 11.0         | 11.0         | 11.0         | 15.1m x 11.0 |
| 18.0               | 11.0         | 11.0         | 11.0         | 11.0        | 11.0         | 11.0         | 11.0         | 11.0         | 11.0         | 11.0         | 11.0         | 11.0         | 11.0         | 11.0         | 11.0         | 11.0         | 11.0         | 11.0         | 11.0         |
| 20.0               | 18.5m x 11.0 | 11.0         | 11.0         | 11.0        | 11.0         | 11.0         | 11.0         | 11.0         | 11.0         | 11.0         | 11.0         | 11.0         | 11.0         | 11.0         | 11.0         | 11.0         | 11.0         | 11.0         | 11.0         |
| 22.0               |              | 21.1m x 11.0 | 11.0         | 11.0        | 11.0         | 11.0         | 11.0         | 11.0         | 11.0         | 11.0         | 11.0         | 11.0         | 11.0         | 11.0         | 11.0         | 11.0         | 11.0         | 11.0         | 11.0         |
| 24.0               |              |              | 23.7m x 11.0 | 11.0        | 11.0         | 11.0         | 11.0         | 11.0         | 11.0         | 11.0         | 11.0         | 11.0         | 11.0         | 11.0         | 11.0         | 11.0         | 11.0         | 11.0         | 23.8m x 11.0 |
| 26.0               |              |              |              | 11.0        | 11.0         | 11.0         | 11.0         | 11.0         | 11.0         | 11.0         | 11.0         | 11.0         | 11.0         | 27.7m x 11.0 | 27.6m x 11.0 | 27.4m x 11.0 | 27.1m x 11.0 | 26.9m x 11.0 | 26.4m x 11.0 |
| 28.0               |              |              |              |             | 26.3m x 11.0 | 11.0         | 29.2m x 11.0 | 29.0m x 11.0 | 28.7m x 11.0 | 28.5m x 11.0 | 28.4m x 11.0 | 28.2m x 11.0 | 11.0         | 10.9         | 10.8         | 10.7         | 10.5         | 10.3         | 10.2         |
| 30.0               |              |              |              |             |              | 28.9m x 11.0 | 10.6         | 10.5         | 10.3         | 10.2         | 10.1         | 10.0         | 9.9          | 9.7          | 9.6          | 9.5          | 9.3          | 9.1          | 9.0          |
| 32.0               |              |              |              |             |              |              | 31.5m x 9.8  | 9.5          | 9.3          | 9.2          | 9.1          | 9.0          | 8.9          | 8.7          | 8.6          | 8.5          | 8.3          | 8.1          | 7.9          |
| 34.0               |              |              |              |             |              |              |              | 8.6          | 8.4          | 8.3          | 8.2          | 8.1          | 8.0          | 7.8          | 7.7          | 7.6          | 7.4          | 7.2          | 6.9          |
| 36.0               |              |              |              |             |              |              |              |              | 7.6          | 7.5          | 7.4          | 7.3          | 7.2          | 7.0          | 6.9          | 6.8          | 6.6          | 6.4          | 6.0          |
| 38.0               |              |              |              |             |              |              |              |              |              | 36.6m x 7.4  | 6.8          | 6.7          | 6.6          | 6.5          | 6.3          | 6.2          | 6.1          | 5.9          | 5.7          |
| 40.0               |              |              |              |             |              |              |              |              |              |              | 39.2m x 6.4  | 6.1          | 6.0          | 5.9          | 5.7          | 5.6          | 5.5          | 5.3          | 5.1          |
| 42.0               |              |              |              |             |              |              |              |              |              |              |              | 41.8m x 5.6  | 5.5          | 5.4          | 5.2          | 5.1          | 5.0          | 4.8          | 4.6          |
| 44.0               |              |              |              |             |              |              |              |              |              |              |              |              | 5.0          | 4.9          | 4.7          | 4.6          | 4.5          | 4.3          | 4.1          |
| 46.0               |              |              |              |             |              |              |              |              |              |              |              |              | 44.4m x 4.9  | 4.4          | 4.2          | 4.1          | 4.0          | 3.8          | 3.6          |
| 48.0               |              |              |              |             |              |              |              |              |              |              |              |              |              | 47.0m x 4.2  | 3.8          | 3.7          | 3.6          | 3.4          | 3.1          |
| 50.0               |              |              |              |             |              |              |              |              |              |              |              |              |              |              | 49.6m x 3.5  | 3.3          | 3.2          | 3.0          | 2.7          |
| 52.0               |              |              |              |             |              |              |              |              |              |              |              |              |              |              |              | 3.0          | 2.9          | 2.7          | 2.2          |
| 54.0               |              |              |              |             |              |              |              |              |              |              |              |              |              |              |              |              | 52.2m x 2.9  | 2.6          | 2.4          |

- Notes
- Above rated loads are based on firm level ground, within 78% of tipping load at any point 360° throughout and with front stability of 1.15 or more.
  - Working radius is horizontal distance from center of rotation to a vertical line through the center of gravity of the load.
  - When the main hook block is installed, the lifting loads of jib must be reduced by the weight of hook block (main and jib) and other lifting devices.  
 120ton hook block...1.60ton  
 50ton hook block...0.95ton  
 11ton hook block...0.40ton  
 60ton hook block...1.15ton  
 30ton hook block...0.75ton

## Jib rated lifting loads

| Boom length (m)    | 30.0         |             |             |     |      |     | 42.0 |     |      |     |      |     | 63.0 |     |      |     |      |     |
|--------------------|--------------|-------------|-------------|-----|------|-----|------|-----|------|-----|------|-----|------|-----|------|-----|------|-----|
| Jib length (m)     | 30.0         |             |             |     |      |     | 42.0 |     |      |     |      |     | 63.0 |     |      |     |      |     |
| Offset angle       | 13.0         |             | 19.0        |     | 25.0 |     | 13.0 |     | 19.0 |     | 25.0 |     | 13.0 |     | 19.0 |     | 25.0 |     |
| Working radius (m) | 10°          | 30°         | 10°         | 30° | 10°  | 30° | 10°  | 30° | 10°  | 30° | 10°  | 30° | 10°  | 30° | 10°  | 30° | 10°  | 30° |
| 9.0                |              |             |             |     |      |     |      |     |      |     |      |     |      |     |      |     |      |     |
| 10.0               | 11.3m x 11.0 |             |             |     |      |     |      |     |      |     |      |     |      |     |      |     |      |     |
| 12.0               | 11.0         |             |             |     |      |     |      |     |      |     |      |     |      |     |      |     |      |     |
| 14.0               | 11.0         | 15.0m x 8.5 | 10.0        |     |      |     |      |     |      |     |      |     |      |     |      |     |      |     |
| 16.0               | 11.0         | 8.5         | 10.0        |     |      |     |      |     |      |     |      |     |      |     |      |     |      |     |
| 18.0               | 11.0         | 8.5         | 10.0        |     |      |     |      |     |      |     |      |     |      |     |      |     |      |     |
| 20.0               | 11.0         | 8.5         | 10.0        |     |      |     |      |     |      |     |      |     |      |     |      |     |      |     |
| 22.0               | 11.0         | 8.5         | 10.0        |     |      |     |      |     |      |     |      |     |      |     |      |     |      |     |
| 24.0               | 11.0         | 8.5         | 10.0        |     |      |     |      |     |      |     |      |     |      |     |      |     |      |     |
| 26.0               | 11.0         | 8.5         | 10.0        |     |      |     |      |     |      |     |      |     |      |     |      |     |      |     |
| 28.0               | 11.0         | 8.5         | 10.0        |     |      |     |      |     |      |     |      |     |      |     |      |     |      |     |
| 30.0               | 30.7m x 11.0 | 8.5         | 10.0        |     |      |     |      |     |      |     |      |     |      |     |      |     |      |     |
| 32.0               | 10.4         | 8.5         | 10.0        |     |      |     |      |     |      |     |      |     |      |     |      |     |      |     |
| 34.0               | 9.5          | 8.5         | 9.5         |     |      |     |      |     |      |     |      |     |      |     |      |     |      |     |
| 36.0               | 8.7          | 36.6m x 8.5 | 8.7         |     |      |     |      |     |      |     |      |     |      |     |      |     |      |     |
| 38.0               | 8.0          | 8.0         | 8.0         |     |      |     |      |     |      |     |      |     |      |     |      |     |      |     |
| 40.0               | 7.4          | 7.4         | 7.4         |     |      |     |      |     |      |     |      |     |      |     |      |     |      |     |
| 42.0               | 40.1m x 7.4  | 41.1m x 7.1 | 6.9         |     |      |     |      |     |      |     |      |     |      |     |      |     |      |     |
| 44.0               |              |             | 6.4         |     |      |     |      |     |      |     |      |     |      |     |      |     |      |     |
| 46.0               |              |             | 45.8m x 6.0 |     |      |     |      |     |      |     |      |     |      |     |      |     |      |     |
| 48.0               |              |             |             |     |      |     |      |     |      |     |      |     |      |     |      |     |      |     |
| 50.0               |              |             |             |     |      |     |      |     |      |     |      |     |      |     |      |     |      |     |
| 52.0               |              |             |             |     |      |     |      |     |      |     |      |     |      |     |      |     |      |     |
| 54.0               |              |             |             |     |      |     |      |     |      |     |      |     |      |     |      |     |      |     |
| 56.0               |              |             |             |     |      |     |      |     |      |     |      |     |      |     |      |     |      |     |
| 58.0               |              |             |             |     |      |     |      |     |      |     |      |     |      |     |      |     |      |     |
| 60.0               |              |             |             |     |      |     |      |     |      |     |      |     |      |     |      |     |      |     |

- Notes
- Above rated loads are based on firm level ground, within 78% of tipping load at any point 360° throughout and with front stability of 1.15 or more.
  - Working radius is horizontal distance from center of rotation to a vertical line through the center of gravity of the load.
  - When the main hook block is installed, the lifting loads of jib must be reduced by the weight of hook block (main and jib) and other lifting devices.  
 120ton hook block...1.60ton  
 50ton hook block...0.95ton  
 11ton hook block...0.40ton  
 60ton hook block...1.15ton  
 30ton hook block...0.75ton

# Luffing Jib Crane

CCH1200

## Specifications

|  |                          |                                 |
|--|--------------------------|---------------------------------|
| Max. lifting capacity x working radius                                     | at Post                  | 40metric tons x 10.8m           |
|  | at Jib                   | 20metric tons x 14.0m           |
| Max. lift above ground level   |                          | 92m(51.25m post+44m jib)        |
| Rope speed   | Main drum hoist/lowering | * 100~50/50~25m/min             |
|  | Aux.drums hoist/lowering | * 100~50/50~25m/min             |
|  | Post hoist/lowering      | * 60~30m/min                    |
|  | Jib hoist/lowering       | * 60~30m/min                    |
| Part line  | at Post                  | Hook block capacity x Part line |
|  |                          | Hook block capacity x Part line |
|  | at Jib                   | Hook block capacity x Part line |
|  |                          | Hook block capacity x Part line |
|  | Post hoist               | 14                              |
|  | Jib hoist                | 8                               |
| Counterweight  |                          | 50ton                           |
| Total operating weight<br>(with 51.25m post+40ton hook+44m jib+20ton hook) |                          | 137.9ton                        |
| Average ground bearing pressure  |                          | 1.04kgf/cm <sup>2</sup>         |

Note: The rope speed changes depending on the load.

## Combination of post and Jib

| Jib length (m) | Post length(m) |       |       |       |       |       |       |       |       |       |       |       |       |       |       |       |       |
|----------------|----------------|-------|-------|-------|-------|-------|-------|-------|-------|-------|-------|-------|-------|-------|-------|-------|-------|
|                | 18.25          | 21.25 | 24.25 | 27.25 | 30.25 | 33.25 | 36.25 | 39.25 | 42.25 | 45.25 | 48.25 | 51.25 | 54.25 | 57.25 | 60.25 | 63.25 | 66.25 |
| 23             |                |       |       | ●     | ●     | ●     | ●     | ●     | ●     | ●     | ●     | ●     | ●     | ●     | ●     | ●     | ●     |
| 26             |                |       |       | ●     | ●     | ●     | ●     | ●     | ●     | ●     | ●     | ●     | ●     | ●     | ●     | ●     | ●     |
| 29             |                |       |       | ●     | ●     | ●     | ●     | ●     | ●     | ●     | ●     | ●     | ●     | ●     | ●     | ●     | ●     |
| 32             |                |       |       | ●     | ●     | ●     | ●     | ●     | ●     | ●     | ●     | ●     | ●     | ●     | ●     | ●     | ●     |
| 35             |                |       |       | ●     | ●     | ●     | ●     | ●     | ●     | ●     | ●     | ●     | ●     | ●     | ●     | ●     | ●     |
| 38             |                |       |       | ●     | ●     | ●     | ●     | ●     | ●     | ●     | ●     | ●     | ●     | ●     | ●     | ●     | ●     |
| 41             |                |       |       | ●     | ●     | ●     | ●     | ●     | ●     | ●     | ●     | ●     | ●     | ●     | ●     | ●     | ●     |
| 44             |                |       |       | ●     | ●     | ●     | ●     | ●     | ●     | ●     | ●     | ●     | ●     | ●     | ●     | ●     | ●     |

Note: ●:Possible combinations.

## Wire rope

| Place of use     | Rope diameter (mm) | Guaranteed strength (t) | Rope type       |
|------------------|--------------------|-------------------------|-----------------|
| Main drum        | φ 26               | 61.0                    | PS(19)+39 x P·7 |
| Aux.drums        | φ 26               | 61.0                    | PS(19)+39 x P·7 |
| Post hoist       | φ 22               | 36.3                    | IWRC6 x WS(31)  |
| Jib hoist        | φ 26               | 57.8                    | IWRC6 x WS(31)  |
| Post suspension  | φ 31.5             | 74.9                    | IWRC6 x Fi(29)  |
| Jib suspension   | φ 34               | 86.7                    | IWRC6 x Fi(29)  |
| Strut suspension | φ 34               | 86.7                    | IWRC6 x Fi(29)  |

Note: Wire rope length to be decided according to the ordered boom length.

## Post Composition

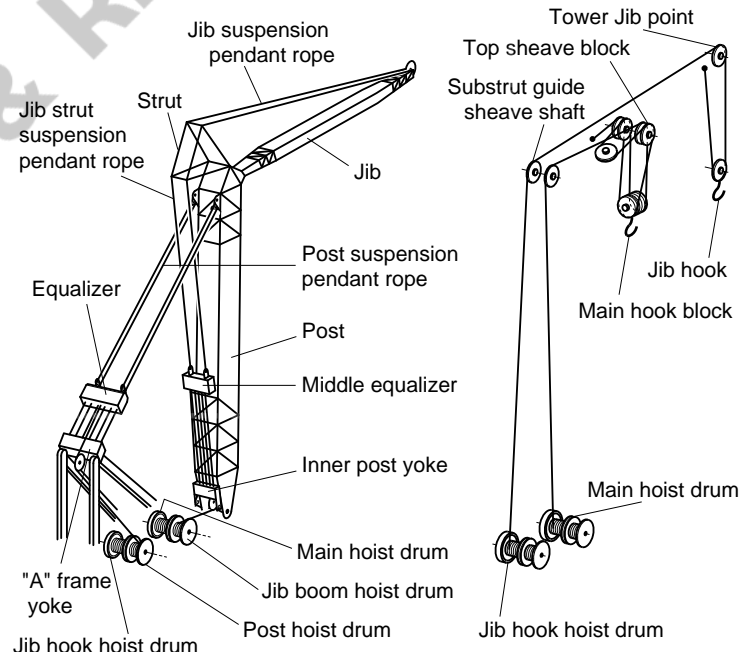
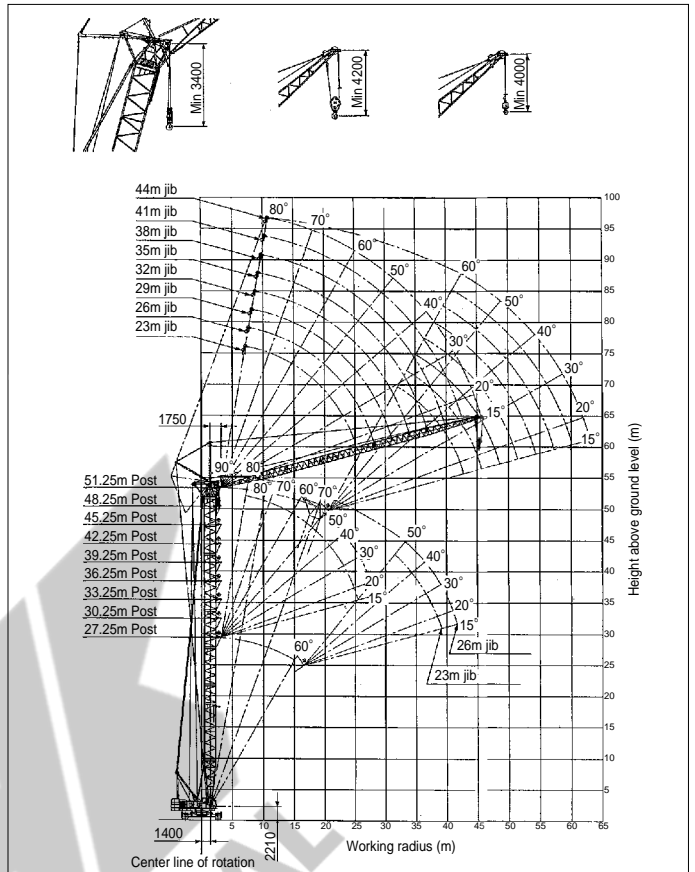
| Post length(m) | Post Composition(m)                       |
|----------------|---|
| 18.25          | 7.5(inner)+*9.0+1.75(outer)               |
| 21.25          | 7.5+*9.0+3.0+1.75                         |
| 24.25          | 7.5+*9.0+6.0+1.75                         |
| 27.25          | 7.5+*9.0+9.0+1.75                         |
| 30.25          | 7.5+*9.0+3.0+9.0+1.75                     |
| 33.25          | 7.5+*9.0+6.0+9.0+1.75                     |
| 36.25          | 7.5+*9.0+9.0+9.0+1.75                     |
| 39.25          | 7.5+*9.0+3.0+9.0+9.0+1.75                 |
| 42.25          | 7.5+*9.0+6.0+9.0+9.0+1.75                 |
| 45.25          | 7.5+*9.0+3.0+6.0+9.0+9.0+1.75             |
| 48.25          | 7.5+*9.0+6.0+6.0+9.0+9.0+1.75             |
| 51.25          | 7.5+*9.0+3.0+6.0+6.0+9.0+9.0+1.75         |
| 54.25          | 7.5+*9.0+3.0+6.0+9.0+9.0+9.0+1.75         |
| 57.25          | 7.5+*9.0+3.0+3.0+6.0+9.0+9.0+9.0+1.75     |
| 60.25          | 7.5+*9.0+3.0+6.0+6.0+9.0+9.0+9.0+1.75     |
| 63.25          | 7.5+*9.0+3.0+6.0+9.0+9.0+9.0+9.0+1.75     |
| 66.25          | 7.5+*9.0+3.0+3.0+6.0+9.0+9.0+9.0+9.0+1.75 |

Notes  
 1. 9.0m insert post (\*9.0) is installed to the middle equalizer guide rail and load hoist guide sheave.  
 2. 3.0m~9.0m insert post including jib strut suspension pendant rope.  
 3. Required middle suspension for post length 54.25 m and long.

## Jib Composition

| Jib length(m) | Jib Composition(m)        |
|---------------|---------------------------|
| 23            | 8.0(inner)+6.0+9.0(outer) |
| 26            | 8.0+3+6+9.0               |
| 29            | 8.0+3+9+9.0               |
| 32            | 8.0+6+9+9.0               |
| 35            | 8.0+9+9+9.0               |
| 38            | 8.0+3+9+9+9.0             |
| 41            | 8.0+6+9+9+9.0             |
| 44            | 8.0+3+6+9+9+9.0           |

## Working range (No load condition)







# Luffing Jib Crane

**CC1200**

■ Jib rated lifting loads

(Unit: metric ton)

| Post length(m) | 27.25       |              |             |             |              |     |             |              |             | 36.25       |              |             |             |             |     |              |             |             |             |             |             |
|----------------|-------------|--------------|-------------|-------------|--------------|-----|-------------|--------------|-------------|-------------|--------------|-------------|-------------|-------------|-----|--------------|-------------|-------------|-------------|-------------|-------------|
|                | 23.0        |              |             | 26.0        |              |     | 23.0        |              |             | 26.0        |              |             | 29.0        |             |     | 32.0         |             |             | 35.0        |             |             |
|                | 90°         | 75°          | 60°         | 90°         | 75°          | 60° | 90°         | 75°          | 60°         | 90°         | 75°          | 60°         | 90°         | 75°         | 60° | 90°          | 75°         | 60°         | 90°         | 75°         | 60°         |
| 7.2            | 20.0        |              |             | 7.7m x 18.0 |              |     | 20.0        |              |             | 7.7m x 18.0 |              |             | 8.2m x 16.0 |             |     | 8.8m x 15.2  |             |             | 9.3m x 14.0 |             |             |
| 10.0           | 20.0        |              |             | 18.0        |              |     | 20.0        |              |             | 18.0        |              |             | 16.0        |             |     | 15.2         |             |             | 14.0        |             |             |
| 12.0           | 20.0        |              |             | 18.0        |              |     | 20.0        |              |             | 18.0        |              |             | 16.0        |             |     | 15.2         |             |             | 14.0        |             |             |
| 14.0           | 20.0        |              |             | 18.0        |              |     | 20.0        |              |             | 18.0        |              |             | 16.0        |             |     | 15.2         |             |             | 14.0        |             |             |
| 15.0           | 18.0        |              |             | 18.0        |              |     | 18.0        |              |             | 18.0        |              |             | 16.0        |             |     | 15.2         |             |             | 14.0        |             |             |
| 16.0           | 16.6        |              |             | 16.5        |              |     | 16.6        |              |             | 16.5        |              |             | 16.0        |             |     | 17.0m x 15.2 |             |             | 13.5        |             |             |
| 18.0           | 14.3        | 19.9m x 12.8 |             | 14.3        |              |     | 14.3        |              |             | 14.3        |              |             | 14.3        |             |     | 14.2         |             |             | 12.5        |             |             |
| 20.0           | 12.7        | 12.7         |             | 12.7        | 21.2m x 11.9 |     | 12.7        |              |             | 12.7        |              |             | 12.7        |             |     | 12.7         |             |             | 11.4        |             |             |
| 22.0           | 11.4        | 11.4         |             | 11.4        | 11.4         |     | 11.4        | 22.2m x 11.3 |             | 11.4        | 23.5m x 10.6 |             | 11.4        |             |     | 11.4         |             |             | 10.5        |             |             |
| 24.0           | 10.3        | 10.3         |             | 10.3        | 10.3         |     | 10.3        | 10.3         |             | 10.3        | 10.3         |             | 10.3        | 24.8m x 9.9 |     | 10.3         |             |             | 9.6         |             |             |
| 26.0           | 25.3m x 9.8 | 9.5          |             | 9.4         | 9.4          |     | 25.3m x 9.8 | 9.5          |             | 9.4         | 9.4          |             | 9.4         | 9.4         |     | 9.4          | 9.4         |             | 8.8         | 27.3m x 8.3 |             |
| 28.0           |             | 9.0          |             | 8.8         | 8.8          |     |             | 9.0          |             | 8.8         | 8.8          |             | 8.9         | 8.9         |     | 8.5          | 8.5         |             | 8.1         | 8.1         |             |
| 30.0           |             | 8.5          | 31.4m x 8.2 | 28.2m x 8.8 | 8.5          |     | 8.5         |              | 28.2m x 8.7 | 8.3         |              | 8.2         | 8.2         |             | 7.7 | 7.7          |             | 7.4         | 7.4         |             |             |
| 32.0           |             | 8.1          | 8.1         | 8.2         | 33.3m x 8.0  |     | 8.1         |              |             | 7.9         |              | 31.1m x 7.8 | 7.6         |             | 7.0 | 7.0          |             | 6.9         | 6.9         |             |             |
| 34.0           |             | 32.3m x 8.0  | 7.8         | 7.9         | 7.9          |     | 7.8         | 35.9m x 7.4  |             | 7.6         |              |             | 7.3         |             | 6.6 | 6.6          |             | 6.4         | 6.4         |             |             |
| 36.0           |             |              | 7.3         | 35.2m x 7.6 | 7.4          |     | 34.6m x 7.7 | 7.3          |             | 7.3         | 37.8m x 6.9  |             | 7.0         |             |     | 6.2          |             | 6.0         | 6.0         |             |             |
| 38.0           |             |              | 6.6         |             | 6.7          |     |             | 6.5          |             | 37.5m x 7.0 | 6.8          |             | 6.7         | 39.7m x 6.5 |     | 5.8          |             | 36.9m x 5.9 | 5.7         |             |             |
| 40.0           |             |              | 38.7m x 6.3 |             | 6.3          |     |             | 5.7          |             |             | 6.0          |             | 6.4         | 6.4         |     | 5.5          | 41.7m x 5.3 |             | 5.4         |             |             |
| 42.0           |             |              |             |             | 41.6m x 6.0  |     |             | 5.1          |             |             | 5.1          |             | 40.4m x 6.3 | 5.6         |     | 5.2          | 5.2         |             | 5.1         | 43.6m x 4.9 |             |
| 44.0           |             |              |             |             |              |     |             | 43.2m x 4.8  |             |             | 4.4          |             | 4.7         |             |     | 43.3m x 5.0  | 4.9         |             | 4.8         | 4.8         |             |
| 46.0           |             |              |             |             |              |     |             |              |             |             | 4.2          |             | 4.3         |             |     |              | 4.2         |             | 4.6         | 4.6         |             |
| 48.0           |             |              |             |             |              |     |             |              |             |             | 46.1m x 4.2  |             | 4.0         |             |     |              | 3.8         |             | 46.2m x 4.6 | 4.2         |             |
| 50.0           |             |              |             |             |              |     |             |              |             |             |              |             | 49.0m x 3.9 |             |     |              | 3.6         |             |             | 3.7         |             |
| 52.0           |             |              |             |             |              |     |             |              |             |             |              |             |             |             |     |              | 51.9m x 3.4 |             |             | 3.5         |             |
| 54.0           |             |              |             |             |              |     |             |              |             |             |              |             |             |             |     |              |             |             |             | 3.3         |             |
| 56.0           |             |              |             |             |              |     |             |              |             |             |              |             |             |             |     |              |             |             |             |             | 54.8m x 3.2 |

| Post length(m) | 39.25       |              |             |             |              |             |             |             |             |              |             |             |             |             |             |             |             |             |             |  |
|----------------|-------------|--------------|-------------|-------------|--------------|-------------|-------------|-------------|-------------|--------------|-------------|-------------|-------------|-------------|-------------|-------------|-------------|-------------|-------------|--|
|                | 23.0        |              |             | 26.0        |              |             | 29.0        |             |             | 32.0         |             |             | 35.0        |             |             | 38.0        |             |             |             |  |
|                | 90°         | 75°          | 60°         | 90°         | 75°          | 60°         | 90°         | 75°         | 60°         | 90°          | 75°         | 60°         | 90°         | 75°         | 60°         | 90°         | 75°         | 60°         |             |  |
| 7.2            | 20.0        |              |             | 7.7m x 18.0 |              |             | 8.2m x 16.0 |             |             | 8.8m x 15.2  |             |             | 9.3m x 14.0 |             |             | 9.8m x 12.0 |             |             |             |  |
| 10.0           | 20.0        |              |             | 18.0        |              |             | 16.0        |             |             | 15.2         |             |             | 14.0        |             |             | 12.0        |             |             |             |  |
| 12.0           | 20.0        |              |             | 18.0        |              |             | 16.0        |             |             | 15.2         |             |             | 14.0        |             |             | 12.0        |             |             |             |  |
| 14.0           | 20.0        |              |             | 18.0        |              |             | 16.0        |             |             | 15.2         |             |             | 14.0        |             |             | 12.0        |             |             |             |  |
| 15.0           | 18.0        |              |             | 18.0        |              |             | 16.0        |             |             | 15.2         |             |             | 14.0        |             |             | 12.0        |             |             |             |  |
| 16.0           | 16.6        |              |             | 16.5        |              |             | 16.0        |             |             | 17.0m x 15.2 |             |             | 13.5        |             |             | 12.0        |             |             |             |  |
| 18.0           | 14.3        |              |             | 14.3        |              |             | 14.3        |             |             | 14.2         |             |             | 12.5        |             |             | 12.0        |             |             |             |  |
| 20.0           | 12.7        |              |             | 12.7        |              |             | 12.7        |             |             | 12.7         |             |             | 11.4        |             |             | 11.1        |             |             |             |  |
| 22.0           | 11.4        | 23.0m x 10.8 |             | 11.4        |              |             | 11.4        |             |             | 11.4         |             |             | 10.5        |             |             | 10.2        |             |             |             |  |
| 24.0           | 10.3        | 10.3         |             | 10.3        | 24.3m x 10.2 |             | 10.3        | 25.5m x 9.6 |             | 10.3         |             |             | 9.6         |             |             | 9.4         |             |             |             |  |
| 26.0           | 25.3m x 9.8 | 9.5          |             | 9.4         | 9.4          |             | 9.4         | 9.4         |             | 9.4          | 26.8m x 9.0 |             | 8.8         |             |             | 8.6         |             |             |             |  |
| 28.0           |             | 9.0          |             | 8.7         | 8.7          |             | 8.9         | 8.9         |             | 8.5          | 8.5         |             | 8.1         | 28.1m x 8.0 |             | 7.9         | 29.4m x 7.4 |             |             |  |
| 30.0           |             | 8.5          |             | 28.2m x 8.7 | 8.2          |             | 7.9         | 7.9         |             | 7.7          | 7.7         |             | 7.4         | 7.4         |             | 7.2         | 7.2         |             |             |  |
| 32.0           |             | 8.1          |             |             | 7.7          |             | 31.1m x 7.6 | 7.3         |             | 7.0          | 7.0         |             | 6.9         | 6.9         |             | 6.7         | 6.7         |             |             |  |
| 34.0           |             | 7.8          |             |             | 7.4          |             |             | 6.9         |             | 6.6          | 6.6         |             | 6.4         | 6.4         |             | 6.2         | 6.2         |             |             |  |
| 36.0           |             | 35.4m x 7.5  | 37.4m x 6.7 |             | 7.1          |             |             | 6.6         |             |              | 6.2         |             | 6.0         | 6.0         |             | 5.8         | 5.8         |             |             |  |
| 38.0           |             |              | 6.5         |             | 6.8          | 39.3m x 6.3 |             | 6.4         |             |              | 5.8         |             | 36.9m x 5.9 | 5.7         |             | 5.4         | 5.4         |             |             |  |
| 40.0           |             |              | 5.6         |             | 38.3m x 6.7  | 6.0         |             | 6.1         | 41.2m x 5.8 |              | 5.5         |             | 5.4         |             |             | 39.8m x 5.1 | 5.1         |             |             |  |
| 42.0           |             |              | 5.0         |             |              | 5.1         |             | 41.2m x 5.8 | 5.5         |              | 5.2         | 43.2m x 5.0 |             | 5.1         |             |             |             | 4.8         |             |  |
| 44.0           |             |              | 4.3         |             |              | 4.3         |             |             | 4.6         |              | 4.9         | 4.9         |             | 4.8         | 45.1m x 4.7 |             | 4.6         |             |             |  |
| 46.0           |             |              | 44.7m x 4.2 |             |              | 3.9         |             |             | 3.9         |              | 44.1m x 4.9 | 4.2         |             | 4.6         | 4.6         |             | 4.4         | 4.4         | 47.0m x 4.3 |  |
| 48.0           |             |              |             |             |              | 47.6m x 3.7 |             |             | 3.6         |              |             | 3.5         |             | 47.0m x 4.2 | 3.8         |             | 4.3         | 4.3         |             |  |
| 50.0           |             |              |             |             |              |             |             |             | 3.4         |              |             | 3.4         |             |             | 3.4         |             | 49.9m x 4.0 | 4.0         |             |  |
| 52.0           |             |              |             |             |              |             |             |             | 50.5m x 3.4 |              |             | 3.1         |             |             | 3.2         |             |             | 3.4         |             |  |
| 54.0           |             |              |             |             |              |             |             |             |             |              |             | 53.4m x 3.0 |             |             | 3.0         |             |             | 3.1         |             |  |
| 56.0           |             |              |             |             |              |             |             |             |             |              |             |             |             |             | 2.8         |             |             | 2.8         |             |  |
| 58.0           |             |              |             |             |              |             |             |             |             |              |             |             |             |             | 56.3m x 2.8 |             |             | 2.7         |             |  |
| 60.0           |             |              |             |             |              |             |             |             |             |              |             |             |             |             |             |             |             | 59.2m x 2.6 |             |  |



# Luffing Jib Crane

**CCH1200**

## ■ Post rated lifting loads (without jib)

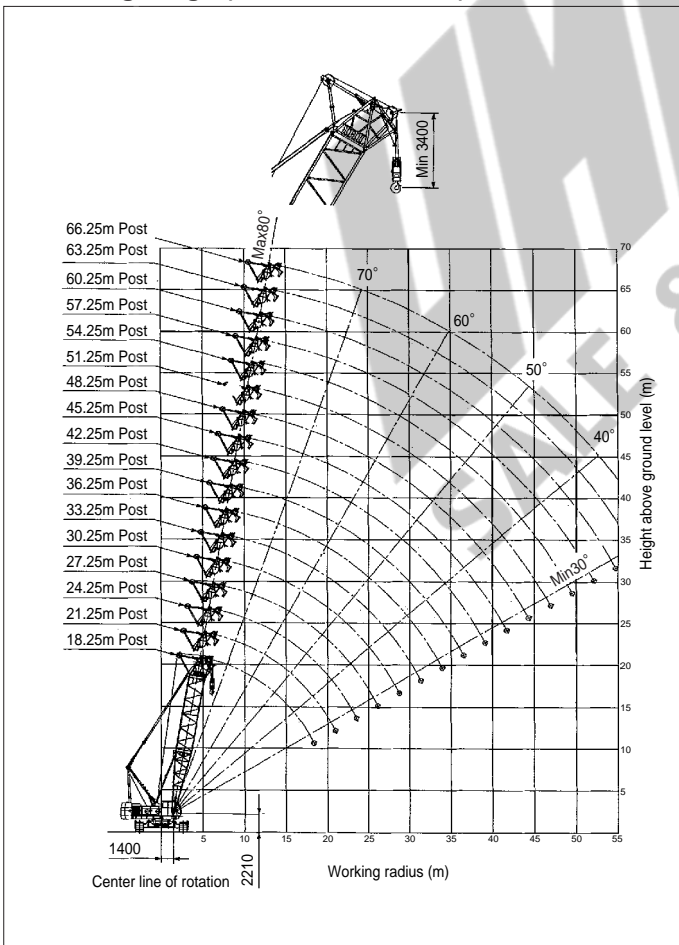
(Unit: metric ton)

| Post length(m)     | 18.25        | 21.25        | 24.25        | 27.25        | 30.25        | 33.25        | 36.25        | 39.25        | 42.25        | 45.25        | 48.25        | 51.25        | 54.25        | 57.25        | 60.25        | 63.25        | 66.25        |
|--------------------|--------------|--------------|--------------|--------------|--------------|--------------|--------------|--------------|--------------|--------------|--------------|--------------|--------------|--------------|--------------|--------------|--------------|
| Working radius (m) | 18.25        | 21.25        | 24.25        | 27.25        | 30.25        | 33.25        | 36.25        | 39.25        | 42.25        | 45.25        | 48.25        | 51.25        | 54.25        | 57.25        | 60.25        | 63.25        | 66.25        |
| 6.0                | 6.1m x 40.0  | 6.6m x 40.0  |              |              |              |              |              |              |              |              |              |              |              |              |              |              |              |
| 7.0                | 40.0         | 40.0         | 7.2m x 40.0  | 7.7m x 40.0  |              |              |              |              |              |              |              |              |              |              |              |              |              |
| 8.0                | 40.0         | 40.0         | 40.0         | 40.0         | 8.2m x 40.0  | 8.7m x 40.0  |              |              |              |              |              |              |              |              |              |              |              |
| 9.0                | 40.0         | 40.0         | 40.0         | 40.0         | 40.0         | 40.0         | 9.2m x 40.0  | 9.8m x 40.0  | 10.3m x 40.0 | 10.8m x 40.0 |              |              |              |              |              |              |              |
| 10.0               | 11.9m x 40.0 | 11.9m x 40.0 | 11.9m x 40.0 | 11.9m x 40.0 | 11.9m x 40.0 | 11.8m x 40.0 | 11.8m x 40.0 | 11.8m x 40.0 | 11.8m x 40.0 | 11.8m x 40.0 | 11.3m x 30.0 | 11.8m x 30.0 |              |              |              |              |              |
| 12.0               | 39.8         | 39.7         | 39.6         | 39.5         | 39.4         | 39.3         | 39.2         | 39.1         | 39.0         | 38.9         | 30.0         | 30.0         | 12.4m x 30.0 | 12.9m x 30.0 | 13.4m x 25.0 | 13.9m x 18.0 |              |
| 14.0               | 32.1         | 32.0         | 31.9         | 31.8         | 31.7         | 31.6         | 31.5         | 31.4         | 31.3         | 31.2         | 14.3m x 30.0 | 14.3m x 30.0 | 14.2m x 30.0 | 14.2m x 30.0 | 25.0         | 18.0         | 14.4m x 13.0 |
| 16.0               | 26.7         | 26.6         | 26.5         | 26.4         | 26.3         | 26.2         | 26.1         | 26.0         | 25.9         | 25.8         | 25.7         | 25.5         | 25.4         | 25.3         | 16.1m x 25.0 | 18.0         | 13.0         |
| 18.0               | 22.8         | 22.7         | 22.6         | 22.5         | 22.3         | 22.2         | 22.1         | 22.0         | 21.9         | 21.8         | 21.7         | 21.6         | 21.4         | 21.3         | 21.3         | 18.0         | 13.0         |
| 20.0               | 18.6m x 21.8 | 19.6         | 19.5         | 19.4         | 19.3         | 19.2         | 19.1         | 19.0         | 18.8         | 18.7         | 18.6         | 18.5         | 18.4         | 18.3         | 18.2         | 20.1m x 18.0 | 13.0         |
| 22.0               |              | 21.2m x 18.1 | 17.1         | 17.0         | 16.9         | 16.8         | 16.6         | 16.5         | 16.4         | 16.3         | 16.2         | 16.1         | 15.9         | 15.8         | 15.7         | 15.6         | 13.0         |
| 24.0               |              |              | 23.7m x 15.4 | 15.0         | 14.9         | 14.8         | 14.7         | 14.6         | 14.4         | 14.3         | 14.2         | 14.1         | 14.0         | 13.9         | 13.8         | 13.7         | 24.7m x 13.0 |
| 26.0               |              |              |              | 13.4         | 13.3         | 13.2         | 13.0         | 12.9         | 12.8         | 12.7         | 12.6         | 12.4         | 12.3         | 12.2         | 12.1         | 12.0         | 11.9         |
| 28.0               |              |              |              | 26.3m x 13.2 | 11.9         | 11.8         | 11.7         | 11.6         | 11.4         | 11.3         | 11.2         | 11.1         | 10.9         | 10.8         | 10.7         | 10.6         | 10.5         |
| 30.0               |              |              |              |              | 28.9m x 11.4 | 10.6         | 10.5         | 10.4         | 10.3         | 10.1         | 10.0         | 9.9          | 9.8          | 9.7          | 9.6          | 9.5          | 9.4          |
| 32.0               |              |              |              |              |              | 31.5m x 9.9  | 9.5          | 9.4          | 9.2          | 9.1          | 9.0          | 8.9          | 8.7          | 8.6          | 8.5          | 8.4          | 8.3          |
| 34.0               |              |              |              |              |              |              | 8.6          | 8.5          | 8.4          | 8.2          | 8.1          | 8.0          | 7.9          | 7.8          | 7.7          | 7.6          | 7.5          |
| 36.0               |              |              |              |              |              |              | 34.1m x 8.5  | 7.7          | 7.6          | 7.5          | 7.3          | 7.2          | 7.1          | 7.0          | 6.9          | 6.8          | 6.7          |
| 38.0               |              |              |              |              |              |              |              | 36.7m x 7.5  | 6.9          | 6.8          | 6.6          | 6.5          | 6.4          | 6.3          | 6.2          | 6.1          | 6.0          |
| 40.0               |              |              |              |              |              |              |              |              | 39.3m x 6.5  | 6.2          | 6.0          | 5.9          | 5.8          | 5.7          | 5.6          | 5.5          | 5.4          |
| 42.0               |              |              |              |              |              |              |              |              |              | 41.9m x 5.6  | 5.5          | 5.4          | 5.2          | 5.1          | 5.0          | 4.9          | 4.8          |
| 44.0               |              |              |              |              |              |              |              |              |              |              | 5.0          | 4.9          | 4.7          | 4.6          | 4.5          | 4.4          | 4.2          |
| 46.0               |              |              |              |              |              |              |              |              |              |              | 44.5m x 4.9  | 4.4          | 4.2          | 4.1          | 3.9          | 3.8          | 3.7          |
| 48.0               |              |              |              |              |              |              |              |              |              |              |              | 47.1m x 4.1  | 3.7          | 3.6          | 3.4          | 3.3          | 3.2          |
| 50.0               |              |              |              |              |              |              |              |              |              |              |              |              | 49.7m x 3.3  | 3.1          | 3.0          | 2.8          | 2.7          |
| 52.0               |              |              |              |              |              |              |              |              |              |              |              |              |              | 2.7          | 2.6          | 2.4          | 2.3          |
| 54.0               |              |              |              |              |              |              |              |              |              |              |              |              |              | 52.3m x 2.6  | 2.2          | 2.0          | 1.9          |

**Notes**

- Above rated loads are based on firm level ground, within 78% of tipping load at any point 360° throughout and with front stability of 1.15 or more.
- The actual lifting loads must be reduced following hook block (main and jib) and other lifting devices.  
 11ton hook block...0.40ton      40ton hook block...0.95ton  
 30ton hook block...0.75ton
- Depending on the number of part lines, rated load is limited as follows:  
 1-part line.....up to 11.0ton  
 2-part line.....up to 20.0ton  
 3-part line.....up to 30.0ton  
 4-part line.....up to 40.0ton

## ■ Working range (No load condition)



# Luffing Tower Crane

CCH1200

## Specifications

|   |                          |  |
|---|--------------------------|--|
| Max. lifting capacity x working radius                          |                          | 20metric tons x 14m                          |
| Max. lift above ground level                                    |                          | 92m(51.25m post+44m jib)                     |
| Rope speed  | Main drum hoist/lowering | * 100~50/50~25m/min                          |
|   | Post hoist/lowering      | * 60~30m/min                                 |
|   | Jib hoist/lowering       | * 100~50/50~25m/min                          |
| Part line   | Main drum hoist          | Hook block capacity x Part line<br>20ton x 2 |
|   | Post hoist               | Hook block capacity x Part line<br>11ton x 1 |
|   | Jib hoist                | 14   |
|   | Jib hoist                | 8  |
| Counterweight   |                          | 50ton  |
| Total operating weight<br>(with 51.25m post+44m jib+20ton hook) |                          | 135.5ton(Approx.)                            |
| Average ground bearing pressure                                 |                          | 1.03kgf/cm <sup>2</sup>                      |

Note: The rope speed changes depending on the load.

## Combination of post and Jib, post angle

| Post length(m) | 27.25 | 30.25 | 33.25 | 36.25 | 39.25 | 42.25 | 45.25 | 48.25 | 51.25 |
|----------------|-------|-------|-------|-------|-------|-------|-------|-------|-------|
| 23             | ☒ ● ☒ | ● ☒   | ● ☒   | ● ☒   | ● ☒   | ● ☒   | ● ☒   | ● ☒   | ●     |
| 26             | ☒ ● ☒ | ● ☒   | ● ☒   | ● ☒   | ● ☒   | ● ☒   | ● ☒   | ● ☒   | ●     |
| 29             | ☒ ☒   | ● ☒   | ● ☒   | ● ☒   | ● ☒   | ● ☒   | ● ☒   | ● ☒   | ●     |
| 32             | ☒ ☒   | ☒     | ● ☒   | ● ☒   | ● ☒   | ● ☒   | ● ☒   | ● ☒   | ●     |
| 35             | ☒ ☒   | ☒     | ☒     | ● ☒   | ● ☒   | ● ☒   | ● ☒   | ● ☒   | ●     |
| 38             | ☒ ☒   | ☒     | ☒     | ☒     | ● ☒   | ● ☒   | ● ☒   | ● ☒   | ●     |
| 41             | ☒ ☒   | ☒     | ☒     | ☒     | ☒     | ● ☒   | ● ☒   | ● ☒   | ●     |
| 44             | ☒ ☒   | ☒     | ☒     | ☒     | ☒     | ☒     | ● ☒   | ● ☒   | ●     |

Note: ●:Possible combination

## Wire Rope

| Place of use     | Rope diameter (mm) | Guaranteed strength (t) | Rope type        |
|------------------|--------------------|-------------------------|------------------|
| Hook hoist       | ☒ φ 26             | ☒ 61.0                  | PS(19)+39 x P·7  |
| Post hoist       | ☒ φ 22             | 36.3                    | IWRC6 x WS(31)   |
| Jib hoist        | ☒ φ 26             | 57.8                    | T IWRC6 x WS(31) |
| Post suspension  | ☒ φ 31.5           | 74.9                    | IWRC6 x Fi(29)   |
| Jib suspension   | ☒ φ 34             | 86.7                    | IWRC6 x Fi(29)   |
| Strut suspension | ☒ φ 34             | 86.7                    | IWRC6 x Fi(29)   |

Note: Wire rope length to be decided according to the ordered boom length.

## Post Composition

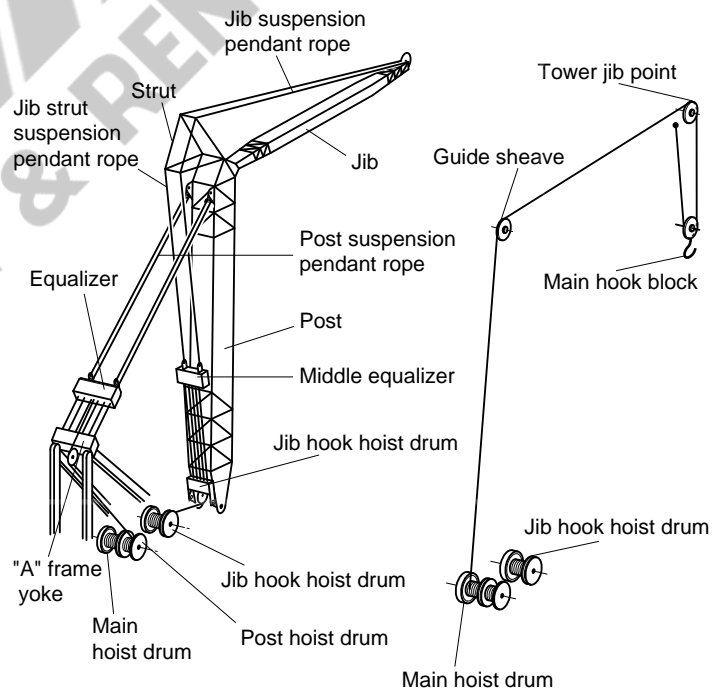
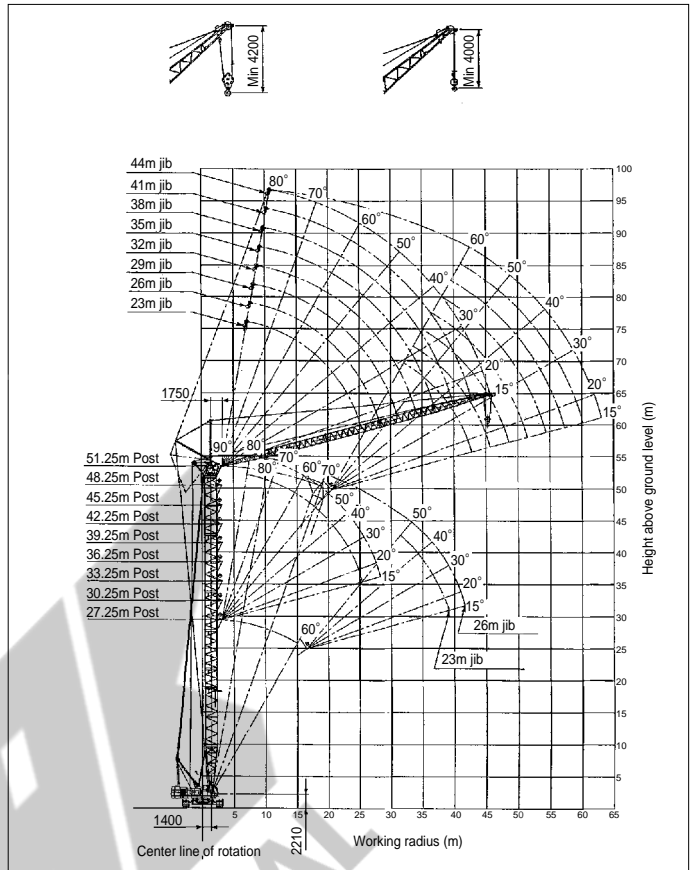
| Post length(m) | Post Composition(m)                |
|----------------|------------------------------------|
| 27.25          | 7.5(inner)+ *9+9+1.75(outer)       |
| 30.25          | 7.5+ *9.0+3.0+9.0+1.75             |
| 33.25          | 7.5+ *9.0+6.0+9.0+1.75             |
| 36.25          | 7.5+ *9.0+9.0+9.0+1.75             |
| 39.25          | 7.5+ *9.0+3.0+9.0+9.0+1.75         |
| 42.25          | 7.5+ *9.0+6.0+9.0+9.0+1.75         |
| 45.25          | 7.5+ *9.0+3.0+6.0+9.0+9.0+1.75     |
| 48.25          | 7.5+ *9.0+6.0+6.0+9.0+9.0+1.75     |
| 51.25          | 7.5+ *9.0+3.0+6.0+6.0+9.0+9.0+1.75 |

Notes  
1. 9.0m insert post (\*9.0) is installed to the middle equalizer guide rail.  
2. 3.0m~9.0m insert post including jib strut suspension pendant rope.

## Jib Composition

| Jib length(m) | Jib Composition(m)  |
|---------------|---------------------|
| 23            | 8(inner)+6+9(outer) |
| 26            | 8+3+6+9             |
| 29            | 8+3+9+9             |
| 32            | 8+6+9+9             |
| 35            | 8+9+9+9             |
| 38            | 8+3+9+9+9           |
| 41            | 8+6+9+9+9           |
| 44            | 8+3+6+9+9+9(outer)  |

## Working range (No load condition)

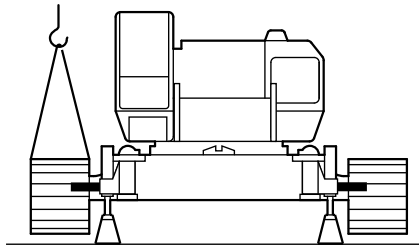




## Self dismantling method convenient transportation

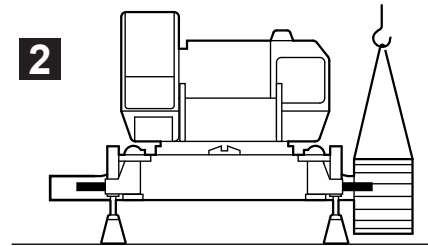
Attachments, counterweights and crawler frames can be dismantled to lighten the weight, shorten the width and lower the height of the base machine for convenient transportation.

**1**



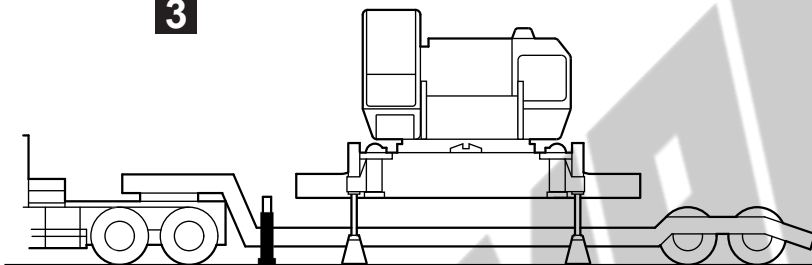
- Remove attachments and counterweights.
- Open and lock jack-up boom. (standard equipment)
- Disconnect hydraulic hoses of traction motor drive.
- Set pedestals on firm level ground.
- Lift up base machine slightly by jack-up cylinder.
- Suspend crawler frame (approx. 13ton) with another crane.
- Push out and remove crawler frame by laterl cylinder (standard equipment).

**2**



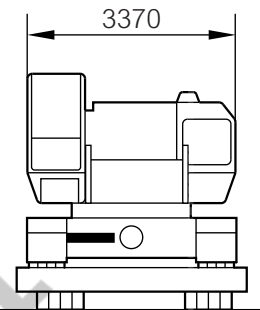
- Follow the same procedures to remove the other side of the crawler frame.

**3**



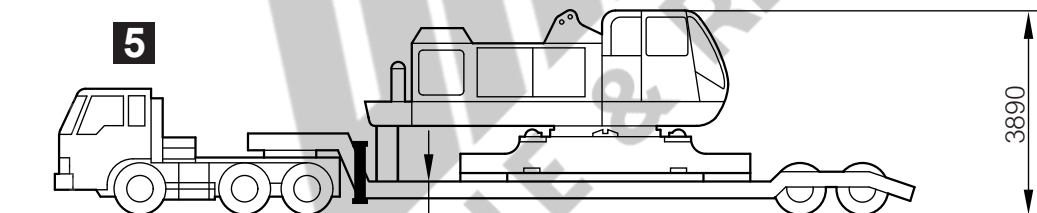
- Lift up base machine by jack-up cylinders to provide enough ground clearance for receiving trailer underneath.

**4**



- Retract jack-up cylinders to bring the base machine in contact with the trailer bed, then turn the superstructure 90° to direct the operator's cab in the opposite direction as trailer.

**5**



- Completed dismantling work.
- Base machine weight reduced approx x 32ton.
- Can be transported above figure on 600mm low bed trailer.

※Reverse the above procedures to re-assemble.

### Optional Equipment

Moment limiter (overload prevention)  
Warning at 90% of rated load  
Warning at optionally set boom angle  
Shockless stop, load hoist and boom hoist or lowering at limited condition  
Insert boom (w/pendant cable) 3m, 6m, 9m  
13m basic jib, 3m, 6m insert (w/pendant rope)  
Auxiliary jib  
60 ton, 50 ton, and 30 ton hook block  
11 ton hook block for jib  
Combustion type heater

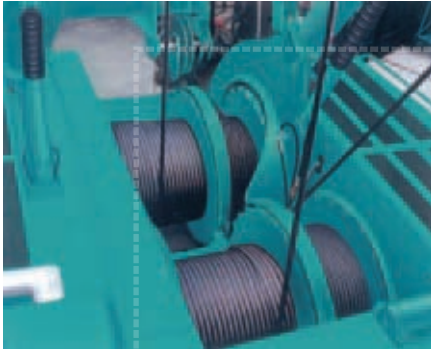
Air conditioner  
Wireless phone  
Yellow rotary light  
Boom point clearance light  
Bullhorn  
Catwalk  
Catwalk (w/handrail)  
Offlimit fence  
Electrical type level indicator  
Safety guard on boom  
Reeving winch  
Hydraulic type tagline

Rope guide roller on boom (additional)  
Drum roller  
Name plate (both side of outer boom and cab)  
Fire extinguisher  
Flash light for inspection  
Hoist drum mirror  
Boom foot pin cylinder  
Fulcrum plate for rising of attachment  
Monitor TV (watching rear left and drum)  
Monitor TV (watching lifting load)  
Large size tool box with caster  
Sling wire for disassembling and assembly

● **Four powerful, independently driven drum winches mounted on dual in-line shafts**

Main and auxiliary drums are located on the left side on front and rear shafts while jib hoist and boom hoist drums are on the right. Each drum is individually driven via a reduction unit from a variable displacement axial piston type hydraulic motor, delivering powerful winch performance.

(Front right drum is optional on applications other than the luffing jib crane.)



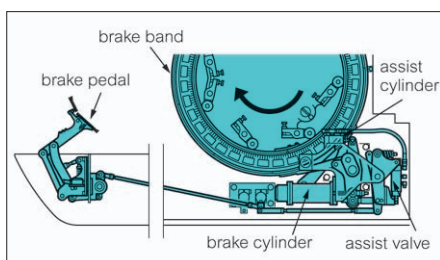
● **Power-efficient fully controlled hydraulic system**

Two variable displacement pumps and one gear pump incorporated into the engine provide the most effective application of engine output. Hydraulic flow and pressure are automatically regulated within maximum engine output, delivering high flow and low pressure for lighter loads, low flow and high pressure under heavy loading.



● **Fatigue-free brake operation**

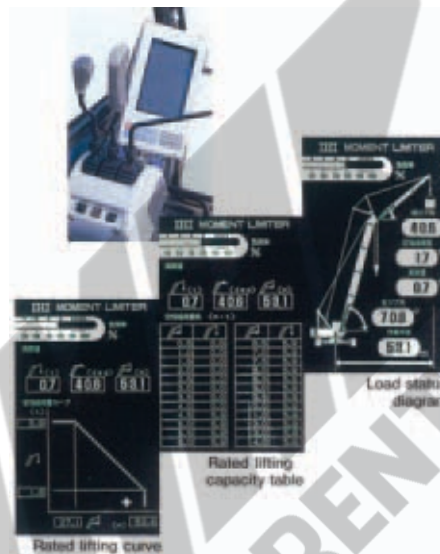
Hydraulically assisted main and auxiliary braking systems allow easy, delicate half-brake control.



● **Moment limiter (Option)**

The moment limiter has a graphic display with interactive screen. A panel switch lets the operator select from three display modes: load status diagram, rated lifting curve, and rated lifting capacity table.

When the actual load reaches 90% of rated lifting capacity, an intermittent warning buzzer sounds. At 100% of rated capacity, the buzzer sounds continuously, ceasing when load is hoisted or when boom is lowered. The moment limiter uses shockless control valves to slow and then stop the movement of boom or tower jib as they reach minimum or maximum operating angles. Boom angle limitations can be set by the operator, and the display blinks as a warning when these limits are reached.



● **Mode selector switch installed in control lever**

Control levers, pedals and switches are designed for easy operation. One-touch winch mode selector switches (foot/auto braking) are installed in the grips of main and auxiliary drum control levers. And an engine throttle control is built into the grip of the swing control lever, for fingertip command over engine speed.



● **Ultra-low-speed control for precision work**

Hydraulic pump delivery volume is controlled in conjunction with engine speed, supplemented by an independent swash-plate angle control dial. Together, these devices provide easy, accurate, seat-side control over delivery volume, for precise inching work.



● **OK monitor**

The OK monitor allows the operator to assess mechanical operating conditions at a glance, without leaving the seat. It includes bar graphs for water temperature, engine oil pressure and hydraulic oil temperature gauges, along with battery charging and air cleaner clogging information.

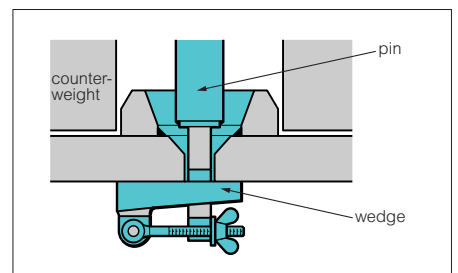


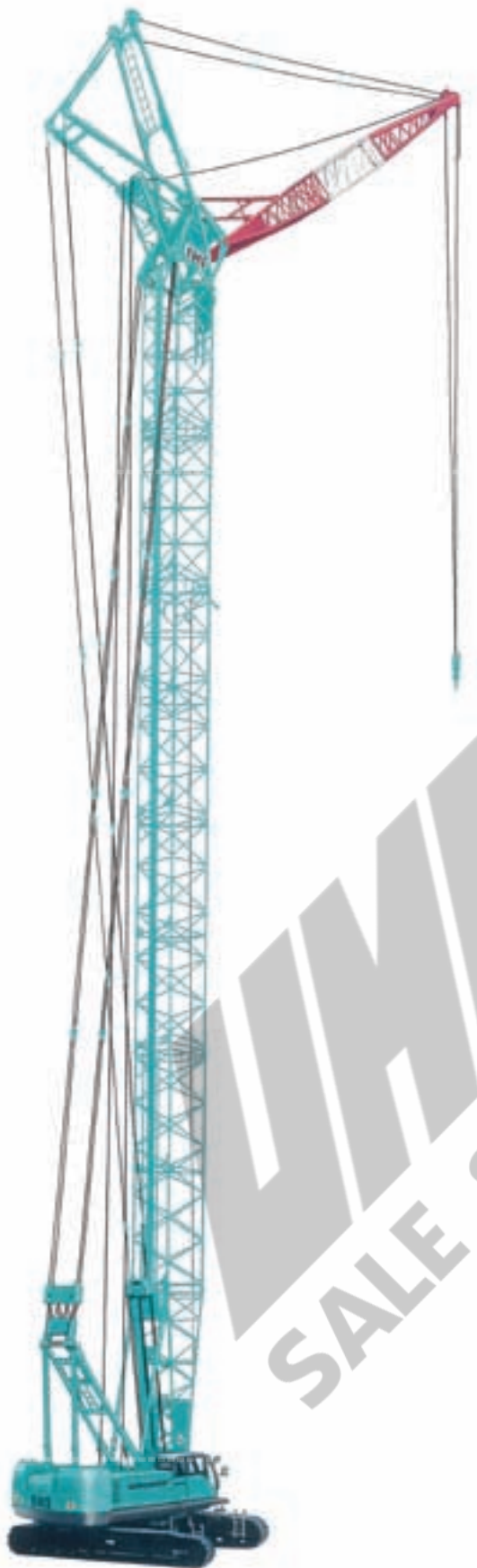
● **Fuel-efficient automatic engine deceleration system**

With the Auto-Decel selector engaged, the system senses hydraulic pressure, reducing engine speed to idle speed when the crane is inactive.

● **Stacking type counterweights**

Counterweights are stacked on the tail of the turntable, for excellent stability, efficient transport, and safe and easy assembly/disassembly. Weights—seven blocks of up to 14.7ton-- are secured directly to the turntable with pins and wedges.





**IHI Construction Machinery Limited**

Kishi-Tokai Bldg.,8-4-4, Nishikamata, Ota-ku, Tokyo 144-8577, JAPAN  
Phone: 81-3-5714-8844 Fax: 81-3-5714-8840, 8841

Specifications are subject to change without notice due to technical improvements or modifications.  
Distributed by



Printed in Japan  
IK1203A0212LL30