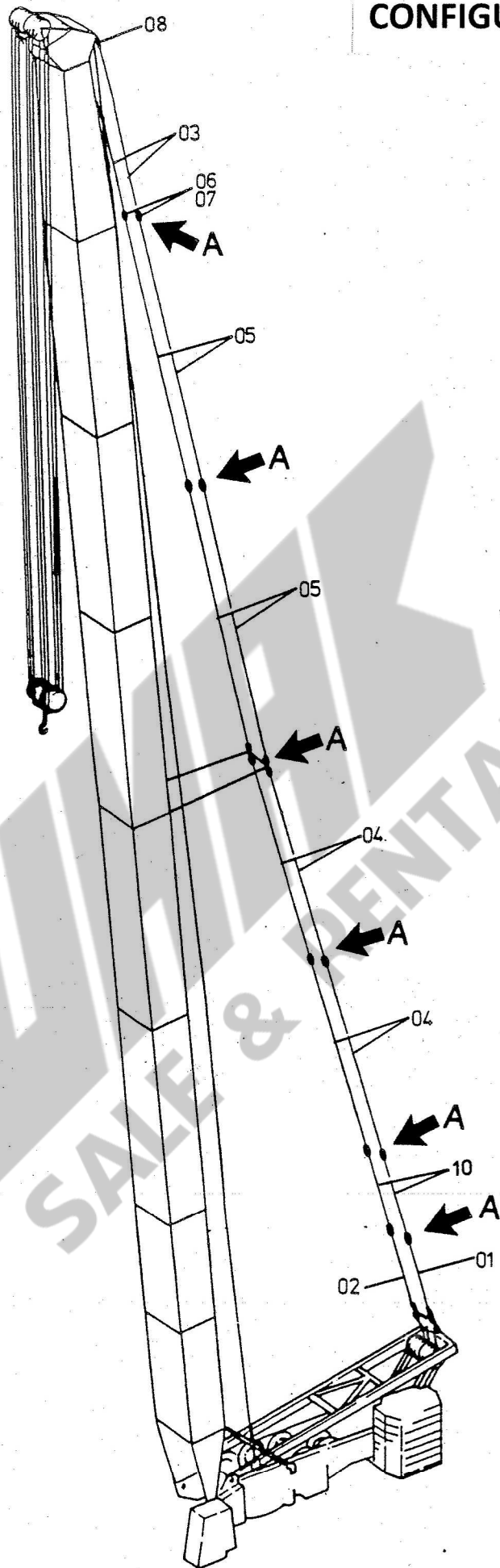


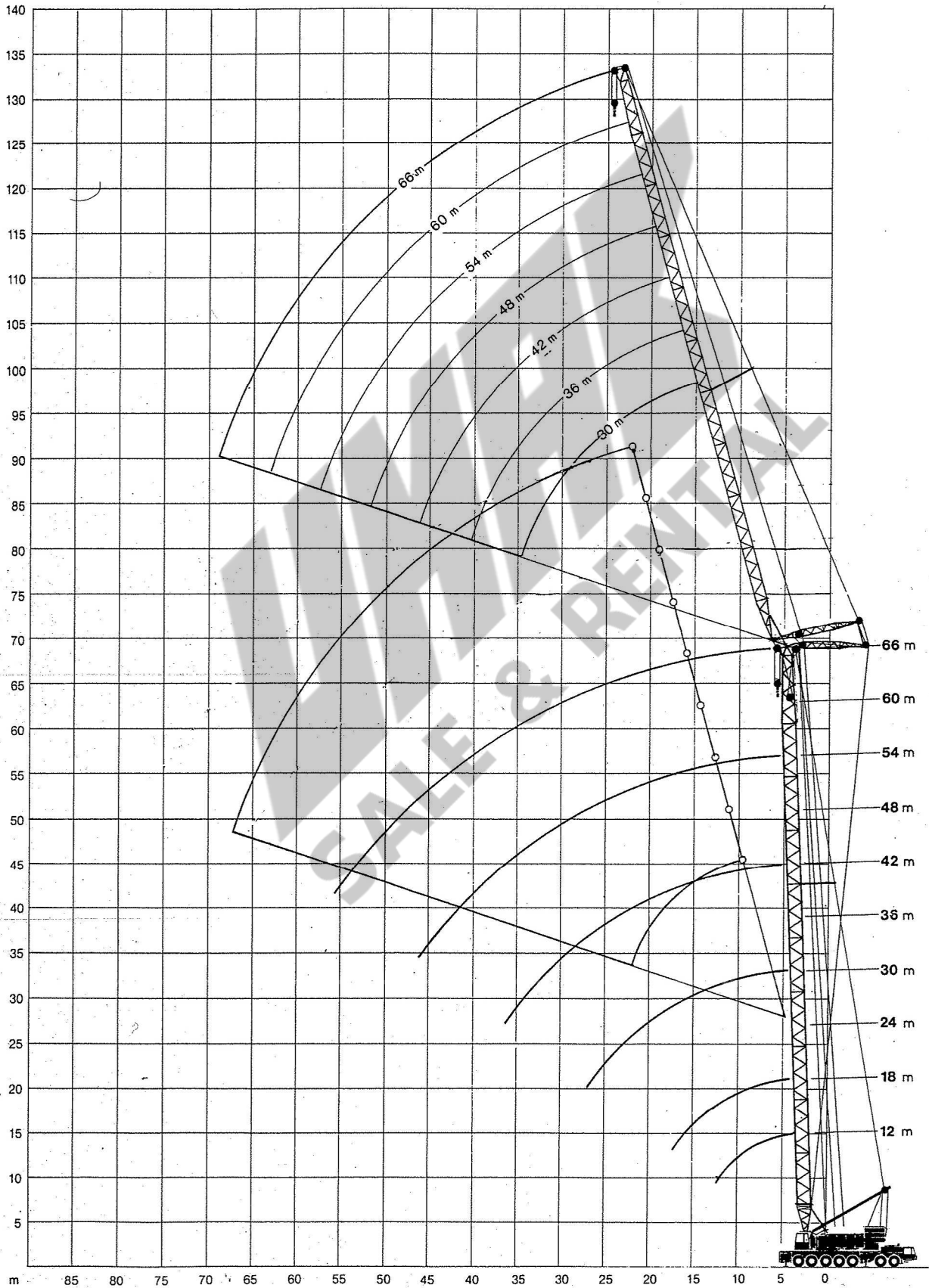
CONFIGURATION LH



255-6015

Arbeitsbereiche
Working Ranges
Portées

LH/SW



Mannesmann
DEMAG Baumaschinen

Mannesmann Demag Baumaschinen
Zweigniederlassung der Mannesmann Demag AG
6660 Zweibrücken Dinglerstraße 24

TC 1000 Portate con braccio base
No. 46012

Portata (t) = carico + peso bozzello 360°
Contrappeso torretta 90 t
Stabilizzata 10 m x 9.04 m

Sbraccio (m)	Braccio base (m) Tipo 608-01						
	54.0	60.0	66.0	72.0	78.0	84.0	90.0

9	85.0	-	-	-	-	-	-
10	84.0	75.0	65.0	55.0	-	-	-
12	81.0	73.0	65.0	55.0	45.0	38.0	32.0
14	70.0	69.0	64.0	55.0	45.0	38.0	32.0
16	60.0	59.0	59.0	54.0	45.0	38.0	32.0
18	52.0	51.0	51.0	50.0	45.0	38.0	32.0
20	46.0	45.0	45.0	44.0	44.0	38.0	32.0
22	41.0	40.0	40.0	39.0	39.0	38.0	32.0
24	37.0	35.0	35.0	35.0	34.0	34.0	31.0
26	33.0	32.0	32.0	31.0	31.0	30.0	30.0
28	30.0	29.0	29.0	28.0	28.0	27.0	27.0
30	27.0	26.0	26.0	26.0	25.0	25.0	24.0
34	23.0	22.0	22.0	21.0	21.0	20.0	20.0
38	19.0	19.0	18.0	18.0	17.0	17.0	16.0
42	17.0	16.0	15.0	15.0	15.0	14.0	13.0
46	14.0	14.0	13.0	13.0	12.0	12.0	11.0
50	-	12.0	11.0	11.0	10.0	10.0	9.4
54	-	10.0	10.0	10.0	9.1	8.4	8.0
58	-	-	9.0	8.2	7.7	7.0	6.6
62	-	-	-	7.0	6.5	5.8	5.3
66	-	-	-	-	5.4	4.8	4.2
70	-	-	-	-	-	3.9	3.2

No. tiri fune	9	8	7	6	5	5	4
---------------	---	---	---	---	---	---	---

DS	0008	0009	0010	0011	0012	0013	0014
----	------	------	------	------	------	------	------

DS = Interruttore di servizio: mensola PAT

** Montaggio e smontaggio con equipaggiamento suppl

VELOCITA' DI VENTO AMMISSIBILE DURANTE IL SERVIZIO DI 9,8 m/sec

Mannesmann Demag Baumaschinen
 Zweigniederlassung der Mannesmann Demag AG
 6660 Zweibrücken · Dinglerstraße 24

Mannesmann
 DEMAG Baumaschinen

TC 1000 Portate con braccio base
 No. 46012

Portata (t) = carico + peso bozzello 360°
 Contrappeso torretta 90 t
 Stabilizzata 10 m x 9.04 m

Sbraccio (m)	Braccio base (m) Tipo 608-01						
	12.0	18.0	24.0	30.0	36.0	42.0	48.0
4	220.0	-	-	-	-	-	-
4.5	200.0	-	-	-	-	-	-
5	186.0	180.0	-	-	-	-	-
5.5	175.0	170.0	-	-	-	-	-
6	166.0	162.0	145.0	-	-	-	-
7	150.0	146.0	136.0	125.0	115.0	-	-
8	137.0	133.0	128.0	120.0	111.0	100.0	-
9	122.0	120.0	120.0	114.0	107.0	98.0	92.0
10	108.0	107.0	107.0	106.0	102.0	95.0	90.0
12	<u>89.0</u>	88.0	87.0	86.0	85.0	85.0	84.0
14	-	74.0	74.0	73.0	72.0	71.0	70.0
16	-	64.0	63.0	63.0	62.0	61.0	60.0
18	-	<u>57.0</u>	56.0	55.0	54.0	53.0	52.0
20	-	-	50.0	49.0	48.0	47.0	46.0
22	-	-	<u>45.0</u>	44.0	43.0	42.0	41.0
24	-	-	-	40.0	39.0	38.0	37.0
26	-	-	-	36.0	35.0	34.0	33.0
28	-	-	-	<u>33.0</u>	32.0	31.0	30.0
30	-	-	-	-	<u>29.0</u>	29.0	28.0
34	-	-	-	-	-	24.0	23.0
38	-	-	-	-	-	<u>21.0</u>	20.0
42	-	-	-	-	-	-	<u>17.0</u>

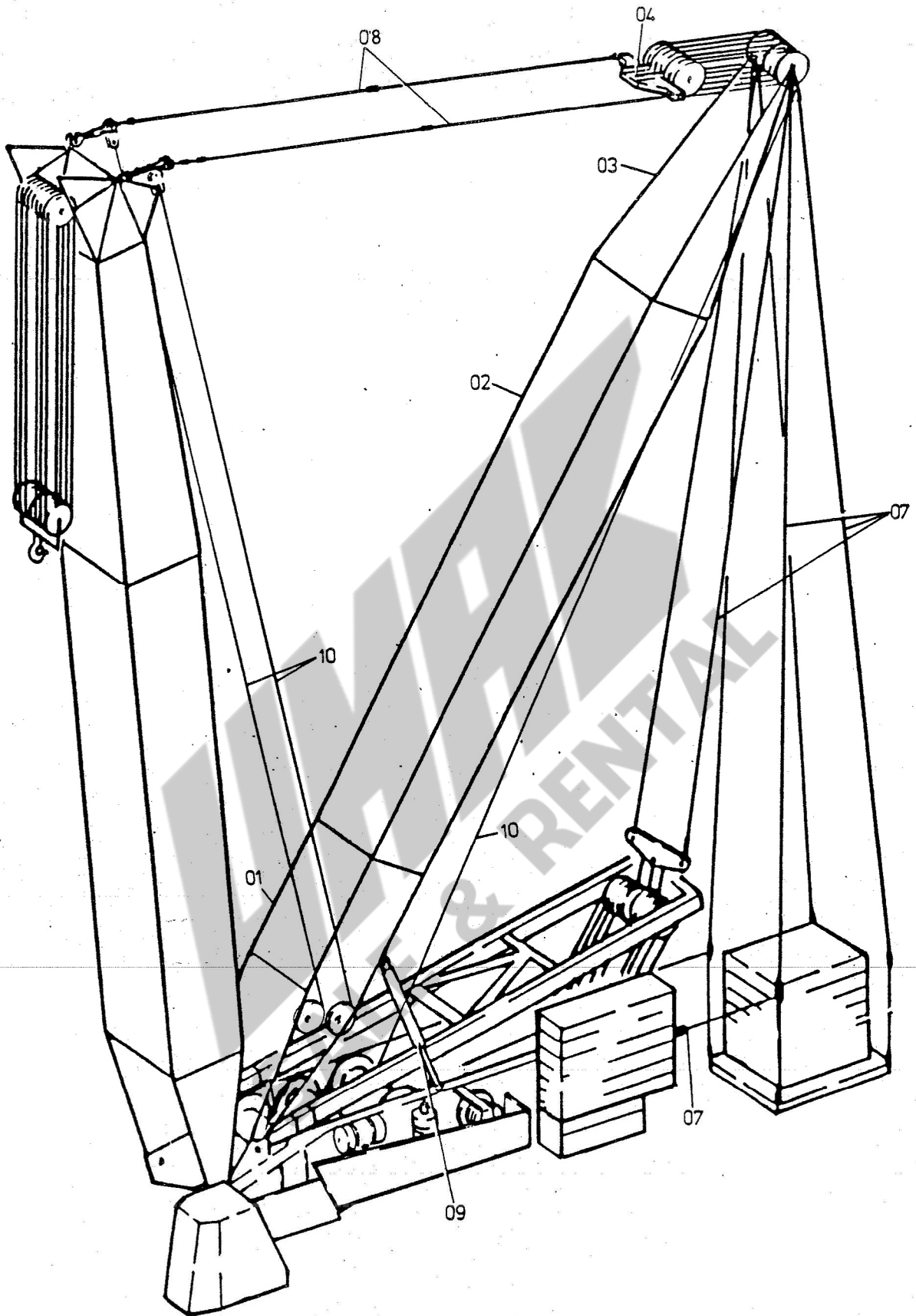
No. tiri fune	22	18	18	14	14	10	10

DS	0001	0002	0003	0004	0005	0006	0007

DS = Interruttore di servizio: mensola PAT

VELOCITA' DI VENTO AMMISSIBILE DURANTE IL SERVIZIO DI 9,8 m/sec

CONFIGURATION LSL



255-6303