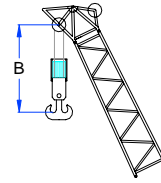


# Demag CC-600



## Hook-Blocks

Capacity	Number of Sheaves	Number of Lines	Weight (kg)	“B” (m)
200 Te	11	23	2500	3.5
140 Te	8	17	1730	2.5
61 Te	3	7	930	2.5
26 Te	1	3	670	2.5
8.7 Te	Crane Hook	1	370	2.0

## Boom Erection

Length of Main Boom	Length of Jib Boom
9 ... 72 m	-
18 ... 24 m	12 ... 36m
30 ... 42 m	18 ... 36m
48 ... 60 m	24 ... 36m

## Crawler-chassis

Spreading crawlers Adjustable from 5.4m to 6.4m Track

Drive - Hydraulic

## Weight / Ground pressure

Weight of Counterweighted Machine with 9m Boom	131 Te
Counterweight	55 Te
Ground Pressure	7.2 Te/m <sup>2</sup>

## Carrier Performance

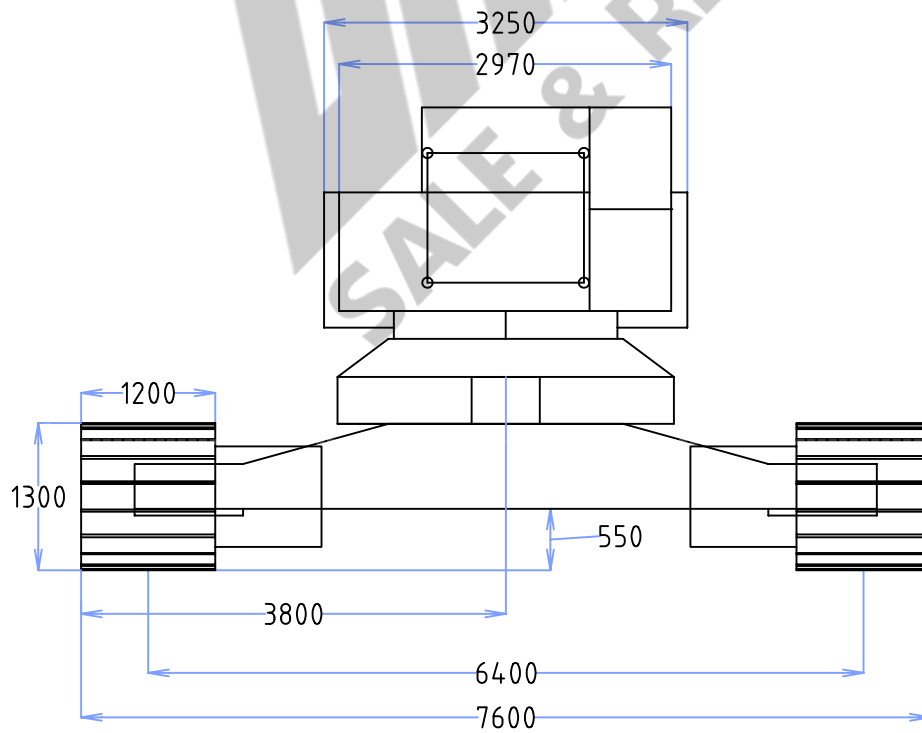
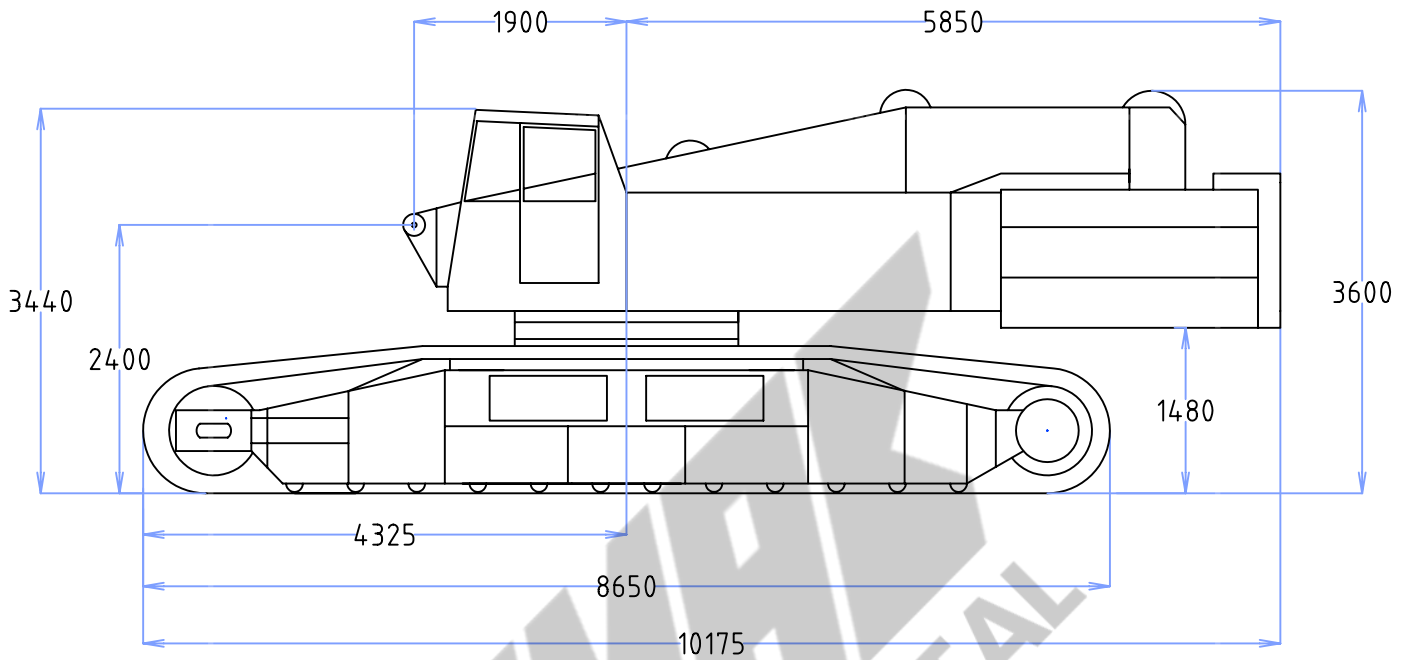
### Travel Speeds

Low Range	0 - 0.73 km/h
High Range	0 - 1.46 km/h

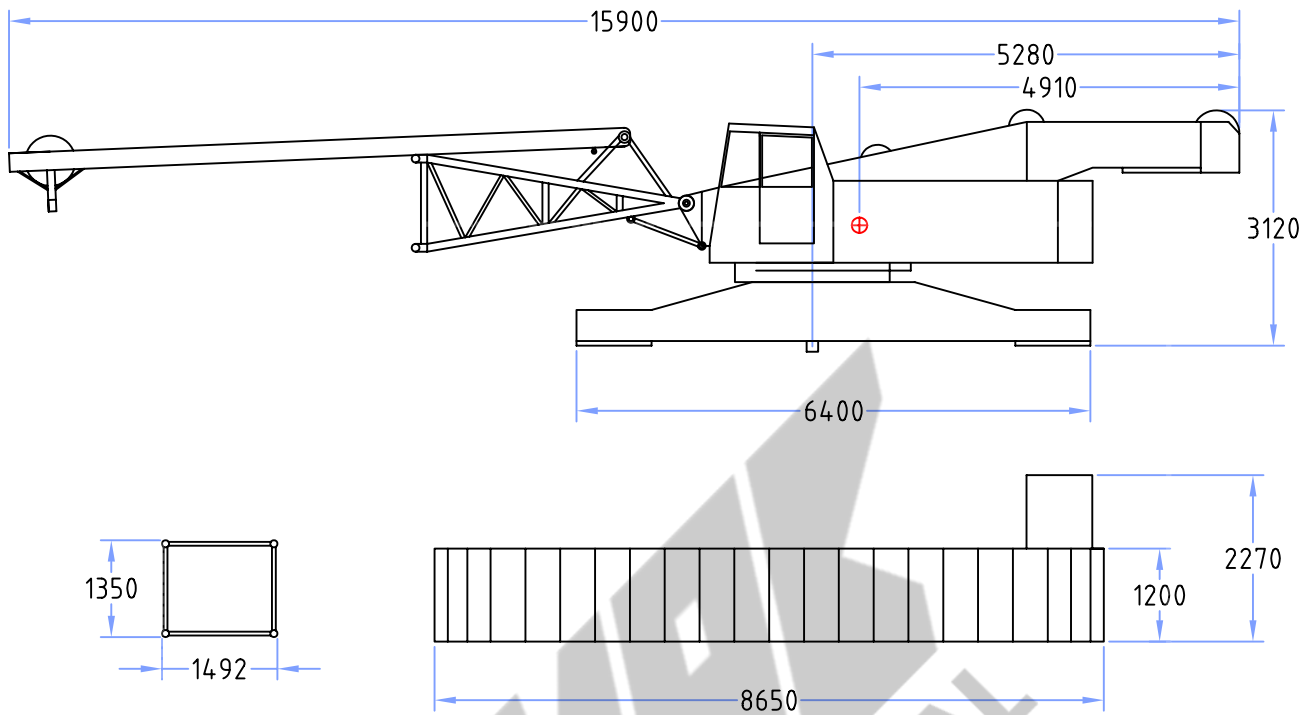
## Working Speeds

Drive	Speeds	Rope pull, single line	Length of Hoist rope
Main Hoist	max 105m/min	92.4 kN (9.24Mp)	425 m
Secondary Hoist	max 98 m/min	83.8 kN (8.38Mp)	350 m
Aux. Boom Hoist	max 46 m/min	58.7 kN (5.87Mp)	255 m
Main Boom Hoist	max 37 m/min	79.9kN (7.99Mp)	240 m
Swing	1.99 r/min	-	-

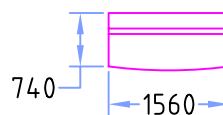
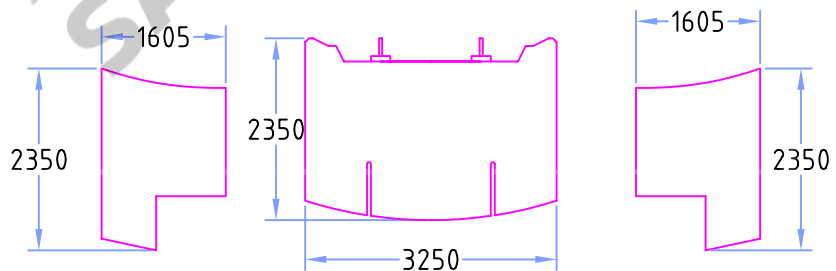
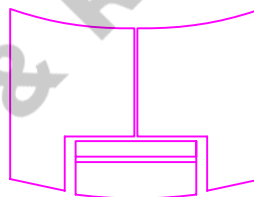
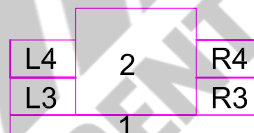
DEMAG CC 600  
DIMENSIONS



DEMAG CC 600  
PARTED WEIGHTS



WEIGHT OF COUNTERWEIGHED MACHINE WITH 9m BOOM	131t
SUPERSTRUCTURE WITH 4 DRUMS,BUTT,MAST & CARBODY	34.8t
CRAWLER SIDE FRAME	2x19.5t
COUNTERWEIGHT	55t
GROUND PRESSURE	7.2 t/m <sup>2</sup>



# DEMAG CC 600

SOCAR-HEAVY CRANE  
ALLIANCE

Counterweight - 55 t

Track - 6.4 m

Slope - 0°

Capacity = cargo + hook block

**Main boom capacities 71.4%**

Boom Radius (m)	Main boom length (m)											
	9	12	18	24	30	36	42	48	54	60	66	72
4	140.0	140.0										
4.5	135.0	134.0										
5	122.0	122.0	120.0	120.0								
6	102.0	101.0	101.0	100.0								
7	86.0	85.9	85.3	84.7	84.0	82.0						
8	74.3	74.2	73.6	73.1	72.5	71.9	65.0					
9	65.4	65.1	64.6	64.1	63.5	62.9	61.9	56.0				
10	58.4	58.0	57.6	57.0	56.2	55.9	55.2	52.4	46.0	37.0		
12		47.9	47.1	46.6	46.0	45.5	44.7	44.3	39.0	34.2	26.0	
14			38.3	37.9	37.4	37.0	36.5	36.1	34.3	30.9	25.2	19.0
16			31.8	31.5	31.0	30.6	30.1	29.7	29.2	27.6	23.3	18.1
18				26.8	26.4	25.9	25.4	24.9	24.6	24.0	21.4	16.7
20				23.7	22.8	23.4	21.8	21.4	20.9	20.5	19.3	15.2
22				20.6	20.0	19.6	19.0	18.6	18.2	17.6	17.3	14.0
24					17.8	17.3	16.8	16.3	15.9	15.3	15.0	12.8
26					16.0	15.5	14.9	14.5	14.0	13.4	13.1	11.6
28					14.5	14.0	13.3	12.8	12.5	11.9	11.6	10.3
30						12.7	12.1	11.6	11.1	10.6	10.3	9.2
34							10.0	9.5	9.0	8.4	8.0	7.1
38							8.5	7.9	7.3	6.7	6.2	5.6
42								6.6	6.0	5.3	4.9	4.3
46									4.9	4.2	3.8	3.1
50										3.4	2.9	2.3

### Reaving

	16	16	15	15	10	10	8.0	7	6	5	4	3
--	----	----	----	----	----	----	-----	---	---	---	---	---

# DEMAG CC 600

SOCAR-HEAVY CRANE  
ALLIANCE

Counterweight - 45 t

Track - 5.4 m

Slope - 0°

Capacity = cargo + hook block

**Main boom capacities 71.4%**

Boom Radius (m)	Main boom length (m)											
	9	12	18	24	30	36	42	48	54	60	66	72
4	116.0	116.0										
4.5	110.0	110.0										
5	100.0	100.0	100.0	100.0								
6	92.3	92.3	92.3	92.3								
7	80.0	80.0	79.7	79.4	79.0	78.0						
8	64.5	64.4	64.1	63.8	63.4	63.0	62.5					
9	53.9	53.8	53.5	53.2	52.7	52.4	51.8	51.0				
10	46.3	46.1	45.8	45.5	45.0	44.6	44.1	43.7	43.0	37.0		
12		35.7	35.4	35.0	34.5	34.1	33.6	33.2	32.8	32.2	26.0	
14			28.6	28.2	27.8	27.4	26.8	26.4	26.0	25.4	25.1	19.0
16			24.0	23.5	23.1	22.6	22.1	21.6	21.2	20.7	20.4	18.1
18				20.1	19.6	19.2	18.6	18.1	17.7	17.2	16.9	16.7
20				17.4	16.9	16.5	15.9	15.5	15.0	14.5	14.2	13.6
22				15.4	14.8	14.4	13.8	13.3	12.9	12.4	12.0	11.5
24					13.1	12.7	12.1	11.6	11.2	10.6	10.3	9.7
26					11.8	11.3	10.7	10.2	9.8	9.2	8.9	8.3
28					10.6	10.1	9.5	9.0	8.6	8.0	7.7	7.0
30						9.1	8.5	8.0	7.6	7.0	6.6	5.9
34							6.9	6.4	5.9	5.3	4.9	4.3
38							5.7	5.2	4.7	3.9	3.5	2.9
42								4.2	3.6	2.9	2.4	1.7
46									2.8	2.0	1.5	

### Reaving

	16	16	15	15	10	10	8	7	6	5	4	3
--	----	----	----	----	----	----	---	---	---	---	---	---

# DEMAG CC 600

SOCAR-HEAVY CRANE  
ALLIANCE

Counterweight - 55 t

Track - 6,4 m

Slope - 0°

Capacity = cargo + hook block

**Luffing jib capacities 71.4%**

Main boom radius (m)	Main boom length (m)									
	18					24				
	Luffing jib length									
	12	18	24	30	36	12	18	24	30	36
9	50.0					50.0				
10	45.7	39.0				45.7	36.6			
12	40.8	34.2	27.6			40.8	34.0	27.3		
14	34.8	30.6	26.0	21.2	16.7	34.8	30.6	25.5	20.7	
16		27.6	24.1	20.0	15.8		27.6	23.7	19.3	15.1
18		24.3	22.4	18.6	14.9		24.3	22.1	18.0	14.3
20		20.7	20.5	17.6	14.1		20.8	20.2	16.8	13.5
22			18.5	16.5	13.3			18.5	15.7	12.8
24			16.5	15.5	12.7			16.6	14.7	12.3
26			14.3	14.3	12.0			14.7	13.7	11.7
28				12.9	11.4				12.6	11.0
30				11.0	10.8				11.0	10.5
34					9.3					9.2
38										

Reaving	6	5	4	3	3	6	5	4	3	2
---------	---	---	---	---	---	---	---	---	---	---

# DEMAG CC 600

SOCAR-HEAVY CRANE  
ALLIANCE

Counterweight - 55 t

Track - 6,4 m

Slope - 0°

Capacity = cargo + hook block

**Luffing jib capacities 71.4%**

Main boom radius (m)	Main boom length (m)										
	30				36				42		
	Luffing jib length										
	18	24	30	36	18	24	30	36	24	30	36
9											
10											
12	32.9	26.8			30.2						
14	30.3	24.7	19.3		28.4	22.4	17.4		21.2		
16	27.7	23.0	18.3	14.3	26.3	21.3	16.7	13.5	20.4	15.7	12.7
18	24.4	21.4	17.4	13.6	24.0	20.1	16.2	12.9	19.5	15.3	12.3
20	21.2	19.9	16.5	13.0	21.0	18.9	15.5	12.4	18.5	14.8	11.9
22		18.3	15.5	12.5		17.7	14.8	11.9	17.4	14.3	11.5
24		16.6	14.6	12.0		16.4	14.1	11.4	16.4	13.8	11.2
26		14.8	13.6	11.4		14.9	13.3	10.8	14.8	12.5	10.7
28			12.7	10.8			12.6	10.5		11.8	10.4
30			11.6	10.3			11.6	9.9			9.9
34				9.2				9.0			9.1
38				8.1				8.1			8.2

Reaving	4	4	3	2	4	3	3	2	3	2	2
---------	---	---	---	---	---	---	---	---	---	---	---

# DEMAG CC 600

SOCAR-HEAVY CRANE  
ALLIANCE

Counterweight - 55 t

Track - 6,4 m

Slope - 0°

Capacity = cargo + hook block

### Lifting capacities Luffing Jib

Capacity = cargo + hook block

CW 55 t

Track 6.4 m

360°

slope 0°

71.4%

Main boom radius (m)	Main boom length (m)								
	48			54			60		
	Luffing jib length								
	24	30	36	24	30	36	24	30	36
9									
10									
12									
14	19.6			17.0					
16	19.1	15.2		16.6	13.4		14.3	10.8	
18	18.4	14.8	11.3	16.2	13.2	10.1	14.0	10.7	8.4
20	17.6	14.3	11.2	15.7	12.9	10.0	13.6	10.6	8.3
22	17.6	13.8	10.9	15.2	12.5	9.9	13.3	10.5	8.2
24	16.0	13.3	10.6	14.7	12.0	9.8	12.8	10.3	8.1
26	15.0	12.8	10.4	14.1	11.7	9.6	12.4	10.1	8.0
28		12.3	10.1		11.2	9.3		9.9	7.8
30		11.7	9.8		10.9	9.2		9.6	7.6
34			9.1			8.8			7.5
38			8.3			8.2			7.4
Reaving	3	2	2	2	2	2	2	2	1