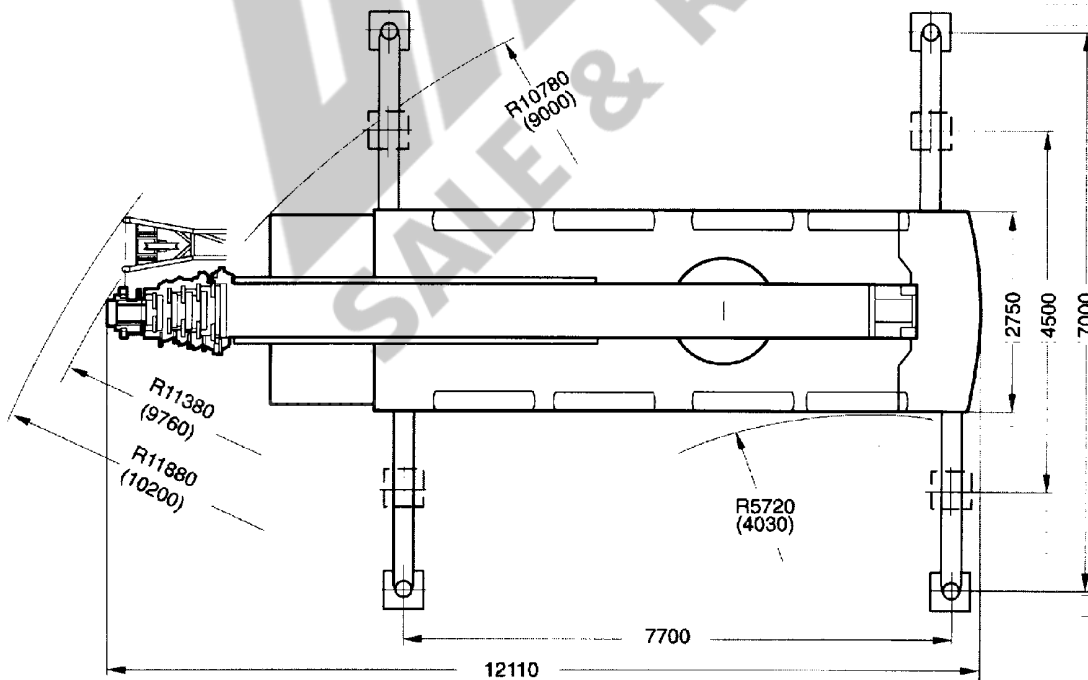
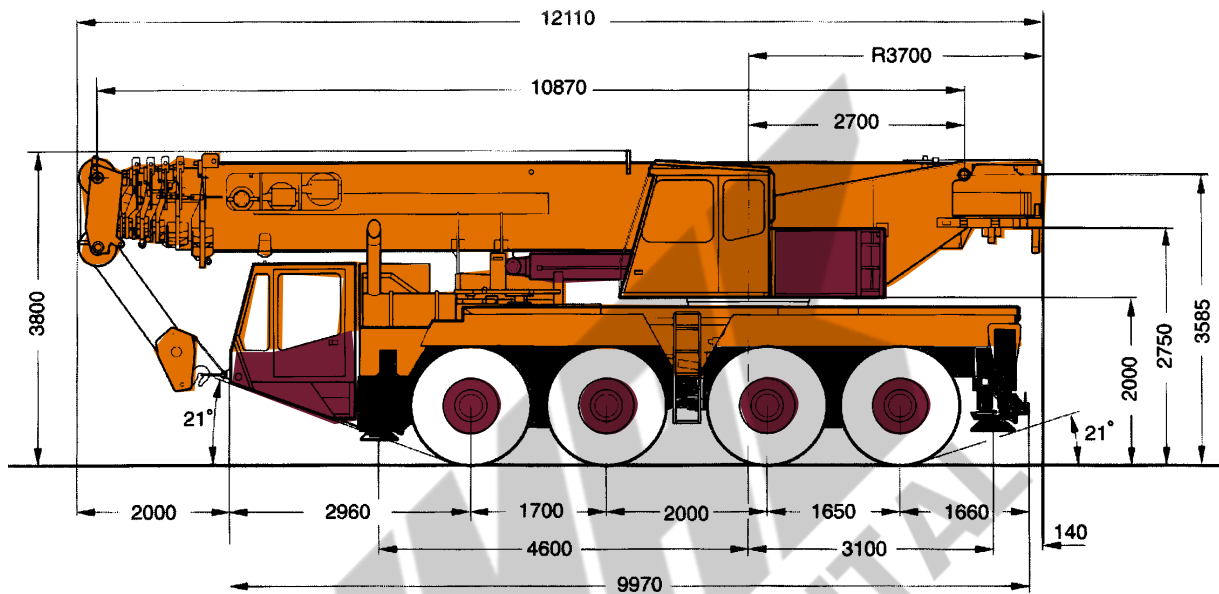


# DEMAG AC 205

## 80 Tonne Hydraulic All Terrain Crane

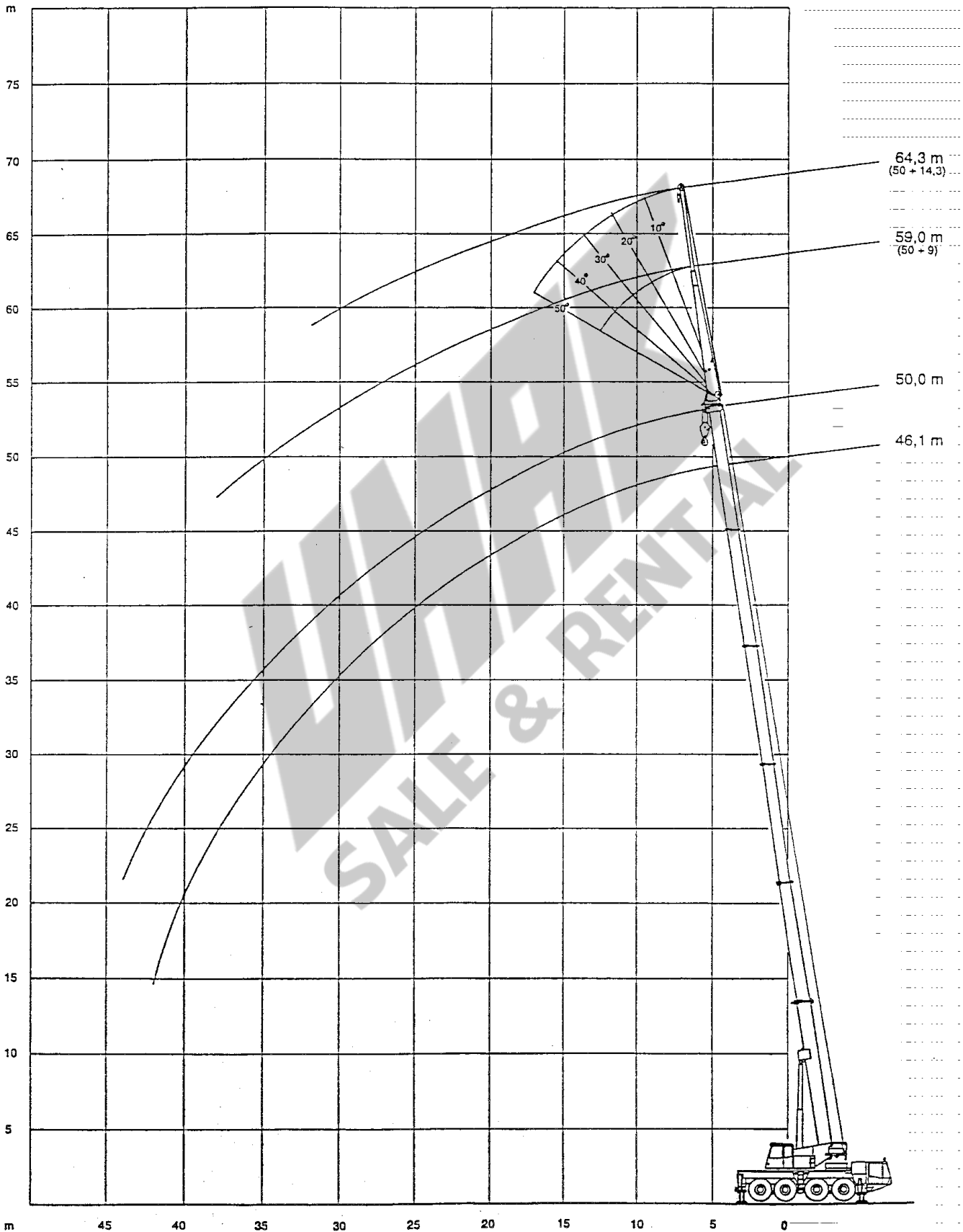
### GENERAL DIMENSIONS



# DEMAG AC 205

## 80 Tonne Hydraulic All Terrain Crane

Main Boom Extension Working Range Diagram



# DEMAG AC 205

## 80 Tonne Hydraulic All Terrain Crane

AC 205		Capacities on Main Boom									75%/DIN 15019.2
		Capacity (t) = Load + Hook Block									360°
											Counterweight 18t
											Outrigger base 7.7 x 7 m
Radius (m)	Main Boom (m)										
	10.9	16.1	21.4	25.0	31.2	37.1	42.3	46.1	50.0		
3.0	80.0*	-	-	-	-	-	-	-	-	-	
3.0	70.0	-	-	-	-	-	-	-	-	-	
3.5	64.7	50.0	-	-	-	-	-	-	-	-	
4.0	59.6	50.0	40.0	-	-	-	-	-	-	-	
4.5	55.2	50.0	38.0	30.0	-	-	-	-	-	-	
5.0	51.3	47.6	35.5	30.0	17.0	-	-	-	-	-	
6.0	42.2	41.8	31.7	28.9	17.0	15.0	-	-	-	-	
7.0	35.2	34.9	28.6	26.1	17.0	14.7	11.0	-	-	-	
8.0	28.4	29.8	26.0	23.5	17.0	14.1	11.0	8.0	-	-	
9.0	-	25.8	23.6	21.2	17.0	13.5	11.0	8.0	6.0	-	
10.0	-	22.1	21.2	19.1	16.1	12.9	11.0	8.0	6.0	-	
12.0	-	16.2	15.3	15.3	13.9	11.5	10.8	7.8	6.0	-	
14.0	-	-	11.6	11.6	12.1	10.2	9.8	7.5	5.9	-	
16.0	-	-	9.1	9.0	10.5	9.1	8.6	7.1	5.7	-	
18.0	-	-	7.2	7.1	8.5	8.1	7.6	6.7	5.4	-	
20.0	-	-	-	5.6	7.1	7.4	6.8	6.1	5.0	-	
22.0	-	-	-	-	5.9	6.3	6.2	5.6	4.6	-	
24.0	-	-	-	-	4.9	5.3	5.2	5.1	4.2	-	
26.0	-	-	-	-	4.1	4.5	4.3	4.5	3.8	-	
28.0	-	-	-	-	-	3.8	3.6	3.8	3.5	-	
30.0	-	-	-	-	-	3.2	3.0	3.2	3.2	-	
32.0	-	-	-	-	-	2.6	2.5	2.7	2.7	-	
34.0	-	-	-	-	-	-	2.1	2.3	2.3	-	
36.0	-	-	-	-	-	-	1.7	1.9	1.9	-	
38.0	-	-	-	-	-	-	1.3	1.5	1.5	-	
40.0	-	-	-	-	-	-	-	1.2	1.2	-	
42.0	-	-	-	-	-	-	-	0.9	0.9	-	
44.0	-	-	-	-	-	-	-	-	0.6	-	
<hr/>											
No. of Hoist Lines		16	10	8	6	4	3	2	2	2	
<hr/>											
Sequence of extended boom (%):											
Tel I	0	0	67	80	67	67	90	90	100		
Tel II	0	67	67	100	67	67	90	90	100		
Tel III-V	0	0	0	0	42	67	74	90	100		
<hr/>											
Dialling code for telescopic control											
	1	2	3	4	5	6	7	8	9		
<hr/>											

\* over rear

- When runner is attached load capacities must be reduced by 130 kg.

# DEMAG AC 205

## 80 Tonne Hydraulic All Terrain Crane

AC 205      Capacities on Hydraulic Extension Boom      75%/DIN 15019.2  
 Capacity (t) = Load + Hook Block      360°

Counterweight      18.0 t  
 Outrigger base 7.70 x 7.00 m

Extension Boom 9.0 m

Main Boom 42.3 m

(Sequence of extended boom 90-90-74-74-74 %)

Radius (m)	Pos.0°	Pos.10°	Pos.20°	Pos.30°	Pos.40°	Pos.50°
10.0	4.2	-	-	-	-	-
12.0	4.0	3.8	-	-	-	-
14.0	3.8	3.6	3.4	2.9	-	-
16.0	3.6	3.5	3.2	2.8	2.5	2.2
18.0	3.5	3.3	3.0	2.7	2.5	2.2
20.0	3.3	3.1	2.8	2.5	2.4	2.1
22.0	3.0	2.9	2.6	2.4	2.2	2.0
24.0	2.8	2.7	2.5	2.3	2.1	1.9
26.0	2.6	2.5	2.3	2.1	2.0	1.8
28.0	2.4	2.2	2.1	2.0	1.8	1.7
30.0	2.2	2.0	1.9	1.8	1.7	1.6
32.0	1.9	1.8	1.7	1.6	1.6	-
34.0	1.7	1.6	1.6	1.5	1.4	-
36.0	1.4	1.4	1.4	1.4	1.3	-
38.0	1.2	1.2	1.2	1.2	-	-
40.0	-	1.0	1.0	1.0	-	-

No. of Hoist Lines

2

Dialling code for telescopic control

7

# DEMAG AC 205

## 80 Tonne Hydraulic All Terrain Crane

AC 205      Capacities on Hydraulic Extension Boom      75%/DIN 15019.2  
 Capacity (t) = Load + Hook Block      360°

Counterweight      18.0 t  
 Outrigger base 7.70 x 7.00 m

Extension Boom 9.0 m

Main Boom 46.1 m

(Sequence of extended boom 90-90-90-90-90 %)

Radius (m)	Pos.0°	Pos.10°	Pos.20°	Pos.30°	Pos.40°	Pos.50°
12.0	3.3	-	-	-	-	-
14.0	3.2	3.0	3.0	-	-	-
16.0	3.1	2.9	2.8	2.7	2.5	-
18.0	3.0	2.8	2.7	2.5	2.4	2.2
20.0	2.8	2.7	2.5	2.4	2.3	2.1
22.0	2.7	2.5	2.4	2.3	2.2	2.0
24.0	2.5	2.4	2.2	2.1	2.0	1.9
26.0	2.3	2.2	2.1	2.0	1.9	1.8
28.0	2.1	2.0	2.0	1.9	1.8	1.7
30.0	2.0	1.9	1.8	1.7	1.6	1.6
32.0	1.8	1.7	1.6	1.6	1.5	1.5
34.0	1.6	1.5	1.5	1.4	1.4	-
36.0	1.4	1.4	1.3	1.3	1.2	-
38.0	1.0	1.2	1.2	1.1	1.1	-
40.0	0.7	0.8	0.9	1.0	0.9	-
42.0	-	0.6	0.6	0.7	-	-

No. of Hoist Lines

2

Dialling code for telescopic control

8

# DEMAG AC 205

## 80 Tonne Hydraulic All Terrain Crane

75%/DIN 15019.2

AC 205

Capacities on Hydraulic Extension Boom

360°

Capacity (t) = Load + Hook Block

Counterweight 18.0 t  
Outrigger base 7.70 x 7.00 m

Extension Boom 9.0 m

Main Boom 50.0 m

(Sequence of extended boom 100-100-100-100-100 %)

Radius (m)	Pos.0°	Pos.10°	Pos.20°	Pos.30°	Pos.40°	Pos.50°
12.0	1.9	-	-	-	-	-
14.0	1.9	1.9	-	-	-	-
16.0	1.9	1.9	1.9	-	-	-
18.0	1.9	1.9	1.9	1.9	1.9	1.9
20.0	1.9	1.9	1.9	1.9	1.9	1.9
22.0	1.9	1.9	1.9	1.9	1.9	1.9
24.0	1.9	1.9	1.9	1.9	1.9	1.9
26.0	1.7	1.7	1.7	1.7	1.7	1.8
28.0	1.5	1.5	1.5	1.6	1.6	1.6
30.0	1.3	1.3	1.3	1.4	1.4	1.4
32.0	1.1	1.1	1.1	1.2	1.2	1.3
34.0	0.9	1.0	1.0	1.0	1.0	1.1
36.0	0.8	0.8	0.8	0.9	0.9	0.9
38.0	0.6	0.6	0.6	0.7	0.7	-
40.0	-	-	-	0.6	0.6	-

No. of Hoist Lines

2

Dialling code for telescopic control

9

# DEMAG AC 205

## 80 Tonne Hydraulic All Terrain Crane

75%/DIN 15019.2

AC 205 Capacities on Hydraulic Extension Boom

360°

Capacity (t) = Load + Hook Block

Counterweight 18.0 t  
Outrigger base 7.70 x 7.00 m

Extension Boom 14.3 m

Main Boom 42.3 m

(Sequence of extended boom 90-90-74-74-74 %)

Radius (m)	Pos.0°	Pos.10°	Pos.20°	Pos.30°	Pos.40°	Pos.50°
12.0	2.4	-	-	-	-	-
14.0	2.3	1.8	-	-	-	-
16.0	2.1	1.7	1.4	-	-	-
18.0	2.0	1.6	1.3	1.1	-	-
20.0	1.9	1.5	1.3	1.1	1.0	-
22.0	1.7	1.4	1.2	1.1	1.0	0.9
24.0	1.6	1.3	1.2	1.0	0.9	0.9
26.0	1.5	1.3	1.1	1.0	0.9	0.9
28.0	1.4	1.2	1.1	1.0	0.9	0.9
30.0	1.3	1.2	1.0	0.9	0.9	0.9
32.0	1.3	1.1	1.0	0.9	0.9	0.9
34.0	1.2	1.1	1.0	0.9	0.9	0.9
36.0	1.2	1.0	1.0	0.9	0.9	-
38.0	1.1	1.0	0.9	0.9	0.9	-
40.0	1.1	0.9	0.9	0.9	0.9	-
42.0	1.0	0.9	0.9	0.9	-	-
44.0	0.8	0.8	0.8	0.8	-	-
46.0	-	-	0.6	0.6	-	-

No. of Hoist Lines

2

Dialling code for telescopic control

7

# DEMAG AC 205

## 80 Tonne Hydraulic All Terrain Crane

AC 205	Capacities on Hydraulic Extension Boom						75%/DIN 15019.2
	Capacity (t) = Load + Hook Block						360°
	Extension Boom 14.3 m						Counterweight 18.0 t
	Main Boom 46.1 m						Outrigger base 7.70 x 7.00 m
(Sequence of extended boom 90-90-90-90-90 %)							
Radius (m)	Pos.0°	Pos.10°	Pos.20°	Pos.30°	Pos.40°	Pos.50°	
14.0	1.9	-	-	-	-	-	
16.0	1.8	1.6	-	-	-	-	
18.0	1.8	1.6	1.4	-	-	-	
20.0	1.7	1.5	1.3	1.1	-	-	
22.0	1.6	1.4	1.3	1.1	1.0	0.9	
24.0	1.5	1.4	1.2	1.1	0.9	0.9	
26.0	1.5	1.3	1.2	1.0	0.9	0.9	
28.0	1.4	1.3	1.1	1.0	0.9	0.9	
30.0	1.4	1.2	1.1	1.0	0.9	0.9	
32.0	1.3	1.2	1.1	1.0	0.9	0.9	
34.0	1.2	1.1	1.0	0.9	0.9	0.9	
36.0	1.2	1.1	1.0	0.9	0.9	0.9	
38.0	1.1	1.0	1.0	0.9	0.9	0.9	
40.0	1.0	1.0	0.9	0.9	0.9	-	
42.0	0.8	0.9	0.9	0.8	0.8	-	
44.0	0.6	0.7	0.8	0.8	0.8	-	
46.0	-	-	0.6	0.7	-	-	
No. of Hoist Lines							2
Dialling code for telescopic control							8



# DEMAG AC 205

## 80 Tonne Hydraulic All Terrain Crane

AC 205	75%/DIN 15019.2					
Capacities on Hydraulic Extension Boom						
Capacity (t) = Load + Hook Block						
360°						
Counterweight 18.0 t						
Outrigger base 7.70 x 7.00 m						
Extension Boom 14.3 m						
Main Boom 50.0 m						
(Sequence of extended boom 100-100-100-100-100 %)						
Radius (m)	Pos.0°	Pos.10°	Pos.20°	Pos.30°	Pos.40°	Pos.50°
14.0	0.9	-	-	-	-	-
16.0	0.9	-	-	-	-	-
18.0	0.9	0.9	0.9	-	-	-
20.0	0.9	0.9	0.9	0.9	-	-
22.0	0.9	0.9	0.9	0.9	0.9	-
24.0	0.9	0.9	0.9	0.9	0.9	0.9
26.0	0.9	0.9	0.9	0.9	0.9	0.9
28.0	0.9	0.9	0.9	0.9	0.9	0.9
30.0	0.9	0.9	0.9	0.9	0.9	0.9
32.0	0.9	0.9	0.9	0.9	0.9	0.9
34.0	0.9	0.9	0.9	0.9	0.9	0.9
36.0	0.8	0.8	0.9	0.9	0.9	0.9
38.0	0.7	0.7	0.8	0.8	0.8	0.8
40.0	-	0.6	0.7	0.7	0.7	0.8
42.0	-	-	0.6	0.6	-	-
No. of Hoist Lines	2					
Dialling code for telescopic control	9					
Operating mode switch on PAT-console	1041					