

HYDRAULIC CRAWLER CRANE

KOBELCO

7070

MasterTech

Max. Lifting Capacity: 70 Tons at 4.0 Meters

Max. Boom Length: 54.9 Meters

Max. Luffing Tower Lifting Capacity: 13 Tons at 12.0 Meters

Max. Tower + Tower Jib Length: 42.7 + 30.5 Meters

Specifications

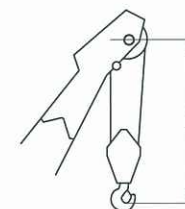
- **Max. 120m/min line speed cuts cycle times.**
- **Long-outreach lifting allows max. working radius of 44m × 2.4 tons. (Fixed jib specification)**
- **Selectable neutral-free or neutral-brake swing modes to suit task.**
- **Dial setting for drum speed simplifies multiple control.**
- **Wet type disk brake delivers powerful braking.**
- **Large capacity drum takes 40 m on the first layer.**

Principal dimensions (Model: 7070)

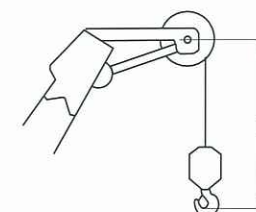
Items	(Specification)	Crawler crane	Luffing tower
Maximum lifting capacity	ton × m	7.0 × 4.0	13.0 × 12.0
Boom (tower) length	m	9.1 - 54.9	21.3 - 42.7
Jib (tower jib) length	m	6.1 - 18.3	18.3 - 30.5
Maximum boom (tower) length + jib (tower jib) length	m	45.7 + 12.2	42.7 + 30.5
Line speed	Front drum hoisting/lowering	m/min. 120-3	
	Rear drum (tower jib) hoisting/lowering	m/min. 120-3	
	Third (optional) hoisting/lowering	m/min. 120-3	
	Boom (tower) hoisting/lowering	m/min. 70-2	
Swing speed	min ⁻¹ {rpm}	4.0	
Travel speed	km/h	1.9/1.2	
Operating weight (basic position)	ton	71.1	75.6
Ground pressure (basic position)	kPa(kg/cm ²)	80(0.81)	85(0.87)
Gradability	%(degree)	40(21.8)	-
Rated line pull	kN{tf}	68.6 {7.0}	-
Engine	Type	Mitsubishi 6D16-TLE2A	
	Rated power	kW/min ⁻¹ {PS/rpm} 147/2,000{200/2,000}	
Wire rope	Front drum	mm φ22	
	Rear drum (tower jib)	mm φ22	
	Optional	mm φ22	
	Boom hoist (tower)	mm φ16	

The third drum is optional.
Line speeds based on single line, no load and first layer of rope drum.
Working speeds based on light load, vary due to loads.
The units are SI units under the international unit system and the units indicated within { } are traditional ones.

Limit of hook lifting (unit: m)



Usable hook	L
70-ton Hook	3.9
32-ton Hook	3.7
19-ton Hook	3.6



Usable hook	L'
7-ton Ball hook	3.0
7-ton Light ball hook	3.0

Front attachments and accessories

Attachments and accessories	Crawler crane	Luffing tower
3.9 m Upper boom	○	-
Tower cap	-	○
5.2 m Lower boom (common)	○	-
3.0 m Insert boom (common)	△	○
6.1 m Insert boom (with cable roller & common)	△	
9.1 m Insert boom (with cable roller & common)	△	△
9.1 m Insert boom exclusively for tower	△Dual service	○
3.0 m Upper jib	△	-
3.0 m Lower jib	△	-
6.1 m Insert jib	△	-
4.6 m Upper tower jib	-	○
4.6 m Lower tower jib	-	○
3.0 m Insert tower jib	-	○
6.1 m Insert tower jib	-	○
70-ton Hook (5 sheaves)	△	-
32-ton Hook (2 sheaves)	△	-
19-ton Hook (1 sheave)	△	△
7-ton Ball hook	△	
7-ton Light ball hook (empty weight: 60 kg)	△	-
Auxiliary sheave	△	-
Main hoist wire rope (φ22 × 215 m)	○	-
Aux. wire rope (φ22 × 125 m)	△	-
Wire rope for boom hoist (φ16 × 150 m)	○	-
Main hoist wire rope for tower (φ22 × 225 m)	-	○
Wire rope for tower jib hoist (φ22 × 120 m)	-	○
Wire rope for tower boom hoist (φ16 × 170 m)	-	○
Pillow plate for boom self-election	-	△
Anemometer with alarm	△	△
Cat walk for insert boom	△	
Upper spreader automatic storage	○	-

The sign "○" means the standard specification and the sign "△" shows the option.

Standard and Optional Equipment

Standard Equipment

Upper structure & lower structure
Counterweight 24.6 ton (9.1 t + 9.0 t + 3.3 t + 3.2 t)
800 mm width shoe crawlers
150 AH battery
Gantry raising/lowering cylinder
Electric hand throttle grip
Variable boom hoist speed controller
Variable main hoist/aux. hoist speed controller
Swing neutral-free/brake select switch
Side deck (for cab)
Left-side guard step
Anti-slip sheet (mounted on the guard)
Standard tool set (for routine maintenance)
Two front working lights
Two back mirrors
A drum monitoring mirror
One way call
Operator's cab
Air conditioner
Luggage box
Cup holder
Radio (FM/AM)
Ash tray
Cigarette lighter
Intermittent wiper and window washer (roof/front)
Sun visor
Roof blind
Green glass
Floor mat (fabric)
Rubber cover for brake pedal
Shoe tray
Safety device
Over-hoist prevention device (with slow stop function for lowering boom)
Release prevention key
Multi-display (liquid crystal)
Secondary device for over-hoist protection (automatic stop device by boom angle limit switch)
Boom over-hoist auto-stop device
Hook over-hoist auto-stop device
Boom back stop
Shutting lever lock against getting on/off
Lever lock against traveling
Cable type drum pawl (main hoist/aux. hoist)
Negative brake system (main hoist/aux. hoist, boom raising/lowering, & traveling)
Service brake pedal lock (main hoist/aux. hoist)
Lamp for neutral-free/brake select switch (main hoist/aux. hoist & swinging)
Lock type switch for neutral-free/brake (main hoist/aux. hoist & swinging)
Neutral brake release prevention (main hoist/aux. hoist)

Safety device
Automatic brake system during engine stop
Hydraulic safety valve (main hoist/aux. hoist, boom raising/lowering & traveling)
Signal horn
Swing brake lock
Swing lock pin
Swing flasher/buzzer

Optional Equipment

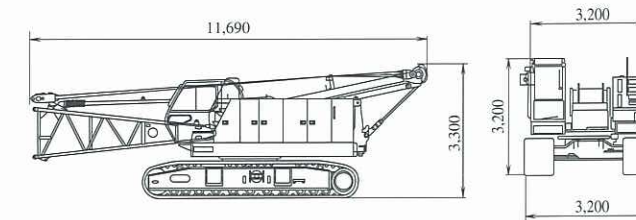
Upper structure/Lower structure
Travel kit
Third drum with wire rope of $\phi 22 \times 190$ m & free fall
Hydraulic tag-line
Oil pressure source for vibrohammer
7-Serial valve
170 AH battery (for cold district areas)
Foot acceleration function (case 1: right pedal only & case 2: both pedals)
Pedal for raising and lowering the boom (right side)
Hook lift & height gauge (main hoist/aux. hoist)
Drum rotation indicator/reflection force sensing device (main hoist/aux. hoist)
Leveler
Cab guard on the top
Catwalk at each side of upper machine
Hand-rail on machine room (both sides)
Ladder on right guard
Camera for checking the rear direction (color)
Monitoring camera for main hoist/aux. hoist/boom drums (color)
External lump for over-load indication (three/square)
Airplanes warning light
External sound alarm (traveling/swinging)
Electric fuel pump
Fire extinguisher
Electric fan

Transportation Data

7070

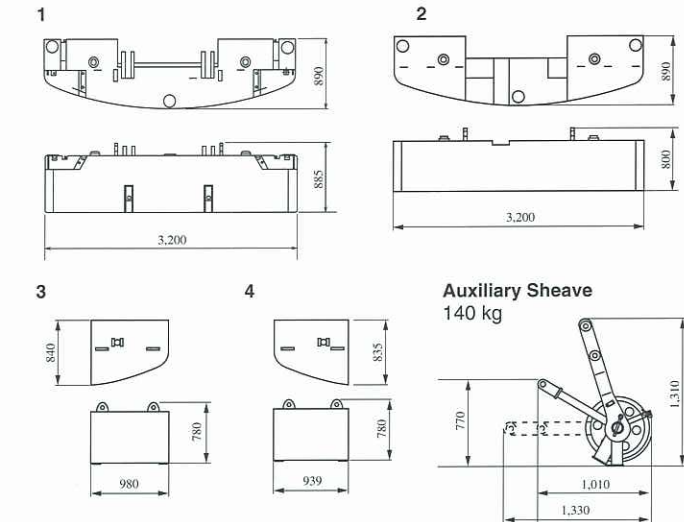
Base Machine with Lower boom

44,200 kg
7,270 mm × 3,200 mm × 2,910 mm



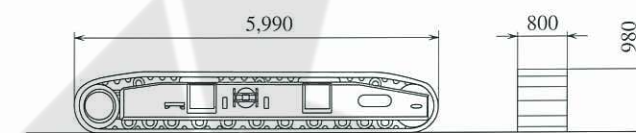
Counterweight

Total: 23,950 kg (9,100 kg + 9,000 kg + 3,000 kg + 2,850 kg)
 1 : 3,200 mm × 890 mm × 885 mm (9,100 kg)
 2 : 3,200 mm × 890 mm × 800 mm (9,000 kg)
 3 : 980 mm × 780 mm × 840 mm (3,000 kg)
 4 : 940 mm × 780 mm × 835 mm (2,850 kg)



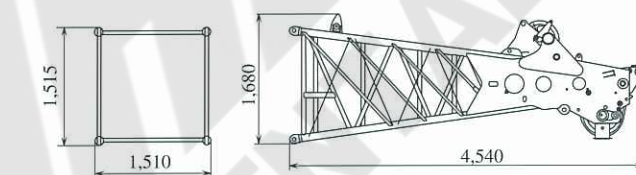
Crawlers

7,700 kg × 2
5,990 mm × 800 mm × 980 mm



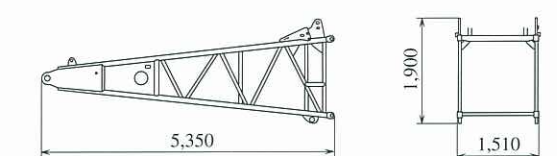
Upper Boom

1,110 kg
4,535 mm × 1,510 mm × 1,515 mm



Lower Boom

1,130 kg
5,350 mm × 1,510 mm × 1,900 mm

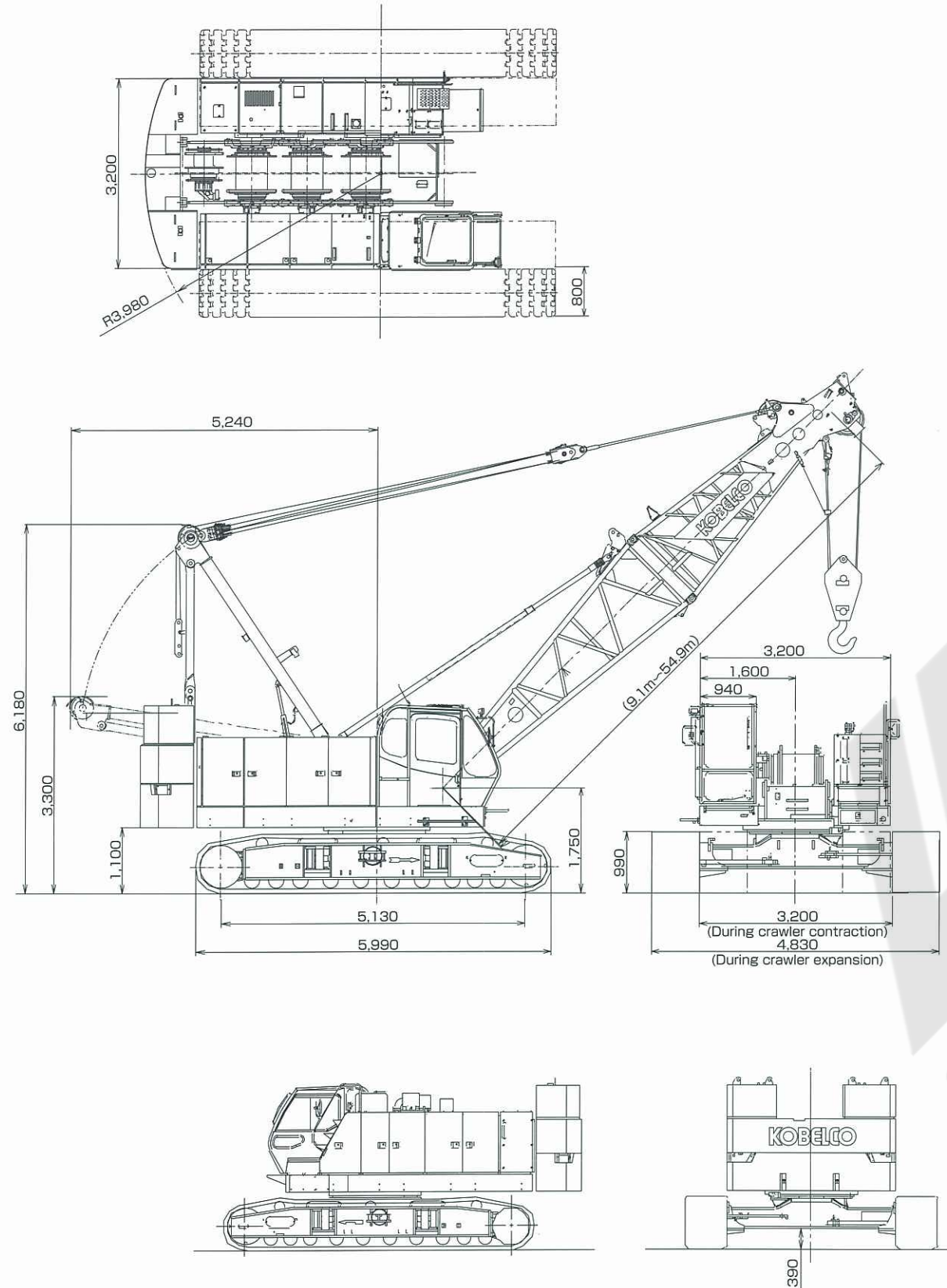


Other Attachments

Attachment	Weight	Dimensions (L x W x H)
3.0 m (10 ft) Insert Boom	310 kg	3,160 mm × 1,510 mm × 1,515 mm
6.1 m (20 ft) Insert Boom	522 kg	6,210 mm × 1,510 mm × 1,515 mm
9.1 m (30 ft) Insert Boom	742 kg	9,260 mm × 1,510 mm × 1,515 mm
6.1 m (20 ft) Insert Boom with lug	545 kg	6,210 mm × 1,510 mm × 1,645 mm
9.1 m (30 ft) Insert Boom with lugs	765 kg	9,260 mm × 1,510 mm × 1,645 mm
Upper Jib	145 kg	3,475 mm × 675 mm × 625 mm
Lower Jib	125 kg	3,190 mm × 675 mm × 625 mm
6.1 m (20 ft) Insert Jib	140 kg	6,160 mm × 675 mm × 625 mm
Jib Strut	190 kg	3,700 mm × 670 mm × 500 mm
Upper Spreader for Crane	280 kg	1,580 mm × 680 mm × 300 mm
Tower cap	750 kg	3,540 mm × 1,600 mm × 1,650 mm
9.0m (30 ft) Insert Boom for Tower	1,070 kg	9,260 mm × 1,510 mm × 2,125 mm
Upper Jib for Tower	310 kg	4,940 mm × 1,250 mm × 1,100 mm
Lower Jib for Tower	446 kg	4,880 mm × 1,250 mm × 1,100 mm
3.0 m (10 ft) Insert Jib for Tower	142 kg	3,120 mm × 1,260 mm × 1,100 mm
6.1 m (20 ft) Insert Jib for Tower	245 kg	6,160 mm × 1,260 mm × 1,100 mm
Jib Strut for Tower	800 kg	5,300 mm × 1,600 mm × 630 mm
Upper Jib Spreader for Tower	225 kg	995 mm × 640 mm × 620 mm
Lower Jib Spreader for Tower	335 kg	1,380 mm × 455 mm × 1,480 mm
70-ton Hook Block	800 kg	1,768 mm × 600 mm × 384 mm
32-ton Hook Block	500 kg	1,530 mm × 590 mm × 327 mm
19-ton Hook Block	400 kg	1,270 mm × 590 mm × 385 mm
7-ton Ball-Hook Block	160 kg	815 mm × 300 mm dia.
7-ton Light-Weight Hook Block	60 kg	847 mm × 140 mm dia.

General Dimensions

Unit: mm



Crane Attachment

7070



Boom:
Welded lattice construction using tubular, high-tensile steel chords with pin connections between sections.

Max. lifting capacity	70,000 kg
Basic boom length	9.1 m (30')
Max. boom length	54.9 m (180')



Jib (optional):
Welded lattice construction using tubular, high-tensile steel chords with pin connections between sections.

	Fixed jib
Max. lifting capacity	7,000 kg
Basic. jib length	6.1 m (20')
Max. jib length	18.3 m (60')
Max. total length (Boom length + jib length)	45.7m (150') + 12.2 (40') 42.7m (140') + 18.3 (60')



Hook blocks
A range of hook blocks can be specified, each with a safety latch.

Lifting capacity	70 tons	32 tons	19 tons	7 tons ball hook
No. of sheaves	5	2	1	0
Weight (kg)	800	500	400	160

Diameter of wire ropes

Standard:	
Hook hoist	22 mm
Boom hoist (12-part line)	16 mm
Boom guy line (2 lines)	30 mm
Optional:	
Jib hook hoist	22 mm
Jib guy line (2 lines)	20 mm

Boom backstops: required for all boom lengths

Line pull
(for crane, diaphragm wall bucket, etc.)

	Rated line pull	Max. line pull
Front	68.6 kN (7,000 kg)	159 kN (15,600 kg)
Rear	68.6 kN (7,000 kg)	159 kN (15,600 kg)

Max. line pull is theoretical values and for reference only.

Boom and Jib Arrangement

Boom Arrangement Chart

Boom length m (ft)	Boom arrangement
9.1 (30)	Base-Tip
12.2 (40)	Base-A-Tip
15.2 (50)	Base-A-A-Tip, Base-B-Tip
18.3 (60)	Base-A-B-Tip, Base-C-Tip
21.3 (70)	Base-A-C-Tip, Base-B-B-Tip, Base-A-A-B-Tip
24.4 (80)	Base-A-A-C-Tip, Base-B-C-Tip, Base-A-B-B-Tip
27.4 (90)	Base-A-B-C-Tip, Base-C-C-Tip, Base-A-A-B-B-Tip
30.5 (100)	Base-A-A-B'-C-Tip, Base-A-C'-C-Tip, Base-B-B'-C-Tip
33.5 (110)	Base-A-A-C'-C-Tip, Base-A-B-B'-C-Tip, Base-B-C'-C-Tip, Base-A-A-B-B'-B-Tip
36.6 (120)	Base-A-B-C'-C-Tip, Base-A-A-B-B'-C-Tip, Base-C-C'-C-Tip
39.6 (130)	Base-A-C-C'-C-Tip, Base-A-B-B-B'-C-Tip, Base-A-A-B-C'-C-Tip, Base-B-B-C'-C-Tip
42.7 (140)	Base-A-A-B-B-B'-C-Tip, Base-A-B-B-C'-C-Tip, Base-A-A-C-C'-C-Tip, Base-B-C-C'-C-Tip
45.7 (150)	Base-A-A-B-B-C'-C-Tip, Base-A-B-C-C'-C-Tip
48.8 (160)	Base-B-B-C-C'-C-Tip, Base-A-A-B-C-C'-C-Tip
51.8 (170)	Base-A-B-B-C-C'-C-Tip, Base-A-A-B-B-B-Tip
54.9 (180)	Base-A-A-B-B-C'-C-Tip, Base-A-B-B-C-C'-A-C-Tip

Jib Arrangement Chart

Jib length m (ft)	Boom arrangement
6.1 (20)	Base-Tip
12.2 (40)	Base-A-Tip
18.3 (60)	Base-A-A-Tip

Base = 3.05 m, Tip = 3.05 m
Insert Jib: A = 6.1 m (20')

Note:

- Jib can be fitted to main boom between 30.5 m (100') and 45.7 m (150') in length.
- Fitting a jib requires 6.1 m (20') or 9.1 m (30') insert boom with lug.

Base = 5.2 m, Tip = 3.9 m
Insert Boom: A = 3.0 m (10'), B = 6.1 m (20'), C = 9.1 m (30')
B' = 6.1 m (20') with lug for jib,
C' = 9.1 m (30') with lug for jib

Boom Lifting Capacities

Notes:

- Operating radius is the horizontal distance from centerline of rotation to a vertical line through the center of gravity the load.
- Rating do not exceed 78% of tipping load. Deduct weight of hook block(s), slings and all other load handling accessories from main boom or jib rating shown.
- Ratings shown are based on freely suspended loads and make no allowance for such factors as wind effect on lifted load, ground conditions out-of-level. Operating speeds or any other condition that could be detrimental to the safe operation of this equipment, the operator, therefore, has the responsibility to judge the existing conditions and reduce lifted loads and operating speeds accordingly.
- At radii and boom length where no ratings are shown no chart, operation is not intended or approved.
- Ratings surrounded by thick lines in the "Rated Loads" tables are determined by the machine's structural strength, and others are determined by the machine's stability.
- Gantry must be in raised position for all conditions.
- Boom inserts must be arranged as shown in the "BOOM ARRANGEMENT".
- Main Boom Rating Loads**
Deduct weight of main hook, slings and all other load handling accessories from main boom rating loads shown.
- Auxiliary Sheave Rating Loads**
Deduct weight of auxiliary hook block, slings and all other load handling accessories from auxiliary sheave rating loads shown.

10. Main Boom Rating Loads with Auxiliary Sheave

Deduct weight of main hook block, slings and all other load handling accessories from main boom rating loads (with auxiliary sheave) shown. Boom length for auxiliary sheave mounting is 9.1 m to 51.8 m.

11. Jib Rating Loads

Deduct weight of Jib hook block, slings and all other load handling accessories from jib rating loads shown.

12. Main Boom Rating Loads with Jib

Deduct weight of main hook block, slings and all other load handling accessories from main boom rating (with jib) loads shown. Jib inserts must be arranged as shown in the "JIB ARRANGEMENT"

Boom length for jib mounting is 30.5 m to 45.7 m.

13. Hoist Drum Rated Loads in Metric Tons

Main Boom

No. of parts of line	1	2	3	4	5
Max. load (metric ton)	7	14	21	28	35
No. of parts of line	6	7	8	9	10
Max. load (metric ton)	42	49	56	63	70

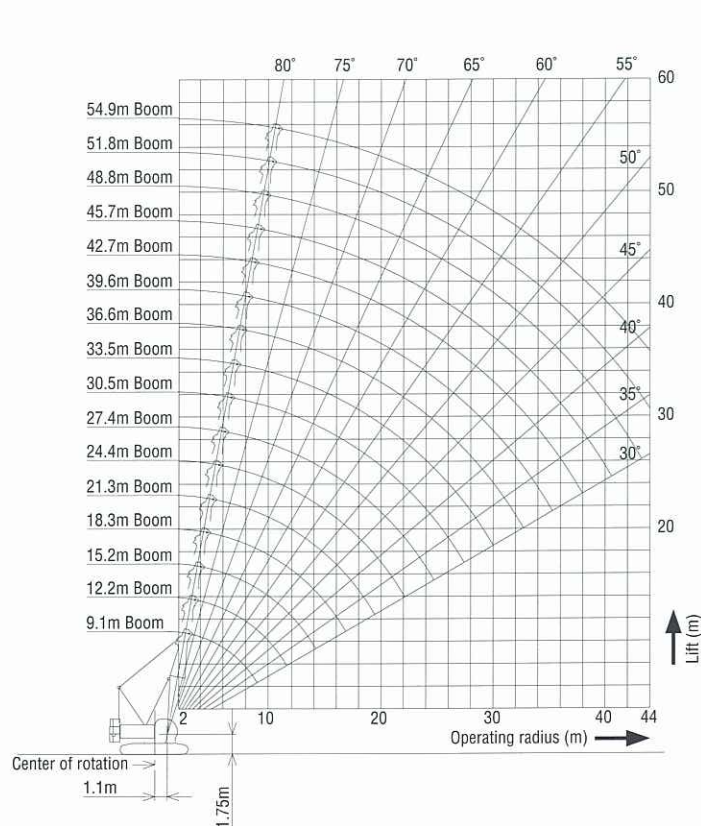
14. In principle, the boom should be erected over the front of the crawlers.

15. Both crawlers should be fully extended.

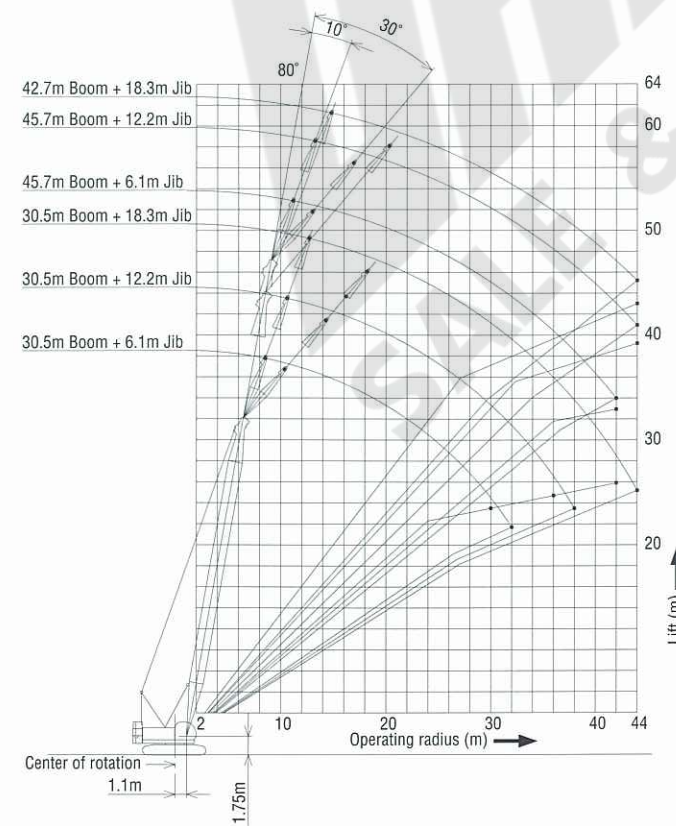
16. Figures shown by (ft) in the boom configuration are for reference only.

Working Ranges

Boom Working Range



Fixed Jib Working Range



Boom Lifting Capacities



Unit: metric ton

Rated loads in metric tons for 360° working area (with 70-ton hook block)

Crawlers fully extended

Working radius m	9.1 (40)	12.2 (50)	15.2 (60)	18.3 (70)	21.3 (80)	24.4 (90)	27.4 (100)	30.5 (110)	33.5 (120)	36.6 (130)	39.6 (140)	42.7 (150)	45.7 (160)	48.8 (170)	51.8 (180)	54.9 (190)
3.2	70.0/3.2m	70.0/3.6m														
4.0	70.0	70.0	66.9/4.2m	59.9/4.7m												
5.0	56.7	56.6	56.4	56.4	53.9/5.2m	48.0/5.7m										
6.0	45.2	45.0	44.9	44.8	44.7	44.7	41.7/6.3m	35.0/6.8m								
7.0	35.8	35.7	35.5	35.4	35.3	35.3	35.2	35.0	32.7/7.3m	28.0/7.9m						
8.0	29.6	29.4	29.3	29.2	29.1	29.0	29.0	28.9	28.8	28.0	26.8/8.4m					
9.0	23.1	25.0	24.9	24.8	24.7	24.6	24.5	24.4	24.3	24.3	24.2	21.0	21.0/9.5m			
10.0	21.8/9.2m	21.6	21.6	21.5	21.3	21.3	21.2	21.1	21.0	21.0	20.8	20.8	20.7	19.4	17.3/10.5m	14.0/11.0m
12.0		17.3/11.8m	16.9	16.8	16.7	16.6	16.5	16.4	16.3	16.2	16.1	16.1	16.0	15.8	15.8	14.0
14.0			13.8	13.7	13.6	13.5	13.4	13.3	13.2	13.1	13.0	12.9	12.8	12.6	12.5	12.3
16.0			13.2/14.5m	11.5	11.3	11.2	11.2	11.0	10.9	10.8	10.7	10.7	10.6	10.4	10.4	10.1
18.0				10.6/17.1m	9.7	9.6	9.5	9.3	9.2	9.2	9.0	9.0	8.9	8.8	8.7	8.5
20.0					8.5/19.8m	8.4	8.2	8.1	7.9	7.9	7.8	7.7	7.6	7.5	7.3	7.1
22.0						7.4	7.2	7.1	6.9	6.9	6.7	6.7	6.5	6.4	6.3	6.2
24.0						7.2/22.4m	6.4	6.2	6.1	6.0	5.9	5.8	5.7	5.5	5.4	5.3
26.0							6.0/25.0m	5.5	5.4	5.3	5.2	5.1	5.0	4.8	4.7	4.6
28.0								5.0/27.7m	4.7	4.7	4.6	4.5	4.4	4.2	4.1	4.0
30.0									4.3	4.2	4.1	4.0	3.8	3.7	3.6	3.5
32.0									4.2/30.3m	3.7	3.6	3.5	3.4	3.2	3.1	3.0
34.0										3.5/32.9m	3.2	3.1	3.0	2.8	2.6	2.5
36.0											3.0/35.6m	2.8	2.6	2.4	2.3	2.2
38.0												2.5	2.3	2.1	1.9	1.8
40.0													2.0	1.8	1.6	1.5
42.0													1.9/40.9m	1.5	1.3	1.2
44.0														1.3/43.5m	1.2	1.1
Number of cords	10	10	10	9	8	7	6	5	5	4	4	3	3	3	3	2

Note: rating inside shown in are determined by the strength of the boom or other structural components.

Auxiliary Sheave Lifting Capacities

Unit: metric ton

Rated loads in metric tons for 360° working area (with 70-ton hook block)

Crawlers fully extended

Working radius m	9.1 (40)	12.2 (50)	15.2 (60)	18.3 (70)	21.3 (80)	24.4 (90)	27.4 (100)	30.5 (110)	33.5 (120)	36.6 (130)	39.6 (140)	42.7 (150)	45.7 (160)	48.8 (170)	51.8 (180)
3.0	7.0/3.8m														
4.0	7.0	7.0/4.3m	7.0/4.9m												
5.0	7.0	7.0	7.0	7.0/5.4m	7.0/5.9m										
6.0	7.0	7.0	7.0	7.0	7.0	7.0/6.4m									
7.0	7.0	7.0	7.0	7.0	7.0	7.0	7.0	7.0/7.5m							
8.0	7.0	7.0	7.0	7.0	7.0	7.0	7.0	7.0	7.0	7.0/8.6m					
9.0	7.0	7.0	7.0	7.0	7.0	7.0	7.0	7.0	7.0	7.0	7.0/9.1m	7.0/9.6m			
10.0	7.0/9.2m	7.0	7.0	7.0	7.0	7.0	7.0	7.0	7.0	7.0	7.0	7.0	7.0/10.1m	7.0/10.7m	7.0/11.2m
12.0		7.0/11.8m	7.0	7.0	7.0	7.0	7.0	7.0	7.0	7.0	7.0	7.0	7.0	7.0	7.0
14.0			7.0	7.0	7.0	7.0	7.0	7.0	7.0	7.0	7.0	7.0	7.0	7.0	7.0
16.0			7.0/14.5m	7.0	7.0	7.0	7.0	7.0	7.0	7.0	7.0	7.0	7.0	7.0	7.0
18.0				7.0/17.1m	7.0	7.0	7.0	7.0	7.0	7.0	7.0	7.0	7.0	7.0	7.0
20.0					7.0/19.8m	7.0	7.0	7.0	7.0	7.0	7.0	7.0	7.0	7.0	7.0
22.0						6.3	6.1	6.0	5.8	5.8	5.6	5.6	5.4	5.3	5.2
24.0						6.1/22.4m	5.3	5.1	5.0	4.9	4.8	4.7	4.6	4.4	4.3
26.0							4.9/25.0m	4.4	4.3	4.2	4.1	4.0	3.9	3.7	3.6
28.0								3.9/27.7m	3.6	3.6	3.5	3.4	3.3	3.1	3.0
30.0									3.2	3.1	3.0	2.9	2.7	2.6	2.5
32.0									3.1/30.3m	2.6	2.5	2.4	2.3	2.1	2.0
34.0										2.4/32.9m	2.1	2.0	1.9	1.7	1.5
36.0											1.9/35.6m	1.7	1.5	1.3	1.2
38.0												1.4	1.2		

Note: rating inside shown in are determined by the strength of the boom or other structural components.

Fixed Jib Lifting Capacities



Jib Rated loads in metric tons for 360° working area (Jib offset angle 10°/with 32-ton or 19-ton hook)

Unit: metric ton

Boom Length m (ft)		30.5 (100)			33.5 (110)			36.6 (120)			39.6 (130)		
Working radius m	Jib length m (ft)	6.1 (20)	12.2 (40)	18.3 (60)	6.1 (20)	12.2 (40)	18.3 (60)	6.1 (20)	12.2 (40)	18.3 (60)	6.1 (20)	12.2 (40)	18.3 (60)
	9.0	7.0				7.0							
10.0	7.0				7.0			7.0			7.0		
12.0	7.0	7.0	4.5		7.0	7.0		7.0	7.0		7.0		
14.0	7.0	7.0	4.5	7.0	7.0	4.5	7.0	7.0	4.5	7.0	7.0	4.5	
16.0	7.0	7.0	4.5	7.0	7.0	4.5	7.0	7.0	4.5	7.0	7.0	4.5	
18.0	7.0	7.0	4.5	7.0	7.0	4.5	7.0	7.0	4.5	7.0	7.0	4.5	
20.0	7.0	7.0	4.5	7.0	7.0	4.5	7.0	7.0	4.5	7.0	7.0	4.5	
22.0	6.5	6.8	4.5	6.3	6.7	4.5	6.2	6.6	4.5	6.1	6.5	4.5	
24.0	5.6	6.0	4.5	5.5	5.9	4.5	5.4	5.8	4.5	5.2	5.6	4.5	
26.0	4.9	5.3	4.5	4.8	5.1	4.5	4.7	5.0	4.5	4.5	4.9	4.5	
28.0	4.3	4.7	4.5	4.2	4.5	4.5	4.1	4.4	4.5	4.0	4.3	4.5	
30.0	3.8	4.2	4.4	3.7	4.0	4.2	3.6	3.9	4.1	3.4	3.8	4.0	
32.0	3.4	3.7	3.9	3.3	3.6	3.8	3.1	3.5	3.6	3.0	3.3	3.5	
34.0		3.3	3.5	2.9	3.2	3.4	2.7	3.1	3.3	2.5	2.9	3.1	
36.0		3.0	3.2	2.5	2.8	3.0	2.3	2.7	2.9	2.1	2.6	2.8	
38.0		2.7	2.9		2.5	2.7	2.0	2.4	2.6	1.8	2.2	2.4	
40.0			2.6		2.2	2.4		2.1	2.3	1.5	1.9	2.1	
42.0			2.3		1.9	2.2		1.8	2.0		1.6	1.8	
44.0			2.1		1.9	2.1		1.5	1.7		1.3	1.6	

Note: rating inside shown in are determined by the strength of the boom or other structural components.

Boom Length m (ft)		42.7 (140)			45.7 (150)	
Working radius m	Jib length m (ft)	6.1 (20)	12.2 (40)	18.3 (60)	6.1 (20)	12.2 (40)
	9.0					
10.0						
12.0	7.0				7.0	
14.0	7.0	7.0	4.5		7.0	7.0
16.0	7.0	7.0	4.5	7.0	7.0	
18.0	7.0	7.0	4.5	7.0	7.0	
20.0	7.0	7.0	4.5	6.9	7.0	
22.0	6.0	6.4	4.5	5.9	6.3	
24.0	5.1	5.5	4.5	5.0	5.4	
26.0	4.4	4.8	4.5	4.3	4.7	
28.0	3.8	4.2	4.4	3.7	4.1	
30.0	3.3	3.7	3.9	3.2	3.6	
32.0	2.8	3.2	3.4	2.7	3.1	
34.0	2.4	2.8	3.0	2.2	2.7	
36.0	2.0	2.4	2.6	1.8	2.2	
38.0	1.6	2.0	2.3	1.5	1.9	
40.0	1.3	1.7	2.0	1.2	1.6	
42.0		1.4	1.7		1.3	
44.0		1.2	1.4			

Note: rating inside shown in are determined by the strength of the boom or other structural components.

Jib Rated loads in metric tons for 360° working area (Jib offset angle 30°/with 32-ton or 19-ton hook)

Unit: metric ton

Boom Length m (ft)		30.5 (100)			33.5 (110)			36.6 (120)			39.6 (130)		
Working radius m	Jib length m (ft)	6.1 (20)	12.2 (40)	18.3 (60)	6.1 (20)	12.2 (40)	18.3 (60)	6.1 (20)	12.2 (40)	18.3 (60)	6.1 (20)	12.2 (40)	18.3 (60)
	12.0	7.0				7.0			7.0			7.0	
14.0	7.0				7.0			7.0			7.0		
16.0	7.0	5.0			7.0	5.0		7.0	5.0		7.0	5.0	
18.0	7.0	5.0	3.2		7.0	5.0	3.2	7.0	5.0		7.0	5.0	
20.0	7.0	5.0	3.2	7.0	5.0	3.2	7.0	5.0	3.2	7.0	5.0	3.2	
22.0	6.6	5.0	3.2	6.5	5.0	3.2	6.4	5.0	3.2	6.3	5.0	3.2	
24.0	5.8	5.0	3.2	5.6	5.0	3.2	5.6	5.0	3.2	5.4	5.0	3.2	
26.0	5.0	4.9	3.2	4.9	5.0	3.2	4.8	5.0	3.2	4.7	5.0	3.2	
28.0	4.4	4.7	3.2	4.3	4.8	3.2	4.2	4.7	3.2	4.1	4.6	3.2	
30.0	3.9	4.3	3.1	3.8	4.2	3.2	3.7	4.1	3.2	3.6	4.0	3.2	
32.0		3.9	3.0	3.3	3.8	3.1	3.2	3.7	3.1	3.1	3.6	3.2	
34.0		3.4	2.9		3.3	2.9	2.8	3.2	3.0	2.6	3.1	3.1	
36.0		3.1	2.8		3.0	2.8		2.9	2.9	2.2	2.8	3.0	
38.0			2.7		2.6	2.7		2.5	2.8	1.9	2.4	2.7	
40.0			2.6			2.6		2.2	2.5		2.0	2.4	
42.0			2.5			2.3		2.3			1.7	2.1	
44.0			2.2			2.1		2.0			1.4	1.8	

Note: rating inside shown in are determined by the strength of the boom or other structural components.

Boom Length m (ft)		42.7 (140)			45.7 (150)	
Working radius m	Jib length m (ft)	6.1 (20)	12.2 (40)	18.3 (60)	6.1 (20)	12.2 (40)
	12.0					
14.0	7.0				7.0	
16.0	7.0				7.0	
18.0	7.0	5.0			7.0	5.0
20.0	7.0	5.0	3.2		7.0	5.0
22.0	6.2	5.0	3.2		6.1	5.0
24.0	5.3	5.0	3.2		5.2	4.9
26.0	4.6	5.0	3.2		4.5	4.8
28.0	4.0	4.5	3.2		3.9	4.4
30.0	3.5	3.9	3.2		3.4	3.9
32.0	3.0	3.5	3.2		2.9	3.4
34.0	2.5	3.0	3.2		2.4	2.9
36.0	2.1	2.7	3.0		2.0	2.5
38.0	1.7	2.3	2.6		1.6	2.1
40.0	1.4	1.9	2.3		1.3	1.8
42.0		1.6	2.0			1.5
44.0		1.3	1.7			1.2

Note: rating inside shown in are determined by the strength of the boom or other structural components.

Fixed Jib Lifting Capacities



Jib Rated loads in metric tons for 360° working area (Jib offset angle 10°/without main hook)

Unit: metric ton

Working radius m	Jib length m (ft)	30.5 (100)			33.5 (110)			36.6 (120)			39.6 (130)		
		6.1 (20)	12.2 (40)	18.3 (60)	6.1 (20)	12.2 (40)	18.3 (60)	6.1 (20)	12.2 (40)	18.3 (60)	6.1 (20)	12.2 (40)	18.3 (60)
9.0	7.0				7.0								
10.0	7.0				7.0			7.0			7.0		
12.0	7.0	7.0	4.5		7.0	7.0		7.0	7.0		7.0		
14.0	7.0	7.0	4.5		7.0	7.0	4.5	7.0	7.0	4.5	7.0	4.5	
16.0	7.0	7.0	4.5		7.0	7.0	4.5	7.0	7.0	4.5	7.0	4.5	
18.0	7.0	7.0	4.5		7.0	7.0	4.5	7.0	7.0	4.5	7.0	4.5	
20.0	7.0	7.0	4.5		7.0	7.0	4.5	7.0	7.0	4.5	7.0	4.5	
22.0	6.8	7.0	4.5		6.6	7.0	4.5	6.5	6.9	4.5	6.4	6.7	
24.0	5.9	6.2	4.5		5.8	6.1	4.5	5.7	6.0	4.5	5.6	5.9	
26.0	5.2	5.5	4.5		5.1	5.4	4.5	5.0	5.3	4.5	4.9	5.2	
28.0	4.6	4.9	4.5		4.5	4.8	4.5	4.4	4.7	4.5	4.3	4.6	
30.0	4.1	4.4	4.4		4.0	4.3	4.4	3.9	4.2	4.3	3.8	4.0	
32.0	3.7	4.0	4.1		3.6	3.8	4.0	3.5	3.7	3.9	3.3	3.6	
34.0		3.6	3.7		3.2	3.4	3.6	3.1	3.3	3.5	2.9	3.2	
36.0		3.2	3.4		2.8	3.1	3.2	2.7	3.0	3.1	2.6	2.9	
38.0		2.9	3.1		2.8	2.9	2.4	2.7	2.8	2.2	2.5	2.7	
40.0			2.8		2.5	2.7		2.4	2.6	1.9	2.2	2.4	
42.0			2.6		2.3	2.4		2.1	2.3		1.9	2.1	
44.0			2.3			2.2		1.9	2.1		1.7	1.9	

Note: rating inside shown in are determined by the strength of the boom or other structural components.

Working radius m	Jib length m (ft)	42.7 (140)			45.7 (150)	
		6.1 (20)	12.2 (40)	18.3 (60)	6.1 (20)	12.2 (40)
9.0						
10.0						
12.0	7.0				7.0	
14.0	7.0	7.0	4.5		7.0	
16.0	7.0	7.0	4.5		7.0	
18.0	7.0	7.0	4.5		7.0	
20.0	7.0	7.0	4.5		7.0	
22.0	6.3	6.6	4.5		6.2	
24.0	5.4	5.8	4.5		5.3	
26.0	4.7	5.1	4.5		4.6	
28.0	4.2	4.5	4.5		4.0	
30.0	3.6	3.9	4.1		3.5	
32.0	3.2	3.5	3.6		3.1	
34.0	2.8	3.1	3.2		2.7	
36.0	2.4	2.7	2.9		2.3	
38.0	2.1	2.4	2.6		1.9	
40.0	1.8	2.1	2.3		1.6	
42.0	1.5	1.8	2.0		1.3	
44.0	1.2	1.5	1.7		1.1	

Note: rating inside shown in are determined by the strength of the boom or other structural components.

Jib Rated loads in metric tons for 360° working area (Jib offset angle 30°/without main hook)

Unit: metric ton

Working radius m	Jib length m (ft)	30.5(100)			33.5(110)			36.6(120)			39.6(130)		
		6.1 (20)	12.2 (40)	18.3 (60)	6.1 (20)	12.2 (40)	18.3 (60)	6.1 (20)	12.2 (40)	18.3 (60)	6.1 (20)	12.2 (40)	18.3 (60)
12.0	7.0				7.0			7.0			7.0		
14.0	7.0				7.0			7.0			7.0		
16.0	7.0	5.0			7.0	5.0		7.0	5.0		7.0	5.0	
18.0	7.0	5.0			7.0	5.0	3.2	7.0	5.0	3.2	7.0	5.0	
20.0	7.0	5.0	3.2		7.0	5.0	3.2	7.0	5.0	3.2	7.0	5.0	
22.0	6.9	5.0	3.2		6.8	5.0	3.2	6.7	5.0	3.2	6.6	5.0	
24.0	6.0	5.0	3.2		5.9	5.0	3.2	5.8	5.0	3.2	5.7	5.0	
26.0	5.3	4.9	3.2		5.2	5.0	3.2	5.1	5.0	3.2	5.0	5.0	
28.0	4.7	4.7	3.2		4.6	4.9	3.2	4.5	4.9	3.2	4.4	4.8	
30.0	4.2	4.6	3.1		4.1	4.5	3.2	4.0	4.4	3.2	3.9	4.3	
32.0	3.7	4.1	3.0		3.6	4.0	3.1	3.5	3.9	3.1	3.4	3.8	
34.0		3.7	2.9		3.2	3.6	2.9	3.1	3.5	3.0	3.0	3.4	
36.0		3.3	2.8		2.9	3.2	2.8	2.8	3.1	2.9	2.6	3.0	
38.0		3.0	2.7		2.9	2.7	2.4	2.4	2.8	2.8	2.3	2.7	
40.0		2.7	2.6		2.6	2.7		2.5	2.7	1.9	2.4	2.6	
42.0			2.5		2.3	2.6		2.2	2.5		2.1	2.4	
44.0			2.4			2.3		1.9	2.2		1.8	2.1	

Note: rating inside shown in are determined by the strength of the boom or other structural components.

Working radius m	Jib length m (ft)	42.7 (140)			45.7 (150)	
		6.1 (20)	12.2 (40)	18.3 (60)	6.1 (20)	12.2 (40)
12.0						
14.0	7.0				7.0	
16.0	7.0				7.0	
18.0	7.0	5.0			7.0	
20.0	7.0	5.0			7.0	
22.0	6.5	5.0	3.2		6.4	
24.0	5.6	5.0	3.2		5.5	
26.0	4.9	5.0	3.2		4.8	
28.0	4.3	4.7	3.2		4.2	
30.0	3.8	4.2	3.2		3.7	
32.0	3.3	3.7	3.2		3.2	
34.0	2.9	3.3	3.2		2.8	
36.0	2.5	2.9	3.1		2.4	
38.0	2.1	2.6	2.9		2.0	
40.0	1.8	2.3	2.5		1.7	
42.0	1.5	1.9	2.3		1.4	
44.0	1.2	1.6	2.0		1.1	

Note: rating inside shown in are determined by the strength of the boom or other structural components.

Luffing Tower Attachment



Tower (optional):

Welded lattice construction using tubular, high-tensile steel chords with pin connections between sections.

Max. lifting capacity	13,000 kg
Basic tower length	21.3 m (70')
Max. tower length	42.7 m (140')



Jib (optional):

Welded lattice construction using tubular, high-tensile steel chords with pin connections between sections.

	Tower jib
Basic jib length	18.3 m (60')
Max. total length (Tower length + jib length)	42.7m (140') + 30.5 m (100')



Hook blocks

A range of hook blocks can be specified, each with a safety latch.

Lifting capacity	19 tons	7 tons ball hook
No. of sheaves	1	0
Weight (kg)	400	160

Diameter of wire ropes

Standard:

Hook hoist 22 mm
Tower hoist (12-part line) 16 mm
Tower guy line (2 lines) 30 mm

Optional:

Jib hook hoist 22 mm
Jib back stay guy line (2 lines) 30 mm

Jib hoist reeving: 8 parts of 26 mm dia. wire rope

Tower backstops: required for all tower lengths

Lifting capacities

Notes:

- Operating radius is the horizontal distance from centerline of rotation to a vertical line through the center of gravity the load.
- Raring do not exceed 78% of tipping load. Deduct weight of hook block(s), slings and all other load handling accessories from main boom or jib rating shown.
- Ratings shown are based on freely suspended loads and make no allowance for such factors as wind effect on lifted load, ground conditions out-of-level. Operating speeds or any other condition that could be detrimental to the safe operation of this equipment, the operator, therefore, has the responsibility to judge the existing conditions and reduce lifted loads and operating speeds accordingly.
- At radii and tower and tower jib length where no ratings are shown no chart, operation is not intended or approved.
- Ratings surrounded by thick lines in the "Rated Loads" tables are determined by the machine's structural strength, and others are determined by the machine's stability.
- Gantry must be in raised position for all conditions.

- Tower and tower jib inserts must be arranged as shown in the "Tower and Jib Arrangement".
- Luffing Tower Rating Loads**
Deduct weight of hook block, slings and all other load handling accessories from luffing tower rating loads shown.
- Max. hoisting load by number of reeving

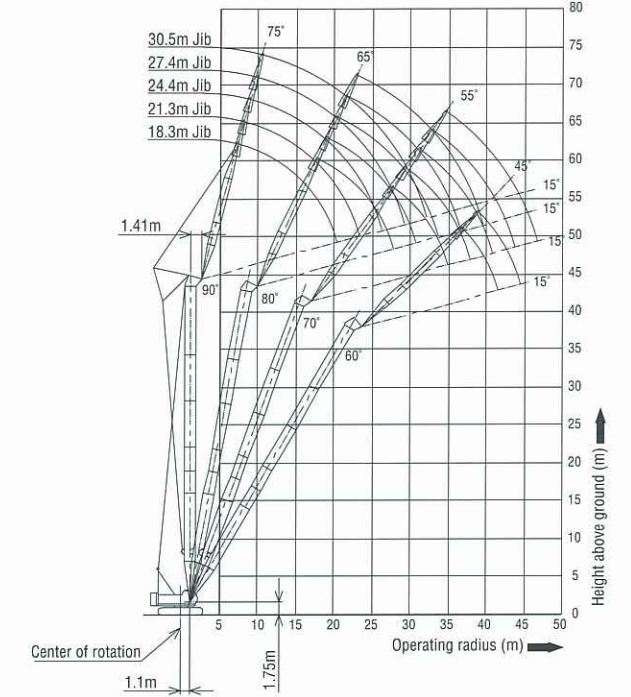
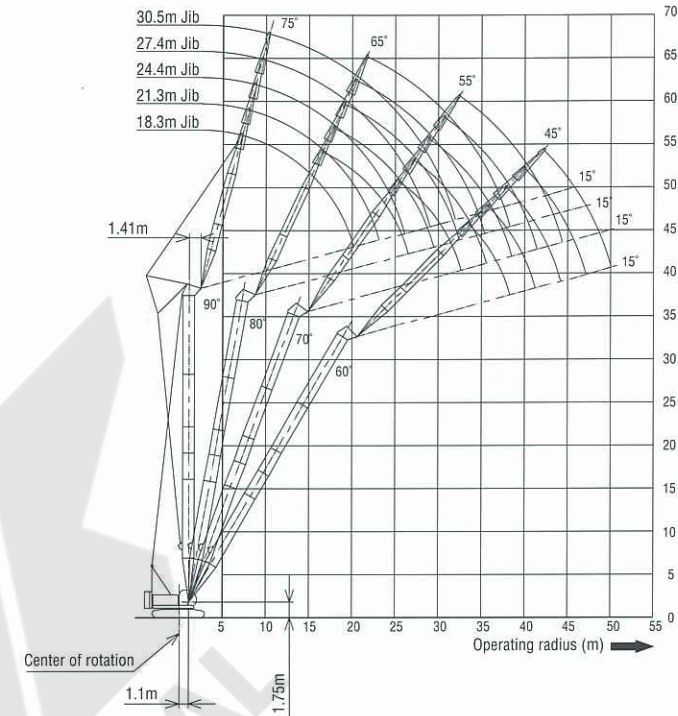
No. of parts of line	1	2
Max. load (metric ton)	7	13

- 7-ton ball hook cannot be fitted to jib of 18.3 m.
- When tower length is over 39.6 m and 42.7 m, pillow plate in front of crawlers must be used for erection.
- Always have the gantry fully raised and use the backstop during operations.
- Tower hoist reeving must be twelve parts of line.
- Both crawlers should be fully extended.
- Figures shown by (ft) in the tower (and jib) configuration are for reference only.

Luffing Tower Working Ranges

Tower Length: 33.5 m

Tower Length: 42.7 m



Tower and Jib Arrangement

Tower Arrangement Chart

Boom length m (ft)	Boom arrangement
21.3 (70)	Base-C'-B-Cap
24.4 (80)	Base-C'-A-B-Cap
27.4 (90)	Base-C'-A-A-B-Cap, Base-C'-B-B-Cap
30.5 (100)	Base-C'-A-A-B-B-Cap, Base-C'-B-C-Cap
33.5 (110)	Base-C'-A-A-B-B-Cap, Base-C'-A-B-C-Cap
36.6 (120)	Base-C'-A-A-B-B-C-Cap, Base-C'-B-B-C-Cap
39.6 (130)	Base-C'-A-B-B-C-Cap
42.7 (140)	Base-C'-A-A-B-B-C-Cap

Base = 5.2 m, Cap = 0.9 m
Insert Tower: A = 3.0 m (10'), B = 6.1 m (20'), C = 9.1 m (30')
C' = 9.1 m (30') with spreader support

Jib Arrangement Chart

Jib length m (ft)	Tower jib arrangement
18.3 (60)	Base-A-B-Tip
21.3 (70)	Base-A-A-B-Tip, Base-B-B-Tip
24.4 (80)	Base-A-B-B-Tip
27.4 (90)	Base-A-A-B-B-Tip, Base-B-B-B-Tip
30.5 (100)	Base-A-B-B-B-Tip

Base = 4.6 m (15'), Tip = 4.6 m (15')
Insert Tower: A = 3.0 m (10'), B = 6.1 m (20')

Luffing Tower Lifting Capacities



Unit: metric ton

Unit: metric ton

Luffing Tower Rated loads in metric tons for 360° working area (Tower length: 21.3m/24.4m)

Crawlers fully extended

Working radius (m)	21.3m (70 ft) Tower			
	18.3m (60') Jib			
	Tower angle			
	90°	80°	70°	60°
7.0	13.0/7.2m			
8.0	13.0			
9.0	13.0			
10.0	13.0			
12.0	13.0	13.0/13.9m		
14.0	12.5	12.5		
16.0	10.7	10.6		
18.0	9.1	9.1		
20.0	8.0	8.0	7.8/20.2m	
22.0	7.9/20.2m	7.3	7.1	
24.0		6.7/23.9m	6.4	5.4/25.9m
26.0			5.8	5.4
28.0			5.0/27.4m	4.9
30.0				4.5
32.0				4.4/30.7m

Working radius (m)	24.4 m (90 ft) Tower							
	18.3m (60') Jib				21.3m (70') Jib			
	Tower angle				Tower angle			
	90°	80°	70°	60°	90°	80°	70°	60°
7.0	13.0/7.2m							
8.0	13.0				13.0/8.0m			
9.0	13.0				13.0			
10.0	13.0				13.0			
12.0	13.0				13.0			
14.0	12.5	12.0/14.4m			12.5	10.8/15.7m		
16.0	10.7	10.5			10.6	10.5		
18.0	9.1	9.1			9.1	9.1		
20.0	8.0	8.0	7.2/21.2m		8.0	8.0		
22.0	7.9/20.2m	7.4	6.9		7.1	7.1	6.4/23.0m	
24.0		6.6	6.2		6.7/23.1m	6.6	6.1	
26.0		6.4/24.4m	5.6	4.8/27.4m		6.0	5.5	
28.0			5.1	4.7		5.7/27.3m	5.0	4.2/29.6m
30.0			5.0/28.4m	4.3			4.6	4.2
32.0				4.0			4.3/31.4m	3.8
34.0				3.9/32.2m				3.5
36.0								3.4/35.1m

Note: rating inside shown in are determined by the strength of the boom or other structural components.

Luffing Tower Rated loads in metric tons for 360° working area (Tower length: 30.5m)

Crawlers fully extended

Working radius (m)	30.5 m (100 ft) Tower															
	18.3m (60') Jib				21.3m (70') Jib				24.4m (80') Jib				27.4m (90') Jib			
	Tower angle				Tower angle				Tower angle				Tower angle			
	90°	80°	70°	60°	90°	80°	70°	60°	90°	80°	70°	60°	90°	80°	70°	60°
7.0	13.0/7.2m															
8.0	13.0				13.0/8.0m				13.0/8.8m							
9.0	13.0				13.0				13.0				13.0/9.6m			
10.0	13.0				13.0				13.0				13.0			
12.0	13.0				13.0				13.0				13.0			
14.0	12.5	10.9/15.5m			12.5				12.1				12.1			
16.0	10.7	10.5			10.6	9.9/16.8m			10.5				10.2			
18.0	9.1	9.1			9.1	9.1			9.1	9.1/18.1m			8.8	8.1/19.4m		
20.0	8.0	8.0			8.0	8.0			8.0	8.0			8.0	7.8		
22.0	7.9/20.2m	7.2	6.0/23.3m		7.2	7.2			7.1	7.1			7.2	7.0		
24.0		6.4	5.8		6.7/23.1m	6.4	5.3/25.1m		6.4	6.3			6.4	6.2		
26.0		6.0/25.4m	5.2			5.8	5.1		5.8	5.7	4.8/26.8m		5.8	5.6		
28.0			4.8			5.3	4.7		5.6/26.1m	5.2	4.5		5.3	5.1	4.3/28.6m	
30.0			4.4	3.7/30.5m		5.2/28.4m	4.3			4.8	4.2		4.9/29.0m	4.7	4.1	
32.0			4.3/30.5m	3.5			3.9	3.2/32.7m		4.6/31.3m	3.8			4.3	3.7	
34.0				3.2			3.7/33.5m	3.1			3.5	2.7/34.8m		4.0	3.4	
36.0				3.0/35.2m				2.9			3.3	2.7		3.9/34.2m	3.2	2.4/37.0m
38.0								2.7			3.2/36.4m	2.5			2.9	2.4
40.0								2.5/38.2m				2.3			2.8/39.3m	2.2
42.0												2.1/41.1m				2.0
44.0																1.9
46.0																1.8/44.1m

Note: rating inside shown in are determined by the strength of the boom or other structural components.

Luffing Tower Rated loads in metric tons for 360° working area (Tower length: 27.4 m)

Crawlers fully extended

Working radius (m)	27.4 m (90 ft) Tower											
	18.3m (60') Jib				21.3m (70') Jib				24.4m (80') Jib			
	Tower angle				Tower angle				Tower angle			
	90°	80°	70°	60°	90°	80°	70°	60°	90°	80°	70°	60°
7.0	13.0/7.2m											
8.0	13.0				13.0/8.0m			13.0/8.8m				
9.0	13.0				13.0			13.0				
10.0	13.0				13.0			13.0				
12.0	13.0				13.0			13.0				
14.0	12.5	11.8/15.0m			12.5			12.1				
16.0	10.7	10.5			10.6	10.3/16.2m		10.4	9.3/17.6m			
18.0	9.1	9.1			9.1	9.1		9.0	9.0			
20.0	8.0	8.0			8.0	8.0		8.0	8.0			
22.0	7.9/20.2m	7.3	6.6/22.3m		7.1	7.1		7.1	7.1			
24.0		6.5	6.0		6.7/23.1m	6.5	5.8/24.0m	6.4	6.4	5.3/25.8m		
26.0		6.2/24.9m	5.4			5.9	5.3	5.8	5.8	5.2		
28.0			5.0	4.2/29.0m		5.4/27.9m	4.8		5.6/26.1m	5.3	4.7	
30.0			4.7/29.5m	4.0		4.4	3.7/31.1m	4.9	4.3			
32.0				3.7		4.1	3.6	4.7/30.8m	4.0	3.3/33.3m		
34.0				3.5/33.7m		4.0/32.4m	3.3		3.7	3.2		
36.0							3.1		3.5/34.5m	3.0		
38.0							3.0/36.8m			2.8		
40.0										2.5/39.8m		

Note: rating inside shown in are determined by the strength of the boom or other structural components.

Luffing Tower Rated loads in metric tons for 360° working area (Tower length: 33.5m)

Crawlers fully extended

Working radius (m)	33.5 m (110 ft) Tower																			
	18.3m (60') Jib				21.3m (70') Jib				24.4m (80') Jib				27.4m (90') Jib				30.5m (100') Jib			
	Tower angle				Tower angle				Tower angle				Tower angle				Tower angle			
	90°	80°	70°	60°	90°	80°	70°	60°	90°	80°	70°	60°	90°	80°	70°	60°	90°	80°	70°	60°
7.0	13.0/7.2m																			
8.0	13.0				13.0/8.0m				13.0/8.8m											
9.0	13.0				13.0				13.0				13.0/9.6m							
10.0	13.0				13.0				13.0				13.0							11.6/10.4m
12.0	13.0				13.0				13.0				13.0							11.6
14.0	12.5				12.5				12.2				12.1							10.6
16.0	10.7	10.3/16.0m			10.5	9.4/17.3m			10.5				10.2							9.6
18.0	9.1	9.0			9.1	9.0			9.1	8.5/18.6m			8.8	7.8/19.9m						8.7
20.0	8.0	7.9			8.0	7.9			8.0	7.8			7.9	7.7						7.6
22.0	7.9/20.2m	7.0			7.2	7.0			7.1	7.0			7.0	6.8						6.9
24.0		6.3	5.4/24.4m		6.7/23.1m	6.3			6.4	6.2			6.3	6.1						6.1
26.0		5.7/26.0m	5.0			5.7	4.8/26.1m		5.8	5.6	4.3/27.8m		5.7	5.5						5.6
28.0			4.5			5.2	4.4		5.6/26.1m	5.1	4.3		5.2	5.0	3.9/29.7m					5.1
30.0			4.2			4.9/28.9m	4.1			4.7	3.9		4.9/29.0m	4.6	3.8					4.7
32.0			3.9/31.6m	3.0/32.0m			3.7			4.4/31.9m	3.6			4.2	3.5					4.2
34.0				2.9			3.5	2.6/34.2m			3.3			3.9	3.3					3.8
36.0				2.7			3.4/34.5m	2.5			3.0	2.2/36.3m		3.8/34.8m	3.0					3.6
38.0				2.5/36.8m				2.3			2.9/37.4m	2.2			2.8	1.9/38.5m				3.4/37.8m
40.0								2.1/39.7m				2.0			2.6	1.9				2.5
42.0												1.9			2.5/40.4m	1.8				2.3
44.0												1.7/42.6m				1.6				2.1/43.3m
46.0																1.4/45.6m				1.3
48.0																				1.1/48.0m

Note: rating inside shown in are determined by the strength of the boom or other structural components.

Luffing Tower Lifting Capacities



Unit: metric ton

Luffing Tower Rated loads in metric tons for 360° working area (Tower length: 36.6m)

Crawlers fully extended

Working radius (m)	36.6 m (120 ft) Tower																			
	18.3m (60') Jib				21.3m (70') Jib				24.4m (80') Jib				27.4m (90') Jib				30.5m (100') Jib			
	Tower angle				Tower angle				Tower angle				Tower angle				Tower angle			
	90°	80°	70°	60°	90°	80°	70°	60°	90°	80°	70°	60°	90°	80°	70°	60°	90°	80°	70°	60°
7.0	13.0/7.2m																			
8.0	13.0				13.0/8.0m				13.0/8.8m											
9.0	13.0				13.0				13.0				13.0/9.6m							
10.0	13.0				13.0				13.0				11.6/10.4m							
12.0	13.0				13.0				13.0				12.6							
14.0	12.5				12.4				12.2				12.1							
16.0	10.7	9.9/16.6m			10.6	9.0/17.4m			10.5				10.2							
18.0	9.1	8.9			9.1	8.9			9.1	8.1/19.1m			8.8							
20.0	8.0	7.8			8.0	7.8			8.0	7.7			7.8	7.4/20.4m						
22.0	7.9/20.2m	6.9			7.1	6.9			7.1	6.8			7.0	6.7						
24.0		6.2	4.9/25.4m		6.7/23.1m	6.2			6.4	6.1			6.2	6.0						
26.0		5.6	4.7		5.6	4.4/27.2m			5.8	5.5			5.6	5.4						
28.0		5.4/26.5m	4.3		5.1	4.2			5.6/26.1m	5.0	3.9/28.9m		5.1	4.9						
30.0			4.0		4.8/29.5m	3.8			4.6	3.7			4.9/29.0m	4.5	3.5/30.7m					
32.0			3.6	2.6/33.5m		3.5			4.3	3.4			4.2	3.3						
34.0			3.5/32.6m	2.6		3.3	2.2/35.7m		4.2/32.4m	3.1			3.8	3.1						
36.0				2.4		3.0/35.5m	2.2		2.9	1.8/37.9m			3.7/35.3m	2.8						
38.0				2.2			2.0		2.7	1.8			2.6							
40.0				2.0/38.3m			1.9		2.6/38.5m	1.7			2.4	1.5/40.0m						
42.0							1.7/41.2m			1.6			2.2/41.4m	1.4						
44.0										1.4				1.3						
46.0										1.3/44.2m				1.2						
48.0														1.1/47.1m						

Note: rating inside shown in are determined by the strength of the boom or other structural components.

Luffing Tower Rated loads in metric tons for 360° working area (Tower length: 39.6m)

Crawlers fully extended

Working radius (m)	39.6 m (130 ft) Tower																			
	18.3m (60') Jib				21.3m (70') Jib				24.4m (80') Jib				27.4m (90') Jib				30.5m (100') Jib			
	Tower angle				Tower angle				Tower angle				Tower angle				Tower angle			
	90°	80°	70°	60°	90°	80°	70°	60°	90°	80°	70°	60°	90°	80°	70°	60°	90°	80°	70°	60°
7.0	13.0/7.2m																			
8.0	13.0				13.0/8.0m				13.0/8.8m											
9.0	13.0				13.0				13.0				11.8/9.6m							
10.0	13.0				13.0				12.8				11.6							
12.0	13.0				13.0				12.0				10.9							
14.0	12.5				12.5				11.5				10.5							
16.0	10.7	9.2/17.1m			10.7				10.4				9.9							
18.0	9.1	8.7			9.1	8.5/18.4m			9.0	7.7/19.7m			8.8							
20.0	8.0	7.6			8.0	7.6			7.9	7.5			7.8	7.0/21.0m						
22.0	7.9/20.2m	6.8			7.2	6.8			7.1	6.6			7.0	6.6						
24.0		6.1			6.7/23.1m	6.1			6.3	6.0			6.2	5.9						
26.0		5.5	4.4/26.5m		5.5				5.7	5.3			5.6	5.3						
28.0		5.2/27.0m	4.1		5.0	3.8/28.2m			5.6/26.1m	4.9			5.1	4.8						
30.0			3.7		4.6/30.0m	3.6			4.4	3.5			4.9/29.0m	4.4	3.1/31.7m					
32.0			3.4			3.3			4.1	3.2			4.0	3.1						
34.0			3.1/33.6m	2.0/35.1m		3.0			4.0/32.9m	2.9			3.7	2.8						
36.0				2.0		2.8	1.6/37.2m		2.7				3.5/35.9m	2.6						
38.0				1.8		2.7/36.6m	1.6		2.5	1.3/39.4m			2.4							
40.0				1.5/39.8m			1.5		2.2/39.5m	1.3			2.2							
42.0							1.4			1.2			2.0	1.1						
44.0							1.2/42.7m			1.1			1.9/42.5m	1.0						
46.0																				1.5/45.4m

Note: rating inside shown in are determined by the strength of the boom or other structural components.

Luffing Tower Rated loads in metric tons for 360° working area (Tower length: 42.7 m)

Crawlers fully extended

Working radius (m)	42.7 m (140 ft) Tower																			
	18.3m (60') Jib				21.3m (70') Jib				24.4m (80') Jib				27.4m (90') Jib				30.5m (100') Jib			
	Tower angle				Tower angle				Tower angle				Tower angle				Tower angle			
	90°	80°	70°	60°	90°	80°	70°	60°	90°	80°	70°	60°	90°	80°	70°	60°	90°	80°	70°	60°
7.0	13.0/7.2m																			
7.0	13.0				13.0/8.0m				13.0				12.2/8.8m							
7.0	13.0				13.0				13.0				12.0							
7.0	13.0				13.0				13.0				11.5							
7.0	13.0				13.0				12.8				11.0							
7.0	12.4				12.4				12.1				10.3							
7.0	10.6	8.7/17.6m			10.5				9.8				8.9							
7.0	9.1	8.5			9.1	7.9/18.9m			9.1				8.6							
7.0	8.0	7.5			8.0	7.4			8.0	7.2/20.2m			7.9	6.5/21.5m						
7.0	7.9/20.2m	6.7			7.1	6.5			7.1	6.5			7.0	6.3						
7.0		6.0			6.7/23.1m	5.9			6.4	5.8			6.3	5.7						
7.0		5.4	3.9/27.5m		5.3				5.8	5.2			5.7	5.1						
7.0		5.0/27.6m	3.9		4.8	3.4/29.3m			5.6/26.1m	4.7			5.2	4.6						
7.0			3.5		4.4	3.4			4.3	2.9/31.0m			4.2	3.6						
7.0			3.2		4.3/30.5m	3.1			4.0	2.9			3.9	2.5/32.8m						
7.0			3.0			2.8			3.8/33.4m	2.7			3.6	2.5						
7.0			2.8/34.7m	1.5/36.6m		2.6			3.8/33.4m	2.4			3.3	2.3						
7.0				1.5		2.3/37.6m	1.2/38.7m			2.2			3.2/36.4m	2.1						
7.0				1.3			1.2			2.1			2.0							
7.0				1.1/41.3m			1.0			1.9/40.6m			1.8							
7.0													1.6/43.5m							
7.0																				1.4
7.0																				1.3/46.5m

Note: rating inside shown in are determined by the strength of the boom or other structural components.

KOBELCO
HYDRAULIC CRAWLER CRANE
7070

UMAK
SALE & RENTAL

Due to our policy of continual product improvements all designs and specifications are subject to change without advanced notice.

KOBELCO CRANES CO., LTD.

17-1, HigashiGotanda 2-chome, Shinagawa-ku, TOKYO, 141-8626 JAPAN
Tel: ++81 (0) 3-5789-2130 Fax: ++81 (0) 3-5789-3372