

KOBELCO

Hydraulic Crawler Crane

7065

Specifications

Max. lifting capacity: **65** metric tons at **4.0** meters

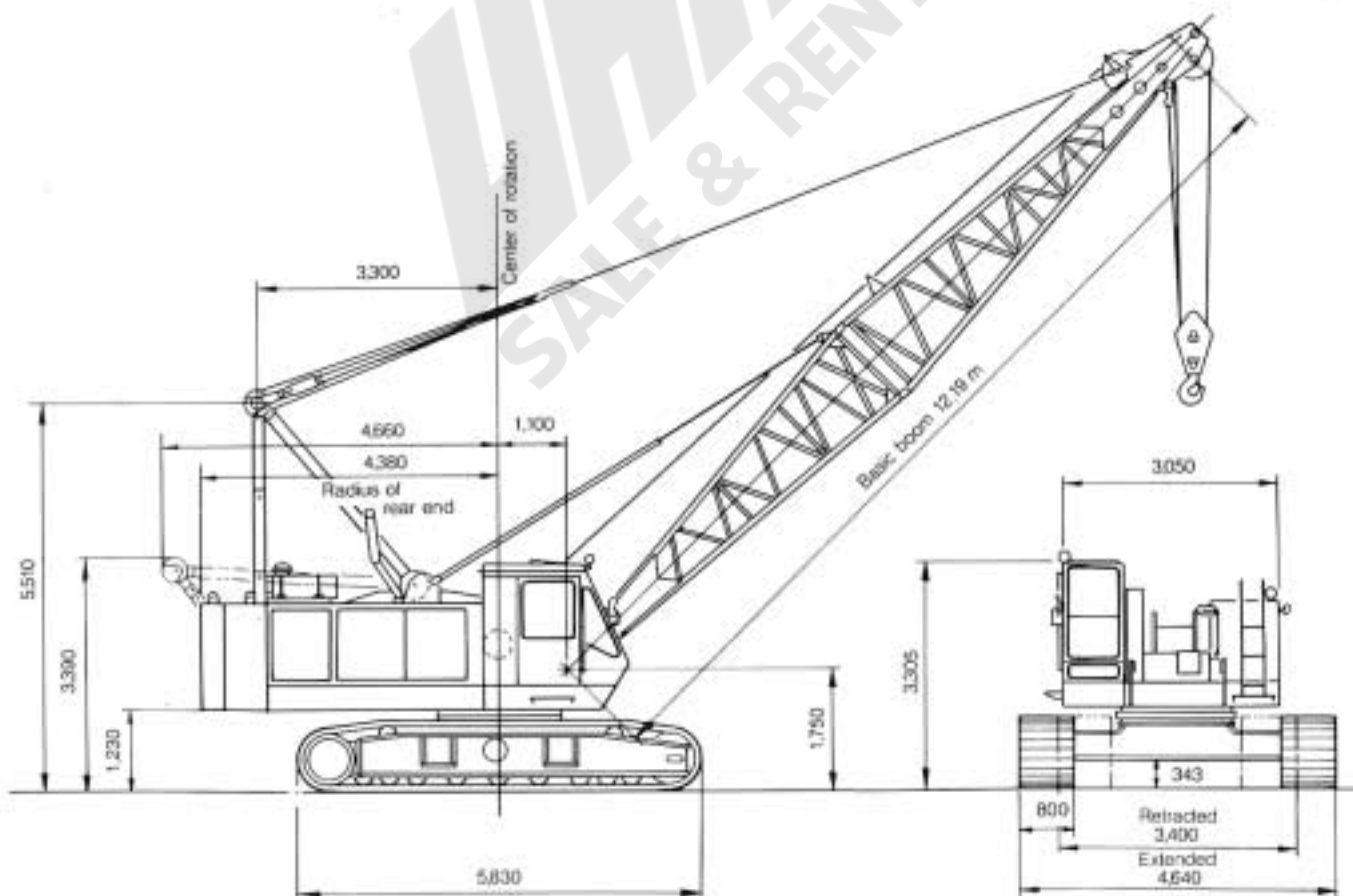
Max. boom length: **54.86** meters

Max. total length (boom + jib): **60.96** meters

- Tough winch that delivers extra lifting power
- Precise speed control for delicate inching operations
- Unrivaled fuel economy through a variable displacement hydraulic system
- Rationalized control layout for greater comfort and efficiency
- Lifetime floating seals and pre-lubricated bearings for maintenance-free operation

General Dimensions

Unit: mm



Specifications

Upper machinery



Power plant

Model Mitsubishi 6D22C diesel
Type Water cooled, direct fuel injection
No. of cylinders 6

Bore and stroke 130 mm x 140 mm

Displacement 11.1 liters

Rated power 180 ps (132 kW) at 2,000 rpm
(JIS D1005)

174 ps (128 kW) at 2,000 rpm (DIN 6270)

Max. torque 70 kgf-m at 1,200 rpm (JIS D1005)
68kgf-m at 1,200 rpm (DIN 6270)

Cooling system Liquid, recirculating bypass

Starter 24 V, 5.5 kW

Generator 24 V, 30 amp

Cycles 4

Radiator Corrugated fin type core, thermostat
controlled

Air cleaner Two stage, dry

Fuel tank capacity 280 liters

Batteries Two 12 V, 150 A-hr capacity batteries,
series connected

Fuel consumption (at 1,200 rpm) 164 gr/ps. hr



Hydraulic system

Pumps: Two variable displacement pumps
and one fixed displacement pump are
used. One variable displacement pump is

used in the left propel circuit, boom hoist circuit and
hook hoist circuit. The other is used in the right propel
circuit and hook hoist circuit, and can accommodate
an optional third hoist circuit. The fixed displacement
pump is in the swing circuit. In addition, there are two
gear pumps: one in the control system and one in the
brake system.

Control: Full-flow hydraulic control system provides infi-
nitely variable pressure to front and rear drums, boom,
hoist brakes and clutches. Response to the operator's
touch is instant, positive and smooth.

Pressure:

Load hoist, boom hoist and propel system .. 280kg/cm²

Swing system 250kg/cm²

Control system 45 kg/cm²

Hoist drum service brake system 120 kg/cm²

Reservoir capacity: 250 liters

Cooling: Oil-to-air heat exchanger, mounted in front of
radiator.

Filtration: Suction with full-flow and drain filters



Boom hoisting system

Powered by a hydraulic axial piston motor
through a planetary reducer.

Brake: Spring-set, hydraulically released
multiple-disk brake, mounted on the boom hoist motor
and operated through a counter-balance valve.

Drum lock: Spring-set hydraulically released drum
pawl, automatically actuated when boom is stopped.

Drum: One-piece cast drum, grooved for 16mm dia.
wire rope.

Line speed (Single line on first drum layer):

Hoisting (max.) 50 m/min

Lowering (max.) 50 m/min



Load hoist system

Tandem drums powered independently by
two hydraulic axial piston motors through a
planetary reducer.

Clutches: Internally expanding band clutches (splined
on shaft).

Brakes: Brake valves and externally contracting,
hydraulically set band brakes with both positive and
negative actuation.

Drum locks: Manual safety pawls (external ratchets).

Drums (front and rear): 462 mm P.D. x 520 mm wide
drums, each grooved for 22 mm wire rope. Rope
capacity of 190 m working length and 273 m storage
length.

Line speed (Single line on the first drum layer):

High 45/90 m/min

Low 30/60 m/min



Swing system

Swing unit: Independently powered by a
hydraulic axial piston motor through a
planetary reducer; 360° of rotation.

Max. swing speed 3.0 rpm

Swing brakes: Spring-set, hydraulically released
multiple-disk brake, mounted on the swing motor.

Swing circle: Single-row ball bearings with internal
swing gear. Bolted to both upper structure and under-
carriage.

Swing lock: Two-position pin-in-hole lock (manual)



Operator's cab

Totally enclosed, full-vision cab fitted with
safety glass and a sliding front window. A
fully adjustable, high-backed seat permits all
operators to set ideal working position. Signal horn,
cigarette lighter, ashtray, windshield wipers, floor mat
and cab heater are standard features.



Controls

In front of operator are foot pedals for front
and rear drum brakes. At operator's right
are console-mounted adjustable short levers
for front and rear drum control, boom hoist control
lever, and positive/negative brake select switch for front
and rear drum brakes. Beside the operator's seat on
the right are two short levers for propel control. At
operator's left are console-mounted swing lever, option-
al third drum control lever, crawler extend/retract lever,
swing lock control lever, front and rear drum pawl con-
trol knobs; switches for ignition, engine stop, low and
high speed control for front drum, rear drum and
propel; and creep speed control for hoist, boom hoist
and propel.

Gauges: Fuel, engine water temperature, engine oil
pressure, hydraulic oil temperature, hourmeter and op-
tional tachometer.

Warning lamps: Engine oil pressure, hydraulic oil pres-
sure, battery charge, engine oil filter, air cleaner, and
engine overheat.

Safety devices: Boom hoist limiter, hook over-hoist
limiter, and optional load moment limiter.



Gantry

Two-position, telescopic gantry, raised and lowered by boom hoist rope.

Counterweight

Two-piece stack, mounted behind the machinery compartment.

Total weight 18,500 kg



Tools

Tool set and accessories for routine machine maintenance.

Lower machinery

Carbody: Steel-welded carbody with 4-telescopic axles.

Crawler: Side frames can be hydraulically extended for wide-track operation or retracted for transportation.

Extension cylinders operated with a valve in the upper control system. Crawler belt tension adjusted with hydraulic jack and maintained by shims between idler block and frame.

Crawler drive: Independent hydraulic propel drive built into each side frame, each with a piston motor propelling a driving wheel through a planetary gear box.

Crawler brakes: Brake valves and spring-set, hydraulically released multiple-disc parking brakes.

Steering mechanism: Differential speed steering (driving one track faster than the other), counter-rotating steering (driving tracks in opposite directions) and skid steering (driving one track only) with lever control.

Track rollers: 9 lower rollers and 2 upper rollers in each side frame, with life-time lubrication for maintenance-free operation.

Shoes:

Number 61 each side

Standard flat shoe width 800 mm

Max. travel speed:

High 1.2 km/h

Low 0.9 km/h

Max. gradeability: 40%

Crane attachments



Boom:

Welded lattice construction using tubular, high tensile steel chords with pin connections between sections. Mid-point suspension (center-hitch) is required for boom lengths longer than 39.62 m.

Max. lifting capacity	65 tons
Basic boom length	12.19 m
Max. boom length	54.86 m



Jib (optional)

Welded lattice construction using tubular, high-tensile steel chords with pin connections between sections.

	Fixed jib	Lifting jib
Max. lifting capacity (ton)	65	12.0
Max. jib length (m)	15.24	30.48
Max. total length (m) (Boom length + jib length)	45.72 + 15.24	39.62 + 30.48



Hook blocks

A range of hook blocks can be specified, each with a safety latch.

Lifting capacity	65 tons	32 tons	19 tons	6.5 tons
No. of sheaves	5	2	1	0
Weight (kg)	700	500	400	160

Diameter of wire ropes

Standard:

Hook hoist 22 mm (dia.)

Boom hoist (12-part line) 16 mm (dia.)

Boom pendants (2-part line) 30 mm (dia.)

Optional:

Jib hook hoist 22 mm (dia.)

Jib back stay pendants 16 and 18 mm (dia.)

Boom midpoint suspension 16 mm (dia.)

Boom backstops are required for all boom lengths.

Weight

Working weight: Approx. 59,600 kg (including 12.19 m boom, 55 ton hook block and standard counterweights)

Ground pressure: 0.71 kg/cm²

Line speed and line pull

		Max. line speed m/min		Max. starting line pull	Max. running line pull
		Hoisting	Lowering		
Standard winches	Main hoist drum	H 90/45	H 90/45	14.5 ton	15.8 ton
		L 60/30	L 60/30		
	Aux. hoist drum	H 90/45	H 90/45	14.5 ton	15.8 ton
		L 60/30	L 60/30		

NOTE: All tonnage figures listed in these specifications are in metric tons.

Lifting Capacities

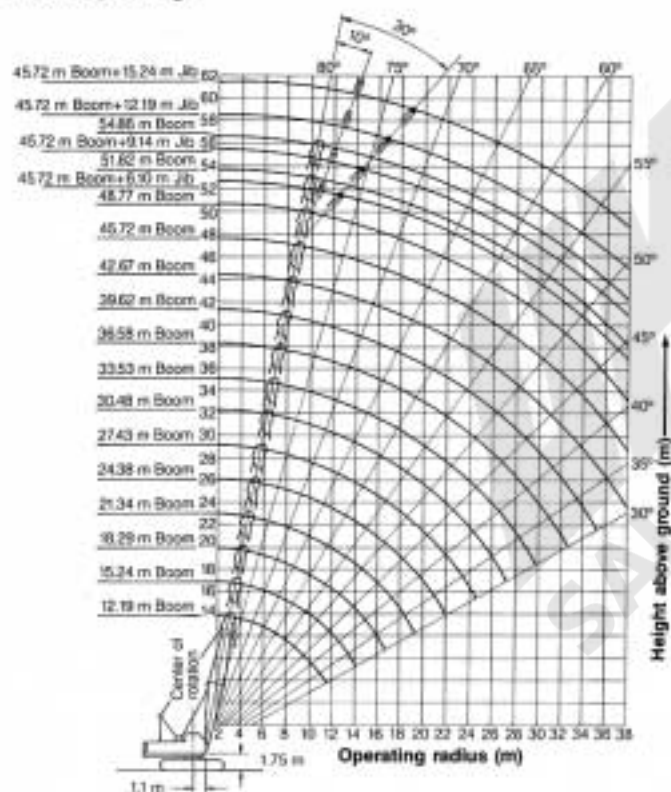
The following points should be kept in mind when interpreting the ratings given below.

1. Operating radius is the horizontal distance from center of rotation to the hoist load line or tackle with load applied.
2. Rated loads do not exceed 75% of tipping loads, and include weights of the load, hook blocks, slings and other lifting devices.
3. Rated loads are for stationary and level cranes lifting a freely suspended load, and have been determined for ideal operating conditions. The user must limit or derate lifted loads to allow for adverse conditions (such as soft or uneven ground, out-of-level conditions, winds, side loads, pendulum action, jerking or sudden stopping of loads, inexperience of personnel, multiple machine lifts and traveling with a load.)
4. Rated loads apply only to upper, lower, boom, jib, auxiliary sheave, and 18,500kg counterweight manufactured by Kobe Steel, Ltd.
5. Boom backstops are required for all boom lengths.
6. Gantry must be in fully raised position for all operations.
7. Crawlers must be fully extended and be locked in position.
8. The crane must be leveled to within 1% on a firm supporting surface.
9. When lifting over boom point with jib or auxiliary sheave, rated loads for the boom must be deducted as shown below.

Jib length	Aux. sheave	6.10m	9.14m	12.19m	15.24m
Deduct-kg	300	900	1,100	1,300	1,500

10. The total load that can be lifted with the jib at any radius is limited by the lower of the following two ratings: 1) the rated jib load, or 2) the rated load at that radius for the boom on which the jib is mounted.
11. When lifting over the boom point with a jib or auxiliary sheave, the combined weight of boom hook block, jib hook block, slings and other lifting devices is part of the total load. Their total weight must therefore be subtracted from the rated load to obtain the weight that can be lifted.
12. Boom lengths for jib mounting are 30.48m to 45.72m.
13. An auxiliary sheave cannot be used on a 54.86m boom.
14. The boom should be erected over the front of the crawlers, not laterally.

Working Range

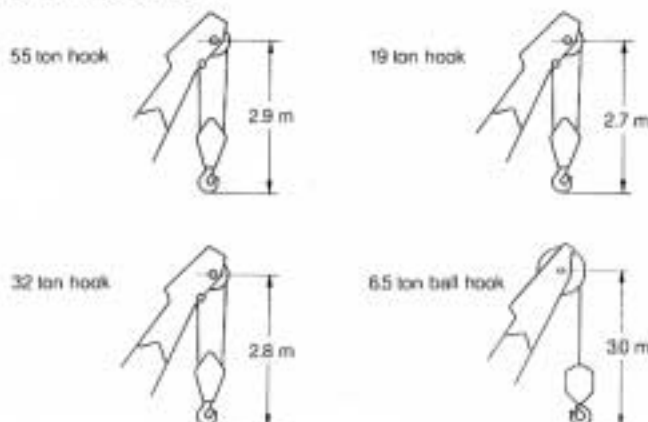


Boom Component Chart

Boom length meters (ft)	Boom arrangement
15.24 (50)	Base-A-Tip
18.29 (60)	Base-A-A-Tip, Base-B-Tip
21.34 (70)	Base-A-B-Tip
24.38 (80)	Base-B-B-Tip, Base-A-C-Tip, Base-A-A-B-Tip
27.43 (90)	Base-B-C-Tip, Base-A-B-B-Tip
30.48 (100)	Base-A-B-C-Tip, Base-C-C-Tip, Base-A-B-A-B-Tip
33.53 (110)	Base-B-B-C-Tip, Base-A-C-C-Tip
36.58 (120)	Base-B-C-C-Tip
39.62 (130)	Base-B-C-A-C-Tip
42.67 (140)	Base-A-A-B-C-C-Tip, Base-B-B-C-C-Tip
45.72 (150)	Base-C-C-B-C-Tip
48.77 (160)	Base-B-B-B-C-C-Tip
51.82 (170)	Base-C-C-B-B-C-Tip
54.86 (180)	Base-A-B-C-B-C-C-Tip

Base = 6.10 m (20'), Tip = 6.10 m (20')
 Inserts : A = 3.05 m (10'), B = 6.10 (20'), C = 9.14 m (30')

Min. Distance between the Hook and the Point Sheave



NOTE: These lengths are recommended for boom and jib angles of 75° or less.

Boom Lifting Capacities

Rated Loads in Metric Tons for 360° Working Area

Unit: ton

Boom length m (ft) Operating radius (m)	12.19 (40)	15.24 (50)	18.29 (60)	21.34 (70)	24.38 (80)	27.43 (90)	30.48 (100)	33.53 (110)	36.58 (120)	39.62 (130)	42.67 (140)	45.72 (150)	48.77 (160)	51.82 (170)	54.86 (180)	Boom length m (ft) Operating radius (m)
4	65.0	63.1														4
4.5	53.7	53.6	53.2													4.5
5	44.8	44.7	44.6	43.9												5
5.5	36.4	38.2	38.1	38.0	37.2											5.5
6	33.5	33.4	33.3	33.2	33.1	32.2										6
7	26.7	26.6	26.4	26.4	26.3	26.2	26.1									7
8	22.1	22.0	21.8	21.7	21.7	21.6	21.5	21.5	21.4							8
9	18.9	18.7	18.6	18.5	18.4	18.3	18.2	18.2	18.1	18.0	17.9					9
10	16.4	16.2	16.1	16.0	15.9	15.8	15.7	15.7	15.6	15.5	15.4	15.3	15.2			10
12	13.3*	12.8	12.6	12.5	12.4	12.3	12.2	12.2	12.1	12.0	11.9	11.8	11.7	11.6		12
14			10.3	10.2	10.1	10.0	9.9	9.9	9.8	9.6	9.5	9.5	9.3	9.2	9.2	14
16			8.7	8.6	8.4	8.3	8.2	8.2	8.1	8.0	7.8	7.8	7.7	7.6	7.5	16
18				7.3	7.2	7.1	6.9	6.9	6.8	6.7	6.6	6.5	6.4	6.3	6.2	18
20				6.6**	6.2	6.1	6.0	6.0	5.9	5.7	5.6	5.6	5.4	5.3	5.2	20
22					5.5	5.4	5.2	5.2	5.1	5.0	4.8	4.7	4.6	4.5	4.4	22
24						4.8	4.6	4.5	4.4	4.3	4.2	4.1	4.0	3.9	3.8	24
26							4.1	4.0	3.9	3.8	3.7	3.6	3.4	3.3	3.2	26
28								3.6	3.5	3.4	3.2	3.1	3.0	2.9	2.8	28
30								3.2	3.1	3.0	2.8	2.7	2.6	2.5	2.4	30
32									2.8	2.7	2.5	2.4	2.3	2.2	2.0	32
34										2.4	2.2	2.1	2.0	1.8	1.7	34
36											2.0	1.9	1.7	1.5	1.4	36
38												1.7	1.6	1.4	1.1	38

* This figure applies to an operating radius of 11.8m.

** This figure applies to an operating radius of 19.9m.

Fixed Jib Lifting Capacities

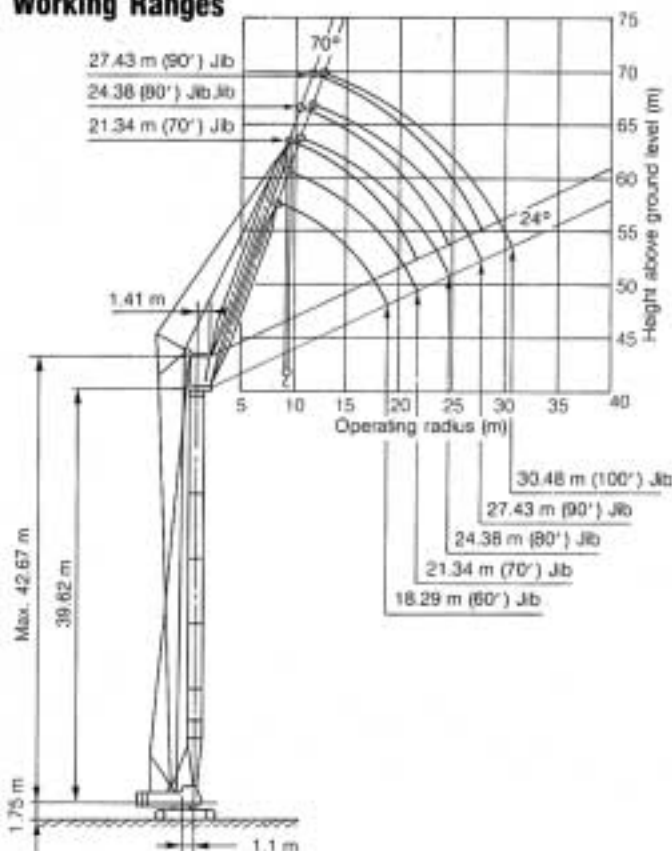
Jib Rated Loads in Metric Tons for 360° Working Area

Unit: ton

Operating radius in meters	30.48m (100') Boom								33.53m (110') Boom								36.58m (120') Boom								Operating radius in meters			
	6.10 (20') Jib		9.14 (30') Jib		12.19 (40') Jib		15.24 (50') Jib		6.10 (20') Jib		9.14 (30') Jib		12.19 (40') Jib		15.24 (50') Jib		6.10 (20') Jib		9.14 (30') Jib		12.19 (40') Jib		15.24 (50') Jib					
	Offset Angle				Offset Angle				Offset Angle				Offset Angle				Offset Angle											
	10°	30°	10°	30°	10°	30°	10°	30°	10°	30°	10°	30°	10°	30°	10°	30°	10°	30°	10°	30°	10°	30°	10°	30°				
8	65																									8		
9	65								65											65							9	
10	65	65	65						65		65									65		65					10	
12	65	65	65	60	60				65	65	65	60	60							65	65	65	60	60		5.2	12	
14	66	65	65	60	60	43	5.2		65	65	65	60	60							65	65	65	60	60		5.2	14	
16	65	65	65	60	60	43	5.2	3.7	65	65	65	60	60	43	5.2					65	65	65	60	60	43	5.2	16	
18	65	65	65	60	60	43	5.2	3.7	65	65	65	60	60	43	5.2	3.7				65	65	65	60	60	43	5.2	3.7	18
20	60	60	60	60	60	43	5.2	3.7	60	60	60	60	60	43	5.2	3.7	5.9	5.9	5.9	5.9	5.9	5.9	5.9	4.3	5.2	3.7	20	
22	5.2	5.2	5.2	5.2	5.2	4.3	5.2	3.7	5.2	5.2	5.2	5.2	5.2	4.3	5.2	3.7	5.1	5.1	5.1	5.1	5.1	5.1	4.3	5.1	3.7	22		
24	4.6	4.6	4.6	4.6	4.6	4.3	4.6	3.7	4.5	4.5	4.5	4.5	4.5	4.3	4.5	3.7	4.4	4.4	4.4	4.4	4.4	4.4	4.3	4.4	3.7	24		
26	4.1	4.1	4.1	4.1	4.1	4.1	4.1	3.7	4.0	4.0	4.0	4.0	4.0	4.0	4.0	3.7	3.9	3.9	3.9	3.9	3.9	3.9	3.9	3.9	3.9	3.7	26	
28									3.6	3.6	3.6	3.6	3.6	3.6	3.6	3.6	3.5	3.5	3.5	3.5	3.5	3.5	3.5	3.5	3.5	3.5	28	
30									3.2	3.2	3.2	3.2	3.2	3.2	3.2	3.2	3.1	3.1	3.1	3.1	3.1	3.1	3.1	3.1	3.1	3.1	30	
32																	2.8	2.8	2.8	2.8	2.8	2.8	2.8	2.8	2.8	2.8	32	
Operating radius in meters	42.67m (140') Boom								45.72m (150') Boom								Operating radius in meters											
	6.10 (20') Jib		9.14 (30') Jib		12.19 (40') Jib		15.24 (50') Jib		6.10 (20') Jib		9.14 (30') Jib		12.19 (40') Jib		15.24 (50') Jib													
	Offset Angle				Offset Angle				Offset Angle																			
	10°	30°	10°	30°	10°	30°	10°	30°	10°	30°	10°	30°	10°	30°	10°	30°												
10	65																10											
12	65	65	65						65		65						12											
14	65	65	65	60	60				65	65	65					5.2	14											
16	65	65	65	60	60	43	5.2		65	65	65	60	60			5.2	16											
18	65	65	65	60	60	43	5.2	3.7	65	65	65	60	60	43	5.2	3.7	18											
20	58	58	58	58	58	43	5.2	3.7	56	56	56	56	56	43	5.2	3.7	20											
22	48	48	48	48	48	43	4.8	3.7	4.7	4.7	4.7	4.7	4.7	4.3	4.7	3.7	22											
24	4.2	4.2	4.2	4.2	4.2	4.2	4.2	3.7	4.1	4.1	4.1	4.1	4.1	4.1	4.1	3.7	24											
26	3.7	3.7	3.7	3.7	3.7	3.7	3.7	3.7	3.6	3.6	3.6	3.6	3.6	3.6	3.6	3.6	26											
28	3.2	3.2	3.2	3.2	3.2	3.2	3.2	3.1	3.1	3.1	3.1	3.1	3.1	3.1	3.1	3.1	28											
30	2.8	2.8	2.8	2.8	2.8	2.8	2.8	2.7	2.7	2.7	2.7	2.7	2.7	2.7	2.7	2.7	30											
32	2.5	2.5	2.5	2.5	2.5	2.5	2.5	2.4	2.4	2.4	2.4	2.4	2.4	2.4	2.4	2.4	32											
34	2.2	2.2	2.2	2.2	2.2	2.2	2.2	2.1	2.1	2.1	2.1	2.1	2.1	2.1	2.1	2.1	34											
36	2.0	2.0	2.0	2.0	2.0	2.0	2.0	1.9	1.9	1.9	1.9	1.9	1.9	1.9	1.9	1.9	36											
38	1.7	1.7	1.7	1.7	1.7	1.7	1.7	1.6	1.6	1.6	1.6	1.6	1.6	1.6	1.6	1.6	38											

Luffing Jib

Working Ranges



Rated Loads in Metric Tons for 360° Working Area

Unit: ton

Tower boom length m (ft)	21.34-39.62 (70-130)	24.38-42.67 (80-140)	27.43-42.67 (90-140)	30.48-42.67 (100-140)	33.53-39.62 (110-130)
Operating radius m (ft)	18.29 (60)	21.34 (70)	24.38 (80)	27.43 (90)	30.48 (100)
10.5	12.0				
12	12.0	12.0			
13	11.1	11.1	11.0		
14	10.2	10.2	10.2	9.4	
15	9.4	9.4	9.4	9.0	7.8
16	8.7	8.7	8.7	8.7	7.6
18	7.5	7.5	7.5	7.5	7.0
20	7.0*	6.5	6.5	6.5	6.5
22		5.6	5.6	5.6	5.6
24			4.9	4.9	4.9
26			4.7**	4.2	4.2
28				3.9***	3.6
30					3.1

Note: Major precautions for this model are identical to those for 7005 crawler crane.

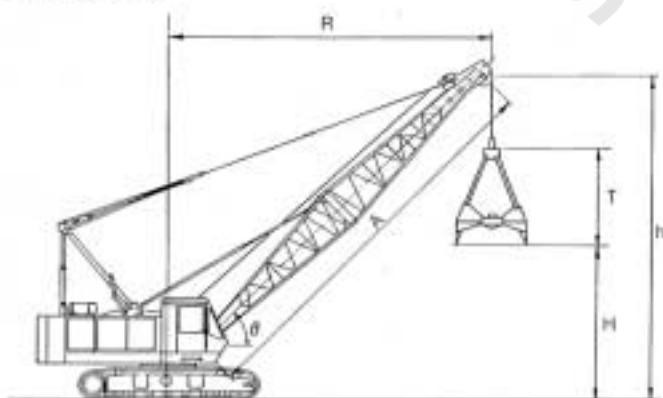
- * This figure applies to an operating radius of 18 m.
- ** This figure applies to an operating radius of 24.5 m.
- *** This figure applies to an operating radius of 27 m.

Clamshell

Clamshell Ratings and Working Ranges

A Boom length (m)		12.19				15.24				18.29				
B Boom angle (°)		35	45	55	65	35	45	55	65	35	45	55	65	
R Working radius (m)		11.5	10.1	8.5	6.7	14.0	12.3	10.3	8.0	16.0 (370°)	14.5	12.0	9.3	
H Height at bucket opening	Bucket capacity	0.8m³	2.7	4.3	5.7	6.8	4.4	6.5	8.2	9.5	6.2	8.6	10.7	12.3
		1.0m³	2.7	4.3	5.7	6.8	4.4	6.5	8.2	9.5	6.2	8.6	10.7	12.3
		1.2m³	2.3	3.9	5.3	6.4	4.0	6.1	7.8	9.1	5.8	8.2	10.3	11.9
		1.6m³	2.4	4.0	5.4	6.5	4.1	6.2	7.9	9.2	5.9	8.3	10.4	12.0
h Boom point height (m)		8.5	10.2	11.6	12.7	10.3	12.4	14.1	15.5	12.7	14.5	16.6	18.2	
Rated loads (ton)		5.5				5.5				5.5				

Dimensions



T: Bucket clearance

Clamshell Buckets

Capacity (m³)	Approximate weight (kg)	Bucket clearance (m)
0.8	2,100	3.3
1.0	2,500	3.3
1.2	3,100	3.7
1.6	2,000	3.6

Boom Component Chart

Boom length (m)	Boom arrangement
15.24	Base-A-Tip
18.29	Base-B-Tip

Base = 6.10 m Tip = 6.10 m Inserts: A = 3.05 m, B = 6.10 m

Note:

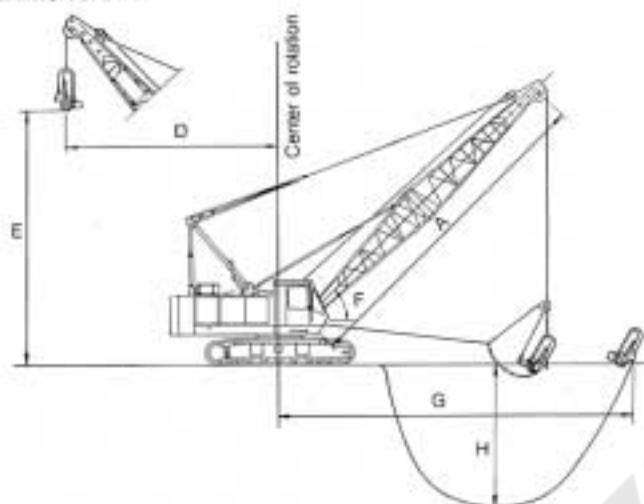
- 1) Bucket weight must not exceed 3.1 tons.
- 2) The 1.6 m³ bucket is for loading operations.
- 3) Clamshell ratings also apply to grapple and all other material-handling buckets except dragline.
- 4) For clamshell operations, bucket weight is considered part of the load and the total bucket weight plus contents must not exceed the corresponding rating shown.
- 5) Ratings assume the use of a KOBELCO boom.

Dragline

Dragline Ratings and Working Ranges

A	Boom length (m)	12.19			15.24			18.29		
F	Boom angle (°)	30	40	50	30	40	50	30	40	50
D	Dumping radius (m)	11.9	10.7	9.2	14.5	13.0	11.2	17.2	15.4	13.1
E	Max. dumping height (m)	5.1	6.8	8.3	6.6	8.8	10.7	8.1	10.8	13.0
G	Max. digging radius (m)	16.8	15.3	13.3	20.2	18.3	15.7	23.6	21.3	18.2
H	Max. digging depth (m)	9.4	8.2	6.6	12.0	10.5	8.6	11.1	8.5	6.2
Rated load (ton)		4.8			4.8			4.8		

Dimensions



Boom Component Chart

Boom length (m)	Boom arrangement
15.24	Base-A/Tip
18.29	Base-B/Tip

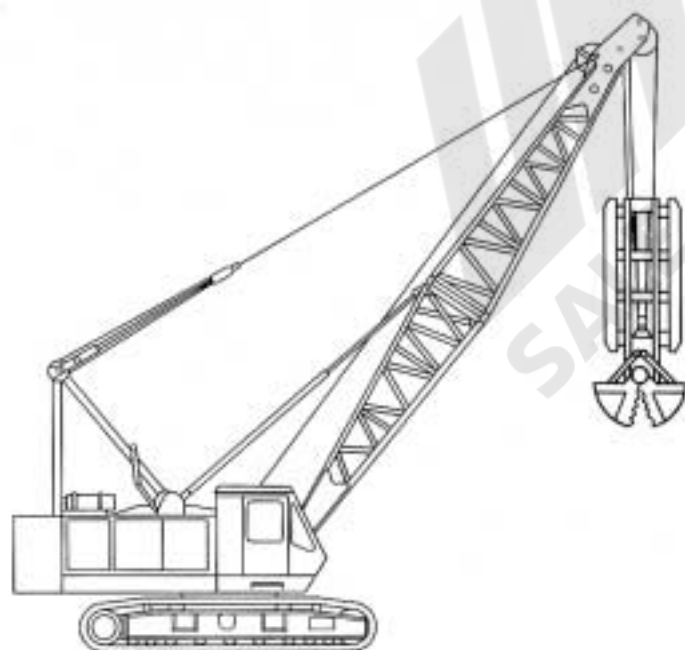
Base = 6.10 m
 Tip = 6.10 m
 Inserts: A = 305 m, B = 6.10 m

Note:

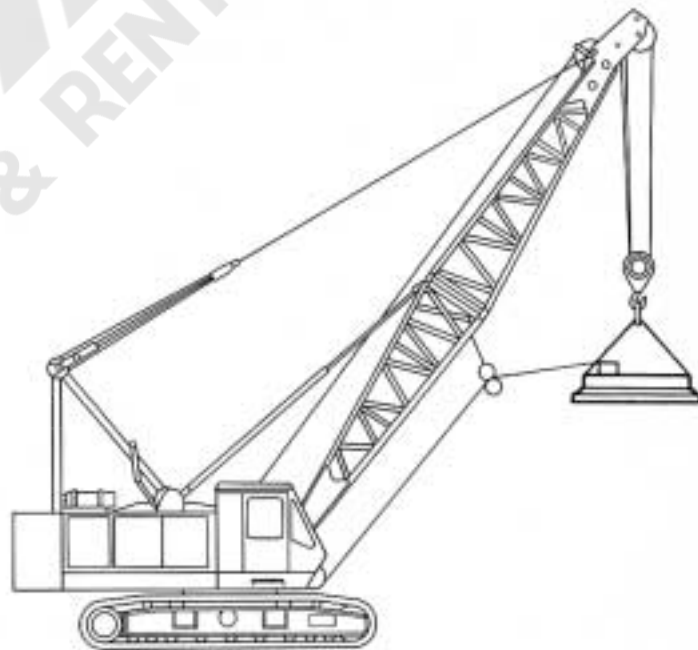
- 1) Dimension G may vary considerably depending on digging conditions and the skill of the operator.
- 2) Dimension H may vary depending on digging material.
- 3) Above ratings are for combined weight of bucket, accessories, and material.
- 4) Maximum boom length recommended for dragline operation is 18.29 m.
- 5) A 10-ton counterweight should be attached for dragline operation.
- 6) Maximum allowable bucket weight is 2 tons.
- 7) Maximum allowable digging bucket size:

Heavy duty type	1.5 m ³
Light duty type	2.0 m ³

Diaphragm Wall Bucket



Lifting Magnet



Diaphragm Wall Bucket/Lifting Magnet

* For specific information on the use of the diaphragm wall bucket and lifting magnet, please contact Kobe Steel, Ltd.

Pile Driver

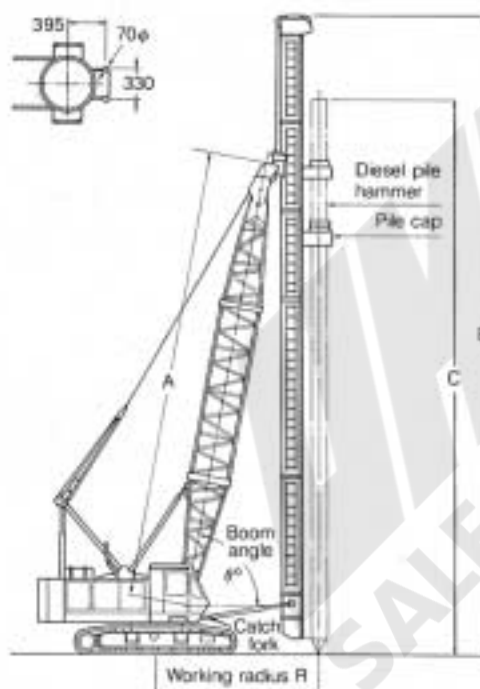
Working Capacities with Standard Counterweight

Leader model		LAGDA																																	
Diesel pile hammer	Model	KOBELCO K25						KOBELCO K35						KOBELCO K45						KOBELCO KB60															
	Hammer weight (ton)	5.2						7.5						10.5						15.0															
	Cap. weight (ton)	0.5						1.0						1.8						3.0															
A. Boom length (m)		15.2	18.3	18.3	21.3	21.3	24.4	15.2	18.3	18.3	21.3	21.3	24.4	15.2	18.3	18.3	21.3	21.3	24.4	15.2	18.3														
B. Leader length (m)		21	24	27	30	33	36	21	24	27	30	33	36	21	24	27	30	33	36	21	24														
C. Pile length (m)		15.5 -15.0	18.5 -18.0	21.5 -21.0	24.5 -23.5	27.5 -26.5	30.5 -30.0	16.5 -14.0	17.5 -17.0	20.5 -20.0	23.5 -23.0	26.5 -26.0	29.5 -29.5	14.0 -13.5	17.0 -16.5	20.0 -19.5	23.0 -23.5	26.0 -26.0	29.0 -29.5	12.5 -17.5	16.0 -15.5														
R. Working radius (m)		R	W	R	W	R	W	R	W	R	W	R	W	R	W	R	W	R	W	R	W	R	W	R	W	R	W	R	W	R	W	R	W		
W. Rated load (ton)																																			
Boom angle (°)	82	—	—	—	—	—	—	—	—	—	—	—	—	—	—	—	—	—	—	—	—	—	—	—	—	—	—	—	—	—	—	—	—	—	
	81	—	—	—	—	—	6.4	6.5	6.4	6.5	6.5	6.5	—	—	—	—	—	—	—	—	—	—	—	—	—	—	—	—	—	—	—	—	—	—	
	80	—	—	6.2	6.0	6.2	6.5	6.7	6.5	6.7	6.5	6.7	6.5	—	—	—	—	—	—	—	—	—	—	—	—	—	—	—	—	—	—	—	—	—	—
	79	—	—	6.5	6.0	6.5	6.5	7.1	6.5	7.1	6.5	7.7	5.5	—	—	—	—	—	—	—	—	—	—	—	—	—	—	—	—	—	—	—	—	—	—
	78	6.2	6.5	6.9	6.5	6.9	6.5	7.5	6.5	7.5	6.5	8.1	4.0	6.5	8.0	6.9	8.0	6.9	8.0	7.5	6.0	7.5	4.5	—	—	—	—	—	—	—	—	—	—	—	—
	77	6.5	6.5	7.2	6.5	7.2	6.5	7.9	6.5	7.9	6.5	8.5	3.0	6.5	8.0	7.2	8.0	7.2	8.0	7.9	4.5	7.9	3.0	—	—	—	—	—	—	—	—	—	—	—	—
	76	6.7	6.5	7.5	6.5	7.5	6.5	8.2	6.5	8.2	5.5	9.0	1.5	6.8	8.0	7.5	8.0	7.5	7.5	8.3	3.5	8.3	2.0	—	—	—	—	—	—	—	—	—	—	—	—
	75	7.0	6.5	7.8	6.5	7.8	6.5	8.6	5.5	8.6	4.0	—	—	7.1	8.0	7.9	7.0	7.9	6.5	8.6	2.0	8.6	1.0	—	—	—	—	—	—	—	—	—	—	—	—
	74	7.3	6.5	8.1	6.5	8.1	6.5	8.9	4.0	8.9	3.0	—	—	7.3	8.0	8.2	5.5	8.2	5.0	9.0	1.8	—	—	—	—	—	—	—	—	—	—	—	—	—	—
	73	7.5	6.5	—	—	—	—	—	—	—	—	—	—	7.6	8.0	—	—	—	—	—	—	—	—	—	—	—	—	—	—	—	—	—	—	—	—

Note:

- 1) Figures assume the use of 800mm crawler shoes.
- 2) Crawler frames must be fully extended and locked.
- 3) Driving angle must be kept within 10° of the leader angle.
- 4) Recommended catch fork length: 4.1-5.5m

Dimensions



NOTE: Due to our policy of continual product improvement, all designs and specifications are subject to change without advance notice.

Address inquiries to:

KOBE STEEL, LTD.

CONSTRUCTION MACHINERY DIVISION

27-8, Jingumae 6-chome, Shibuya-ku, Tokyo 150, Japan

Tel: (03) 3797-7021/Fax: (03) 3797-7072

Cable: KOBESTEEL TOKYO