

ATF 600G-8

660 TON CAPACITY

**ALL
TERRAIN
CRANE**

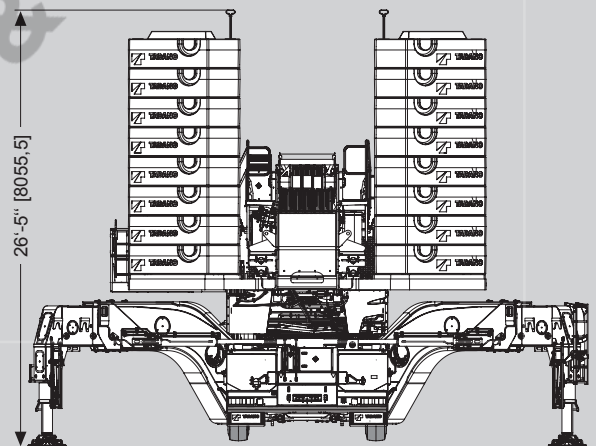
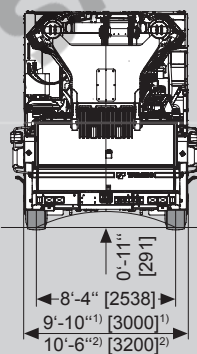
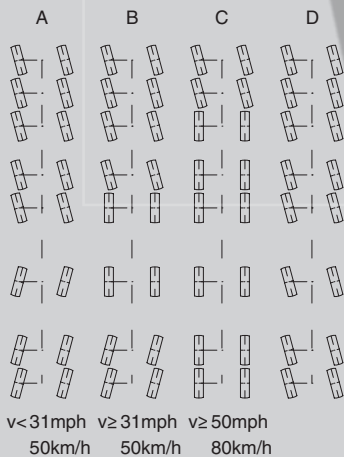
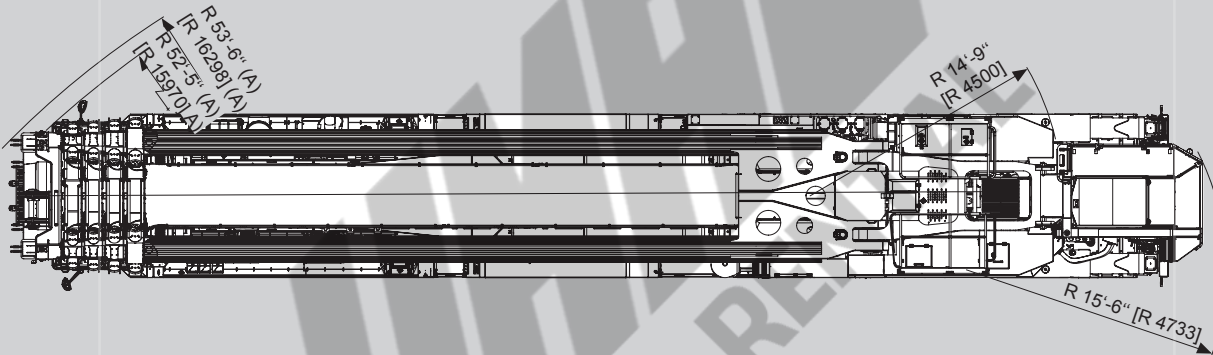
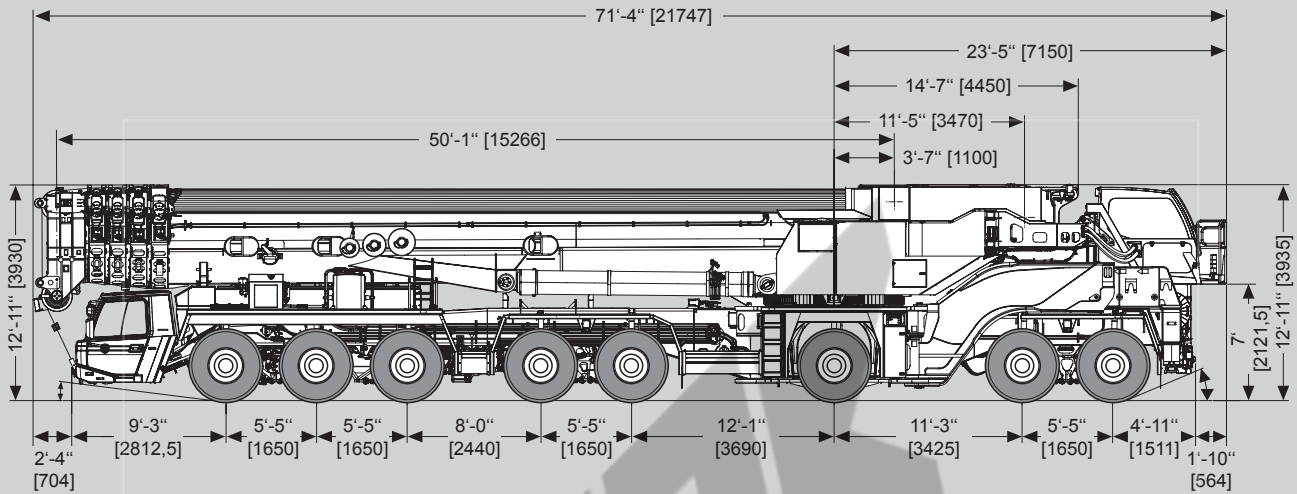


PRELIMINARY

2 ENGINES

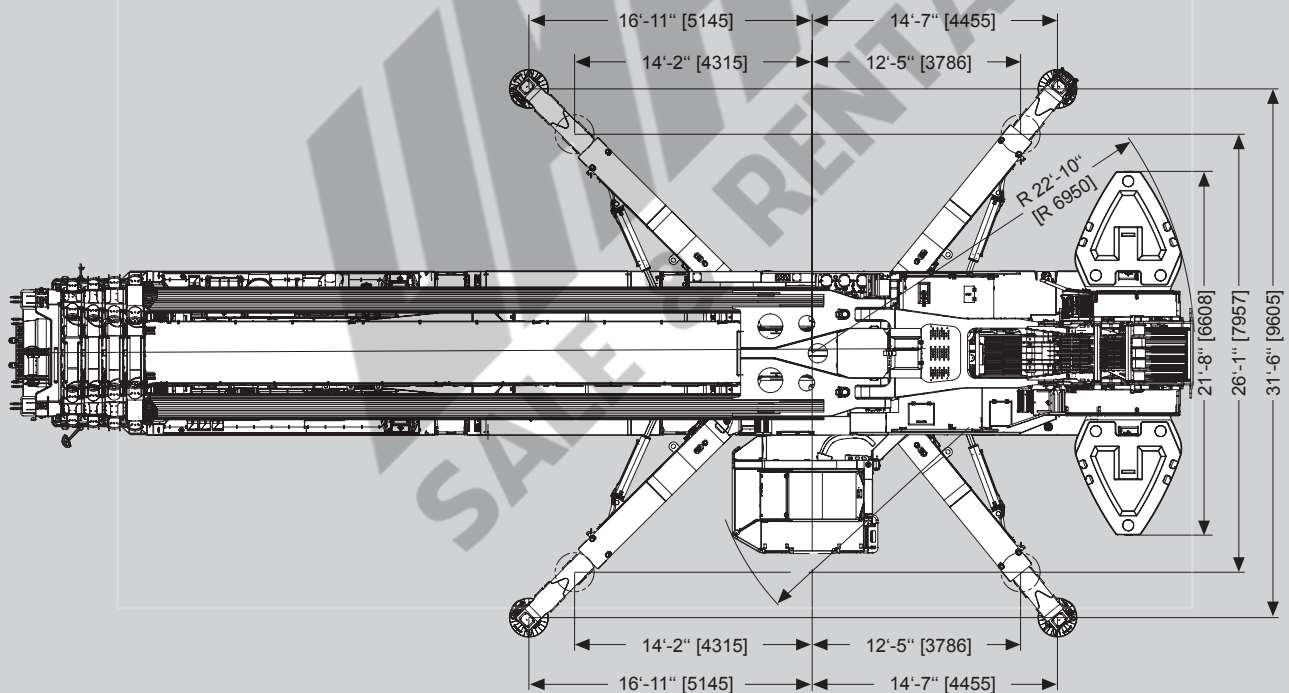
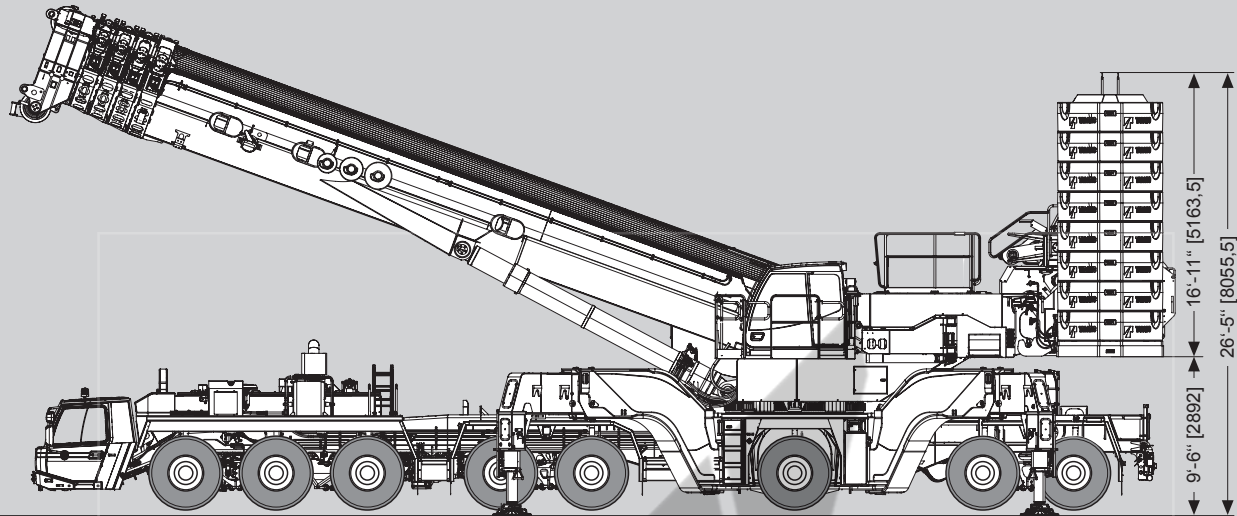
Dimensions (ft, mm) / Dimensiones (ft, mm)

445/95 R 25 (16.00 R 25)	525/80 R 25 (20.50 R 25)	PRELIMINARY	SAE
------------------------------------	------------------------------------	-------------	-----



- 1) 445/95 R 25 (16.00 R 25)
- 2) 525/80 R 25 (20.5 R 25)

 445/95 R 25 (16.00 R 25)	 525/80 R 25 (20.50 R 25)	PRELIMINARY	SAE
--	--	-------------	-----

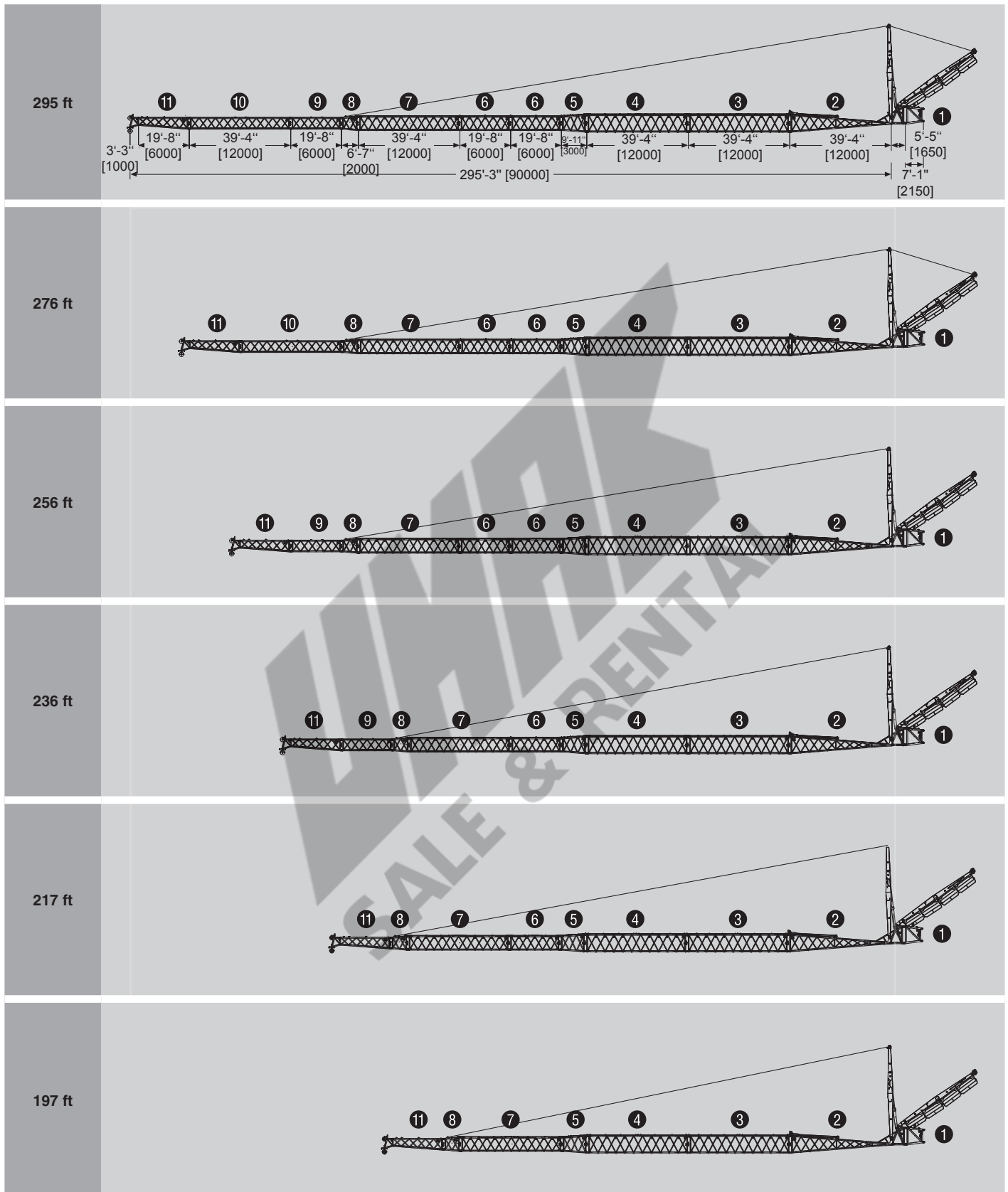


LJ General survey / LJ sistema de vigilancia



PRELIMINARY

SAE



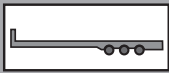


PRELIMINARY

SAE

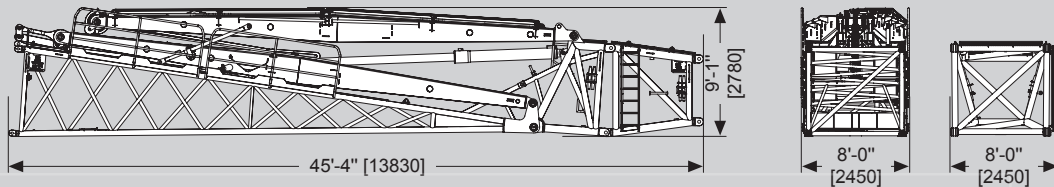
177 ft	
157 ft	
138 ft	
118 ft	
98 ft	
79 ft	

LJ Transport example + dimensions (ft, mm) / LJ Ejemplo de transportes + dimensiones (ft, mm)



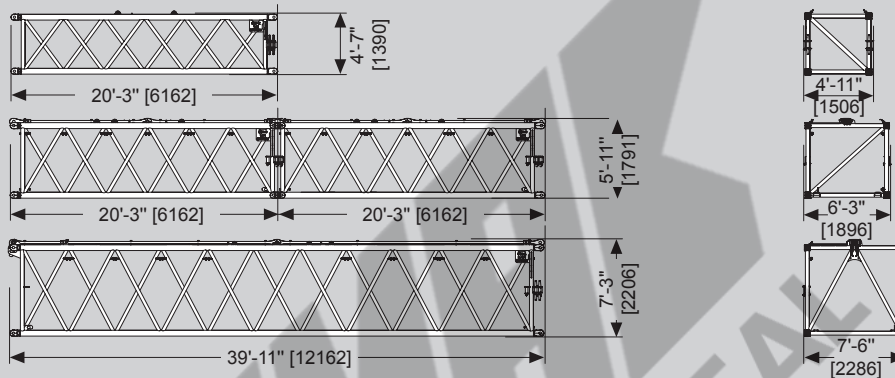
PRELIMINARY

Transport 1



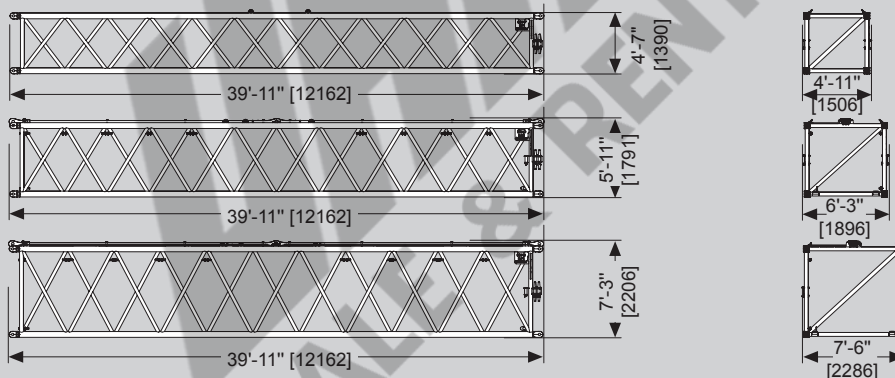
1+2

Transport 2



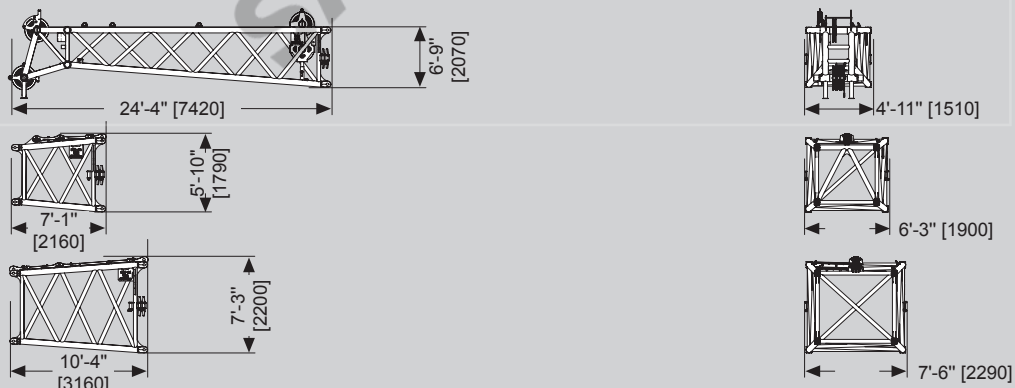
9+2x6+3

Transport 3



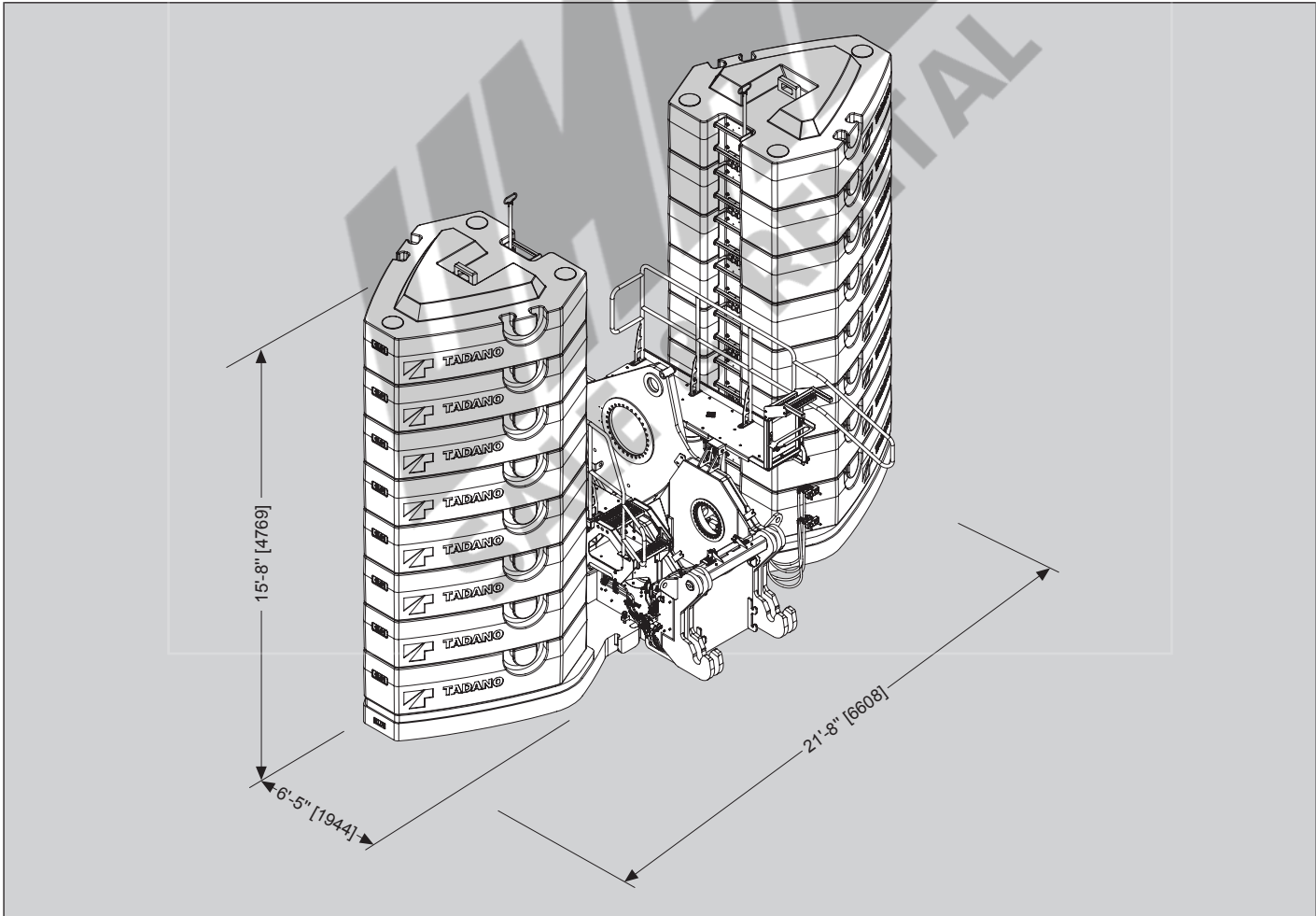
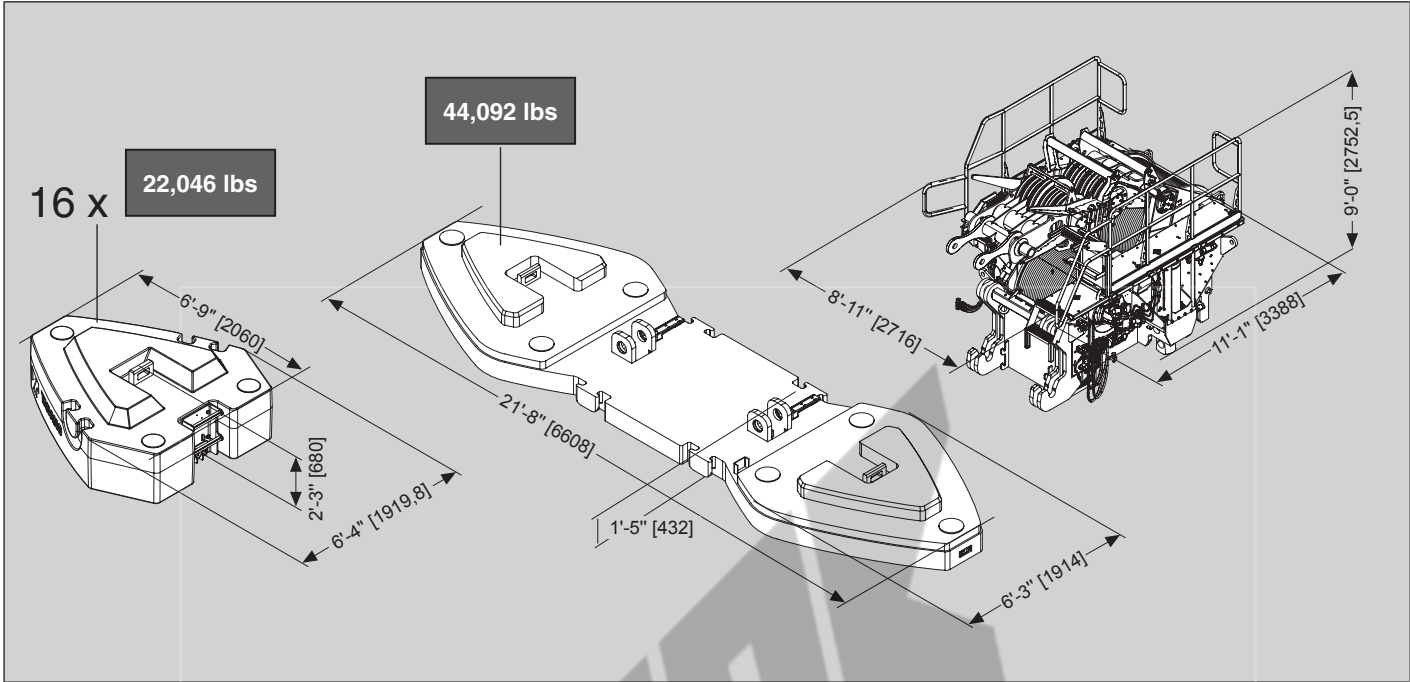
10+7+4

Transport 4

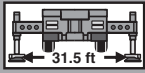
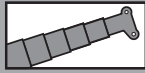


11+8+5

PRELIMINARY



Lifting heights / Alturas de elevación

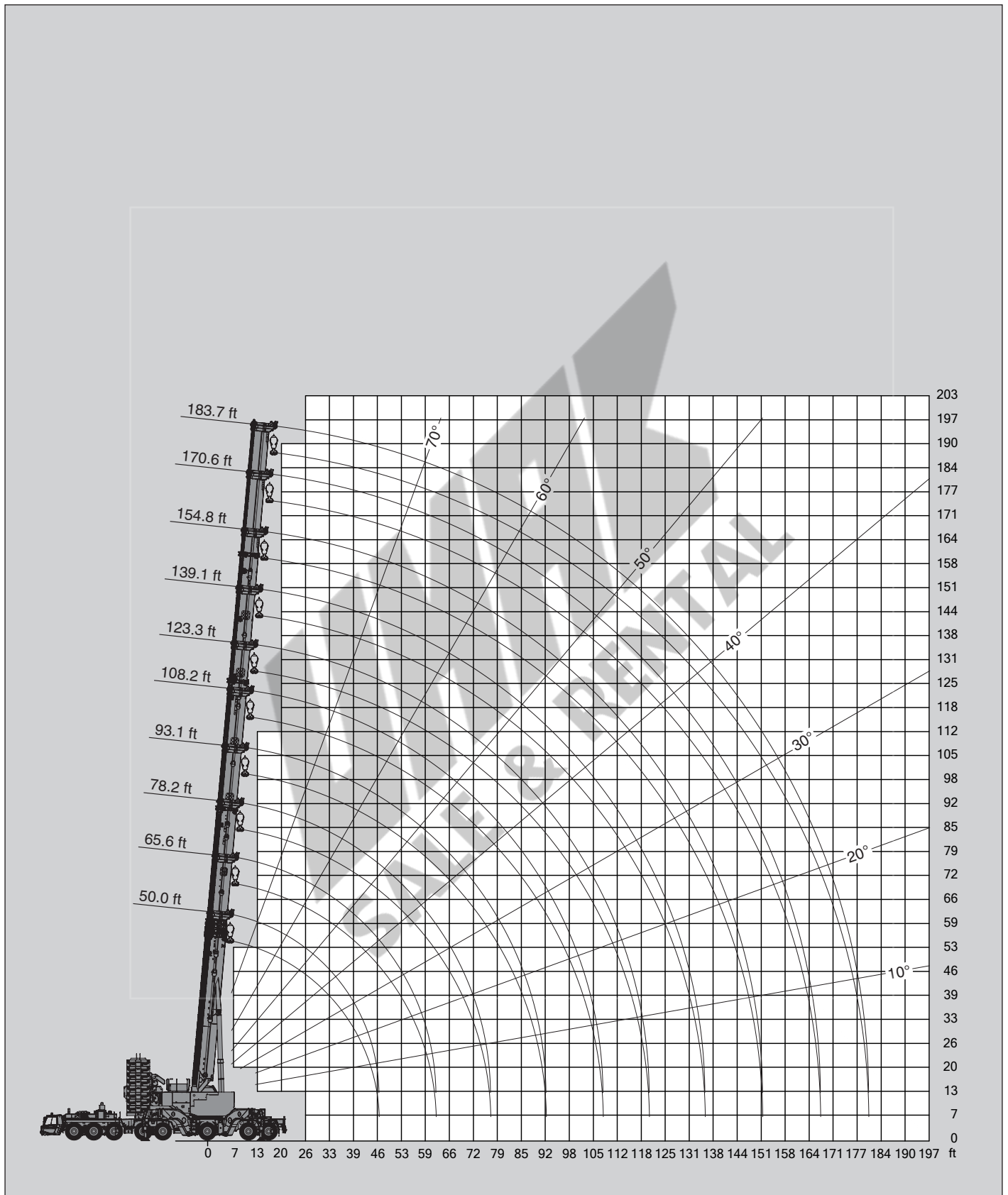


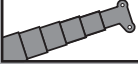
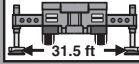

396,800 lbs

PRELIMINARY

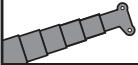
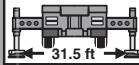

lbs x 1,000

SAE



   396,800 lbs PRELIMINARY lbs x 1,000 SAE											
ft	50.0 ft*	50.0 ft	65.6 ft	78.2 ft	93.1 ft	108.2 ft	123.3 ft	139.1 ft	154.8 ft	170.6 ft	183.7 ft
11.5	1323.00										
12	1240.70	619.40									
14	1043.70	619.40	619.40								
16	970.80	619.40	619.40	616.60							
18	871.90	599.00	586.50	576.10	564.40						
20	774.70	571.30	545.80	528.40	517.00	506.70					
24	629.30	498.10	474.10	457.30	446.40	436.70	430.20				
28	525.50	440.60	419.00	403.00	392.80	383.60	377.50	371.20			
32	450.00	392.90	375.10	360.20	350.60	341.90	336.30	330.70	308.80		
36	391.40	351.00	338.90	325.40	316.60	308.40	303.10	298.10	282.80	257.40	224.70
40	318.80	286.50	308.60	297.10	289.10	281.50	276.70	271.90	261.50	242.30	217.30
48			256.80	251.60	245.90	239.40	235.40	231.20	225.60	210.90	192.20
56			204.30	214.70	212.30	207.50	204.20	200.70	196.90	184.60	171.60
64				181.20	184.80	182.00	179.80	176.80	174.30	163.50	154.60
72				143.50	160.80	160.90	159.80	157.60	155.80	145.60	138.80
80					136.80	142.70	143.30	141.90	140.40	132.00	125.30
88						125.30	128.70	128.50	127.40	119.80	113.40
96						106.90	115.30	116.60	116.60	109.50	103.50
104							102.10	105.70	106.90	100.50	95.30
112							82.30	95.30	98.20	92.80	87.80
120								84.50	89.80	86.00	81.40
128								71.50	81.50	80.10	75.40
136									72.70	74.40	70.10
144									62.20	69.40	65.60
152										63.40	61.40
160											57.40
168											52.70

* with heavy duty equipment / Con equipo adicional carga pesada

   352,700 lbs PRELIMINARY lbs x 1,000 SAE											
ft	50.0 ft	65.6 ft	78.2 ft	93.1 ft	108.2 ft	123.3 ft	139.1 ft	154.8 ft	170.6 ft	183.7 ft	
12	619.40										
14	619.40	619.40									
16	619.40	619.40	616.60								
18	599.00	586.50	576.10	564.40							
20	571.30	545.80	528.40	517.00	506.70						
24	498.10	474.10	457.30	446.40	436.70	430.20					
28	440.60	419.00	403.00	392.80	383.60	377.50	371.20				
32	392.90	375.10	360.20	350.60	341.90	336.30	330.70	308.80			
36	351.00	338.90	325.40	316.60	308.40	303.10	298.10	282.80	257.40	224.70	
40	286.50	308.60	297.10	289.10	281.50	276.70	271.90	261.50	242.30	217.30	
48		256.80	251.60	245.90	239.40	235.40	231.20	225.60	210.90	192.20	
56		204.30	214.70	212.30	207.50	204.20	200.70	196.90	184.60	171.60	
64			181.20	184.80	182.00	179.80	176.80	174.30	163.50	154.60	
72			143.50	160.80	160.90	159.80	157.60	155.80	145.60	138.80	
80				136.80	142.70	143.30	141.90	140.40	132.00	125.30	
88					125.30	128.70	128.50	127.40	119.80	113.40	
96					106.90	114.60	115.70	116.60	109.50	103.50	
104						101.00	102.50	105.20	100.50	95.30	
112						82.30	91.10	93.80	92.80	87.80	
120							81.70	84.30	85.70	81.40	
128							71.00	76.00	78.10	75.40	
136								68.90	70.90	70.10	
144								62.00	64.60	64.40	
152									59.30	59.00	
160										54.20	
168										50.00	

* with heavy duty equipment / Con equipo adicional carga pesada

Lifting capacities / Capacidades de elevación







264,500 lbs
PRELIMINARY


lbs x 1,000

SAE

 ft	50.0 ft	65.6 ft	78.2 ft	93.1 ft	108.2 ft	123.3 ft	139.1 ft	154.8 ft	170.6 ft	183.7 ft
12	619.40									
14	619.40									
16	619.40	619.40								
18	595.40	586.50	616.60							
20	563.90	545.80	528.40	564.40						
24	489.40	474.10	457.30	446.40	506.70					
28	430.00	419.00	403.00	392.80	383.60	430.20				
32	381.70	375.10	360.20	350.60	341.90	336.30	371.20			
36	341.90	338.10	325.40	316.60	308.40	303.10	330.70	308.80		
40	283.60	304.50	296.50	289.10	281.50	276.70	298.10	282.80	257.40	224.70
48		245.60	242.90	243.40	239.00	235.40	271.90	261.50	242.30	217.30
56		199.60	197.00	198.30	199.40	199.30	231.20	225.60	210.90	192.20
64			157.60	159.00	160.10	162.90	196.10	193.50	184.60	171.60
72			128.60	129.50	130.40	133.50	163.70	163.30	161.30	154.60
80				108.60	109.20	112.00	135.50	138.70	139.10	136.60
88					92.80	95.40	114.00	117.00	119.50	119.00
96					79.80	82.10	97.10	100.20	102.50	102.70
104						71.30	83.70	86.80	89.00	89.00
112						58.70	72.90	75.80	78.00	78.00
120							63.90	66.50	68.70	68.70
128							56.60	59.20	61.20	61.10
136							50.50	52.80	54.70	54.60
144								47.20	49.20	49.00
152								42.70	44.30	44.00
160									40.20	39.80
168										36.10
										32.90

* with heavy duty equipment / Con equipo adicional carga pesada






0 lbs
PRELIMINARY

lbs x 1,000

SAE

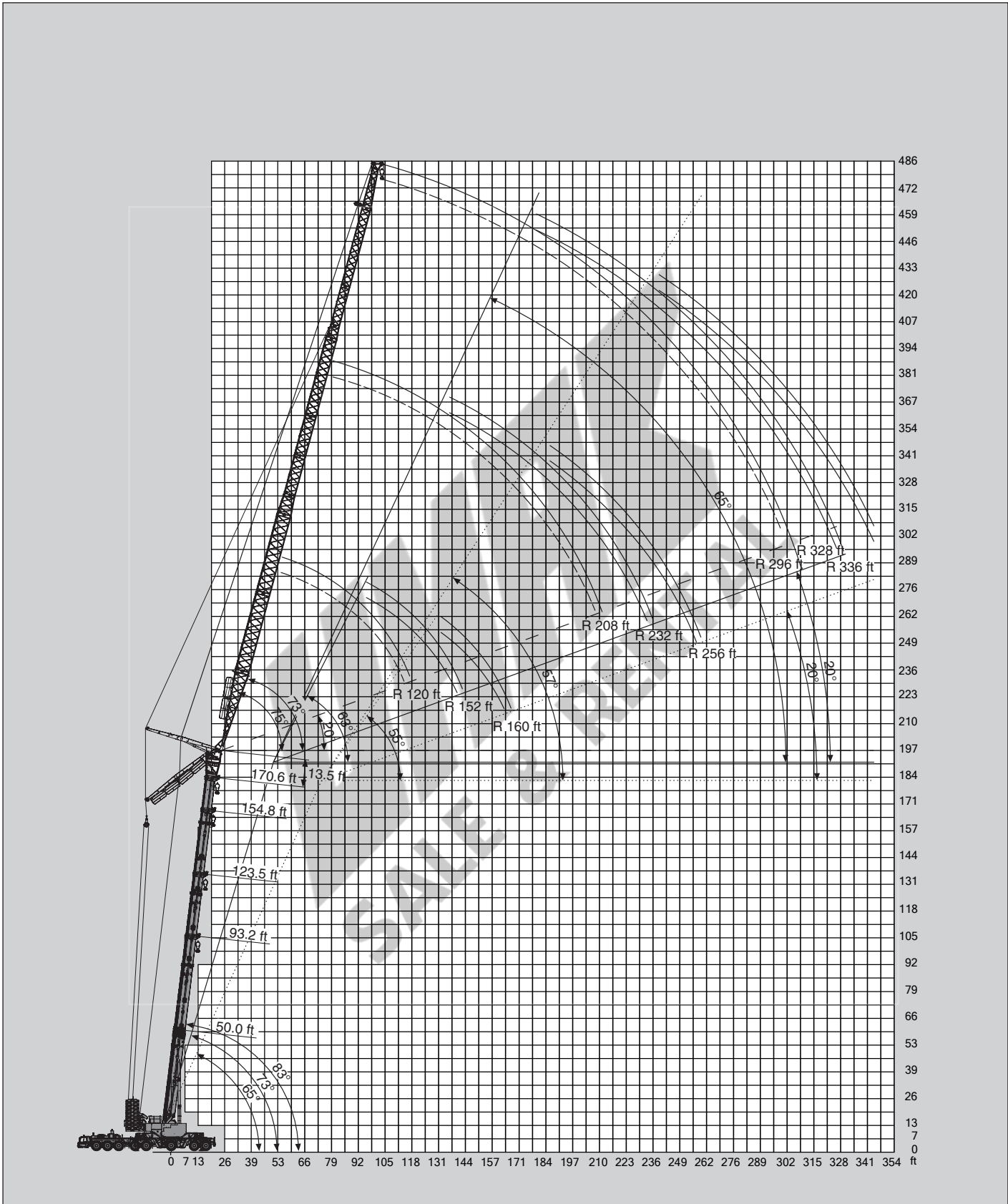
 ft	50.0 ft	65.6 ft	78.2 ft	93.1 ft	108.2 ft	123.3 ft	139.1 ft	154.8 ft	170.6 ft	183.7 ft
12	619.40									
14	595.40	594.00								
16	539.60	509.90	453.40							
18	426.70	375.60	317.30	280.40						
20	308.60	247.00	207.20	185.00	166.40					
24	186.60	154.50	132.90	122.60	113.20	108.20				
28	126.90	105.90	91.50	86.20	81.10	79.20	76.70			
32	91.90	76.10	65.40	62.70	59.70	59.60	58.50	59.20		
36	69.20	56.10	47.50	46.20	44.60	45.40	45.20	46.50	47.20	43.50
40	48.20	42.40	35.10	34.70	33.70	35.10	35.60	37.40	38.30	36.60
48		23.40	18.00	18.40	18.30	20.40	21.40	23.80	25.50	24.30
56					7.90	10.30	11.70	14.40	16.40	15.50
64								7.60	9.70	9.10

* with heavy duty equipment / Con equipo adicional carga pesada



Lifting heights / Alturas de elevación

				396,800 lbs	PRELIMINARY	lbs x 1,000	SAE
--	--	--	--	-------------	-------------	-------------	-----





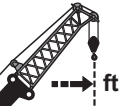



396,800 lbs

PRELIMINARY

lbs x 1,000

SAE

 ft	50.0 ft + 13.5 ft + 98.4 ft			93.2 ft + 13.5 ft + 98.4 ft			123.5 ft + 13.5 ft + 98.4 ft			154.8 ft + 13.5 ft + 98.4 ft			170.6 ft + 13.5 ft + 98.4 ft		
	83°	73°	65°	83°	73°	65°	83°	73°	65°	83°	73°	65°	83°	73°	65°
56	235.20														
64	208.50			207.50											
72	187.60			181.70			178.40			136.10					
80	167.10	160.40		161.70			158.70			128.50			104.90		
88	150.30	144.30		145.30			142.50			121.80			99.70		
96	133.20	130.80	126.30	131.60	119.90		129.00			116.30			95.00		
104		119.30	115.20	120.10	109.70		117.70			111.80			91.00		
112		109.40	105.70		100.70	93.00	107.90	95.60		105.40			87.80		
120			97.40		92.80	85.70		88.20		91.70	84.00		81.60		
128						79.30		81.60			77.70			68.50	
136						73.70		75.70	67.70		72.10			65.60	
144									63.00		67.00	58.10		63.10	
152									58.90			54.20		61.20	51.90
160												50.70			48.50



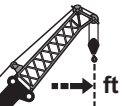



396,800 lbs

PRELIMINARY

lbs x 1,000

SAE

 ft	50.0 ft + 13.5 ft + 196.8 ft			93.2 ft + 13.5 ft + 196.8 ft			123.5 ft + 13.5 ft + 196.8 ft			154.8 ft + 13.5 ft + 196.8 ft			170.6 ft + 13.5 ft + 196.8 ft		
	83°	73°	65°	83°	73°	65°	83°	73°	65°	83°	73°	65°	83°	73°	65°
72	133.80														
80	132.40			109.90											
88	130.90			109.60			91.70								
96	128.90			109.20			91.70								
104	120.20			108.90			91.70			63.40					
112	110.10			106.20			91.70			63.40			51.80		
120	101.50	96.50		97.80			91.50			63.20			51.70		
128	94.00	89.30		90.50			88.40			62.80			51.50		
136	87.40	82.90		84.00			82.00			62.40			51.40		
144	81.30	77.10		78.20	69.80		76.50			61.90			51.10		
152	76.20	72.10	69.00	73.20	65.30		71.40	61.30		59.90			50.90		
160	71.50	67.60	64.60	68.50	61.10		66.90	57.20		58.10			50.80		
168	67.20	63.40	60.70	64.30	57.20		62.80	53.60		56.60	50.00		50.30		
176	63.30	59.80	57.10	60.60	53.80		59.10	50.20		54.90	47.20		49.10	42.70	
184	59.80	56.30	53.60	57.20	50.60	45.30	55.60	47.30		52.50	44.40		47.80	40.90	
192		53.30	50.70	54.00	47.70	42.60	52.70	44.60	38.10	47.20	41.80		46.70	39.20	
200			48.10		45.10	40.30		42.00	35.90	41.50	39.40		45.20	37.70	
208			45.60		42.70	38.00		39.80	33.80	35.60	37.10		42.50	35.70	
216						36.00		37.70	31.80		35.00	28.20		33.80	
224									30.00		33.00	26.50		31.90	24.90
232									28.40		31.30	25.00		30.20	23.30
240												23.50			21.70
248															20.30
256															18.90

Lifting capacities / Capacidades de elevación







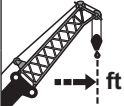


396,800 lbs

PRELIMINARY

lbs x 1,000

SAE


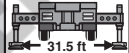

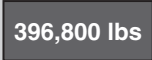
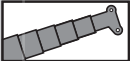



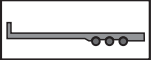
	50.0 ft + 13.5 ft + 295.2 ft			93.2 ft + 13.5 ft + 295.2 ft			123.5 ft + 13.5 ft + 295.2 ft			154.8 ft + 13.5 ft + 295.2 ft			170.6 ft + 13.5 ft + 295.2 ft			
		83°	73°	65°	83°	73°	65°	83°	73°	65°	83°	73°	65°	83°	73°	65°
112	37.80			35.00												
120	37.10			34.40			31.00									
128	36.40			34.00			30.70			24.80						
136	35.80			33.60			30.40			24.60				20.70		
144	35.00			33.00			30.20			24.60				20.70		
152	34.30			32.50			29.90			24.40				20.70		
160	33.70	33.70		32.20			29.60			24.40				20.70		
168	33.20	33.20		31.70			29.40			24.30				20.70		
176	32.50	32.50		31.30			29.10			24.20				20.70		
184	31.90	31.90		30.80	30.40		28.80			24.20				20.70		
192	31.40	31.40		30.30	30.00		28.30			23.90				20.50		
200	30.80	30.80		29.80	29.60		28.10	27.70		23.70				20.40		
208	30.30	30.30		29.40	29.30		27.80	27.50		23.60				20.30		
216	29.60	29.70	29.50	29.00	29.10		27.40	27.40		23.40				20.20		
224	29.00	29.20	29.00	28.50	28.80		27.00	27.30		23.30	22.90			20.20		
232	28.50	28.80	28.60	28.00	28.40		26.80	27.10		23.20	22.90			20.10		
240	27.90	28.40	28.20	27.50	28.00	25.90	26.40	26.70		23.00	22.90			19.90	19.30	
248	27.40	27.80	27.80	27.10	27.80	24.30	26.00	25.90		22.70	22.90			19.80	19.20	
256	26.70	27.40	27.40	26.60	26.70	22.90	25.60	24.50	19.10	22.50	22.00			19.70	18.80	
264	26.10	27.00	26.90	26.10	25.50	21.50	25.30	23.10	17.80	22.40	20.90			19.60	18.30	
272	25.50	26.40	26.10	25.70	24.10	20.30	25.00	21.70	16.70	22.30	19.50			19.60	17.70	
280		25.90	25.00	25.20	22.90	19.10	24.60	20.40	15.70	22.10	18.30	12.70		19.50	17.00	
288		25.40	23.70	24.70	21.70	17.90	24.20	19.20	14.60	22.00	17.20	11.70		19.40	16.30	
296			22.60		20.50	17.00	23.60	18.20	13.60	21.10	16.20	10.80		18.00	15.30	9.40
304						16.00		17.10	12.70		15.20	9.90			14.30	8.60
312						15.10		16.00	11.80		14.40	9.10			13.50	7.70
320									10.80		13.50	8.30			12.60	7.00
328									9.90		12.50	7.70			11.60	6.40
336												7.00				5.70

SALE & RENT

Technical data / Los datos técnica

Lifting capacity Capacidad de elevación	max 660 tons
Telescopic boom Pluma telescópica	50.0 ft - 183.7 ft 15,3 - 56 m
Boom extension LJ Plumin LJ	79 ft - 295.2 ft 24 m - 90 m
Sheave height Altura polea de cabezal	max. 482 ft max. 147 m
Radius Radio	max. 341 ft max. 104 m
Engine Motor	Mercedes Benz, OM 473 LA, 626 HP (460 kW) + Mercedes Benz, OM 936 LA, 354 HP (260 kW)
Transmission Transmisión	ZF TC Tronic (Heavy Duty)
Drive Transmisión	16 x 8 x 16
Speed Velocidad	max. 53 m/ph max. 85 km/h

Symbols / Glosario de simbolos

 445/95 R 25 (16.00 R 25)	Tires / Size Neumáticos / Tamaño de ruedas	 31.5 ft	Outriggers Estabilizadores
 360°	Slewing system Sistema de giro	 396,800 lbs	Counterweight Contrapeso
	Telescopic boom Pluma telescópica	 ft	Radius Radio
 LJ	Boom extension Plumin	 ft	Radius Radio
	Low load trailer Remolque de plataforma baja		

UMAR
SALE & RENTAL



TADANO AMERICA Corporation

4242 West Greens Road, Houston, TX 77066

Phone: 281-869-0030 Fax: 281-869-0040

www.tadanoamerica.com E-mail: tac.sales@tadano.com

Parts Hotline: 281-869-0033 Service Hotline: 281-869-5925