

# CKE700

**Max. Lifting Capacity: 70 t**  
**Max. Boom Length: 54.9 m**  
**Max. Fixed Jib Combination: 42.7 + 18.3 m**

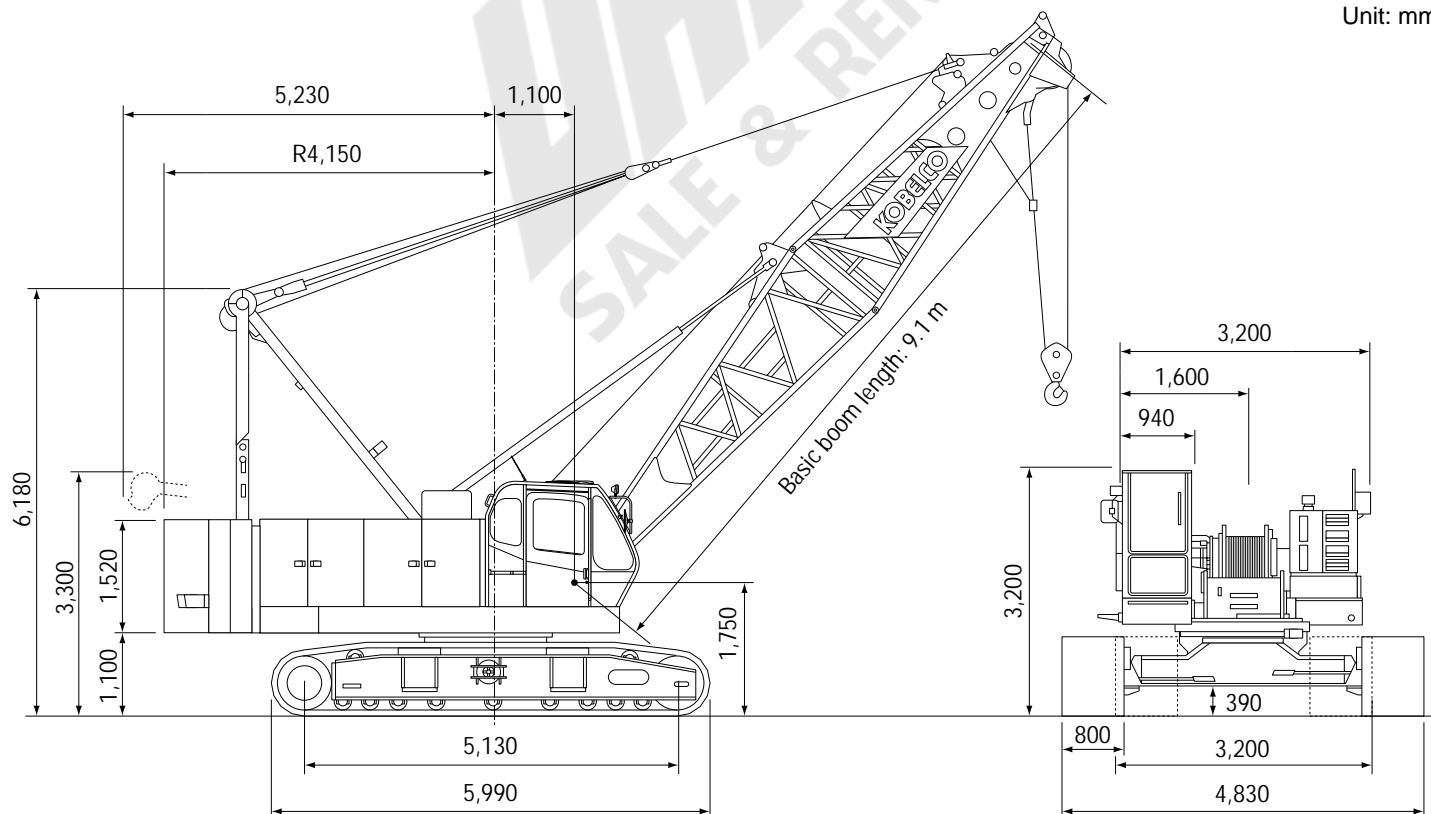
## S P E C I F I C A T I O N S

Main Boom	
Max. Lifting Capacity	70 t x 3.1 m
Max. Length	54.9 m
Fixed Jib	
Max. Lifting Capacity	6.6 t
Max. Combination	42.7 m + 18.3 m, 45.7 m + 12.2 m
Main & Aux. Winch	
Max. Line Speed	120 m/min (1st layer)
Rated Line Pull	78.5 kN (8 tf)
Max. Line Pull (Approx.)	150 kN (15.3 tf)
Wire Rope	22 mm
Wire Rope Length	200 m (Main) 125 m (Aux.)
Brake Type	Wet-type multiple disc brake
Free-Fall	Option

Working Speed	
Swing Speed	4.0 min <sup>-1</sup> (rpm)
Travel Speed	1.9/1.2 km/h
Power Plant	
Model	Mitsubishi 6D16-TLU2K
Engine Output (Gross)	159 kW/2,000 min <sup>-1</sup> (rpm)
Fuel Tank Capacity	400 liters
Hydraulic System	
Main Pumps	3 variable displacement
Max. Pressure	31.9 MPa (325 kgf/cm <sup>2</sup> )
Hydraulic Tank Capacity	450 liters
Self-Erection Device	Standard counterweight removal
Weight	
Operating Weight	Approx. 66.9 t
Counterweight	22.6 t
Transport Weight	41.6 t (Main machine with crawler and lower boom)
Ground Pressure	76 kPa (0.77 kgf/cm <sup>2</sup> )

## GENERAL DIMENSIONS

Unit: mm



# MAIN BOOM LIFTING CAPACITY

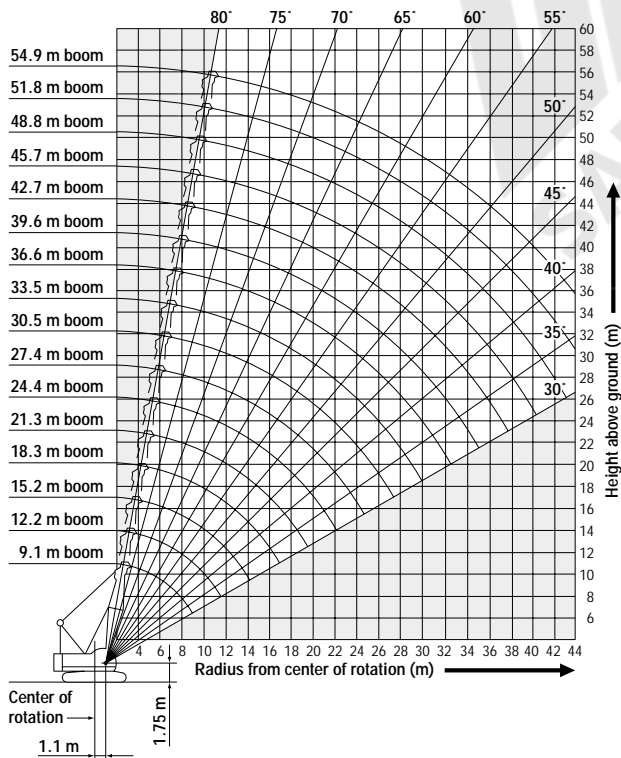
Rated loads in metric tons for 360° working area (Counterweight: 22.5 t)

Crawlers fully extended

Boom length m (ft)	9.1 (30)	12.2 (40)	15.2 (50)	18.3 (60)	21.3 (70)	24.4 (80)	27.4 (90)	30.5 (100)	33.5 (110)	36.6 (120)	39.6 (130)	42.7 (140)	45.7 (150)	48.8 (160)	51.8 (170)	54.9 (180)
3.1	70.0	3.6/65.0														
4.0	65.5	65.0														
4.1	65.0	65.0	4.2/61.8													
4.5	59.1	59.1	56.8	4.7/49.8												
5.0	52.6	51.7	48.6	46.0	5.2/41.7											
5.5	45.1	45.1	43.8	41.5	39.9	5.7/35.6										
6.0	39.4	39.3	38.9	37.1	35.4	33.8	6.3/31.0	6.8/27.3								
7.0	31.1	31.0	30.9	30.8	29.7	28.5	27.5	26.5	7.3/24.4	7.9/21.7						
8.0	24.8	25.6	25.4	25.4	25.3	24.6	23.8	23.0	22.2	21.5	8.4/19.7	8.9/18.0				
9.0	18.9	21.7	21.5	21.5	21.4	21.3	20.9	20.2	19.5	18.9	18.3	17.8	9.4/16.4			
10.0	9.2/17.7	18.8	18.7	18.6	18.5	18.4	18.3	18.0	17.4	16.9	16.3	15.9	15.4	14.9	10.5/13.7	11.0/12.6
12.0		11.9/13.7	14.6	14.5	14.4	14.3	14.2	14.2	14.0	13.8	13.3	13.0	12.6	12.2	11.8	11.5
14.0			12.0	11.9	11.7	11.6	11.5	11.5	11.3	11.3	11.1	10.9	10.5	10.2	9.8	9.6
16.0			14.5/11.0	10.0	9.8	9.7	9.6	9.5	9.4	9.3	9.2	9.2	8.9	8.6	8.3	8.1
18.0				17.1/9.0	8.4	8.3	8.2	8.1	8.0	7.9	7.8	7.7	7.6	7.4	7.1	6.9
20.0					19.8/7.4	7.2	7.1	7.0	6.8	6.8	6.6	6.6	6.5	6.4	6.1	6.0
22.0						6.3	6.2	6.1	6.0	5.9	5.8	5.7	5.6	5.5	5.3	5.2
24.0						22.4/6.2	5.5	5.4	5.2	5.2	5.0	5.0	4.8	4.7	4.6	4.5
26.0							25.1/5.1	4.8	4.6	4.6	4.4	4.4	4.2	4.1	4.0	3.9
28.0								27.7/4.3	4.1	4.1	3.9	3.8	3.7	3.6	3.5	3.3
30.0									3.7	3.6	3.5	3.4	3.3	3.1	3.0	2.9
32.0									30.3/3.6	3.3	3.1	3.0	2.9	2.7	2.6	2.4
34.0										33.0/3.0	2.8	2.7	2.5	2.4	2.2	2.0
36.0											35.6/2.4	2.4	2.2	2.1	1.8	1.7
38.0												2.0	1.9	1.7	1.5	1.4
40.0												38.3/1.9	1.6	1.4	1.2	1.1
42.0													40.9/1.4	1.2		

- Note: 1. Rating according to DIN 15018/3 and prEN 13000.  
 2. Rating shown in   are determined by the strength of the boom or other structural components.  
 3. Instruction in the operator's manual must be strictly observed when operating the machine.

## WORKING RADIUS



## FIXED JIB LIFTING CAPACITY (WITHOUT MAIN HOOK)

Rated loads in metric tons for 360° working area (Jib offset angle: 10°)

Boom length	30.5 m		36.6 m		45.7 m	
	6.1 m	18.3 m	6.1 m	18.3 m	6.1 m	12.2 m
9.0 m	6.6					
10.0 m	6.6		6.6			
12.0 m	6.6	4.5	6.6		6.6	
14.0 m	6.6	4.5	6.6	4.5	6.6	6.6
16.0 m	6.6	4.5	6.6	4.5	6.6	6.6
18.0 m	6.6	4.5	6.6	4.5	6.6	6.6
20.0 m	6.6	4.5	6.6	4.5	6.5	6.6
22.0 m	6.1	4.5	5.9	4.5	5.6	5.8
24.0 m	5.4	4.5	5.1	4.5	4.8	5.1
26.0 m	4.7	4.5	4.5	4.5	4.2	4.4
28.0 m	4.2	4.5	4.0	4.3	3.6	3.9
30.0 m	3.8	4.1	3.5	3.9	3.2	3.4
32.0 m	3.4	3.7	3.1	3.5	2.7	3.0
34.0 m		3.3	2.8	3.1	2.3	2.6
36.0 m		3.0	2.5	2.8	2.0	2.2
38.0 m		2.8	2.2	2.5	1.6	1.9
40.0 m		2.5		2.3	1.4	1.6
42.0 m		2.3		2.0	1.1	1.4
44.0 m		2.1		1.8		1.1

## BOOM ARRANGEMENT CHART

Boom length m (ft)	Boom arrangement
9.1 (30)	Base-Tip
12.2 (40)	Base-A-Tip
15.2 (50)	Base-A-A-Tip, Base-B-Tip
18.3 (60)	Base-A-B-Tip, Base-C-Tip
21.3 (70)	Base-A-A-B-Tip, Base-A-C-Tip, Base-B-B-Tip
24.4 (80)	Base-A-B-B-Tip, Base-B-C-Tip, Base-A-A-C-Tip
27.4 (90)	Base-A-B-C-Tip, Base-C-C-Tip, Base-A-A-B-B-Tip
30.5 (100)	Base-A-A-B-C-Tip, Base-B-B-C-Tip, Base-A-C-C-Tip
33.5 (110)	Base-A-B-B-C-Tip, Base-B-C-C-Tip, Base-A-A-C-C-Tip, Base-A-A-B-B-B-Tip
36.6 (120)	Base-A-B-C-C-Tip, Base-C-C-C-Tip, Base-A-A-B-B-C-Tip
39.6 (130)	Base-A-B-B-B-C-Tip, Base-B-B-C-C-Tip, Base-A-A-B-C-C-Tip, Base-A-C-C-C-Tip
42.7 (140)	Base-A-B-B-C-C-Tip, Base-B-C-C-C-Tip, Base-A-A-C-C-C-Tip, Base-A-A-B-B-B-C-Tip
45.7 (150)	Base-A-B-C-C-C-Tip, Base-A-A-B-B-C-C-Tip
48.8 (160)	Base-B-B-C-C-C-Tip, Base-A-A-B-C-C-C-Tip
51.8 (170)	Base-A-B-B-C-C-C-Tip, Base-A-A-B-B-B-C-C-Tip
54.9 (180)	Base-A-B-B-C-C-A-C-Tip, Base-A-A-B-B-C-C-C-Tip

Base = 5.3 m (17'), Tip = 4.5 m (13')  
 Inserts: A = 3.0 m (10'), B = 6.1 m (20'), C = 9.1 m (30')

## JIB ARRANGEMENT CHART

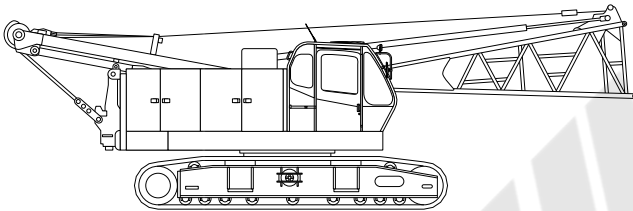
Jib length m (ft)	Jib arrangement
6.1 (20)	Base-Tip
12.2 (40)	Base-B-Tip
18.3 (60)	Base-B-B-Tip

Base = 3.1 m (10'), Tip = 3.4 m (10')  
 Inserts: B = 6.1 m (20')

## SPECIFICATIONS OF PARTS AND ATTACHMENTS

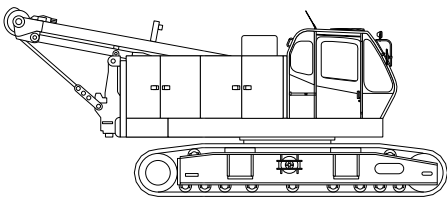
### Base Machine + Boom Base + Crawlers

Weight: 43,880 kg  
 Dimensions: 3,300 mm height x 3,200 mm width x 11,640 mm length



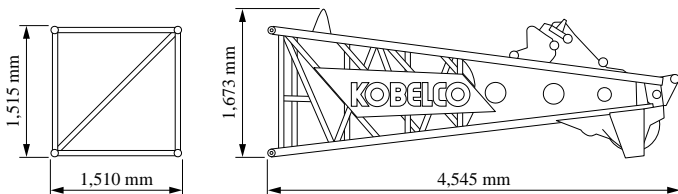
### Base Machine + Crawlers

Weight: 41,770 kg  
 Dimensions: 3,300 mm height x 3,200 mm width x 8,300 mm length



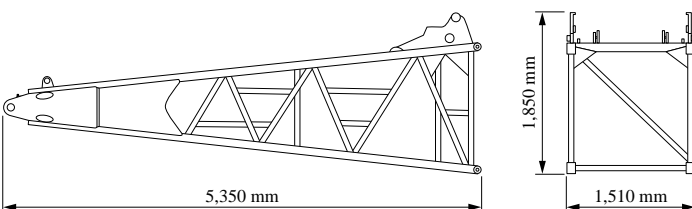
### Boom Tip

Weight: 1,110 kg



### Boom Base

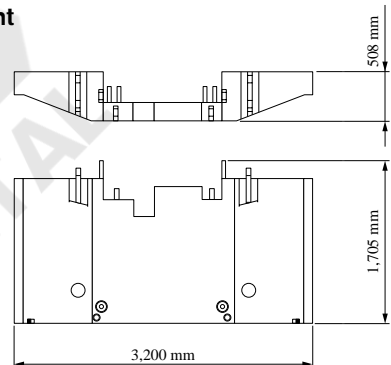
Weight: 1,130 kg



### Counterweight

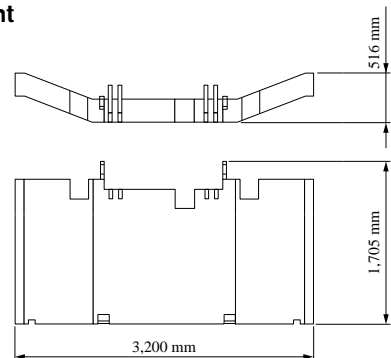
#### No.1 Counterweight

Weight: 8,990 kg



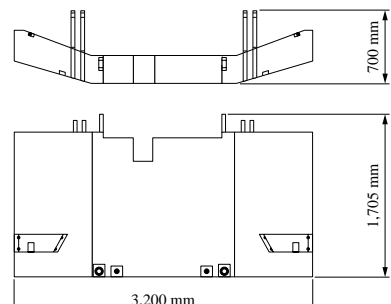
#### No.2 Counterweight

Weight: 7,373 kg



#### No.3 Counterweight

Weight: 6,192 kg



# SPECIFICATIONS OF PARTS AND ATTACHMENTS

## OTHER ATTACHMENT

Attachment	Weight	Dimensions (L x W x H)
3.1 m (10 ft) insert boom	311 kg	3,160 mm x 1,510 mm x 1,515 mm
6.1 m (20 ft) insert boom	522 kg	6,210 mm x 1,510 mm x 1,515 mm
6.1 m (20 ft) insert boom with lug	545 kg	6,210 mm x 1,510 mm x 1,645 mm
9.1 m (30 ft) insert boom	742 kg	9,260 mm x 1,510 mm x 1,515 mm
9.1 m (30 ft) insert boom with lug	765 kg	9,260 mm x 1,510 mm x 1,645 mm
Jib tip	145 kg	3,475 mm x 675 mm x 625 mm
Jib base	125 kg	3,190 mm x 675 mm x 625 mm
6.1 m (20 ft) insert jib	140 kg	6,160 mm x 675 mm x 625 mm
Jib strut	190 kg	3,700 mm x 670 mm x 500 mm
Auxiliary sheave	138 kg	1,010 mm x 1,310 mm
Upper spreader	280 kg	1,580 mm x 300 mm x 680 mm
Lower spreader	170 kg	870 mm x 300 mm x 610 mm
70-ton hook block	800 kg	600 mm x 384 mm x 1,705 mm
32-ton hook block	500 kg	590 mm x 327 mm x 1,530 mm
19-ton hook block	400 kg	590 mm x 385 mm x 1,270 mm
6.6-ton ball hook	160 kg	815 mm x 300 mm dia.

WMAK  
 SALE & RENTAL

**Note:** Due to our policy of continual product improvements all designs and specifications are subject to change without advance notice.



## KOBELCO CRANES CO., LTD.

17-1, Higashigotanda 2-chome, Shinagawa-ku, Tokyo 141-8626 JAPAN

Tel: ++81 (0) 3-5789-2130 Fax: ++81 (0) 3-5789-3372

Bulletin No. CKE700-S401

04031000 Printed in Japan