

# **BAY CRANE**

[www.baycrane.com](http://www.baycrane.com)

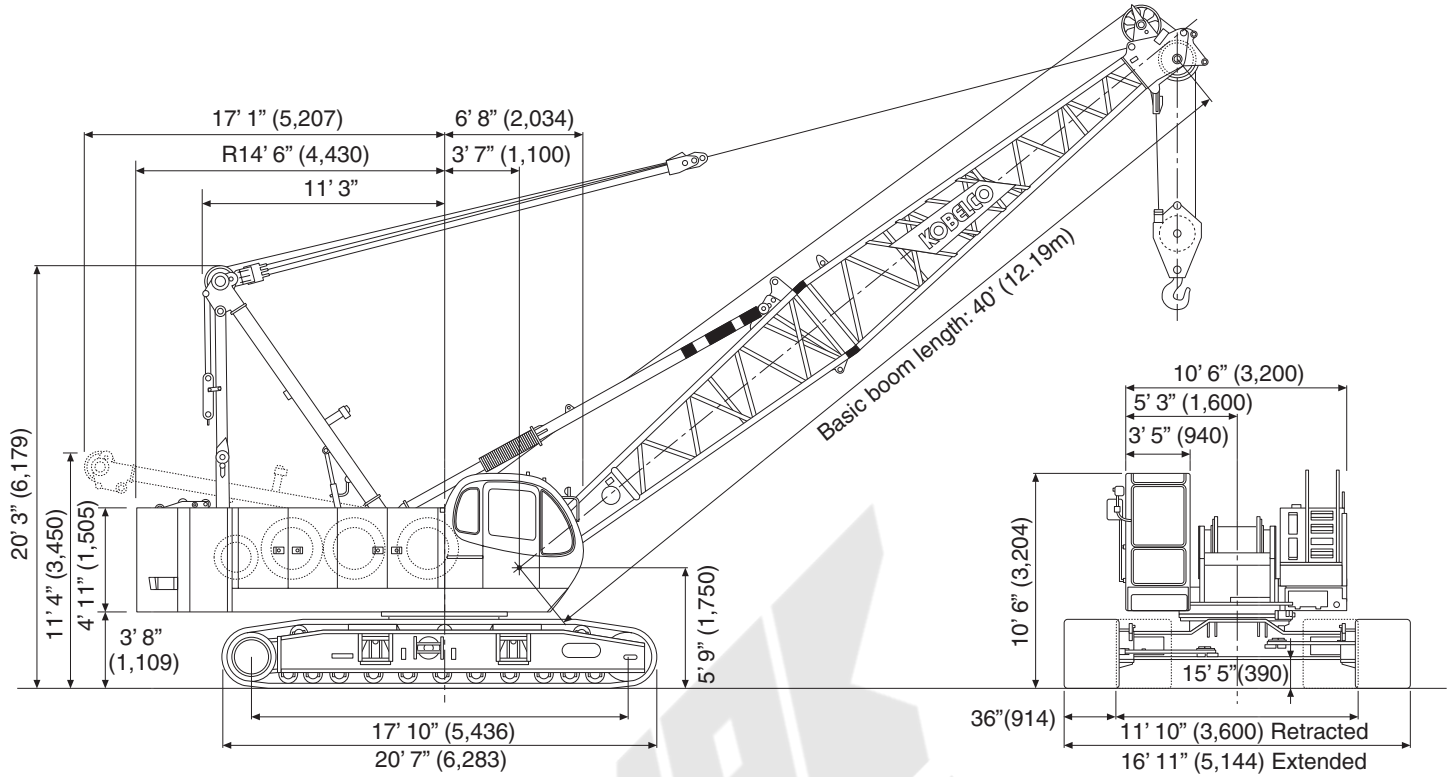
**100 ton**



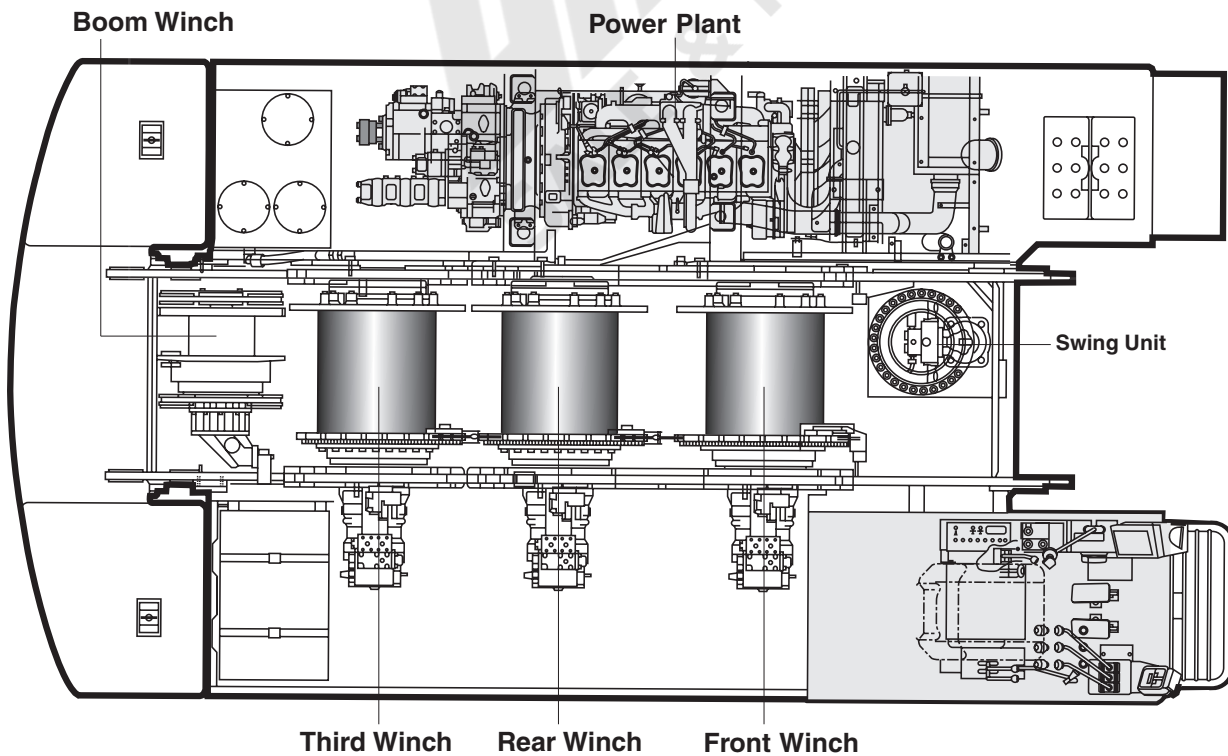
**Kobelco CK1000 Crawler Crane  
Load Charts & Specifications**

# GENERAL DIMENSIONS

Unit: ft-in(mm)



# UPPER MACHINERY LAYOUT



# SPECIFICATIONS

## UPPER MACHINERY



### Power plant

|                                 |  |
|---------------------------------|--|
| <b>Model</b> .....              | Mitsubishi 6D24-TEG  |
| <b>Type</b> .....               | Water-cooled diesel, direct fuel injection with turbocharger |
| <b>No. of cylinder</b> .....    | 6  |
| <b>Bore and stroke</b> .....    | 5.1" x 5.9" (130 mm x 150 mm)                                |
| <b>Displacement</b> .....       | 729 cu in (11.945 liters)                                    |
| <b>Rated power</b> .....        | 265 HP (198 kW) Net at 2,000 rpm (SAE J 1349)                |
| <b>Max. torque</b> .....        | 784 lb•ft (1,059 N•m) Net at 1,400 rpm (SAE J 1349)          |
| <b>Cooling system</b> .....     | Liquid, recirculating bypass                                 |
| <b>Starter</b> .....            | 24 V, 5.5 kW   |
| <b>Alternator</b> .....         | 24 V, 80 AMP   |
| <b>Cycles</b> .....             | 4  |
| <b>Radiator</b> .....           | Corrugated type core, thermostatically controlled            |
| <b>Air cleaner</b> .....        | Dry type with replaceable paper element                      |
| <b>Fuel tank capacity</b> ..... | 105 US gal (400 liters)                                      |
| <b>Batteries</b> .....          | Two 12V, 150 AH capacity batteries, connected in parallel    |



### Hydraulic System

**Pumps:** All three variable displacement piston-type pumps are driven by a heavy-duty pump drive. One of these pumps is used in the right propel circuit and hook hoist circuit, and can accommodate an optional third circuit. Another is used in the left propel circuit, boom hoist circuit and hook hoist circuit. The third variable displacement pump is used in the swing circuit. In addition, two gear pumps are used in the control system and auxiliary equipment. One of these serves the clutch and brakes.

**Control:** Full-flow hydraulic control system for constant variable pressure to front and rear drums, boom hoist brakes and clutches. Controls respond instantly to the touch, delivering smooth function operation.

#### Relief valve pressure:

#### Load hoist, boom hoist

and propel system ..... 4,480 psi (315 kg/cm<sup>2</sup>)

**Swing system** ..... 3,980 psi (280 kg/cm<sup>2</sup>)

**Control system** ..... 1,140 psi (80 kg/cm<sup>2</sup>)

**Reservoir capacity:** 119 US gal (450 liters)

**Cooling:** Oil-to-air heat exchanger (plate-fin type)

**Filtration:** Full-flow and bypass type with replaceable paper element

**Electrical wiring:** All wiring harnesses and connectors are numbered for easier servicing. Machine is equipped with individual fused branch circuits.



### Boom hoisting system

Powered by a hydraulic axial piston motor through a planetary reducer.

**Brake:** A spring-set, hydraulically released multiple-disc brake is internally fitted in the boom hoist motor and operated through a counter-balance valve.

**Drum:** Single drum, grooved for 5/8 in (15.8 mm) dia. wire rope

**Line speed:** Single line on first drum layer

Hoisting.....213 ft/min (65 m/min)

Lowering .....213 ft/min (65 m/min)



### Load Hoist system

Front and rear drums for load hoist powered by hydraulic variable displacement piston-type motors, driven through planetary reducers.

**Brakes & Clutches (compatible):** Forced-circulation oil-cooled wet-type multi-disc brakes, each using positive and negative actuation.

**Drums:** (front and rear): 24.1" (613 mm) P.C.D. x 24.5" (622 mm) wide drums, each grooved for 1" (25.4 mm) wire rope.

#### Wire rope capacity:

Front drum 623 ft (190 m) working length

Rear drum 525 ft (160 m) working length

Optional third drum 623 ft (190 m) working length

Storage length (each drum) 984 ft (300 m)

**Line speed:** Single line on the first drum layer

Hoisting.....328 ft/min (100m/min)

Lowering .....328 ft/min (100m/min)

**Optional third drum:** with the same dimensions as front and rear drums



### Swing system

**Swing unit:** Powered by a hydraulic piston-type motor driving spur gears through planetary reducers, the swing system provides 360° rotation.

**Swing speed**.....3.5 rpm

**Swing brake:** A spring-set, hydraulically released multiple-disc brake is internally fitted in swing motor.

**Swing circle:** Single-row ball bearing with an integral internally cut swing gear.



### Operator's Cab

Totally enclosed, full vision cab fitted with tinted safety glass and a sliding front window. A fully adjustable, high-backed seat with arm rests permits operators to set their ideal working position. Side mounted console for auxiliary controls and instruments. An air conditioner, a signal horn, cigarette lighter, windshield wiper and inspection lamp socket are standard features.



### Controls

In front of operator are the foot pedals for front and rear drum brakes. At operator's right side are the travel (propel) control levers and the function lock lever. To the operator's right front are the boom hoist control lever, main (front) and auxiliary (rear) winch control levers and the free-fall select switches for the main and auxiliary winches. To the operators left front are the swing control lever and third drum control lever (if the machine is so equipped). To the operator's left are the crawler extend/retract lever and the positive swing lock. The left-hand console contains toggle switches for travel (propel) speed, free-fall high/low select, gantry control, crane-clamshell select switch and the anti-two-block/boom over-hoist switches. Directly in front of the console are the drum pawl lock for boom, front, rear and third drum (if so equipped) and the engine ignition key. The swing brake and signal horn are mounted on the swing control lever.

**Gauges:** Fuel gauge, engine water temperature gauge, hour meter and tachometer are located on the monitor display.

**Warning display:** All potential warnings, including battery charge, engine oil pressure, air cleaner, engine oil filter, control main pressure, and hydraulic oil temperature will appear on the monitor display when a fault occurs.

**Safety device:** Function lock lever, anti-two-block, boom over hoist limit switch, boom angle indicator, signal horn, boom hoist drum lock, front and rear drum lock, swing lock, swing alarm (buzzer and lamps), boom backstops, safety latch on hook blocks, and optional load moment indicator

## ATTACHMENT



### Boom:

Welded lattice construction using tubular, high-tensile steel chords with pin connections between sections. Boom tip is open throat construction. Two idler sheaves and three point sheaves are standard.

|                              |                        |
|------------------------------|------------------------|
| <b>Max. lifting capacity</b> | 100 US tons (90,700kg) |
| <b>Basic boom length</b>     | 40 ft (12.19 m)        |
| <b>Max. boom length</b>      | 200 ft (61.0 m)        |



### Gantry

High folding type, fitted with sheave frame for boom hoist reeving. Hydraulic lift is standard. Positions full up and full down.

### Counterweights

Three-piece, vertically arranged, mounted behind the machinery compartment.

Total counterweight ..... 63,000 lbs (28,600kg)

#### Carbody counterweight:

Total weight (Two-pieces)..... 8,800 lbs (4,000 kg)

#### Self-handling devices:

Optional counterweight self-removal device  
Optional crawler frame self-removal device



### Weight

**Operating weight:** Approx. 173,000 lbs (including 40 ft boom and 100 US-ton hook block)

#### Ground pressure:

Average 10.8 psi (0.76 kg/cm<sup>2</sup>) with standard 36" shoes  
Max. gradeability: 40%



### Jib (optional):

Welded lattice construction using tubular, high-tensile steel chords with pin connections between sections.

|  |                                  |
|--|----------------------------------|
| <b>Max. lifting capacity</b>             | 24,000 lbs (10,900 kg)           |
| <b>Max. jib length</b>                   | 60 ft (18.3 m)                   |
| <b>Max. total length of boom and jib</b> | 190 ft (57.9 m) + 60 ft (18.3 m) |

| Jib                   | Weight           |
|-----------------------|------------------|
| <b>Jib tip</b>        | 620 lbs (280 kg) |
| <b>Jib base</b>       | 440 lbs (200 kg) |
| <b>Insert (10 ft)</b> | 220 lbs (100 kg) |
| <b>Insert (20 ft)</b> | 400 lbs (180 kg) |

### Diameter of wire ropes

#### Standard:

Load hoist (front, rear and third) ..... 1 in (25.4 mm)  
Boom hoist (12-part line) ..... 5/8 in (15.8 mm)  
Boom suspension rope (2 sets) ..... 1 3/16 in (30 mm)  
Wire ropes ..... IWRC, 6 x Fi (25) c/o (Front and rear)

#### Optional:

Jib back stay guy line (2 lines)..... 7/8 in (22 mm)

**Boom backstops:** telescopic type with spring bumper

### Line pull

|                         | Rated line pull        | Maximum line pull      |
|-------------------------|------------------------|------------------------|
| <b>Front</b>            | 25,100 lbs (11,400 kg) | 44,100 lbs (20,000 kg) |
| <b>Rear</b>             | 25,100 lbs (11,400 kg) | 44,100 lbs (20,000 kg) |
| <b>Third (optional)</b> | 25,100 lbs (11,400 kg) | 44,100 lbs (20,000 kg) |

## LOWER MACHINERY

**Carbody:** Steel-welded carbody with axles

**Crawler:** Crawler assemblies can be hydraulically extended/retracted. Crawler track tension is maintained by hydraulic jack force on the track-adjusting bearing block.

**Crawler drive:** Independent hydraulic propel drive is built into each side frame, each with a hydraulic motor propelling a drive tumbler through a planetary gear box.

**Crawler brakes:** Spring-set, hydraulically released multiple-disc parking brakes are built into each propel drive.

**Steering mechanism:** A hydraulic travel system provides skid steering (driving one track only) and counter-rotation of tracks (driving tracks in opposite directions) and differential track speed.

**Track rollers:** 11 lower rollers and 3 upper rollers are fitted to each side frame, sealed and maintenance-free.

#### Shoes:

Number ..... 66 per side

#### Shoes (flat):

Shoe width ..... 36" (914 mm)

#### Max. travel speed:

High range ..... 1.1 mph (1.7km/h)

Low range ..... 0.7 mph (1.1km/h)



# NOTES

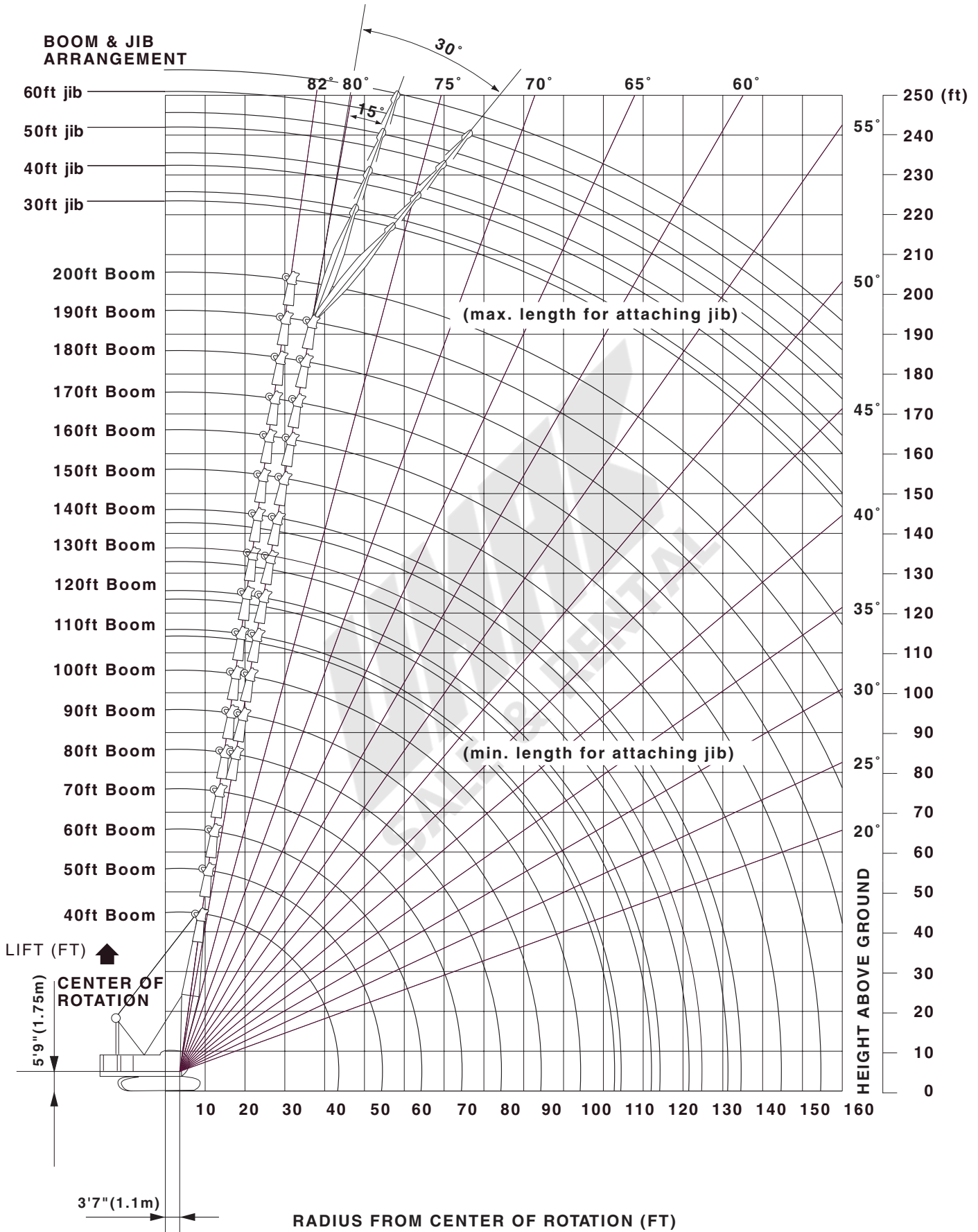
**The following guidelines should be referred to when when interpreting the load rating charts.**

1. Rated loads included in the charts are the maximum allowable freely suspended loads at a given boom length, boom angle and load radius, and have been determined for the machine standing on level and firm supporting surface under ideal operating conditions. The user must limit or de-rate rated loads to allow for adverse conditions (such as soft or uneven grounds, out-of-level conditions, wind, side loads, pendulum action, jerking or sudden stopping of loads, inexperience of personnel, multiple machine lifts, and traveling with a load).
2. Capacities do not exceed 75% of minimum tipping loads. Capacities based on factors other than machine stability such as structural competence are shown by asterisk \* in the charts.
3. The machine must be reeved and set-up as stated in the operator's manual and all the instruction manuals. If these manuals are missing, obtain replacements. Boom backstops are required for all boom lengths. Gantry must be in the fully raised position for all operations. Crawlers must be fully extended and be locked in position. The crane must be leveled to within 1% on a firm supporting surface.
4. Do not attempt to lift where no radius on load is listed as crane may tip or collapse.
5. Attempting to lift more than rated loads may cause machine to tip or collapse. Do not tip machine to determine capacity.
6. Weight of hooks, hook blocks, slings and other lifting devices are part of the total load. Their total weight must be subtracted from the rated load to obtain the weight that can be lifted.
7. When lifting over boom point with jib or auxiliary sheave, rated loads for the boom must be deducted as shown below.

| Jib length   | Aux. Sheave | 30 ft | 40 ft | 50 ft | 60 ft |
|--------------|-------------|-------|-------|-------|-------|
| Deduct (lbs) | 420         | 2,400 | 3,200 | 4,200 | 5,200 |

8. The total load that can be lifted with the jib is limited by rated jib loads. The total load that can be lifted with the auxiliary sheave is limited by rated auxiliary sheave loads.
9. Boom lengths for jib mounting are from 80 ft (24.4 m) to 190 ft (57.9 m).
10. An auxiliary sheave cannot be used on a 200 ft (61.0 m) boom length.
11. The boom should be erected over the front of the crawlers, not laterally.
12. Least stable position is over the side.
13. Lifting capacities listed apply only to the machine as originally manufactured and designed by KOBELCO CONSTRUCTION MACHINERY CO., LTD. Modifications to this machine or use of equipment other than that specified can reduce operating capacity.
14. Designed and rated to comply with ANSI Code B30.5.

# WORKING RANGES (with fixed jib)

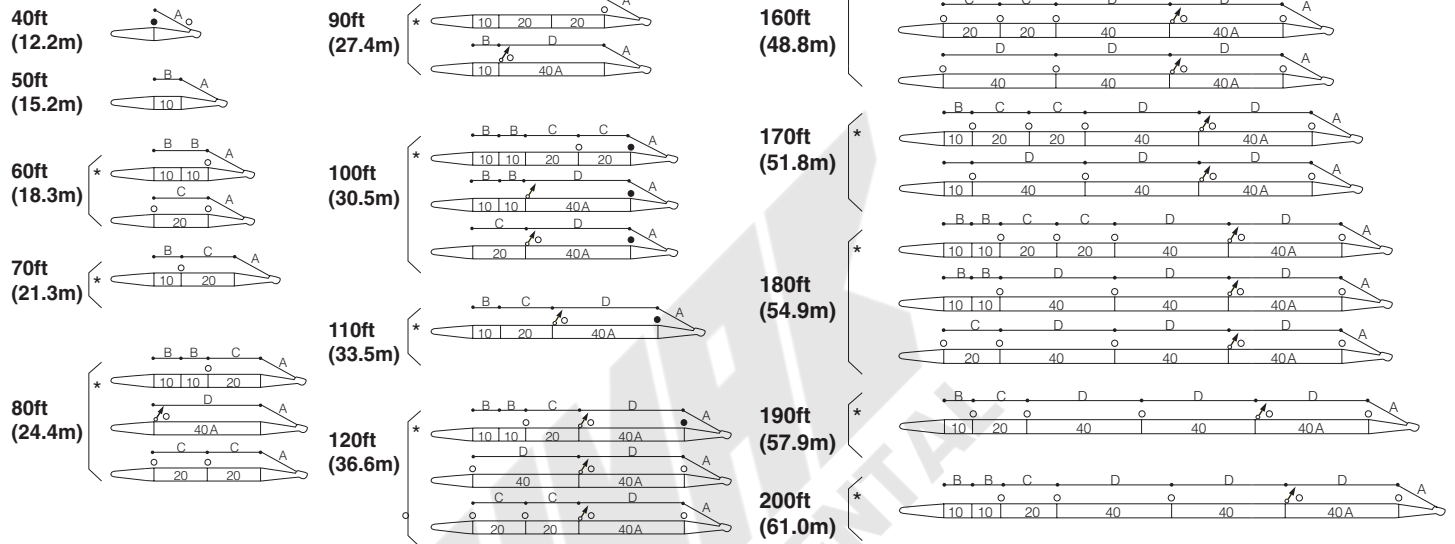


# BOOM AND GUY LINE ARRANGEMENT

| Symbol | Dimensions of Guy Line |                  |
|--------|------------------------|------------------|
|        | Diameter in (mm)       | Length ft-in (m) |
| A      | 13/16 (30)             | 20-3 (6.17)      |
| B      | 13/16 (30)             | 10-0 (3.05)      |
| C      | 13/16 (30)             | 20-0 (6.10)      |
| D      | 13/16 (30)             | 40-0 (12.20)     |

For most efficient use of this machine, boom and guy line arrangement must be correctly observed as shown in this figure.

- 📍 Location of jib backstay lug
- Location of cable roller on boom tip
- Location of cable roller on boom insert

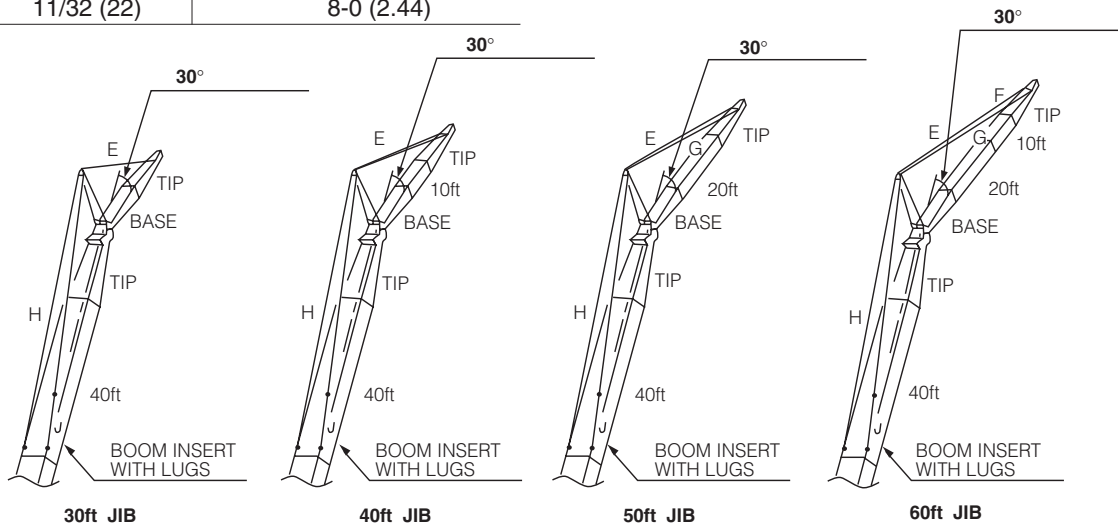


\* Manufacturer's recommended boom arrangement makes shorter boom arrangements possible.

# JIB AND GUY LINE ARRANGEMENT

| Symbol | Dimensions of Guy Line |                  |
|--------|------------------------|------------------|
|        | Diameter in (mm)       | Length ft-in (m) |
| E      | 11/32 (22)             | 63-5 (19.34)     |
| F      | 11/32 (22)             | 19-3 (5.88)      |
| G      | 11/32 (22)             | 38-7 (11.75)     |
| H      | 11/32 (22)             | 123-2 (37.54)    |
| J      | 11/32 (22)             | 8-0 (2.44)       |

- This figure shows the arrangement when the jib offset angle is 30 degrees.
- When setting the offset angle to 10 degrees, deduct the additional guy line J from the boom side guy line H.
- For jib use with 80-100 ft of main boom, you must use the 40 ft boom insert that has lugs.
- Jib use is from 80-190 ft of main boom only.



# CK1000 Lifting Capacity

## LIFT CRANE SERVICE

Refer to notes page 4.

3 Counterweights, 2 Carbody weights, Crawler Fully Extended

| Boom Length (ft) | Load Radius (ft) | Boom Angle (degree) | Boom Point Elev. (ft) | 360° Rated Load (lbs) | Boom Length (ft) | Load Radius (ft) | Boom Angle (degree) | Boom Point Elev. (ft) | 360° Rated Load (lbs) |
|------------------|------------------|---------------------|-----------------------|-----------------------|------------------|------------------|---------------------|-----------------------|-----------------------|
| <b>40</b>        | <b>10.0</b>      | <b>81.9</b>         | <b>45.3</b>           | <b>*200,000</b>       | <b>50</b>        | <b>12.0</b>      | <b>81.2</b>         | <b>55.1</b>           | <b>*185,180</b>       |
|                  | 11.0             | 80.5                | 45.2                  | *200,000              |                  | 13.0             | 80.1                | 55.0                  | *171,950              |
|                  | <b>12.0</b>      | <b>79.0</b>         | <b>45.0</b>           | <b>*185,400</b>       |                  | <b>14.0</b>      | <b>78.9</b>         | <b>54.8</b>           | <b>*160,050</b>       |
|                  | 13.0             | 77.5                | 44.8                  | *172,170              |                  | 15.0             | 77.7                | 54.6                  | *150,130              |
|                  | <b>14.0</b>      | <b>76.1</b>         | <b>44.6</b>           | <b>*160,270</b>       |                  | <b>16.0</b>      | <b>76.5</b>         | <b>54.4</b>           | <b>*140,870</b>       |
|                  | 15.0             | 74.6                | 44.3                  | *150,350              |                  | 17.0             | 75.4                | 54.1                  | *133,150              |
|                  | <b>16.0</b>      | <b>73.1</b>         | <b>44.0</b>           | <b>*141,090</b>       |                  | <b>18.0</b>      | <b>74.2</b>         | <b>53.8</b>           | <b>*125,880</b>       |
|                  | 17.0             | 71.5                | 43.7                  | *133,370              |                  | 19.0             | 73.0                | 53.5                  | *119,040              |
|                  | <b>18.0</b>      | <b>70.0</b>         | <b>43.3</b>           | <b>*126,100</b>       |                  | <b>20.0</b>      | <b>71.7</b>         | <b>53.2</b>           | <b>*111,330</b>       |
|                  | 19.0             | 68.5                | 42.9                  | *119,040              |                  | 22.0             | 69.3                | 52.5                  | *98,760               |
|                  | <b>20.0</b>      | <b>66.9</b>         | <b>42.5</b>           | <b>*111,110</b>       |                  | <b>24.0</b>      | <b>66.8</b>         | <b>51.7</b>           | <b>87,520</b>         |
|                  | 22.0             | 63.7                | 41.6                  | *97,440               |                  | 26.0             | 64.3                | 50.8                  | 77,820                |
|                  | <b>24.0</b>      | <b>60.5</b>         | <b>40.5</b>           | <b>*86,420</b>        |                  | <b>28.0</b>      | <b>61.7</b>         | <b>49.8</b>           | <b>70,100</b>         |
|                  | 26.0             | 57.1                | 39.3                  | *76,940               |                  | 30.0             | 59.0                | 48.6                  | 63,710                |
|                  | <b>28.0</b>      | <b>53.5</b>         | <b>37.9</b>           | <b>*69,000</b>        |                  | <b>32.0</b>      | <b>56.3</b>         | <b>47.3</b>           | <b>58,420</b>         |
|                  | 30.0             | 49.8                | 36.3                  | *62,160               |                  | 34.0             | 53.5                | 45.9                  | 53,790                |
|                  | <b>32.0</b>      | <b>45.9</b>         | <b>34.5</b>           | <b>*55,990</b>        |                  | <b>36.0</b>      | <b>50.5</b>         | <b>44.3</b>           | <b>50,040</b>         |
| 34.0             | 41.7             | 32.3                | *50,260               | 38.0                  | 47.4             | 42.5             | 46,510              |                       |                       |
| <b>36.0</b>      | <b>37.0</b>      | <b>29.8</b>         | <b>*45,190</b>        | <b>40.0</b>           | <b>44.2</b>      | <b>40.6</b>      | <b>43,430</b>       |                       |                       |
| 38.0             | 31.8             | 26.8                | *40,120               | 45.0                  | 35.0             | 34.4             | *35,270             |                       |                       |
| <b>40.0</b>      | <b>25.7</b>      | <b>23.1</b>         | <b>*35,270</b>        | <b>50.0</b>           | <b>22.8</b>      | <b>25.1</b>      | <b>*27,110</b>      |                       |                       |
| <b>60</b>        | <b>13.0</b>      | <b>81.7</b>         | <b>65.1</b>           | <b>*171,730</b>       | <b>70</b>        | <b>15.0</b>      | <b>81.3</b>         | <b>74.9</b>           | <b>*149,690</b>       |
|                  | 14.0             | 80.8                | 65.0                  | *159,830              |                  | 16.0             | 80.4                | 74.8                  | *140,430              |
|                  | <b>15.0</b>      | <b>79.8</b>         | <b>64.8</b>           | <b>*149,910</b>       |                  | <b>17.0</b>      | <b>79.6</b>         | <b>74.6</b>           | <b>*131,830</b>       |
|                  | 16.0             | 78.8                | 64.6                  | *140,650              |                  | 18.0             | 78.8                | 74.4                  | *122,570              |
|                  | <b>17.0</b>      | <b>77.8</b>         | <b>64.4</b>           | <b>*132,930</b>       |                  | <b>19.0</b>      | <b>77.9</b>         | <b>74.2</b>           | <b>*114,630</b>       |
|                  | 18.0             | 76.9                | 64.2                  | *124,330              |                  | 20.0             | 77.1                | 74.0                  | *107,580              |
|                  | <b>19.0</b>      | <b>75.9</b>         | <b>63.9</b>           | <b>*116,180</b>       |                  | <b>22.0</b>      | <b>75.4</b>         | <b>73.5</b>           | <b>*95,900</b>        |
|                  | 20.0             | 74.9                | 63.7                  | *109,120              |                  | 24.0             | 73.7                | 72.9                  | *86,420               |
|                  | <b>22.0</b>      | <b>72.9</b>         | <b>63.1</b>           | <b>*97,000</b>        |                  | <b>26.0</b>      | <b>72.0</b>         | <b>72.3</b>           | <b>77,600</b>         |
|                  | 24.0             | 70.9                | 62.4                  | *87,300               |                  | 28.0             | 70.2                | 71.6                  | 69,880                |
|                  | <b>26.0</b>      | <b>68.8</b>         | <b>61.7</b>           | <b>77,600</b>         |                  | <b>30.0</b>      | <b>68.5</b>         | <b>70.9</b>           | <b>63,490</b>         |
|                  | 28.0             | 66.8                | 60.9                  | 69,880                |                  | 32.0             | 66.7                | 70.0                  | 57,980                |
|                  | <b>30.0</b>      | <b>64.6</b>         | <b>59.9</b>           | <b>63,490</b>         |                  | <b>34.0</b>      | <b>64.9</b>         | <b>69.1</b>           | <b>53,350</b>         |
|                  | 32.0             | 62.5                | 58.9                  | 58,200                |                  | 36.0             | 63.1                | 68.1                  | 49,600                |
|                  | <b>34.0</b>      | <b>60.3</b>         | <b>57.8</b>           | <b>53,570</b>         |                  | <b>38.0</b>      | <b>61.2</b>         | <b>67.1</b>           | <b>46,070</b>         |
|                  | 36.0             | 58.1                | 56.7                  | 49,600                |                  | 40.0             | 59.3                | 65.9                  | 42,980                |
|                  | <b>38.0</b>      | <b>55.8</b>         | <b>55.3</b>           | <b>46,070</b>         |                  | <b>45.0</b>      | <b>54.4</b>         | <b>62.6</b>           | <b>37,030</b>         |
| 40.0             | 53.4             | 53.9                | 43,210                | 50.0                  | 49.1             | 58.6             | 32,180              |                       |                       |
| <b>45.0</b>      | <b>47.1</b>      | <b>49.7</b>         | <b>37,030</b>         | <b>55.0</b>           | <b>43.4</b>      | <b>53.8</b>      | <b>28,650</b>       |                       |                       |
| 50.0             | 40.1             | 44.4                | 32,400                | 60.0                  | 37.0             | 47.9             | 25,570              |                       |                       |
| <b>55.0</b>      | <b>31.8</b>      | <b>37.3</b>         | <b>*27,330</b>        | <b>65.0</b>           | <b>29.4</b>      | <b>40.1</b>      | <b>*22,040</b>      |                       |                       |
| 60.0             | 20.7             | 26.9                | *21,600               |                       |                  |                  |                     |                       |                       |
| <b>80</b>        | <b>16.0</b>      | <b>81.6</b>         | <b>84.9</b>           | <b>*138,660</b>       | <b>80</b>        | <b>34.0</b>      | <b>68.2</b>         | <b>80.0</b>           | <b>53,130</b>         |
|                  | 17.0             | 80.9                | 84.7                  | *128,300              |                  | 36.0             | 66.7                | 79.2                  | 49,160                |
|                  | <b>18.0</b>      | <b>80.2</b>         | <b>84.6</b>           | <b>*119,260</b>       |                  | <b>38.0</b>      | <b>65.1</b>         | <b>78.3</b>           | <b>45,850</b>         |
|                  | 19.0             | 79.5                | 84.4                  | *111,550              |                  | 40.0             | 63.5                | 77.3                  | 42,760                |
|                  | <b>20.0</b>      | <b>78.7</b>         | <b>84.2</b>           | <b>*104,710</b>       |                  | <b>45.0</b>      | <b>59.4</b>         | <b>74.6</b>           | <b>36,590</b>         |
|                  | 22.0             | 77.3                | 83.8                  | *93,250               |                  | 50.0             | 55.1                | 71.3                  | 31,960                |
|                  | <b>24.0</b>      | <b>75.8</b>         | <b>83.3</b>           | <b>*84,210</b>        |                  | <b>55.0</b>      | <b>50.6</b>         | <b>67.5</b>           | <b>28,210</b>         |
|                  | 26.0             | 74.3                | 82.7                  | *76,720               |                  | 60.0             | 45.7                | 63.0                  | 25,130                |
|                  | <b>28.0</b>      | <b>72.8</b>         | <b>82.1</b>           | <b>69,440</b>         |                  | <b>65.0</b>      | <b>40.4</b>         | <b>57.6</b>           | <b>22,700</b>         |
|                  | 30.0             | 71.3                | 81.5                  | 63,050                |                  | 70.0             | 34.5                | 51.0                  | 20,720                |
| <b>32.0</b>      | <b>69.8</b>      | <b>80.8</b>         | <b>57,760</b>         | <b>75.0</b>           | <b>27.4</b>      | <b>42.5</b>      | <b>*17,850</b>      |                       |                       |



# CK1000 Lifting Capacity

## LIFT CRANE SERVICE

Refer to notes page 4.

3 Counterweights, 2 Carbody weights, Crawler Fully Extended

| Boom Length (ft) | Load Radius (ft) | Boom Angle (degree) | Boom Point Elev. (ft) | 360° Rated Load (lbs) | Boom Length (ft) | Load Radius (ft) | Boom Angle (degree) | Boom Point Elev. (ft) | 360° Rated Load (lbs) |
|------------------|------------------|---------------------|-----------------------|-----------------------|------------------|------------------|---------------------|-----------------------|-----------------------|
| <b>90</b>        | <b>17.0</b>      | <b>81.9</b>         | <b>94.8</b>           | <b>*125,660</b>       | <b>100</b>       | <b>19.0</b>      | <b>81.6</b>         | <b>104.7</b>          | <b>*107,360</b>       |
|                  | 18.0             | 81.3                | 94.7                  | *117,720              |                  | 20.0             | 81.0                | 104.5                 | *100,750              |
|                  | <b>19.0</b>      | <b>80.6</b>         | <b>94.5</b>           | <b>*109,780</b>       |                  | <b>22.0</b>      | <b>79.8</b>         | <b>104.1</b>          | <b>*89,500</b>        |
|                  | 20.0             | 80.0                | 94.4                  | *103,170              |                  | 24.0             | 78.7                | 103.8                 | *80,680               |
|                  | <b>22.0</b>      | <b>78.7</b>         | <b>94.0</b>           | <b>*91,710</b>        |                  | <b>26.0</b>      | <b>77.5</b>         | <b>103.4</b>          | <b>*73,410</b>        |
|                  | 24.0             | 77.4                | 93.6                  | *82,670               |                  | 28.0             | 76.3                | 102.9                 | *67,460               |
|                  | <b>26.0</b>      | <b>76.1</b>         | <b>93.1</b>           | <b>*75,390</b>        |                  | <b>30.0</b>      | <b>75.1</b>         | <b>102.4</b>          | <b>*62,390</b>        |
|                  | 28.0             | 74.8                | 92.6                  | *69,220               |                  | 32.0             | 73.9                | 101.8                 | 57,310                |
|                  | <b>30.0</b>      | <b>73.4</b>         | <b>92.0</b>           | <b>63,050</b>         |                  | <b>34.0</b>      | <b>72.7</b>         | <b>101.2</b>          | <b>52,680</b>         |
|                  | 32.0             | 72.1                | 91.4                  | 57,540                |                  | 36.0             | 71.5                | 100.6                 | 48,720                |
|                  | <b>34.0</b>      | <b>70.8</b>         | <b>90.7</b>           | <b>52,910</b>         |                  | <b>38.0</b>      | <b>70.3</b>         | <b>99.9</b>           | <b>45,410</b>         |
|                  | 36.0             | 69.4                | 90.0                  | 49,160                |                  | 40.0             | 69.1                | 99.1                  | 42,320                |
|                  | <b>38.0</b>      | <b>68.0</b>         | <b>89.2</b>           | <b>45,630</b>         |                  | <b>45.0</b>      | <b>66.0</b>         | <b>97.1</b>           | <b>36,150</b>         |
|                  | 40.0             | 66.6                | 88.3                  | 42,540                |                  | 50.0             | 62.8                | 94.7                  | 31,520                |
|                  | <b>45.0</b>      | <b>63.1</b>         | <b>86.0</b>           | <b>36,370</b>         |                  | <b>55.0</b>      | <b>59.5</b>         | <b>91.9</b>           | <b>27,770</b>         |
|                  | 50.0             | 59.5                | 83.3                  | 31,740                |                  | 60.0             | 56.1                | 88.7                  | 24,690                |
|                  | <b>55.0</b>      | <b>55.7</b>         | <b>80.1</b>           | <b>27,990</b>         |                  | <b>65.0</b>      | <b>52.6</b>         | <b>85.2</b>           | <b>22,260</b>         |
|                  | 60.0             | 51.7                | 76.3                  | 25,130                |                  | 70.0             | 48.8                | 81.0                  | 20,060                |
|                  | <b>65.0</b>      | <b>47.5</b>         | <b>72.1</b>           | <b>22,480</b>         |                  | <b>75.0</b>      | <b>44.9</b>         | <b>76.3</b>           | <b>18,290</b>         |
|                  | 70.0             | 43.0                | 67.1                  | 20,500                |                  | 80.0             | 40.6                | 70.8                  | 16,750                |
| <b>75.0</b>      | <b>38.0</b>      | <b>61.1</b>         | <b>18,730</b>         | <b>85.0</b>           | <b>36.0</b>      | <b>64.5</b>      | <b>15,430</b>       |                       |                       |
| 80.0             | 32.4             | 53.9                | *17,190               | 90.0                  | 30.7             | 56.8             | *14,320             |                       |                       |
| <b>85.0</b>      | <b>25.8</b>      | <b>44.9</b>         | <b>*14,770</b>        | <b>95.0</b>           | <b>24.4</b>      | <b>47.0</b>      | <b>*12,340</b>      |                       |                       |
| <b>110</b>       | <b>20.0</b>      | <b>81.8</b>         | <b>114.6</b>          | <b>*100,300</b>       | <b>120</b>       | <b>22.0</b>      | <b>81.6</b>         | <b>124.4</b>          | <b>*87,080</b>        |
|                  | 22.0             | 80.8                | 114.3                 | *89,060               |                  | 24.0             | 80.6                | 124.1                 | *78,480               |
|                  | <b>24.0</b>      | <b>79.7</b>         | <b>114.0</b>          | <b>*80,020</b>        |                  | <b>26.0</b>      | <b>79.6</b>         | <b>123.8</b>          | <b>*71,200</b>        |
|                  | 26.0             | 78.7                | 113.6                 | *72,750               |                  | 28.0             | 78.6                | 123.4                 | *65,250               |
|                  | <b>28.0</b>      | <b>77.6</b>         | <b>113.2</b>          | <b>*66,790</b>        |                  | <b>30.0</b>      | <b>77.7</b>         | <b>123.0</b>          | <b>*60,180</b>        |
|                  | 30.0             | 76.5                | 112.7                 | *61,720               |                  | 32.0             | 76.7                | 122.5                 | *55,990               |
|                  | <b>32.0</b>      | <b>75.4</b>         | <b>112.2</b>          | <b>*57,310</b>        |                  | <b>34.0</b>      | <b>75.7</b>         | <b>122.0</b>          | <b>*52,240</b>        |
|                  | 34.0             | 74.4                | 111.7                 | 52,680                |                  | 36.0             | 74.7                | 121.5                 | 48,500                |
|                  | <b>36.0</b>      | <b>73.3</b>         | <b>111.1</b>          | <b>48,720</b>         |                  | <b>38.0</b>      | <b>73.7</b>         | <b>120.9</b>          | <b>44,970</b>         |
|                  | 38.0             | 72.2                | 110.5                 | 45,410                |                  | 40.0             | 72.7                | 120.3                 | 42,100                |
|                  | <b>40.0</b>      | <b>71.1</b>         | <b>109.8</b>          | <b>42,320</b>         |                  | <b>45.0</b>      | <b>70.2</b>         | <b>118.6</b>          | <b>35,930</b>         |
|                  | 45.0             | 68.3                | 107.9                 | 36,150                |                  | 50.0             | 67.6                | 116.7                 | 31,080                |
|                  | <b>50.0</b>      | <b>65.5</b>         | <b>105.8</b>          | <b>31,520</b>         |                  | <b>55.0</b>      | <b>65.0</b>         | <b>114.5</b>          | <b>27,330</b>         |
|                  | 55.0             | 62.6                | 103.4                 | 27,770                |                  | 60.0             | 62.3                | 112.0                 | 24,470                |
|                  | <b>60.0</b>      | <b>59.6</b>         | <b>100.6</b>          | <b>24,690</b>         |                  | <b>65.0</b>      | <b>59.6</b>         | <b>109.2</b>          | <b>21,820</b>         |
|                  | 65.0             | 56.5                | 97.4                  | 22,260                |                  | 70.0             | 56.8                | 106.1                 | 19,840                |
|                  | <b>70.0</b>      | <b>53.3</b>         | <b>93.9</b>           | <b>20,060</b>         |                  | <b>75.0</b>      | <b>53.9</b>         | <b>102.7</b>          | <b>18,070</b>         |
|                  | 75.0             | 49.9                | 89.9                  | 18,290                |                  | 80.0             | 50.8                | 98.7                  | 16,530                |
|                  | <b>80.0</b>      | <b>46.4</b>         | <b>85.4</b>           | <b>16,750</b>         |                  | <b>85.0</b>      | <b>47.7</b>         | <b>94.5</b>           | <b>15,210</b>         |
|                  | 85.0             | 42.7                | 80.3                  | 15,430                |                  | 90.0             | 44.3                | 89.5                  | 13,880                |
| <b>90.0</b>      | <b>38.6</b>      | <b>74.3</b>         | <b>14,320</b>         | <b>95.0</b>           | <b>40.8</b>      | <b>84.1</b>      | <b>13,000</b>       |                       |                       |
| 95.0             | 34.2             | 67.5                | 13,220                | 100.0                 | 36.9             | 77.8             | 12,120              |                       |                       |
| <b>100.0</b>     | <b>29.2</b>      | <b>59.4</b>         | <b>*12,120</b>        | <b>105.0</b>          | <b>32.7</b>      | <b>70.5</b>      | <b>11,240</b>       |                       |                       |
| 105.0            | 23.2             | 49.1                | *10,360               | 110.0                 | 27.9             | 61.9             | *10,140             |                       |                       |
|                  |                  |                     |                       | <b>115.0</b>          | <b>22.2</b>      | <b>51.1</b>      | <b>*8,590</b>       |                       |                       |

# CK1000 Lifting Capacity

## LIFT CRANE SERVICE

Refer to notes page 4.

3 Counterweights, 2 Carbody weights, Crawler Fully Extended

| Boom Length (ft) | Load Radius (ft) | Boom Angle (degree) | Boom Point Elev. (ft) | 360° Rated Load (lbs) | Boom Length (ft) | Load Radius (ft) | Boom Angle (degree) | Boom Point Elev. (ft) | 360° Rated Load (lbs) |
|------------------|------------------|---------------------|-----------------------|-----------------------|------------------|------------------|---------------------|-----------------------|-----------------------|
| <b>130</b>       | <b>24.0</b>      | <b>81.3</b>         | <b>134.2</b>          | <b>*71,860</b>        | <b>140</b>       | <b>24.0</b>      | <b>81.9</b>         | <b>144.3</b>          | <b>*61,720</b>        |
|                  | 26.0             | 80.4                | 133.9                 | *70,980               |                  | 26.0             | 81.1                | 144.0                 | *60,840               |
|                  | <b>28.0</b>      | <b>79.5</b>         | <b>133.5</b>          | <b>*65,030</b>        |                  | <b>28.0</b>      | <b>80.3</b>         | <b>143.7</b>          | <b>*59,960</b>        |
|                  | 30.0             | 78.6                | 133.2                 | *59,960               |                  | 30.0             | 79.4                | 143.3                 | *58,640               |
|                  | <b>32.0</b>      | <b>77.7</b>         | <b>132.7</b>          | <b>*55,550</b>        |                  | <b>32.0</b>      | <b>78.6</b>         | <b>143.0</b>          | <b>*54,450</b>        |
|                  | 34.0             | 76.8                | 132.3                 | *51,800               |                  | 34.0             | 77.8                | 142.6                 | *50,700               |
|                  | <b>36.0</b>      | <b>75.9</b>         | <b>131.8</b>          | <b>*48,500</b>        |                  | <b>36.0</b>      | <b>76.9</b>         | <b>142.1</b>          | <b>*47,390</b>        |
|                  | 38.0             | 75.0                | 131.3                 | 44,970                |                  | 38.0             | 76.1                | 141.6                 | *44,530               |
|                  | <b>40.0</b>      | <b>74.1</b>         | <b>130.7</b>          | <b>41,880</b>         |                  | <b>40.0</b>      | <b>75.2</b>         | <b>141.1</b>          | <b>41,660</b>         |
|                  | 45.0             | 71.8                | 129.2                 | 35,710                |                  | 45.0             | 73.1                | 139.7                 | 35,490                |
|                  | <b>50.0</b>      | <b>69.4</b>         | <b>127.4</b>          | <b>31,080</b>         |                  | <b>50.0</b>      | <b>71.0</b>         | <b>138.1</b>          | <b>30,860</b>         |
|                  | 55.0             | 67.1                | 125.5                 | 27,330                |                  | 55.0             | 68.8                | 136.2                 | 27,110                |
|                  | <b>60.0</b>      | <b>64.6</b>         | <b>123.1</b>          | <b>24,250</b>         |                  | <b>60.0</b>      | <b>66.6</b>         | <b>134.2</b>          | <b>24,030</b>         |
|                  | 65.0             | 62.2                | 120.7                 | 21,820                |                  | 65.0             | 64.3                | 131.9                 | 21,380                |
|                  | <b>70.0</b>      | <b>59.6</b>         | <b>117.8</b>          | <b>19,620</b>         |                  | <b>70.0</b>      | <b>62.0</b>         | <b>129.3</b>          | <b>19,400</b>         |
|                  | 75.0             | 57.0                | 114.7                 | 17,850                |                  | 75.0             | 59.7                | 126.6                 | 17,630                |
|                  | <b>80.0</b>      | <b>54.4</b>         | <b>111.4</b>          | <b>16,310</b>         |                  | <b>80.0</b>      | <b>57.2</b>         | <b>123.4</b>          | <b>16,090</b>         |
|                  | 85.0             | 51.6                | 107.6                 | 14,990                |                  | 85.0             | 54.8                | 120.1                 | 14,770                |
|                  | <b>90.0</b>      | <b>48.7</b>         | <b>103.4</b>          | <b>13,880</b>         |                  | <b>90.0</b>      | <b>52.2</b>         | <b>116.3</b>          | <b>13,440</b>         |
|                  | 95.0             | 45.7                | 98.7                  | 12,780                |                  | 95.0             | 49.6                | 112.3                 | 12,560                |
| <b>100.0</b>     | <b>42.5</b>      | <b>93.5</b>         | <b>11,900</b>         | <b>100.0</b>          | <b>46.8</b>      | <b>107.8</b>     | <b>11,460</b>       |                       |                       |
| 105.0            | 39.1             | 87.7                | 11,020                | 105.0                 | 43.9             | 102.8            | 10,800              |                       |                       |
| <b>110.0</b>     | <b>35.4</b>      | <b>81.0</b>         | <b>10,360</b>         | <b>110.0</b>          | <b>40.9</b>      | <b>97.4</b>      | <b>9,920</b>        |                       |                       |
| 115.0            | 31.4             | 73.4                | *9,470                | 115.0                 | 37.6             | 91.1             | 9,250               |                       |                       |
| <b>120.0</b>     | <b>26.8</b>      | <b>64.3</b>         | <b>*8,370</b>         | <b>120.0</b>          | <b>34.1</b>      | <b>84.2</b>      | <b>8,590</b>        |                       |                       |
| 125.0            | 21.3             | 52.9                | *7,050                | 125.0                 | 30.2             | 76.1             | *7,710              |                       |                       |
|                  |                  |                     |                       | <b>130.0</b>          | <b>25.8</b>      | <b>66.6</b>      | <b>*6,830</b>       |                       |                       |
|                  |                  |                     |                       | 135.0                 | 20.5             | 54.7             | *5,730              |                       |                       |
| <b>150</b>       | <b>26.0</b>      | <b>81.7</b>         | <b>154.2</b>          | <b>*52,680</b>        | <b>160</b>       | <b>28.0</b>      | <b>81.5</b>         | <b>164.0</b>          | <b>*44,090</b>        |
|                  | 28.0             | 80.9                | 153.8                 | *51,800               |                  | 30.0             | 80.8                | 163.7                 | *43,430               |
|                  | <b>30.0</b>      | <b>80.2</b>         | <b>153.5</b>          | <b>*51,140</b>        |                  | <b>32.0</b>      | <b>80.1</b>         | <b>163.3</b>          | <b>*42,760</b>        |
|                  | 32.0             | 79.4                | 153.2                 | *50,260               |                  | 34.0             | 79.3                | 162.9                 | *42,100               |
|                  | <b>34.0</b>      | <b>78.6</b>         | <b>152.8</b>          | <b>*49,600</b>        |                  | <b>36.0</b>      | <b>78.6</b>         | <b>162.6</b>          | <b>*41,440</b>        |
|                  | 36.0             | 77.8                | 152.3                 | *46,510               |                  | 38.0             | 77.9                | 162.2                 | *40,780               |
|                  | <b>38.0</b>      | <b>77.0</b>         | <b>151.9</b>          | <b>*43,650</b>        |                  | <b>40.0</b>      | <b>77.1</b>         | <b>161.7</b>          | <b>*40,340</b>        |
|                  | 40.0             | 76.3                | 151.4                 | *41,220               |                  | 45.0             | 75.3                | 160.5                 | 35,270                |
|                  | <b>45.0</b>      | <b>74.3</b>         | <b>150.1</b>          | <b>35,720</b>         |                  | <b>50.0</b>      | <b>73.4</b>         | <b>159.0</b>          | <b>30,640</b>         |
|                  | 50.0             | 72.3                | 148.6                 | 30,640                |                  | 55.0             | 71.5                | 157.4                 | 26,890                |
|                  | <b>55.0</b>      | <b>70.3</b>         | <b>146.9</b>          | <b>26,890</b>         |                  | <b>60.0</b>      | <b>69.6</b>         | <b>155.7</b>          | <b>23,800</b>         |
|                  | 60.0             | 68.2                | 145.0                 | 23,800                |                  | 65.0             | 67.7                | 153.7                 | 21,160                |
|                  | <b>65.0</b>      | <b>66.1</b>         | <b>142.8</b>          | <b>21,380</b>         |                  | <b>70.0</b>      | <b>65.8</b>         | <b>151.6</b>          | <b>19,180</b>         |
|                  | 70.0             | 64.0                | 140.5                 | 19,180                |                  | 75.0             | 63.8                | 149.3                 | 17,410                |
|                  | <b>75.0</b>      | <b>61.9</b>         | <b>138.0</b>          | <b>17,410</b>         |                  | <b>80.0</b>      | <b>61.8</b>         | <b>146.7</b>          | <b>15,870</b>         |
|                  | 80.0             | 59.7                | 135.2                 | 15,870                |                  | 85.0             | 59.7                | 143.8                 | 14,320                |
|                  | <b>85.0</b>      | <b>57.4</b>         | <b>132.1</b>          | <b>14,550</b>         |                  | <b>90.0</b>      | <b>57.6</b>         | <b>140.8</b>          | <b>13,220</b>         |
|                  | 90.0             | 55.1                | 128.7                 | 13,440                |                  | 95.0             | 55.4                | 137.4                 | 12,120                |
|                  | <b>95.0</b>      | <b>52.8</b>         | <b>125.2</b>          | <b>12,340</b>         |                  | <b>100.0</b>     | <b>53.2</b>         | <b>133.8</b>          | <b>11,240</b>         |
|                  | 100.0            | 50.3                | 121.1                 | 11,460                |                  | 105.0            | 51.0                | 130.0                 | 10,360                |
| <b>105.0</b>     | <b>47.8</b>      | <b>116.8</b>        | <b>10,580</b>         | <b>110.0</b>          | <b>48.6</b>      | <b>125.7</b>     | <b>9,700</b>        |                       |                       |
| 110.0            | 45.1             | 112.0               | 9,700                 | 115.0                 | 46.2             | 121.2            | 9,030               |                       |                       |
| <b>115.0</b>     | <b>42.3</b>      | <b>106.7</b>        | <b>9,030</b>          | <b>120.0</b>          | <b>43.6</b>      | <b>116.0</b>     | <b>8,370</b>        |                       |                       |
| 120.0            | 39.4             | 100.9               | 8,590                 | 125.0                 | 40.9             | 110.5            | 7,710               |                       |                       |
| <b>125.0</b>     | <b>36.3</b>      | <b>94.5</b>         | <b>7,930</b>          | <b>130.0</b>          | <b>38.1</b>      | <b>104.4</b>     | <b>7,270</b>        |                       |                       |
| 130.0            | 32.9             | 87.2                | *7,490                | 135.0                 | 35.1             | 97.1             | *6,830              |                       |                       |
| <b>135.0</b>     | <b>29.1</b>      | <b>78.7</b>         | <b>*6,610</b>         | <b>140.0</b>          | <b>31.8</b>      | <b>90.0</b>      | <b>*5,950</b>       |                       |                       |
| 140.0            | 24.9             | 68.9                | *5,730                | 145.0                 | 28.2             | 81.3             | *5,290              |                       |                       |
|                  |                  |                     |                       | <b>150.0</b>          | <b>24.1</b>      | <b>71.0</b>      | <b>*4,400</b>       |                       |                       |

# CK1000 Lifting Capacity

## LIFT CRANE SERVICE

Refer to notes page 4.

3 Counterweights, 2 Carbody weights, Crawler Fully Extended

| Boom Length (ft) | Load Radius (ft) | Boom Angle (degree) | Boom Point Elev. (ft) | 360° Rated Load (lbs) | Boom Length (ft) | Load Radius (ft) | Boom Angle (degree) | Boom Point Elev. (ft) | 360° Rated Load (lbs) |
|------------------|------------------|---------------------|-----------------------|-----------------------|------------------|------------------|---------------------|-----------------------|-----------------------|
| <b>170</b>       | <b>28.0</b>      | <b>82.0</b>         | <b>174.1</b>          | <b>*38,800</b>        | <b>180</b>       | <b>30.0</b>      | <b>81.8</b>         | <b>183.9</b>          | <b>*33,730</b>        |
|                  | 30.0             | 81.3                | 173.8                 | *38,130               |                  | 32.0             | 81.2                | 183.6                 | *33,060               |
|                  | <b>32.0</b>      | <b>80.6</b>         | <b>173.4</b>          | <b>*37,470</b>        |                  | <b>34.0</b>      | <b>80.5</b>         | <b>183.3</b>          | <b>*32,620</b>        |
|                  | 34.0             | 80.0                | 173.1                 | *37,030               |                  | 36.0             | 79.9                | 182.9                 | *31,960               |
|                  | <b>36.0</b>      | <b>79.3</b>         | <b>172.8</b>          | <b>*36,370</b>        |                  | <b>38.0</b>      | <b>79.2</b>         | <b>182.5</b>          | <b>*31,520</b>        |
|                  | 38.0             | 78.6                | 172.4                 | *35,710               |                  | 40.0             | 78.6                | 182.5                 | *31,080               |
|                  | <b>40.0</b>      | <b>77.9</b>         | <b>171.9</b>          | <b>*35,270</b>        |                  | <b>45.0</b>      | <b>77.0</b>         | <b>181.1</b>          | <b>*29,760</b>        |
|                  | 45.0             | 76.2                | 170.8                 | *33,950               |                  | 50.0             | 75.3                | 179.8                 | *28,650               |
|                  | <b>50.0</b>      | <b>74.4</b>         | <b>169.4</b>          | <b>30,420</b>         |                  | <b>55.0</b>      | <b>73.7</b>         | <b>178.5</b>          | <b>26,230</b>         |
|                  | 55.0             | 72.7                | 168.0                 | 26,670                |                  | 60.0             | 72.0                | 176.9                 | 23,360                |
|                  | <b>60.0</b>      | <b>70.9</b>         | <b>166.3</b>          | <b>23,580</b>         |                  | <b>65.0</b>      | <b>70.3</b>         | <b>175.2</b>          | <b>20,720</b>         |
|                  | 65.0             | 69.1                | 164.5                 | 20,940                |                  | 70.0             | 68.6                | 173.3                 | 18,730                |
|                  | <b>70.0</b>      | <b>67.3</b>         | <b>162.5</b>          | <b>18,950</b>         |                  | <b>75.0</b>      | <b>66.9</b>         | <b>171.3</b>          | <b>16,750</b>         |
|                  | 75.0             | 65.4                | 160.3                 | 17,190                |                  | 80.0             | 65.1                | 169.0                 | 15,210                |
|                  | <b>80.0</b>      | <b>63.6</b>         | <b>158.0</b>          | <b>15,650</b>         |                  | <b>85.0</b>      | <b>63.4</b>         | <b>166.6</b>          | <b>13,880</b>         |
|                  | 85.0             | 61.7                | 155.4                 | 14,100                |                  | 90.0             | 61.6                | 164.0                 | 12,780                |
|                  | <b>90.0</b>      | <b>59.7</b>         | <b>152.5</b>          | <b>13,000</b>         |                  | <b>95.0</b>      | <b>59.7</b>         | <b>161.1</b>          | <b>11,680</b>         |
|                  | 95.0             | 57.7                | 149.4                 | 11,900                |                  | 100.0            | 57.9                | 158.2                 | 10,800                |
|                  | <b>100.0</b>     | <b>55.7</b>         | <b>146.1</b>          | <b>11,020</b>         |                  | <b>105.0</b>     | <b>56.0</b>         | <b>154.9</b>          | <b>9,920</b>          |
|                  | 105.0            | 53.6                | 142.5                 | 10,140                |                  | 110.0            | 54.0                | 151.3                 | 9,030                 |
|                  | <b>110.0</b>     | <b>51.5</b>         | <b>138.7</b>          | <b>9,470</b>          |                  | <b>115.0</b>     | <b>52.0</b>         | <b>147.5</b>          | <b>8,370</b>          |
| 115.0            | 49.3             | 134.6               | 8,810                 | 120.0                 | 50.0             | 143.6            | 7,710               |                       |                       |
| <b>120.0</b>     | <b>47.1</b>      | <b>130.2</b>        | <b>8,150</b>          | <b>125.0</b>          | <b>47.8</b>      | <b>139.0</b>     | <b>7,270</b>        |                       |                       |
| 125.0            | 44.7             | 125.3               | 7,490                 | 130.0                 | 45.6             | 134.3            | 6,830               |                       |                       |
| <b>130.0</b>     | <b>42.2</b>      | <b>119.9</b>        | <b>7,050</b>          | <b>135.0</b>          | <b>43.4</b>      | <b>129.4</b>     | <b>6,170</b>        |                       |                       |
| 135.0            | 39.6             | 114.1               | 6,610                 | 140.0                 | 41.0             | 123.8            | 5,730               |                       |                       |
| <b>140.0</b>     | <b>36.9</b>      | <b>107.8</b>        | <b>*6,170</b>         | <b>145.0</b>          | <b>38.5</b>      | <b>117.7</b>     | <b>*5,290</b>       |                       |                       |
| 145.0            | 34.0             | 100.8               | *5,510                | 150.0                 | 35.8             | 111.0            | *4,850              |                       |                       |
| <b>150.0</b>     | <b>30.8</b>      | <b>92.7</b>         | <b>*4,850</b>         | <b>155.0</b>          | <b>33.0</b>      | <b>103.7</b>     | <b>*4,180</b>       |                       |                       |
| 155.0            | 27.3             | 83.7                | *4,180                | 160.0                 | 29.9             | 95.4             | *3,520              |                       |                       |
| <b>160.0</b>     | <b>23.3</b>      | <b>73.0</b>         | <b>*3,520</b>         | <b>165.0</b>          | <b>26.5</b>      | <b>86.0</b>      | <b>*3,080</b>       |                       |                       |
| <b>190</b>       | <b>32.0</b>      | <b>81.6</b>         | <b>193.7</b>          | <b>*29,540</b>        | <b>200</b>       | <b>34.0</b>      | <b>81.5</b>         | <b>203.5</b>          | <b>*25,790</b>        |
|                  | 34.0             | 81.0                | 193.4                 | *28,880               |                  | 36.0             | 80.9                | 203.2                 | *25,350               |
|                  | <b>36.0</b>      | <b>80.4</b>         | <b>193.1</b>          | <b>*28,430</b>        |                  | <b>38.0</b>      | <b>80.3</b>         | <b>202.9</b>          | <b>*24,910</b>        |
|                  | 38.0             | 79.8                | 192.7                 | *27,990               |                  | 40.0             | 79.7                | 202.5                 | *24,470               |
|                  | <b>40.0</b>      | <b>79.2</b>         | <b>192.4</b>          | <b>*27,550</b>        |                  | <b>45.0</b>      | <b>78.3</b>         | <b>201.6</b>          | <b>*23,360</b>        |
|                  | 45.0             | 77.6                | 191.3                 | *26,450               |                  | 50.0             | 76.8                | 200.4                 | *22,480               |
|                  | <b>50.0</b>      | <b>76.1</b>         | <b>190.1</b>          | <b>*25,350</b>        |                  | <b>55.0</b>      | <b>75.3</b>         | <b>199.2</b>          | <b>*21,380</b>        |
|                  | 55.0             | 74.5                | 188.8                 | *24,250               |                  | 60.0             | 73.8                | 197.8                 | *19,840               |
|                  | <b>60.0</b>      | <b>73.0</b>         | <b>187.4</b>          | <b>*22,700</b>        |                  | <b>65.0</b>      | <b>72.3</b>         | <b>196.2</b>          | <b>*18,510</b>        |
|                  | 65.0             | 71.4                | 185.8                 | 20,500                |                  | 70.0             | 70.8                | 194.6                 | *16,970               |
|                  | <b>70.0</b>      | <b>69.8</b>         | <b>184.0</b>          | <b>18,510</b>         |                  | <b>75.0</b>      | <b>69.3</b>         | <b>192.8</b>          | <b>*15,650</b>        |
|                  | 75.0             | 68.2                | 182.1                 | 16,750                |                  | 80.0             | 67.8                | 190.9                 | *14,550               |
|                  | <b>80.0</b>      | <b>66.5</b>         | <b>179.9</b>          | <b>15,210</b>         |                  | <b>85.0</b>      | <b>66.2</b>         | <b>188.7</b>          | <b>13,440</b>         |
|                  | 85.0             | 64.9                | 177.8                 | 13,660                |                  | 90.0             | 64.6                | 186.4                 | 12,340                |
|                  | <b>90.0</b>      | <b>63.2</b>         | <b>175.3</b>          | <b>12,560</b>         |                  | <b>95.0</b>      | <b>63.0</b>         | <b>183.9</b>          | <b>11,240</b>         |
|                  | 95.0             | 61.5                | 172.7                 | 11,460                |                  | 100.0            | 61.4                | 181.3                 | 10,360                |
|                  | <b>100.0</b>     | <b>59.7</b>         | <b>169.7</b>          | <b>10,580</b>         |                  | <b>105.0</b>     | <b>59.8</b>         | <b>178.5</b>          | <b>9,470</b>          |
|                  | 105.0            | 58.0                | 166.8                 | 9,700                 |                  | 110.0            | 58.1                | 175.5                 | 8,590                 |
|                  | <b>110.0</b>     | <b>56.2</b>         | <b>163.6</b>          | <b>9,030</b>          |                  | <b>115.0</b>     | <b>56.4</b>         | <b>172.3</b>          | <b>7,930</b>          |
|                  | 115.0            | 54.3                | 160.0                 | 8,370                 |                  | 120.0            | 54.6                | 168.7                 | 7,270                 |
|                  | <b>120.0</b>     | <b>52.5</b>         | <b>156.4</b>          | <b>7,710</b>          |                  | <b>125.0</b>     | <b>52.9</b>         | <b>165.2</b>          | <b>*6,610</b>         |
| 125.0            | 50.5             | 152.3               | 7,050                 | 130.0                 | 51.0             | 161.1            | *5,950              |                       |                       |
| <b>130.0</b>     | <b>48.5</b>      | <b>148.0</b>        | <b>6,610</b>          | <b>135.0</b>          | <b>49.2</b>      | <b>157.1</b>     | <b>*5,290</b>       |                       |                       |
| 135.0            | 46.5             | 143.5               | 6,170                 | 140.0                 | 47.2             | 152.4            | *4,620              |                       |                       |
| <b>140.0</b>     | <b>44.4</b>      | <b>138.6</b>        | <b>5,730</b>          | <b>145.0</b>          | <b>45.2</b>      | <b>147.6</b>     | <b>*4,180</b>       |                       |                       |
| 145.0            | 42.1             | 133.1               | *5,290                | 150.0                 | 43.2             | 142.6            | *3,520              |                       |                       |
| <b>150.0</b>     | <b>39.8</b>      | <b>127.3</b>        | <b>*4,850</b>         | <b>155.0</b>          | <b>41.0</b>      | <b>136.9</b>     | <b>*3,080</b>       |                       |                       |
| 155.0            | 37.4             | 121.1               | *4,180                |                       |                  |                  |                     |                       |                       |
| <b>160.0</b>     | <b>34.8</b>      | <b>114.1</b>        | <b>*3,740</b>         |                       |                  |                  |                     |                       |                       |
| 165.0            | 32.1             | 106.7               | *3,300                |                       |                  |                  |                     |                       |                       |

# CK1000 Jib Lifting Capacity

## LIFT CRANE SERVICE

Refer to notes page 4.

| 80 ft Boom       |                        |         |                        |         | 90 ft Boom             |     |                        |         |                  | 100 ft Boom            |         |                        |         |                        | 110 ft Boom |                        |         |                  |                        |     |                        |     |                        |     |                        |     |     |     |
|------------------|------------------------|---------|------------------------|---------|------------------------|-----|------------------------|---------|------------------|------------------------|---------|------------------------|---------|------------------------|-------------|------------------------|---------|------------------|------------------------|-----|------------------------|-----|------------------------|-----|------------------------|-----|-----|-----|
| Load Radius (ft) | 30 ft Jib Offset Angle |         | 40 ft Jib Offset Angle |         | 50 ft Jib Offset Angle |     | 60 ft Jib Offset Angle |         | Load Radius (ft) | 30 ft Jib Offset Angle |         | 40 ft Jib Offset Angle |         | 50 ft Jib Offset Angle |             | 60 ft Jib Offset Angle |         | Load Radius (ft) | 30 ft Jib Offset Angle |     | 40 ft Jib Offset Angle |     | 50 ft Jib Offset Angle |     | 60 ft Jib Offset Angle |     |     |     |
|                  | 10°                    | 30°     | 10°                    | 30°     | 10°                    | 30° | 10°                    | 30°     |                  | 10°                    | 30°     | 10°                    | 30°     | 10°                    | 30°         | 10°                    | 30°     |                  | 10°                    | 30° | 10°                    | 30° | 10°                    | 30° | 10°                    | 30° | 10° | 30° |
| 30               | *24,000                |         |                        |         |                        |     |                        |         | 32               | *24,000                |         |                        |         |                        |             |                        |         |                  | 30                     |     |                        |     |                        |     |                        |     |     |     |
| 32               | *24,000                |         |                        |         |                        |     |                        |         | 34               | *24,000                |         |                        |         |                        |             |                        |         |                  | 32                     |     |                        |     |                        |     |                        |     |     |     |
| 34               | *24,000                |         |                        | *24,000 |                        |     |                        |         | 36               | *24,000                |         |                        | *24,000 |                        |             |                        |         |                  | 34                     |     |                        |     |                        |     |                        |     |     |     |
| 36               | *24,000                |         |                        | *24,000 |                        |     |                        |         | 38               | *24,000                |         |                        | *24,000 |                        |             |                        |         |                  | 36                     |     |                        |     |                        |     |                        |     |     |     |
| 38               | *24,000                | *21,000 |                        | *24,000 |                        |     | *20,000                |         | 40               | *24,000                | *21,000 |                        | *24,000 |                        |             |                        |         |                  | 38                     |     |                        |     |                        |     |                        |     |     |     |
| 40               | *24,000                | *21,000 |                        | *24,000 |                        |     | *20,000                | *18,000 | 45               | *24,000                | *21,000 |                        | *24,000 |                        |             |                        |         |                  | 40                     |     |                        |     |                        |     |                        |     |     |     |
| 45               | *24,000                | *20,700 |                        | *24,000 | *15,360                |     | *20,000                | *18,000 | 50               | *24,000                | *20,100 |                        | *24,000 | *14,810                |             | *20,000                |         |                  | 45                     |     |                        |     |                        |     |                        |     |     |     |
| 50               | *24,000                | *19,510 |                        | *24,000 | *14,480                |     | *20,000                | *17,850 | 55               | *24,000                | *19,020 |                        | *23,890 | *14,020                |             | *19,550                | *11,300 |                  | 50                     |     |                        |     |                        |     |                        |     |     |     |
| 55               | *24,000                | *18,380 |                        | *22,480 | *13,640                |     | *18,560                | *11,080 | 60               | *24,000                | *18,120 |                        | *22,020 | *13,330                |             | *18,000                | *10,730 |                  | 55                     |     |                        |     |                        |     |                        |     |     |     |
| 60               | *24,000                | *17,500 |                        | *20,700 | *12,980                |     | *17,080                | *10,490 | 65               | *22,660                | *17,320 |                        | *20,410 | *12,360                |             | *16,730                | *10,250 |                  | 60                     |     |                        |     |                        |     |                        |     |     |     |
| 65               | 22,920                 | *16,710 |                        | *19,180 | *12,360                |     | *15,800                | *9,980  | 70               | 20,540                 | *16,620 |                        | *19,040 | *12,760                |             | *15,580                | *9,780  |                  | 65                     |     |                        |     |                        |     |                        |     |     |     |
| 70               | 20,810                 | *16,020 |                        | *17,870 | *11,830                |     | *14,720                | *9,540  | 75               | 18,620                 | *15,960 |                        | *17,760 | *12,230                |             | *14,520                | *9,360  |                  | 70                     |     |                        |     |                        |     |                        |     |     |     |
| 75               | 18,910                 | *15,380 |                        | *16,660 | *11,350                |     | *13,710                | *9,100  | 80               | 17,080                 | *15,430 |                        | *16,730 | *11,720                |             | *13,660                | *8,990  |                  | 75                     |     |                        |     |                        |     |                        |     |     |     |
| 80               | 17,370                 | *14,850 |                        | *15,670 | *10,930                |     | *12,870                | *8,730  | 85               | 15,760                 | *14,940 |                        | *15,800 | *11,300                |             | *12,890                | *8,680  |                  | 80                     |     |                        |     |                        |     |                        |     |     |     |
| 85               | 16,020                 |         |                        | *14,810 | *10,560                |     | *12,140                | *8,420  | 90               | 14,570                 |         |                        | *14,740 | *10,930                |             | *12,210                | *8,370  |                  | 85                     |     |                        |     |                        |     |                        |     |     |     |
| 90               | 14,850                 |         |                        | *14,040 | *10,250                |     | *11,500                | *8,130  | 95               | 13,470                 |         |                        | 13,620  | *10,580                |             | *11,570                | *8,110  |                  | 90                     |     |                        |     |                        |     |                        |     |     |     |
| 95               | 13,750                 |         |                        | *13,310 |                        |     | *10,890                | *7,840  | 100              | 12,540                 |         |                        | 12,690  | *10,270                |             | *11,020                | *7,870  |                  | 95                     |     |                        |     |                        |     |                        |     |     |     |
| 100              | 12,830                 |         |                        | *12,690 |                        |     | *10,360                | *7,620  | 105              | 11,700                 |         |                        | 11,860  |                        |             | *10,530                | *7,640  |                  | 100                    |     |                        |     |                        |     |                        |     |     |     |
| 105              |                        |         |                        | *12,120 |                        |     | *9,890                 |         | 110              |                        |         |                        | 10,080  |                        |             | *10,070                |         |                  | 105                    |     |                        |     |                        |     |                        |     |     |     |
| 110              |                        |         |                        | *12,350 |                        |     | *9,470                 |         | 115              |                        |         |                        | 10,360  |                        |             | *9,650                 |         |                  | 110                    |     |                        |     |                        |     |                        |     |     |     |
| 115              |                        |         |                        |         |                        |     | *9,080                 |         | 120              |                        |         |                        |         |                        |             | *9,300                 |         |                  | 115                    |     |                        |     |                        |     |                        |     |     |     |
| 120              |                        |         |                        |         |                        |     |                        |         | 125              |                        |         |                        |         |                        |             | *8,970                 |         |                  | 120                    |     |                        |     |                        |     |                        |     |     |     |
| 125              |                        |         |                        |         |                        |     |                        |         | 130              |                        |         |                        |         |                        |             |                        |         |                  | 125                    |     |                        |     |                        |     |                        |     |     |     |
|                  |                        |         |                        |         |                        |     |                        |         | 135              |                        |         |                        |         |                        |             |                        |         |                  | 130                    |     |                        |     |                        |     |                        |     |     |     |
|                  |                        |         |                        |         |                        |     |                        |         | 135              |                        |         |                        |         |                        |             |                        |         |                  | 135                    |     |                        |     |                        |     |                        |     |     |     |

# CK1000 Jib Lifting Capacity

## LIFT CRANE SERVICE

Refer to notes page 4.

| 120 ft Boom      |                        |                |                        |                |                        | 130 ft Boom    |                        |               |                  |                        |                |                        |                |                        |                |                        |               |
|------------------|------------------------|----------------|------------------------|----------------|------------------------|----------------|------------------------|---------------|------------------|------------------------|----------------|------------------------|----------------|------------------------|----------------|------------------------|---------------|
| Load Radius (ft) | 30 ft Jib Offset Angle |                | 40 ft Jib Offset Angle |                | 50 ft Jib Offset Angle |                | 60 ft Jib Offset Angle |               | Load Radius (ft) | 30 ft Jib Offset Angle |                | 40 ft Jib Offset Angle |                | 50 ft Jib Offset Angle |                | 60 ft Jib Offset Angle |               |
|                  | 10°                    | 30°            | 10°                    | 30°            | 10°                    | 30°            | 10°                    | 30°           |                  | 10°                    | 30°            | 10°                    | 30°            | 10°                    | 30°            | 10°                    | 30°           |
| 32               |                        |                |                        |                |                        |                |                        |               | 32               |                        |                |                        |                |                        |                |                        |               |
| 34               |                        |                |                        |                |                        |                |                        |               | 34               |                        |                |                        |                |                        |                |                        |               |
| 36               | <b>*24,000</b>         |                |                        |                |                        |                |                        |               | 36               |                        |                |                        |                |                        |                |                        |               |
| 38               | <b>*24,000</b>         |                |                        |                |                        |                |                        |               | 38               | <b>*24,000</b>         |                |                        |                |                        |                |                        |               |
| 40               | <b>*24,000</b>         |                |                        | <b>*24,000</b> |                        |                |                        |               | 40               | <b>*24,000</b>         |                |                        |                |                        |                |                        |               |
| 45               | <b>*24,000</b>         | <b>*21,000</b> | <b>*24,000</b>         |                | <b>*20,000</b>         |                |                        |               | 45               | <b>*24,000</b>         |                | <b>*24,000</b>         |                | <b>*20,000</b>         |                |                        |               |
| 50               | <b>*24,000</b>         | <b>*21,000</b> | <b>*24,000</b>         |                | <b>*20,000</b>         |                | <b>*18,000</b>         |               | 50               | <b>*24,000</b>         | <b>*21,000</b> | <b>*24,000</b>         |                | <b>*20,000</b>         |                | <b>*18,000</b>         |               |
| 55               | <b>*24,000</b>         | <b>*20,560</b> | <b>*24,000</b>         | <b>*14,880</b> | <b>*20,000</b>         |                | <b>*18,000</b>         |               | 55               | <b>*24,000</b>         | <b>*20,980</b> | <b>*24,000</b>         | <b>*15,100</b> | <b>*20,000</b>         |                | <b>*18,000</b>         |               |
| 60               | <b>*24,000</b>         | <b>*19,680</b> | <b>*24,000</b>         | <b>*14,240</b> | <b>*20,000</b>         | <b>*11,330</b> | <b>*17,720</b>         |               | 60               | <b>*24,000</b>         | <b>*20,120</b> | <b>*24,000</b>         | <b>*14,500</b> | <b>*20,000</b>         | <b>*11,480</b> | <b>*18,000</b>         |               |
| 65               | 21,970                 | <b>*18,910</b> | 22,240                 | <b>*13,690</b> | <b>*19,240</b>         | <b>*10,860</b> | <b>*16,460</b>         | <b>*9,080</b> | 65               | 21,730                 | <b>*19,350</b> | 22,000                 | <b>*13,930</b> | <b>*20,010</b>         | <b>*11,020</b> | <b>*17,100</b>         |               |
| 70               | <b>19,860</b>          | <b>*18,180</b> | <b>20,100</b>          | <b>*13,160</b> | <b>*18,010</b>         | <b>*10,420</b> | <b>*15,380</b>         | <b>*8,700</b> | 70               | <b>19,620</b>          | <b>*18,650</b> | <b>19,860</b>          | <b>*13,420</b> | <b>*18,760</b>         | <b>*10,620</b> | <b>*16,000</b>         | <b>*8,840</b> |
| 75               | 17,940                 | <b>*17,500</b> | 18,160                 | <b>*12,670</b> | <b>*16,840</b>         | <b>*10,030</b> | <b>*14,390</b>         | <b>*8,350</b> | 75               | 17,680                 | <b>*17,960</b> | 17,920                 | <b>*12,940</b> | <b>*17,570</b>         | <b>*10,200</b> | <b>*14,960</b>         | <b>*8,480</b> |
| 80               | <b>16,400</b>          | <b>16,790</b>  | <b>16,620</b>          | <b>*12,250</b> | <b>*15,890</b>         | <b>*9,670</b>  | <b>*13,550</b>         | <b>*8,040</b> | 80               | <b>16,130</b>          | <b>16,600</b>  | <b>16,350</b>          | <b>*12,520</b> | <b>16,530</b>          | <b>*9,850</b>  | <b>*14,100</b>         | <b>*8,170</b> |
| 85               | 15,050                 | 15,410         | 15,250                 | <b>*11,860</b> | <b>*15,030</b>         | <b>*9,340</b>  | <b>*12,780</b>         | <b>*7,730</b> | 85               | 14,790                 | 15,180         | 14,990                 | <b>*12,140</b> | 15,160                 | <b>*9,540</b>  | <b>*13,330</b>         | <b>*7,890</b> |
| 90               | <b>13,860</b>          | <b>14,170</b>  | <b>14,040</b>          | <b>*11,500</b> | <b>14,190</b>          | <b>*9,060</b>  | <b>*12,120</b>         | <b>*7,470</b> | 90               | <b>13,600</b>          | <b>13,950</b>  | <b>13,800</b>          | <b>*11,770</b> | <b>13,950</b>          | <b>*9,230</b>  | <b>*12,630</b>         | <b>*7,620</b> |
| 95               | 12,740                 | <b>13,020</b>  | 12,910                 | <b>*11,170</b> | 13,050                 | <b>*8,770</b>  | <b>*11,480</b>         | <b>*7,230</b> | 95               | 12,470                 | <b>12,780</b>  | 12,650                 | <b>*11,440</b> | 12,800                 | <b>*8,950</b>  | <b>*11,970</b>         | <b>*7,360</b> |
| 100              | <b>11,790</b>          | <b>12,050</b>  | <b>11,970</b>          | <b>*10,860</b> | <b>12,100</b>          | <b>*8,500</b>  | <b>*10,930</b>         | <b>*7,010</b> | 100              | <b>11,530</b>          | <b>11,810</b>  | <b>11,700</b>          | <b>*11,130</b> | <b>11,860</b>          | <b>*8,700</b>  | <b>*11,410</b>         | <b>*7,140</b> |
| 105              | 10,950                 | 11,170         | 11,130                 | <b>*10,600</b> | 11,260                 | <b>*8,280</b>  | <b>*10,420</b>         | <b>*6,790</b> | 105              | 10,690                 | 10,950         | 10,860                 | <b>*10,860</b> | 11,000                 | <b>*8,480</b>  | <b>*10,890</b>         | <b>*6,940</b> |
| 110              | <b>10,200</b>          |                | <b>10,360</b>          | <b>*10,360</b> | <b>10,490</b>          | <b>*8,060</b>  | <b>*9,960</b>          | <b>*6,610</b> | 110              | <b>9,940</b>           | <b>10,160</b>  | <b>10,090</b>          | <b>10,420</b>  | <b>10,220</b>          | <b>*8,260</b>  | <b>10,310</b>          | <b>*6,740</b> |
| 115              | 9,470                  |                | 9,630                  | 9,870          | 9,740                  | <b>*7,870</b>  | <b>*9,520</b>          | <b>*6,410</b> | 115              | 9,210                  |                | 9,360                  | 9,650          | 9,470                  | <b>*8,040</b>  | 9,560                  | <b>*6,560</b> |
| 120              | <b>8,860</b>           |                | <b>8,990</b>           |                | <b>9,100</b>           | <b>*7,690</b>  | <b>*9,140</b>          | <b>*6,260</b> | 120              | <b>8,570</b>           |                | <b>8,730</b>           | <b>8,990</b>   | <b>8,840</b>           | <b>*7,870</b>  | <b>8,920</b>           | <b>*6,390</b> |
| 125              | 8,280                  |                | 8,420                  |                | 8,530                  | <b>*7,530</b>  | 8,610                  | <b>*6,100</b> | 125              | 8,020                  |                | 8,150                  |                | 8,260                  | <b>*7,710</b>  | 8,350                  | <b>*6,230</b> |
| 130              | <b>*7,690</b>          |                | <b>7,890</b>           |                | <b>8,000</b>           |                | <b>8,060</b>           | <b>*5,970</b> | 130              | <b>7,490</b>           |                | <b>7,620</b>           |                | <b>7,730</b>           | <b>*7,560</b>  | <b>7,820</b>           | <b>*6,100</b> |
| 135              | <b>*6,830</b>          |                | <b>7,420</b>           |                | <b>7,510</b>           |                | <b>7,580</b>           | <b>*5,860</b> | 135              | <b>*6,940</b>          |                | <b>7,140</b>           |                | <b>7,250</b>           |                | <b>7,310</b>           | <b>*5,970</b> |
| 140              |                        |                | <b>*6,700</b>          |                | <b>7,030</b>           |                | <b>7,090</b>           |               | 140              | <b>*6,150</b>          |                | <b>6,670</b>           |                | <b>6,760</b>           |                | <b>6,830</b>           | <b>*5,860</b> |
| 145              |                        |                |                        |                | <b>*6,540</b>          |                | 6,670                  |               | 145              |                        |                | <b>*6,040</b>          |                | 6,340                  |                | 6,410                  |               |
| 150              |                        |                |                        |                | <b>*5,880</b>          |                | <b>6,300</b>           |               | 150              |                        |                | <b>*5,370</b>          |                | <b>*5,860</b>          |                | <b>6,040</b>           |               |
| 155              |                        |                |                        |                |                        |                | <b>*5,730</b>          |               | 155              |                        |                |                        |                | <b>*5,260</b>          |                | <b>*5,620</b>          |               |
| 160              |                        |                |                        |                |                        |                | <b>*5,090</b>          |               | 160              |                        |                |                        |                | <b>*4,650</b>          |                | <b>*5,040</b>          |               |
| 165              |                        |                |                        |                |                        |                |                        |               | 165              |                        |                |                        |                |                        |                | <b>*4,540</b>          |               |
| 170              |                        |                |                        |                |                        |                |                        |               | 170              |                        |                |                        |                |                        |                | <b>*4,010</b>          |               |

| 140 ft Boom      |                        |                |                        |                |                        | 150 ft Boom    |                        |               |                  |                        |                |                        |                |                        |                |                        |               |
|------------------|------------------------|----------------|------------------------|----------------|------------------------|----------------|------------------------|---------------|------------------|------------------------|----------------|------------------------|----------------|------------------------|----------------|------------------------|---------------|
| Load Radius (ft) | 30 ft Jib Offset Angle |                | 40 ft Jib Offset Angle |                | 50 ft Jib Offset Angle |                | 60 ft Jib Offset Angle |               | Load Radius (ft) | 30 ft Jib Offset Angle |                | 40 ft Jib Offset Angle |                | 50 ft Jib Offset Angle |                | 60 ft Jib Offset Angle |               |
|                  | 10°                    | 30°            | 10°                    | 30°            | 10°                    | 30°            | 10°                    | 30°           |                  | 10°                    | 30°            | 10°                    | 30°            | 10°                    | 30°            | 10°                    | 30°           |
| 40               | <b>*24,000</b>         |                |                        |                |                        |                |                        |               | 45               | <b>*24,000</b>         |                | <b>*24,000</b>         |                |                        |                |                        |               |
| 45               | <b>*24,000</b>         |                |                        |                |                        |                |                        |               | 50               | <b>*24,000</b>         | <b>*21,000</b> | <b>*24,000</b>         |                | <b>*20,000</b>         |                |                        |               |
| 50               | <b>*24,000</b>         | <b>*21,000</b> | <b>*24,000</b>         |                | <b>*20,000</b>         |                |                        |               | 55               | <b>*24,000</b>         | <b>*21,000</b> | <b>*24,000</b>         |                | <b>*20,000</b>         |                | <b>*18,000</b>         |               |
| 55               | <b>*24,000</b>         | <b>*21,000</b> | <b>*24,000</b>         | <b>*15,320</b> | <b>*20,000</b>         |                | <b>*18,000</b>         |               | 60               | 23,800                 | <b>*20,890</b> | <b>*24,000</b>         | <b>*14,920</b> | <b>*20,000</b>         |                | <b>*18,000</b>         |               |
| 60               | <b>23,980</b>          | <b>*20,540</b> | <b>*24,000</b>         | <b>*14,720</b> | <b>*20,000</b>         |                | <b>*18,000</b>         |               | 65               | <b>21,270</b>          | <b>*20,150</b> | <b>21,580</b>          | <b>*14,390</b> | <b>*20,000</b>         | <b>*11,330</b> | <b>*18,000</b>         |               |
| 65               | 21,450                 | <b>*19,770</b> | 21,730                 | <b>*14,170</b> | <b>*20,000</b>         | <b>*11,170</b> | <b>*17,700</b>         |               | 70               | 19,150                 | <b>*19,440</b> | 19,420                 | <b>*13,910</b> | 19,640                 | <b>*10,930</b> | <b>*17,120</b>         | <b>*9,060</b> |
| 70               | <b>19,330</b>          | <b>*19,060</b> | <b>19,590</b>          | <b>*13,690</b> | <b>*19,480</b>         | <b>*10,780</b> | <b>*16,570</b>         | <b>*8,950</b> | 75               | <b>17,210</b>          | <b>*17,810</b> | <b>17,480</b>          | <b>*13,420</b> | <b>17,680</b>          | <b>*10,530</b> | <b>*16,040</b>         | <b>*8,700</b> |
| 75               | 17,390                 | 17,940         | 17,650                 | <b>*13,180</b> | 17,850                 | <b>*10,380</b> | <b>*15,520</b>         | <b>*8,590</b> | 80               | 15,670                 | 16,200         | 15,890                 | <b>*13,000</b> | 16,090                 | <b>*10,200</b> | <b>*15,160</b>         | <b>*8,420</b> |
| 80               | <b>15,850</b>          | <b>16,330</b>  | <b>16,090</b>          | <b>*12,760</b> | <b>16,260</b>          | <b>*10,030</b> | <b>*14,630</b>         | <b>*8,310</b> | 85               | <b>14,300</b>          | <b>14,790</b>  | <b>14,520</b>          | <b>*12,630</b> | <b>14,700</b>          | <b>*9,870</b>  | <b>*14,350</b>         | <b>*8,130</b> |
| 85               | 14,480                 | 14,940         | 14,720                 | <b>*12,380</b> | 14,880                 | <b>*9,720</b>  | <b>*13,840</b>         | <b>*8,020</b> | 90               | 13,110                 | 13,530         | 13,310                 | <b>*12,270</b> | 13,490                 | <b>*9,590</b>  | 13,620                 | <b>*7,890</b> |
| 90               | <b>13,290</b>          | <b>13,690</b>  | <b>13,510</b>          | <b>*12,030</b> | <b>13,660</b>          | <b>*9,430</b>  | <b>*13,130</b>         | <b>*7,760</b> | 95               | <b>11,990</b>          | <b>12,360</b>  | <b>12,190</b>          | <b>*11,920</b> | <b>12,340</b>          | <b>*9,300</b>  | <b>12,450</b>          | <b>*7,620</b> |
| 95               | 12,160                 | 12,540         | 12,360                 | <b>*11,680</b> | 12,520                 | <b>*9,120</b>  | <b>*12,450</b>         | <b>*7,510</b> | 100              | 11,040                 | 11,390         | 11,240                 | <b>*11,610</b> | 11,390                 | <b>*9,060</b>  | 11,500                 | <b>*7,400</b> |
| 100              | <b>11,220</b>          | <b>11,550</b>  | <b>11,410</b>          | <b>*11,370</b> | <b>11,570</b>          | <b>*8,880</b>  | <b>11,680</b>          | <b>*7,270</b> | 105              | <b>10,200</b>          | <b>10,510</b>  | <b>10,380</b>          | <b>10,820</b>  | <b>10,530</b>          | <b>*8,810</b>  | <b>10,640</b>          | <b>*7,200</b> |
| 105              | 10,380                 | 10,690         | 10,580                 | 10,970         | 10,710                 | <b>*8,660</b>  | 10,820                 | <b>*7,070</b> | 110              | 9,430                  | 9,720          | 9,610                  | 10,030         | 9,760                  | <b>*8,590</b>  | 9,850                  | <b>*7,010</b> |
| 110              | <b>9,630</b>           | <b>9,890</b>   | <b>9,810</b>           | <b>10,180</b>  | <b>9,940</b>           | <b>*8,440</b>  | <b>10,050</b>          | <b>*6,870</b> | 115              | <b>8,700</b>           | <b>8,970</b>   | <b>8,860</b>           | <b>9,230</b>   | <b>9,010</b>           | <b>*8,390</b>  | <b>9,100</b>           | <b>*6,830</b> |
| 115              | 8,900                  | 9,120          | 9,060                  | 9,410          | 9,190                  | <b>*8,220</b>  | 9,300                  | <b>*6,700</b> | 120              | 8,090                  | 8,310          | 8,240                  | 8,570          | 8,370                  | <b>*8,200</b>  | 8,460                  | <b>*6,650</b> |
| 120              | <b>8,260</b>           | <b>8,480</b>   | <b>8,420</b>           | <b>8,730</b>   | <b>8,550</b>           | <b>*8,040</b>  | <b>8,660</b>           | <b>*6,520</b> | 125              | <b>7,510</b>           | <b>7,710</b>   | <b>7,670</b>           | <b>7,950</b>   | <b>7,780</b>           | <b>*8,020</b>  | <b>7,870</b>           | <b>*6,500</b> |
| 125              | 7,690                  |                | 7,840                  | 8,130          | 7,980                  | <b>*7,870</b>  | 8,060                  | <b>*6,370</b> | 130              | 6,980                  |                | 7,140                  | 7,400          | 7,250                  | 7,620          | 7,340                  | <b>*6,370</b> |
| 130              | <b>7,180</b>           |                | <b>7,310</b>           |                | <b>7,450</b>           | <b>*7,710</b>  | <b>7,530</b>           | <b>*6,230</b> | 135              | <b>6,500</b>           |                | <b>6,630</b>           |                | <b>6,740</b>           | <b>7,090</b>   | <b>6,830</b>           | <b>*6,210</b> |
| 135              | 6,700                  |                | 6,830                  |                | 6,940                  | 7,250          | 7,030                  | <b>*6,100</b> | 140              | <b>*6,010</b>          |                | 6,170                  |                | 6,260                  | 6,590          | 6,340                  | <b>*6,080</b> |
| 140              | <b>*6,060</b>          |                | <b>6,370</b>           |                | <b>6,450</b>           |                | <b>6,540</b>           | <b>*5,970</b> | 145              | <b>5,750</b>           |                | <b>5,750</b>           |                | <b>5,840</b>           |                | <b>5,930</b>           | <b>*5,970</b> |
| 145              | <b>*5,400</b>          |                | <b>*5,880</b>          |                | 6,040                  |                | 6,120                  | <b>*5,860</b> | 150              | <b>*4,820</b>          |                | <b>*5,220</b>          |                | 5,460                  |                | 5,530                  |               |
| 150              | <b>*4,760</b>          |                | <b>*5,290</b>          |                | <b>*5,640</b>          |                | <b>5,730</b>           |               | 155              | <b>*4,250</b>          |                | <b>*4,690</b>          |                | <b>*4,980</b>          |                | <b>*5,150</b>          |               |
| 155              |                        |                | <b>*4,690</b>          |                | <b>*5,090</b>          |                | <b>*5,350</b>          |               | 160              | <b>*3,650</b>          |                | <b>*4,140</b>          |                | <b>*4,450</b>          |                | <b>*4,670</b>          |               |
| 160              |                        |                | <b>*4,070</b>          |                | <b>*4,540</b>          |                | <b>*4,820</b>          |               | 165              |                        |                | <b>*3,610</b>          |                | <b>*3,990</b>          |                | <b>*4,230</b>          |               |
| 165              |                        |                |                        |                | <b>*4,010</b>          |                | <b>*4,340</b>          |               | 170              |                        |                |                        |                | <b>*3,520</b>          |                | <b>*3,790</b>          |               |
| 170              |                        |                |                        |                | <b>*3,500</b>          |                | <b>*3,880</b>          |               | 175              |                        |                |                        |                | <b>*3,060</b>          |                | <b>*3,370</b>          |               |
| 175              |                        |                |                        |                |                        |                | <b>*3,410</b>          |               |                  |                        |                |                        |                |                        |                |                        |               |



# CK1000 Jib Lifting Capacity

## LIFT CRANE SERVICE

Refer to notes page 4.

| 160 ft Boom      |                        |         |                        |         | 170 ft Boom            |         |                        |        |                  |                        |         |                        |         |                        |         |                        |        |
|------------------|------------------------|---------|------------------------|---------|------------------------|---------|------------------------|--------|------------------|------------------------|---------|------------------------|---------|------------------------|---------|------------------------|--------|
| Load Radius (ft) | 30 ft Jib Offset Angle |         | 40 ft Jib Offset Angle |         | 50 ft Jib Offset Angle |         | 60 ft Jib Offset Angle |        | Load Radius (ft) | 30 ft Jib Offset Angle |         | 40 ft Jib Offset Angle |         | 50 ft Jib Offset Angle |         | 60 ft Jib Offset Angle |        |
|                  | 10°                    | 30°     | 10°                    | 30°     | 10°                    | 30°     | 10°                    | 30°    |                  | 10°                    | 30°     | 10°                    | 30°     | 10°                    | 30°     | 10°                    | 30°    |
|                  | 45                     | *24,000 |                        |         |                        |         |                        |        |                  |                        | 40      |                        |         |                        |         |                        |        |
| 50               | *24,000                |         |                        | *24,000 |                        |         |                        |        | 45               | *24,000                |         |                        |         |                        |         |                        |        |
| 55               | *24,000                | *21,000 | *24,000                |         | *20,000                |         | *18,000                |        | 50               | *24,000                |         | *24,000                |         | *20,000                |         | *18,000                |        |
| 60               | 23,720                 | *21,000 | *24,000                | *15,120 | *20,000                |         | *18,000                |        | 55               | *24,000                | *21,000 | *24,000                |         | *20,000                |         | *18,000                |        |
| 65               | 21,180                 | *20,500 | 21,470                 | *14,590 | *20,000                | *11,400 | *18,000                |        | 60               | 23,500                 | *21,000 | 23,800                 | *15,290 | *20,000                |         | *18,000                |        |
| 70               | 19,040                 | 19,730  | 19,310                 | *14,100 | 19,530                 | *11,060 | *17,650                | *9,140 | 65               | 20,940                 | *20,830 | 21,250                 | *14,770 | *20,000                |         | *18,000                |        |
| 75               | 17,100                 | 17,720  | 17,370                 | *13,640 | 17,570                 | *10,670 | *16,570                | *8,810 | 70               | 18,820                 | 19,530  | 19,090                 | *14,300 | 19,310                 |         | *18,000                |        |
| 80               | 15,540                 | 16,090  | 17,580                 | *13,220 | 15,980                 | *10,330 | *15,670                | *8,530 | 75               | 16,880                 | 17,520  | 17,150                 | *13,840 | 17,350                 | *10,800 | *17,080                | *8,900 |
| 85               | 14,190                 | 14,680  | 14,410                 | *12,850 | 14,590                 | *10,030 | 14,700                 | *8,240 | 80               | 15,320                 | 15,890  | 15,560                 | *14,320 | 15,760                 | *10,490 | 15,890                 | *8,610 |
| 90               | 12,980                 | 13,440  | 13,200                 | *12,500 | 13,350                 | *9,740  | 13,490                 | *8,000 | 85               | 13,950                 | 14,480  | 14,170                 | *13,050 | 14,370                 | *10,180 | 14,500                 | *8,350 |
| 95               | 11,860                 | 12,270  | 12,050                 | *12,140 | 12,210                 | *9,450  | 12,340                 | *7,760 | 90               | 12,740                 | 13,240  | 12,960                 | *12,690 | 13,130                 | *9,890  | 13,270                 | *8,110 |
| 100              | 10,910                 | 11,280  | 11,110                 | 11,640  | 11,260                 | *9,210  | 11,370                 | *7,530 | 95               | 11,610                 | 12,050  | 11,810                 | *12,360 | 11,190                 | *9,610  | 12,100                 | *7,870 |
| 105              | 10,070                 | 10,400  | 10,250                 | 10,730  | 10,400                 | *8,970  | 10,490                 | *7,310 | 100              | 10,670                 | 11,080  | 10,860                 | 11,440  | 11,020                 | *9,360  | 11,150                 | *7,640 |
| 110              | 9,300                  | 9,610   | 9,470                  | 9,920   | 9,610                  | *8,770  | 9,720                  | *7,140 | 105              | 9,810                  | 10,200  | 10,000                 | 10,530  | 10,160                 | *9,120  | 10,270                 | *7,450 |
| 115              | 8,550                  | 8,840   | 8,730                  | 9,120   | 8,860                  | *8,550  | 8,970                  | *6,940 | 110              | 9,060                  | 9,390   | 9,230                  | 9,720   | 9,390                  | *8,900  | 9,470                  | *7,250 |
| 120              | 7,930                  | 8,200   | 8,090                  | 8,460   | 8,220                  | *8,350  | 8,310                  | *6,790 | 115              | 8,310                  | 8,610   | 8,480                  | 8,920   | 8,610                  | *8,680  | 8,730                  | *7,050 |
| 125              | 7,360                  | 7,580   | 7,510                  | 7,840   | 7,620                  | 8,090   | 7,730                  | *6,610 | 120              | 7,670                  | 7,980   | 7,840                  | 8,240   | 7,980                  | 8,500   | 8,090                  | *6,900 |
| 130              | 6,830                  | 7,030   | 6,960                  | 7,270   | 7,090                  | 7,510   | 7,180                  | *6,480 | 125              | 7,090                  | 7,360   | 7,270                  | 7,640   | 7,400                  | 7,890   | 7,490                  | *6,740 |
| 135              | 6,320                  |         | 6,480                  | 6,760   | 6,590                  | 6,980   | 6,670                  | *6,340 | 130              | 6,560                  | 6,810   | 6,720                  | 7,070   | 6,850                  | 7,310   | 6,940                  | *6,590 |
| 140              | 5,860                  |         | 5,990                  | 6,260   | 6,100                  | 6,450   | 6,190                  | *6,210 | 135              | 6,080                  | 6,300   | 6,230                  | 6,540   | 6,340                  | 6,760   | 6,450                  | *6,450 |
| 145              | *5,310                 |         | 5,570                  |         | 5,680                  | 5,990   | 5,770                  | *6,080 | 140              | 5,590                  |         | 5,750                  | 6,040   | 5,860                  | 6,260   | 5,950                  | *6,300 |
| 150              | *4,760                 |         | 5,090                  |         | 5,290                  | 5,570   | 5,370                  | 5,750  | 145              | *5,040                 |         | 5,290                  | 5,590   | 5,440                  | 5,790   | 5,530                  | 5,970  |
| 155              | *4,230                 |         | *4,580                 |         | *4,800                 |         | *4,960                 | 5,350  | 150              | *4,540                 |         | *4,780                 |         | *4,960                 | 5,370   | *5,070                 | 5,550  |
| 160              | *3,680                 |         | *4,050                 |         | *4,320                 |         | *4,490                 | 4,960  | 155              | *4,030                 |         | *4,320                 |         | *4,490                 | *4,930  | *4,620                 | 5,150  |
| 165              | *3,170                 |         | *3,590                 |         | *3,880                 |         | *4,050                 |        | 160              | *3,520                 |         | *3,810                 |         | *4,030                 |         | *4,160                 | *4,670 |
| 170              |                        |         | *3,100                 |         | *3,430                 |         | *3,650                 |        | 165              | *3,040                 |         | *3,370                 |         | *3,610                 |         | *3,760                 | *4,250 |
| 170              |                        |         |                        |         |                        |         |                        |        | 170              |                        |         |                        |         | *3,190                 |         | *3,370                 |        |
| 175              |                        |         |                        |         |                        |         |                        |        | 175              |                        |         |                        |         |                        |         |                        |        |

| 180 ft Boom      |                        |         |                        |         | 190 ft Boom            |         |                        |        |                  |                        |         |                        |         |                        |         |                        |         |
|------------------|------------------------|---------|------------------------|---------|------------------------|---------|------------------------|--------|------------------|------------------------|---------|------------------------|---------|------------------------|---------|------------------------|---------|
| Load Radius (ft) | 30 ft Jib Offset Angle |         | 40 ft Jib Offset Angle |         | 50 ft Jib Offset Angle |         | 60 ft Jib Offset Angle |        | Load Radius (ft) | 30 ft Jib Offset Angle |         | 40 ft Jib Offset Angle |         | 50 ft Jib Offset Angle |         | 60 ft Jib Offset Angle |         |
|                  | 10°                    | 30°     | 10°                    | 30°     | 10°                    | 30°     | 10°                    | 30°    |                  | 10°                    | 30°     | 10°                    | 30°     | 10°                    | 30°     | 10°                    | 30°     |
|                  | 32                     | *24,000 |                        |         |                        |         |                        |        |                  |                        | 45      |                        |         |                        |         |                        |         |
| 34               | *24,000                |         |                        |         |                        |         |                        |        | 50               | *19,440                |         |                        |         |                        |         |                        |         |
| 36               | *24,000                |         | *24,000                |         |                        |         |                        |        | 55               | *19,020                |         | *18,950                |         |                        |         |                        |         |
| 38               | *24,000                |         | *24,000                |         |                        |         |                        |        | 60               | *18,620                | *18,250 | *18,560                |         | *18,470                |         |                        | *18,000 |
| 40               | *24,000                |         | *24,000                |         | *20,000                |         |                        |        | 65               | *18,250                | *17,870 | *18,160                | *15,100 | *18,070                |         |                        | *17,960 |
| 45               | *24,000                | *21,000 | *24,000                |         | *20,000                |         | 18,000                 |        | 70               | *17,870                | *17,520 | *17,810                | *14,660 | *17,700                |         |                        | *17,590 |
| 50               | *24,000                | *20,650 | *24,000                | *15,100 | *20,000                |         | 18,000                 |        | 75               | 16,420                 | 17,150  | 16,710                 | *14,190 | 16,930                 | *11,040 | 17,080                 |         |
| 55               | *24,000                | *19,570 | *24,000                | *14,320 | *20,000                | *11,500 | *17,720                |        | 80               | 14,850                 | 15,520  | 15,120                 | *13,800 | 15,320                 | *10,730 | 15,470                 | *8,790  |
| 60               | *24,000                | *18,690 | *23,280                | *13,660 | *18,930                | *10,950 | *16,350                |        | 85               | 13,490                 | 14,080  | 13,730                 | *13,420 | 13,930                 | *10,420 | 14,060                 | *8,550  |
| 65               | 22,440                 | *17,900 | *21,620                | *13,090 | *17,590                | *10,470 | *15,160                | *8,810 | 90               | 12,270                 | 12,850  | 12,520                 | *13,090 | 12,690                 | *10,160 | 12,830                 | *8,310  |
| 70               | 20,320                 | *17,190 | *20,190                | *12,560 | *16,420                | *10,030 | *14,130                | *8,420 | 95               | 11,150                 | 11,660  | 11,370                 | 12,050  | 11,550                 | *9,870  | 11,680                 | *8,060  |
| 75               | 18,400                 | *16,510 | 18,620                 | *12,050 | *15,340                | *9,610  | *13,160                | *8,040 | 100              | 10,200                 | 10,670  | 10,420                 | 11,040  | 10,580                 | *9,630  | 10,710                 | *7,840  |
| 80               | 16,860                 | *15,960 | 17,060                 | *11,640 | *14,440                | *9,230  | *12,360                | *7,710 | 105              | 9,340                  | 9,780   | 9,540                  | 10,140  | 9,720                  | *9,410  | 9,830                  | *7,640  |
| 85               | 15,520                 | *15,450 | 15,710                 | *11,260 | *13,640                | *8,920  | *11,660                | *7,420 | 110              | 8,570                  | 8,970   | 8,770                  | 9,320   | 8,920                  | *9,190  | 9,030                  | *7,450  |
| 90               | 14,320                 | 14,570  | 14,500                 | *10,910 | *12,910                | *8,610  | *11,040                | *7,160 | 115              | 7,840                  | 8,200   | 8,020                  | 8,530   | 8,170                  | 8,810   | *8,260                 | *7,270  |
| 95               | 13,220                 | 13,420  | 13,380                 | *10,580 | *12,230                | *8,330  | *10,420                | *6,900 | 120              | 7,200                  | 7,530   | 7,380                  | 7,840   | 7,510                  | 8,130   | *7,580                 | *7,090  |
| 100              | 12,270                 |         | 12,450                 | *10,310 | *11,660                | *8,090  | *9,920                 | *6,670 | 125              | 6,630                  | 6,940   | 6,790                  | 7,230   | *6,900                 | 7,490   | *6,940                 | *6,940  |
| 105              | 11,460                 |         | 11,590                 |         | *11,150                | *7,870  | *9,450                 | *6,450 | 130              | *6,040                 | 6,370   | 6,190                  | 6,650   | *6,300                 | *6,870  | *6,370                 | *6,790  |
| 110              | 10,690                 |         | 10,840                 |         | *10,670                | *7,690  | *9,030                 | *6,280 | 135              | *5,460                 | *5,790  | *5,640                 | *6,080  | *5,750                 | *6,300  | *5,820                 | *6,480  |
| 115              | 9,980                  |         | 10,110                 |         | *10,200                |         | *8,610                 | *6,100 | 140              | *4,890                 | *5,220  | *5,070                 | *5,510  | *5,200                 | *5,730  | *5,260                 | *5,900  |
| 120              |                        |         | 9,470                  |         | 9,590                  |         | *8,280                 | *5,950 | 145              | *4,380                 | *4,690  | *4,580                 | *4,980  | *4,710                 | *5,220  | *4,780                 | *5,400  |
| 125              |                        |         | *8,860                 |         |                        | 9,010   | *7,950                 |        | 150              | *3,920                 | *4,210  | *4,120                 | *4,490  | *4,250                 | *4,730  | *4,340                 | *4,930  |
| 130              |                        |         |                        |         |                        | 8,480   | *7,670                 |        | 155              | *3,460                 |         | *4,030                 |         | *3,810                 | *4,290  | *3,900                 | *4,470  |
| 135              |                        |         |                        |         |                        | *7,800  | *7,400                 |        | 160              |                        |         | *3,210                 |         | *3,370                 | *3,830  | *3,480                 | *4,030  |
| 140              |                        |         |                        |         |                        |         | *7,140                 |        | 165              |                        |         |                        |         | *3,410                 | *3,080  | *3,610                 |         |
| 145              |                        |         |                        |         |                        |         | *6,810                 |        | 170              |                        |         |                        |         |                        |         | *3,240                 |         |

# CLAMSHELL

## Boom:

Welded lattice construction using tubular, high-tensile steel chords with pin connections between sections.

Basic boom length: 40 ft (12.2 m)

Max. boom length: 100 ft (30.5 m)

Limit on clamshell bucket weight: 4,600 lb (2,100 kg)

Optional tagline: hydraulic operated type and spring type

## Boom Component Chart

| Boom length ft (m) | Boom arrangement             |
|--------------------|------------------------------|
| 40 (12.2)          | Base-Tip                     |
| 50 (15.2)          | Base-A-Tip                   |
| 60 (18.3)          | Base-A-A-Tip, Base-B-Tip     |
| 70 (21.3)          | Base-A-B-Tip                 |
| 80 (24.4)          | Base-A-A-B-Tip, Base-B-B-Tip |
| 90 (27.4)          | Base-A-C-Tip                 |
| 100 (30.5)         | Base-A-A-C-Tip               |

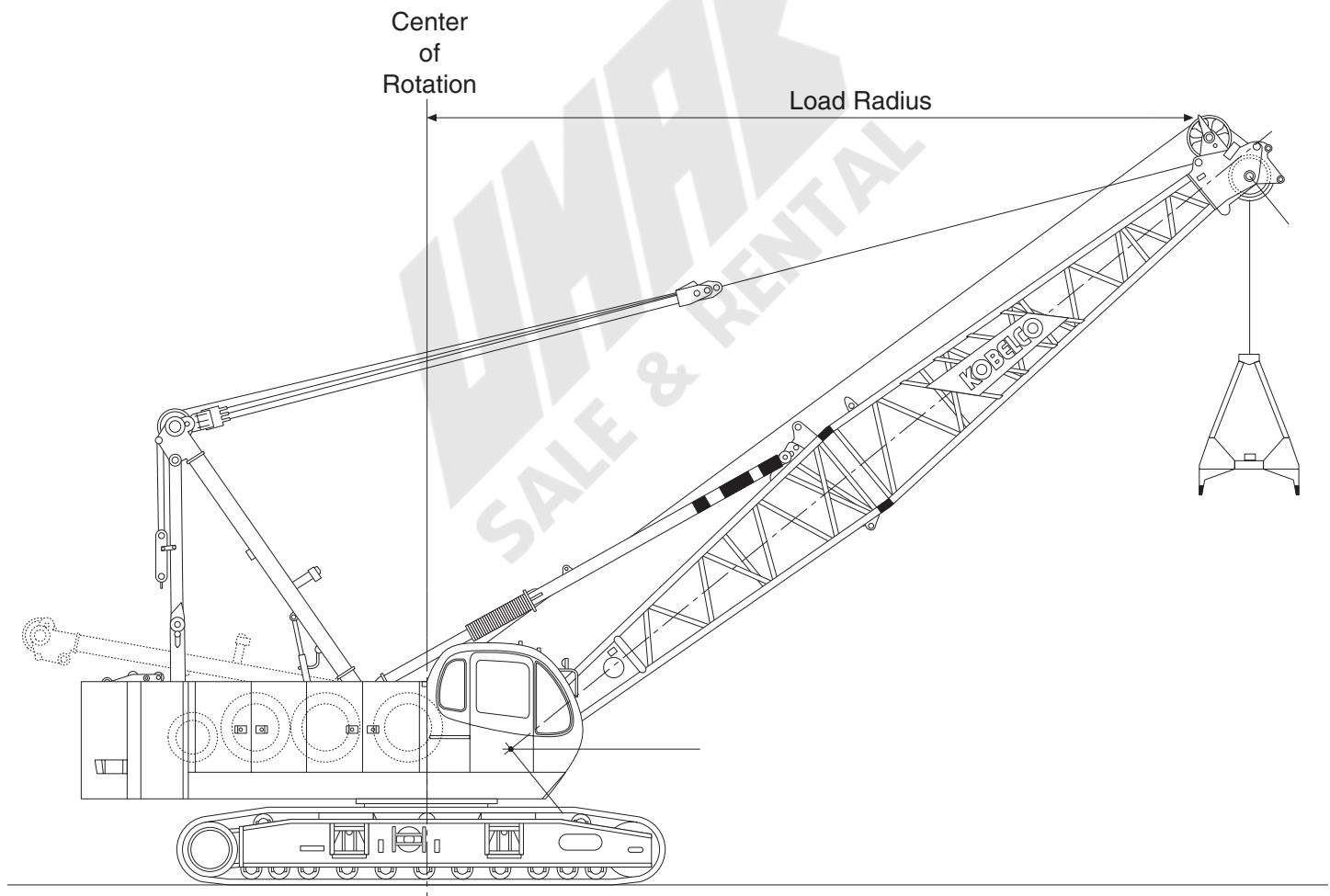
Base = 20 ft (6.10 m)

Insert: A = 10 ft (3.05 m)

B = 20 ft (6.10 m)

C = 40 ft (12.2 m)

Tip = 20 ft (6.10 m)



1. Figures represent maximum allowable capacity, and assume level, ground and ideal working conditions.
2. Capacities are calculated at 66% of the minimum tipping loads.
3. Capacities are maximum recommended by PCSA Standard #4. Allowances must be made by the user for such unfavorable conditions as a soft or uneven supporting surface, rapid cycle operations, or bucket suction.
4. The combined weight of the bucket and load must not exceed these capacities.
5. Boom length for clamshell operation should not exceed 100 ft (30.5 m).

# Rated Load

No. of Counterweight: 1 Position of Crawlers: Extended

| Boom Length (ft) | Load Radius (ft) | Boom Angle (degree) | Rated Load (lbs) | Boom Length (ft) | Load Radius (ft) | Boom Angle (degree) | Rated Load (lbs) |
|------------------|------------------|---------------------|------------------|------------------|------------------|---------------------|------------------|
| <b>40</b>        | <b>22</b>        | <b>63.7</b>         | <b>*22,000</b>   | <b>50</b>        | <b>26</b>        | <b>64.3</b>         | <b>*22,000</b>   |
|                  | 24               | 60.5                | *22,000          |                  | 28               | 61.7                | *22,000          |
|                  | <b>26</b>        | <b>57.1</b>         | <b>*22,000</b>   |                  | <b>30</b>        | <b>59.7</b>         | <b>*22,000</b>   |
|                  | 28               | 53.5                | *22,000          |                  | 32               | 56.3                | *22,000          |
|                  | <b>30</b>        | <b>49.8</b>         | <b>*22,000</b>   |                  | <b>34</b>        | <b>53.5</b>         | <b>*21,400</b>   |
|                  | 32               | 45.9                | *22,000          |                  | 36               | 50.5                | *20,200          |
|                  | <b>34</b>        | <b>41.7</b>         | <b>*21,400</b>   |                  | <b>38</b>        | <b>47.4</b>         | <b>*19,200</b>   |
|                  | 36               | 37.0                | *20,200          |                  | 40               | 44.2                | *18,200          |
|                  | <b>38</b>        | <b>31.8</b>         | <b>*19,200</b>   |                  | <b>42</b>        | <b>40.7</b>         | <b>*17,300</b>   |
| 40               | 25.7             | *18,200             | 44               | 37.0             | *16,500          |                     |                  |
|                  |                  |                     |                  | <b>46</b>        | <b>32.9</b>      | <b>*15,800</b>      |                  |
|                  |                  |                     |                  | 48               | 28.3             | *15,200             |                  |
| <b>60</b>        | <b>30</b>        | <b>64.6</b>         | <b>*22,000</b>   | <b>70</b>        | <b>34</b>        | <b>64.9</b>         | <b>*21,400</b>   |
|                  | 32               | 62.5                | *22,000          |                  | 36               | 63.1                | *20,200          |
|                  | <b>34</b>        | <b>60.3</b>         | <b>*21,400</b>   |                  | <b>38</b>        | <b>61.2</b>         | <b>*19,200</b>   |
|                  | 36               | 58.1                | *20,200          |                  | 40               | 59.3                | *18,200          |
|                  | <b>38</b>        | <b>55.8</b>         | <b>*19,200</b>   |                  | <b>42</b>        | <b>57.4</b>         | <b>*17,300</b>   |
|                  | 40               | 53.4                | *18,200          |                  | 44               | 55.4                | *16,500          |
|                  | <b>42</b>        | <b>51.0</b>         | <b>*17,300</b>   |                  | <b>46</b>        | <b>53.4</b>         | <b>*15,800</b>   |
|                  | 44               | 48.4                | *16,500          |                  | 48               | 51.3                | *15,200          |
|                  | <b>46</b>        | <b>45.8</b>         | <b>*15,800</b>   |                  | <b>50</b>        | <b>49.1</b>         | <b>*14,600</b>   |
|                  | 48               | 43.0                | *15,200          |                  | 52               | 46.9                | *14,600          |
|                  | <b>50</b>        | <b>40.1</b>         | <b>*14,600</b>   |                  | <b>54</b>        | <b>44.6</b>         | <b>*13,500</b>   |
|                  | 52               | 37.0                | *14,000          |                  | 56               | 42.2                | *13,000          |
|                  | <b>54</b>        | <b>33.6</b>         | <b>*13,500</b>   |                  | <b>58</b>        | <b>39.6</b>         | <b>*12,500</b>   |
| 56               | 29.9             | *13,000             | 60               | 37.0             | *12,100          |                     |                  |
| <b>58</b>        | <b>25.7</b>      | <b>*12,500</b>      | <b>62</b>        | <b>34.1</b>      | <b>*11,700</b>   |                     |                  |
|                  |                  |                     | 64               | 31.0             | *11,400          |                     |                  |
|                  |                  |                     | <b>66</b>        | <b>27.6</b>      | <b>*11,000</b>   |                     |                  |

# Rated Load

No. of Counterweight: 1 Position of Crawlers: Extended

| Boom Length (ft) | Load Radius (ft) | Boom Angle (degree) | Rated Load (lbs) | Boom Length (ft) | Load Radius (ft) | Boom Angle (degree) | Rated Load (lbs) |
|------------------|------------------|---------------------|------------------|------------------|------------------|---------------------|------------------|
| <b>80</b>        | <b>38</b>        | <b>65.1</b>         | <b>*19,200</b>   | <b>90</b>        | <b>42</b>        | <b>65.2</b>         | <b>*17,300</b>   |
|                  | 40               | 63.5                | *18,200          |                  | 44               | 63.8                | *16,500          |
|                  | <b>42</b>        | <b>61.9</b>         | <b>*17,300</b>   |                  | <b>46</b>        | <b>62.4</b>         | <b>*15,800</b>   |
|                  | 44               | 60.2                | *16,500          |                  | 48               | 60.9                | *15,200          |
|                  | <b>46</b>        | <b>58.6</b>         | <b>*15,800</b>   |                  | <b>50</b>        | <b>59.5</b>         | <b>*14,600</b>   |
|                  | 48               | 56.9                | *15,200          |                  | 52               | 58.0                | *14,000          |
|                  | <b>50</b>        | <b>55.1</b>         | <b>*14,600</b>   |                  | <b>54</b>        | <b>56.4</b>         | <b>*13,500</b>   |
|                  | 52               | 53.3                | *14,600          |                  | 56               | 54.9                | *13,900          |
|                  | <b>54</b>        | <b>51.5</b>         | <b>*13,500</b>   |                  | <b>58</b>        | <b>53.3</b>         | <b>*12,500</b>   |
|                  | 56               | 49.6                | *13,000          |                  | 60               | 51.7                | *12,100          |
|                  | <b>58</b>        | <b>47.7</b>         | <b>*12,500</b>   |                  | <b>62</b>        | <b>50.0</b>         | <b>*11,700</b>   |
|                  | 60               | 45.7                | *12,100          |                  | 64               | 48.3                | *11,400          |
|                  | <b>62</b>        | <b>43.7</b>         | <b>*11,700</b>   |                  | <b>66</b>        | <b>46.6</b>         | <b>*11,000</b>   |
|                  | 64               | 41.5                | *11,400          |                  | 68               | 46.6                | *10,700          |
|                  | <b>66</b>        | <b>39.3</b>         | <b>*11,000</b>   |                  | <b>70</b>        | <b>43.8</b>         | <b>*10,400</b>   |
|                  | 68               | 37.0                | *10,700          |                  | 72               | 41.0                | *10,100          |
| <b>70</b>        | <b>34.5</b>      | <b>*10,400</b>      | <b>74</b>        | <b>39.0</b>      | <b>9,700</b>     |                     |                  |
| 72               | 31.8             | *10,100             | 76               | 36.9             | 9,200            |                     |                  |
| <b>74</b>        | <b>28.9</b>      | <b>*9,800</b>       | <b>78</b>        | <b>34.7</b>      | <b>9,000</b>     |                     |                  |
| 76               | 25.7             | *9,400              | 80               | 32.4             | 8,500            |                     |                  |
|                  |                  |                     | <b>82</b>        | <b>29.9</b>      | <b>8,300</b>     |                     |                  |
|                  |                  |                     | 84               | 27.2             | 7,900            |                     |                  |
| <b>100</b>       | <b>46</b>        | <b>65.4</b>         | <b>*15,800</b>   |                  |                  |                     |                  |
|                  | 48               | 64.1                | *15,200          |                  |                  |                     |                  |
|                  | <b>50</b>        | <b>62.8</b>         | <b>*14,600</b>   |                  |                  |                     |                  |
|                  | 52               | 61.5                | *14,000          |                  |                  |                     |                  |
|                  | <b>54</b>        | <b>60.2</b>         | <b>*13,500</b>   |                  |                  |                     |                  |
|                  | 56               | 58.8                | *13,000          |                  |                  |                     |                  |
|                  | <b>58</b>        | <b>57.5</b>         | <b>*12,500</b>   |                  |                  |                     |                  |
|                  | 60               | 56.1                | *12,100          |                  |                  |                     |                  |
|                  | <b>64</b>        | <b>53.3</b>         | <b>*11,400</b>   |                  |                  |                     |                  |
|                  | 66               | 51.8                | *11,000          |                  |                  |                     |                  |
|                  | <b>68</b>        | <b>50.4</b>         | <b>*10,700</b>   |                  |                  |                     |                  |
|                  | 70               | 48.8                | 10,300           |                  |                  |                     |                  |
|                  | <b>72</b>        | <b>47.3</b>         | <b>9,900</b>     |                  |                  |                     |                  |
|                  | 74               | 45.7                | 9,400            |                  |                  |                     |                  |
|                  | <b>76</b>        | <b>44.1</b>         | <b>9,000</b>     |                  |                  |                     |                  |
|                  | 78               | 42.4                | 8,800            |                  |                  |                     |                  |
| <b>80</b>        | <b>40.6</b>      | <b>8,300</b>        |                  |                  |                  |                     |                  |
| 82               | 38.8             | 8,100               |                  |                  |                  |                     |                  |
| <b>84</b>        | <b>36.9</b>      | <b>7,700</b>        |                  |                  |                  |                     |                  |
| 86               | 35.0             | 7,400               |                  |                  |                  |                     |                  |
| <b>88</b>        | <b>32.9</b>      | <b>7,200</b>        |                  |                  |                  |                     |                  |
| 90               | 30.7             | 7,000               |                  |                  |                  |                     |                  |
| <b>92</b>        | <b>28.3</b>      | <b>6,800</b>        |                  |                  |                  |                     |                  |
| 94               | 25.8             | 6,600               |                  |                  |                  |                     |                  |

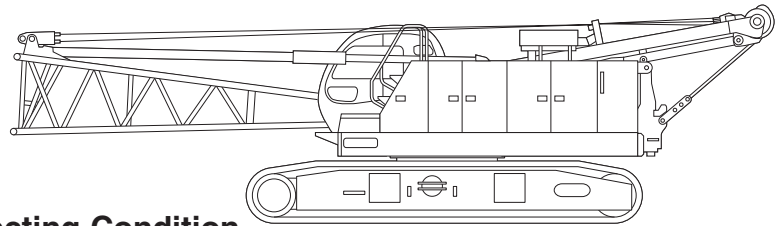
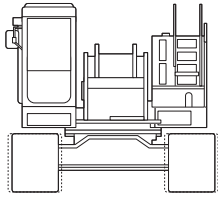
# TRANSPORTATION

## ■CK1000 Transportation Style 1

Base Machine, Boom Base with Crawlers

Weight: 99,770 lbs (45,250 kg)

Dimensions: 11' 4" height × 11' 10" width × 39' 11" length (3,450 mm × 3,610 mm × 12,170 mm)

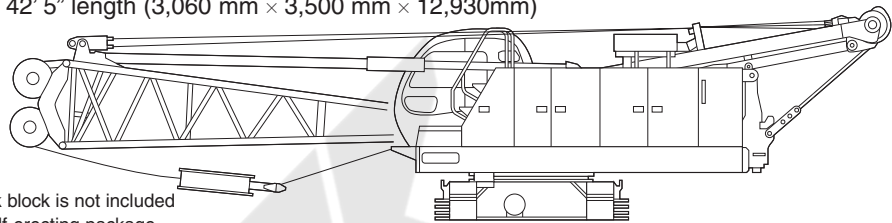
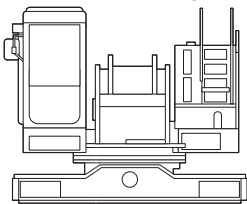


## ■CK1000 Transportation Style 2 Self-Erecting Condition

Base Machine, Boom Base without Crawlers

Weight: 71,100 lbs (32,250 kg)

Dimensions: 10' 0" height × 11' 6" width × 42' 5" length (3,060 mm × 3,500 mm × 12,930 mm)



Hook block is not included in self-erecting package

## ■CK1000 Transportation Style 3

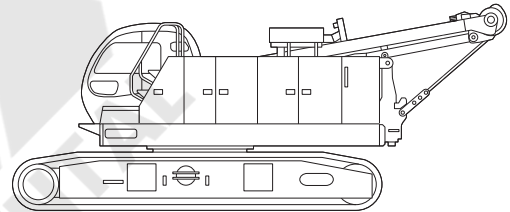
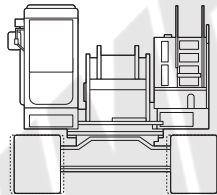
Base Machine with Crawlers

Weight:

96,780 lbs (43,900 kg)

Dimensions:

11' 4" height × 11' 10" width × 27' 7" length (3,450 mm × 3,610 mm × 8,410 mm)

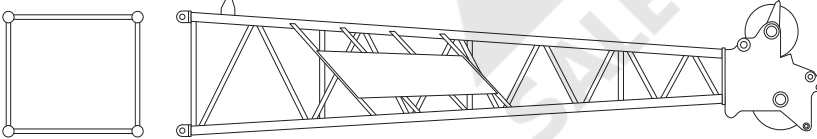


## ■Booms

Boom Tip:

2,580 lbs (1,170 kg)

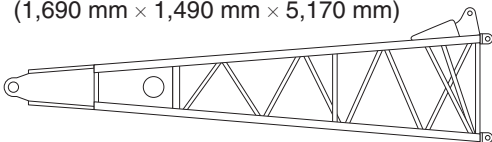
4' 10" height × 4' 11" width × 22' 8" length (1,480 mm × 1,505 mm × 6,910 mm)



Boom Base:

2,510 lbs (1,140 kg)

5' 7" height × 4' 11" width × 19' 7" length (1,690 mm × 1,490 mm × 5,170 mm)

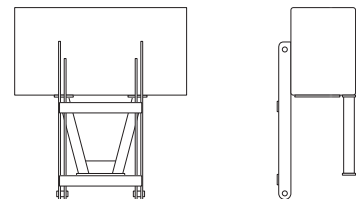


## ■Carbody Counterweights

Carbody Counterweights:

4,410 lbs (2,000 kg) × 2

1' 11" height × 4' 3" width × 4' 9" length (590 mm × 1,300 mm × 1,450 mm)



## ■Counterweights

Counterweight (A)

Weight: 27,300 lbs (12,400 kg)

5' 6" height × 1' 11" width × 11' 10" length (1,670 mm × 570 mm × 3,600 mm)

Counterweight (B)

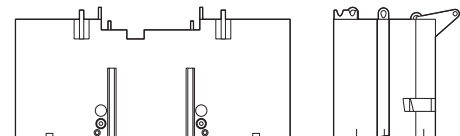
Weight: 8,160 lbs (3,700 kg)

Dimensions: 5' 6" height × 1' width × 11' 10" length (1,660 mm × 300 mm × 3,600 mm)

Counterweight (C)

Weight: 27,560 lbs (12,500 kg)

Dimensions: 5' 4" height × 3' width × 11' 10" length (1,640 mm × 910 mm × 3,600 mm)



(A) (B) (C)

## ■Other Attachments

| Attachment        | Weights            | Dimensions (H × W × L)                                    |
|-------------------|--------------------|---|
| 10ft Insert Boom: | 680 lbs (310 kg)   | 4' 3" × 4' 11" × 10' 5" (1,290 mm × 1,490 mm × 3,165 mm)  |
| 20ft Insert Boom: | 1,150 lbs (520 kg) | 4' 3" × 4' 11" × 20' 4" (1,290 mm × 1,490 mm × 6,210 mm)  |
| 40ft Insert Boom: | 2,120 lbs (960 kg) | 4' 3" × 4' 11" × 40' 4" (1,290 mm × 1,490 mm × 12,305 mm) |
| Jib Tip:          | 620 lbs (280 kg)   | 2' 7" × 2' 7" × 16' 3" (790 mm × 790 mm × 4,960 mm)       |
| Jib Base:         | 440 lbs (200 kg)   | 2' 7" × 2' 7" × 15' 9" (790 mm × 790 mm × 4,810 mm)       |
| 10ft Insert Jib:  | 220 lbs (100 kg)   | 2' 7" × 2' 7" × 10' 3" (790 mm × 790 mm × 3,120 mm)       |
| 20ft Insert Jib:  | 400 lbs (180 kg)   | 2' 7" × 2' 7" × 20' 3" (790 mm × 790 mm × 6,160 mm)       |
| Jib Strut         | 550 lbs (250 kg)   | 2' 2" × 2' 9" × 11' 11" (620 mm × 840 mm × 3,620 mm)      |
| Upper Spreader:   | 600 lbs (270 kg)   | 2' 3" × 10.6" × 5' 2" (680 mm × 270 mm × 1,580 mm)        |



# CK1000

---

UMAK  
SALE & RENTAL

**Note:** Due to our policy of continual product improvements all designs and specifications are subject to change without advance notice.

---

**KOBELCO CONSTRUCTION MACHINERY CO., LTD.**

3-13, Nihonbashi 1-chome, Chuo-ku, Tokyo, 103-0027 JAPAN  
Tel: ++81(0) 3-3278-7123 Fax: ++81 (0) 3-3278-7142

**KOBELCO AMERICA INC.**

12755 South Kirkwood Drive Stafford, Texas 77477 U.S.A.  
Tel: (281) 240-4800 Fax: (281) 240-4906  
[www.kobelcoamerica.com](http://www.kobelcoamerica.com)